

VIN PLATE DECODING INFORMATION

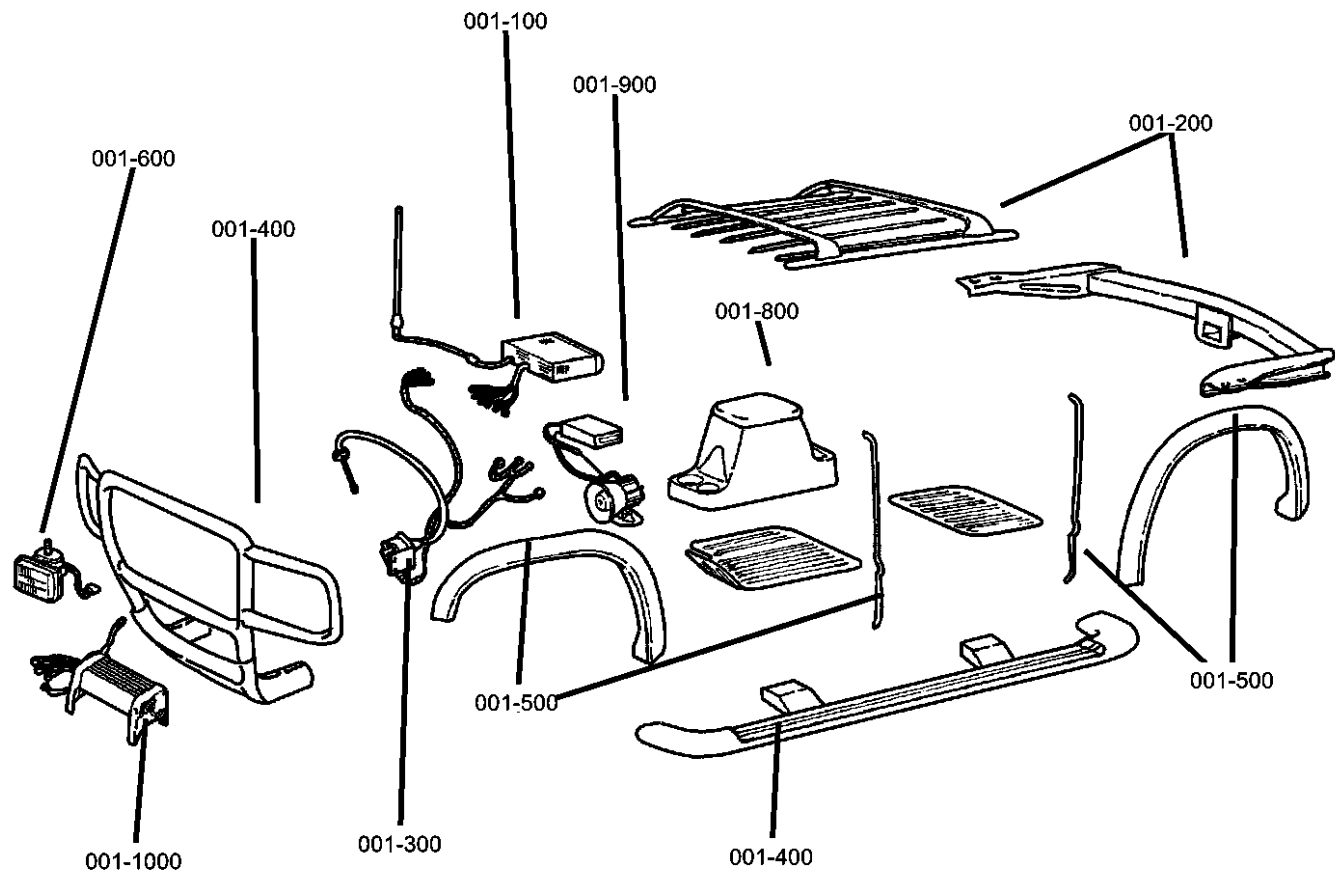
1	2	3	4	5	6	7	8	9	10	11	12 thru 17
Country	Make	Vehicle Type	Other	Line	Series	Body Style	Engine	Check Digit	Model Year	Assy. Plant	Sequence No.

The following table interprets the VIN Plate position shown above.

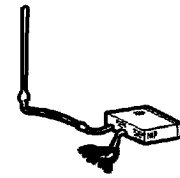
Position	Interpretation	Codes = Description
1	Country of Origin	1 = USA
2	Assembler	J = Jeep
3	Vehicle Type	4 = Multipurpose Passenger Vehicle
4	GVWR & Pass. Safety	D = 0 - 1360 kg (0 - 3000 lbs) E = 1360 - 1814 kg (3001 - 4000 lbs) F = 1815 - 2267 kg (4001 - 5000 lbs) G = 2268 - 2721 kg (5001 - 6000 lbs) H = 2722 - 3175 kg (6001 - 7000 lbs)
5	Vehicle Line	A = Wrangler 4x4 Left Hand Drive 4 = Wrangler 4x4 Right Hand Drive
6	Series	2 = SE 4 = Sport 5 = Sahara
7	Body Style	9 = Open Body
8	Engine	H = 2.5L Gas Leaded (EPE) P = 2.5L Gas Unleaded (EPE) V = 4.0L Gas Leaded (ERH) S = 4.0L Gas Unleaded (ERH)
9	Check Digit	0 = Check Digit 0 = Check Digit
10	Model Year	Y = 2000
11	Assembly Plant	P = Toledo #2
12 thru 17	Vehicle Build Sequence	Model Year Assembly Sequence

Group - 1

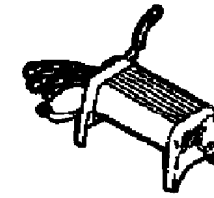
Component Parts for Mopar Accessories



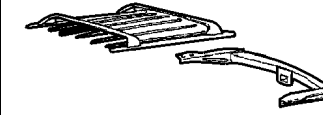
001-100
Audio & Electronics



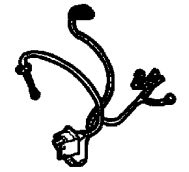
001-1000
4 - Wheeling & Off Road



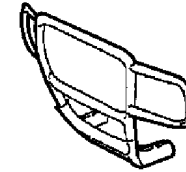
001-200
Carriers & Cargo Hauling



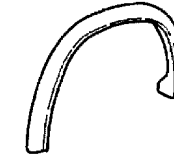
001-300
Driving Convenience



001-400
Exterior Appearance



001-500
Exterior Protection



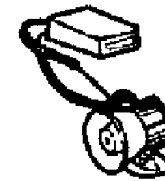
001-600
Fog Lights & Electrical



001-800
Interior Storage



001-900
Security



Group - 1 Component Parts for Mopar Accessories

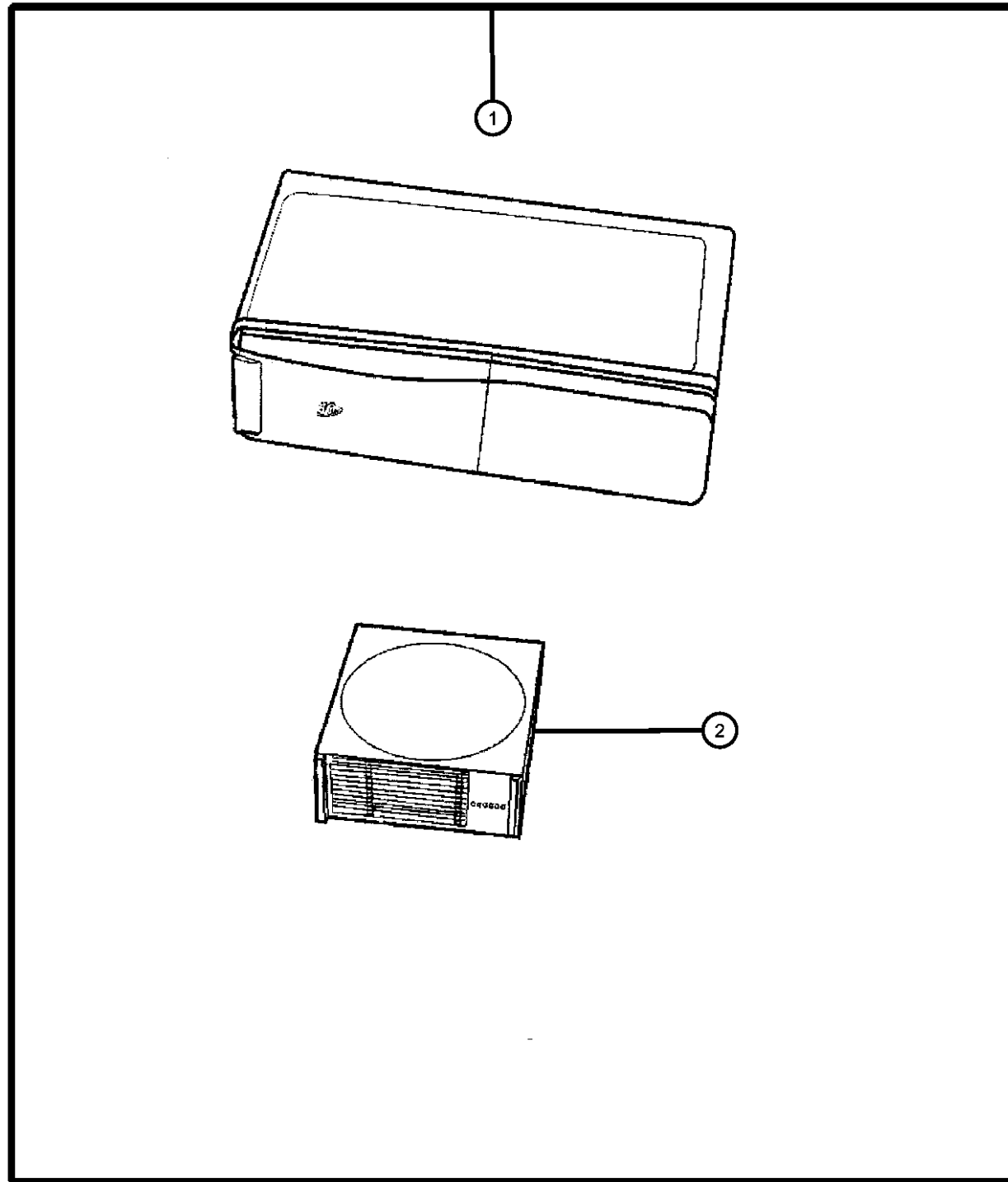
Illustration Title	Group-Fig. No.
Audio & Electronics	
Player Kit - 6 Disc	Fig. 1 - 110
Player Kit - 12 Disc	Fig. 1 - 120
Antenna Kit	Fig. 1 - 150
Speaker Kit - Radio	Fig. 1 - 160
Carriers & Cargo Hauling	
Mounting Kit - Tonneau	Fig. 1 - 210
Bike Carrier - Hitch Mount	Fig. 1 - 220
Trailer Tow - Receiver Kit	Fig. 1 - 250
Driving Convenience	
Speed Control Kit	Fig. 1 - 310
Exterior Appearance	
Bumper Kit - Front	Fig. 1 - 410
Bumper Kit - Rear	Fig. 1 - 420
Extension Kit - Bumper	Fig. 1 - 430
Side Step Kit	Fig. 1 - 440
Exterior Protection	
Shield Kit - Air	Fig. 1 - 510
Trim Kit - Door	Fig. 1 - 520
Molding Kit - Rocker Guard	Fig. 1 - 530
Hardware Package - Door	Fig. 1 - 540
Hardtop Wiring Kit	Fig. 1 - 550
Fog Lights & Electrical	
Light Kit - Fog	Fig. 1 - 610
Light Kit - Off Road	Fig. 1 - 620
Wiring Kit - Auxiliary Lights	Fig. 1 - 630
Installation Package - Lights	Fig. 1 - 642
Heater Kit - Engine Block	Fig. 1 - 650
Interior Storage	
Console Kit - Floor	Fig. 1 - 820
Security	
Alarm - EVS Base System	Fig. 1 - 910
4 - Wheeling & Off Road	
Guard - Rock Rails	Fig. 1 - 1020
Winch Kit - Power	Fig. 1 - 1030

Player Kit - 6 Disc
Figure 1-110

ITEM	PART NUMBER	QTY	LINE	SERIES	BODY	ENGINE	TRANS	TRIM	DESCRIPTION
------	-------------	-----	------	--------	------	--------	-------	------	-------------

NOTE; Use with CD-Controlled radios. For radios without CD Changer controls, use FM-Modulator Kit 82202292

1	82202700	1							PLAYER KIT, CD Changer - 6 Disc
2	04797433	1							MAGAZINE, CD Changer



WRANGLER (TJ)

SERIES LINE

H = Sport

L = SE

P = Sahara

J = Wrangler 4WD

U = Wrangler 4WD (RHD)

BODY

77 = 93.4 WB

ENGINE

EPE = ENGINE - 2.5L POWER TECH I-4 Cyl.

ERH = ENGINE - 4.0L POWER TECH I-6

TRANSMISSION

DDD = TRANSMISSION - 5-SPEED HD MANUAL

DDQ = TRANSMISSION - 5-SPEED MANUAL

DGD = TRANSMISSION - 3-SPD. AUTOMATIC,30RH

DGG = TRANSMISSION - 3-SPD. AUTOMATIC,32RH

DG0 = All Automatic Transmissions

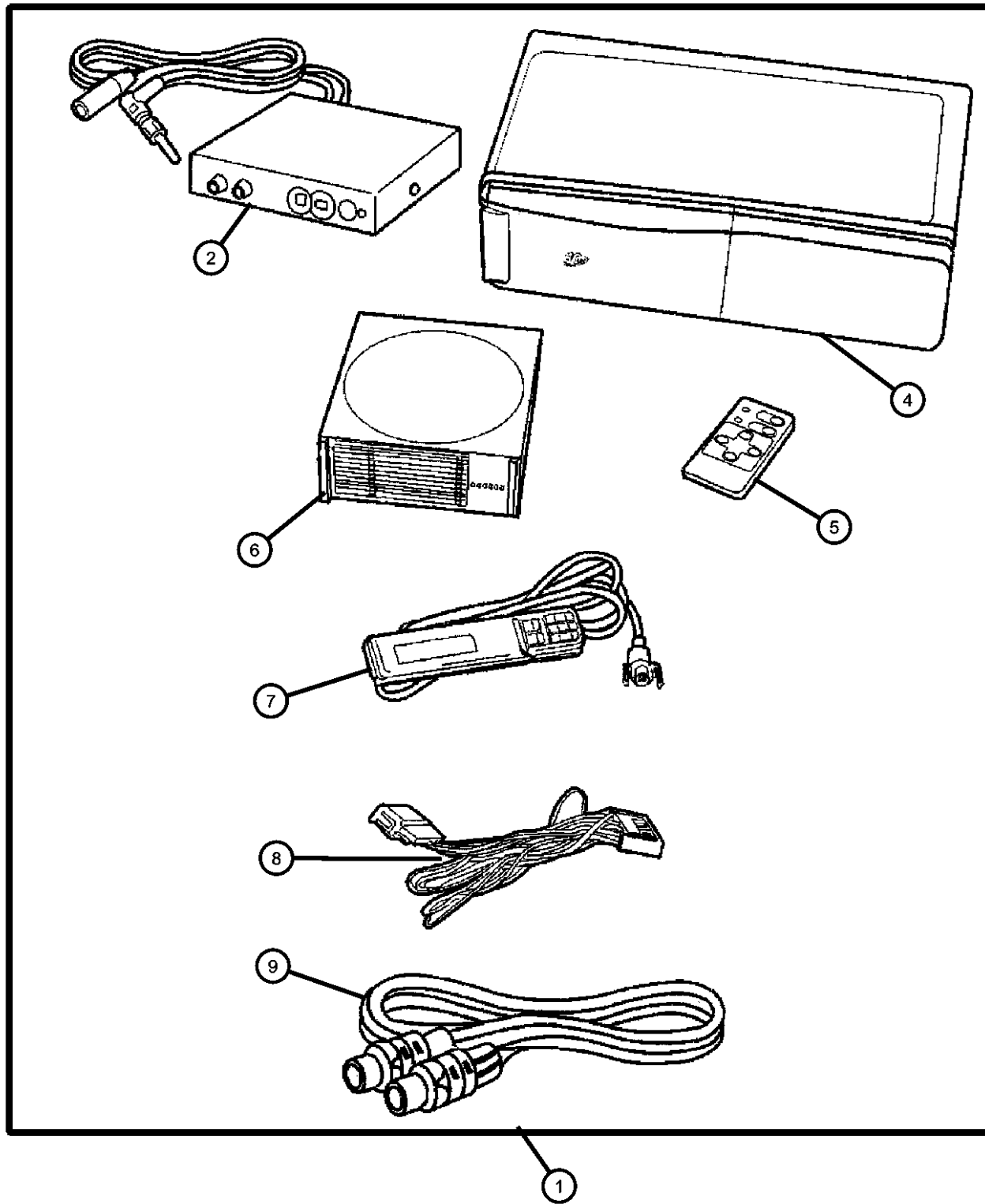
DBB = All Manual Transmissions

DD0 = All 5 Speed Manual Transmissions

AR = use ase required - = Non illustrated part

2000 TJ

Player Kit - 12 Disc
Figure 1-120



ITEM	PART NUMBER	QTY	LINE	SERIES	BODY	ENGINE	TRANS	TRIM	DESCRIPTION
1	82204730	1	J		77				PLAYER KIT, CD Changer - 12 Disc
2	05013804AA	1	J		77				MODULATOR, FM
-3	05013800AA	1	J		77				HARDWARE KIT, Mounting
4	05013806AA	1	J		77				CHANGER, CD
5	05013802AA	1	J		77				CONTROLLER, CD Wireless
6	05013805AA	1	J		77				MAGAZINE, CD Changer
7	05013803AA	1	J		77				CONTROLLER, CD Wired
8	04465117	1	J		77				ADAPTOR, A/C
9	05013801AA	1	J		77				DIN CORD, CD Player

NOTE: For radio without CD controls. Pentastar Logo, Includes RF Modulator, Power Cord, Din Cord, Hand Held and IR Remote Controller and

WRANGLER (TJ)

SERIES LINE
H = Sport J = Wrangler 4WD
L = SE U = Wrangler 4WD (RHD)
P = Sahara

BODY
77 = 93.4 WB

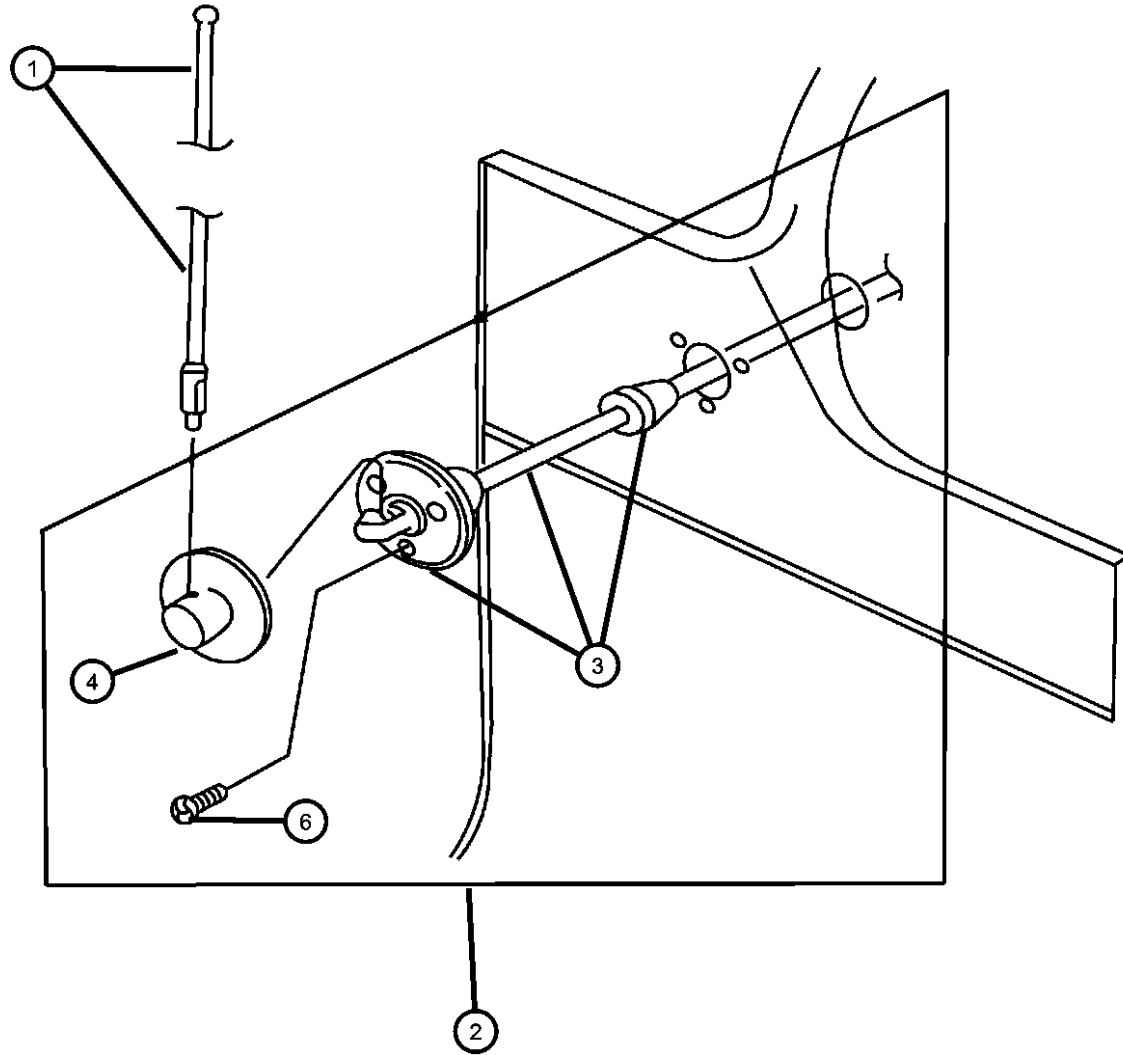
ENGINE
EPE = ENGINE - 2.5L POWER
TECH I-4 Cyl.
ERH = ENGINE - 4.0L
POWER TECH I-6

TRANSMISSION
DDD = TRANSMISSION - 5-SPEED
HD MANUAL
DDQ = TRANSMISSION - 5-SPEED
MANUAL
DGD = TRANSMISSION - 3-SPD.
AUTOMATIC,30RH
DGG = TRANSMISSION - 3-SPD.
AUTOMATIC,32RH
DGO = All Automatic Transmissions
DBB = All Manual Transmissions
DDO = All 5 Speed Manual
Transmissions

AR = use ase required - = Non illustrated part

**Antenna Kit
Figure 1-150**

ITEM	PART NUMBER	QTY	LINE	SERIES	BODY	ENGINE	TRANS	TRIM	DESCRIPTION
1	56009081	1							MAST, Antenna
2	82202317	1	J		77				ANTENNA PACKAGE, Radio - Manual
3	56008788	1							ANTENNA, Base Cable And Bracket
4	56038504	1							COVER, Antenna Opening
-5	56008786	1							CABLE, Antenna, Extension with 90 Degree Male End.
6	56008786	1							SCREW, Oval Head, .164-18x.75, (NOT SERVICED)



WRANGLER (TJ)

SERIES

H = Sport
L = SE
P = Sahara

LINE

J = Wrangler 4WD
U = Wrangler 4WD (RHD)

BODY

77 = 93.4 WB

ENGINE

EPE = ENGINE - 2.5L POWER TECH I-4 Cyl.
ERH = ENGINE - 4.0L POWER TECH I-6

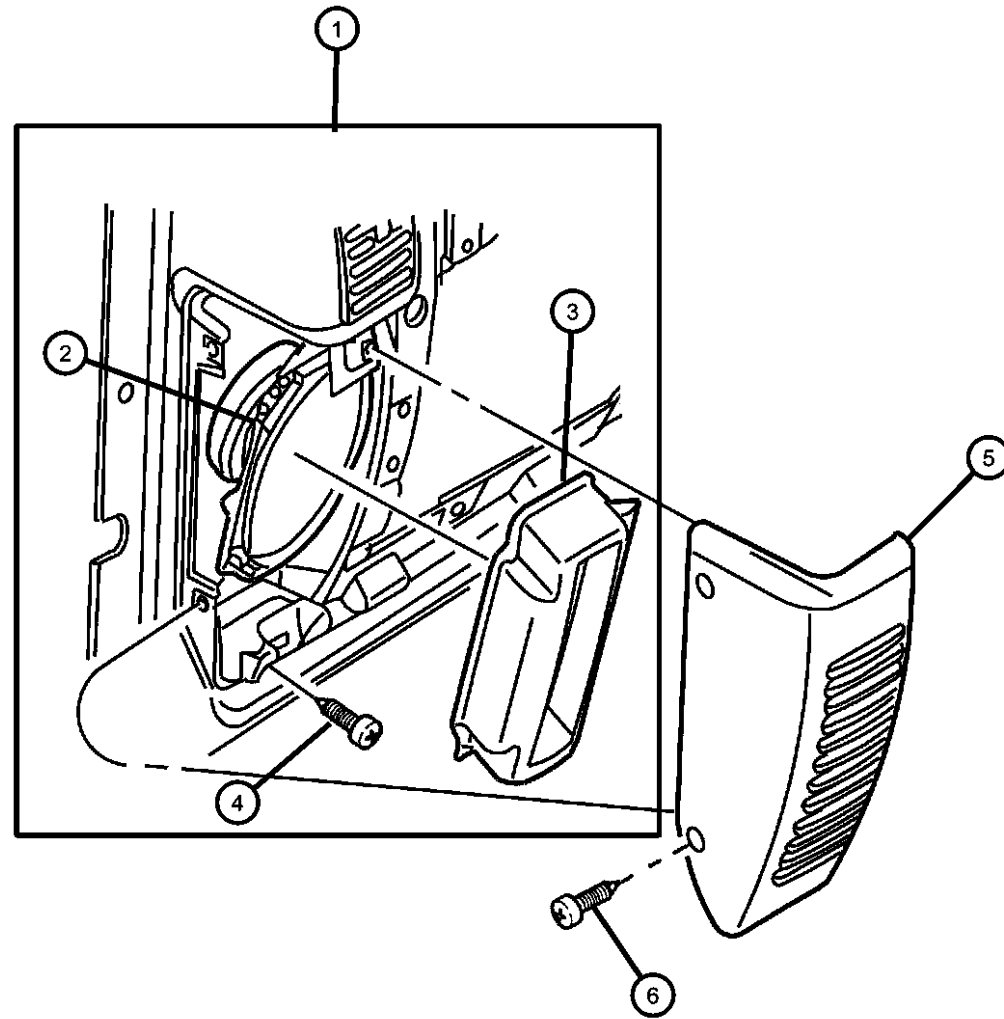
TRANSMISSION

DDD = TRANSMISSION - 5-SPEED HD MANUAL
DDQ = TRANSMISSION - 5-SPEED MANUAL
DGD = TRANSMISSION - 3-SPD. AUTOMATIC,30RH
DGG = TRANSMISSION - 3-SPD. AUTOMATIC,32RH
DG0 = All Automatic Transmissions
DBB = All Manual Transmissions
DD0 = All 5 Speed Manual Transmissions

AR = use ase required - = Non illustrated part

Speaker Kit - Radio
Figure 1-160

ITEM	PART NUMBER	QTY	LINE	SERIES	BODY	ENGINE	TRANS	TRIM	DESCRIPTION
1	82202638	1							SPEAKER PACKAGE, Radio
2	56008795AC	1							SPEAKER, Instrument Panel
3	56009426	1							BAFFLE, Speaker
4	06032723	1							SCREW, Self Tapping, M4.2x1.69x19.05
5	06032723	1							BEZEL, Speaker, See Group 8A, (NOT SERVICED)
6	06032723	1							SCREW, Piercing, .164-15x1.25, See Group 8A, (NOT SERVICED)



WRANGLER (TJ)

SERIES LINE
H = Sport J = Wrangler 4WD
L = SE U = Wrangler 4WD (RHD)
P = Sahara

BODY
77 = 93.4 WB

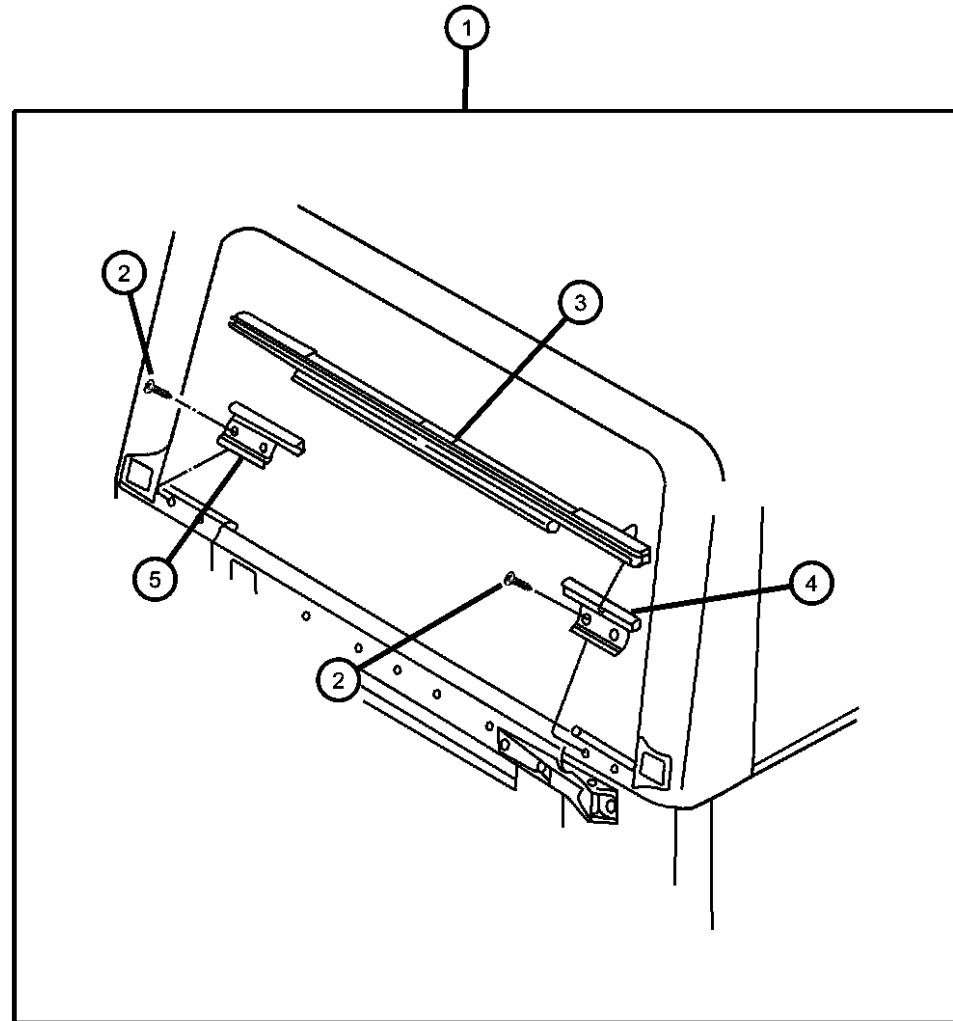
ENGINE
EPE = ENGINE - 2.5L POWER TECH I-4 Cyl.
ERH = ENGINE - 4.0L POWER TECH I-6

TRANSMISSION
DDD = TRANSMISSION - 5-SPEED HD MANUAL
DDQ = TRANSMISSION - 5-SPEED MANUAL
DGD = TRANSMISSION - 3-SPD. AUTOMATIC,30RH
DGG = TRANSMISSION - 3-SPD. AUTOMATIC,32RH
DGO = All Automatic Transmissions
DBB = All Manual Transmissions
DDO = All 5 Speed Manual Transmissions

AR = use ase required - = Non illustrated part

Mounting Kit - Tonneau
Figure 1-210

ITEM	PART NUMBER	QTY	LINE	SERIES	BODY	ENGINE	TRANS	TRIM	DESCRIPTION
1	82203316	1	J		77				MOUNTING KIT, Tonneau
2	06035026	1	J		77				SCREW AND WASHER, Tapping, .164-18x.375
3	55176232	1	J		77				RETAINER, Soft Top Rail
4	55176470	1	J		77				CLIP, Tailgate OpeningRight
5	55176471	1	J		77				CLIP, Tailgate OpeningLeft



WRANGLER (TJ)

SERIES	LINE
H = Sport	J = Wrangler 4WD
L = SE	U = Wrangler 4WD (RHD)
P = Sahara	

BODY
77 = 93.4 WB

ENGINE
EPE = ENGINE - 2.5L POWER TECH I-4 Cyl.
ERH = ENGINE - 4.0L POWER TECH I-6

TRANSMISSION
DDD = TRANSMISSION - 5-SPEED HD MANUAL
DDQ = TRANSMISSION - 5-SPEED MANUAL
DGD = TRANSMISSION - 3-SPD. AUTOMATIC,30RH
DGG = TRANSMISSION - 3-SPD. AUTOMATIC,32RH
DG0 = All Automatic Transmissions
DBB = All Manual Transmissions
DD0 = All 5 Speed Manual Transmissions

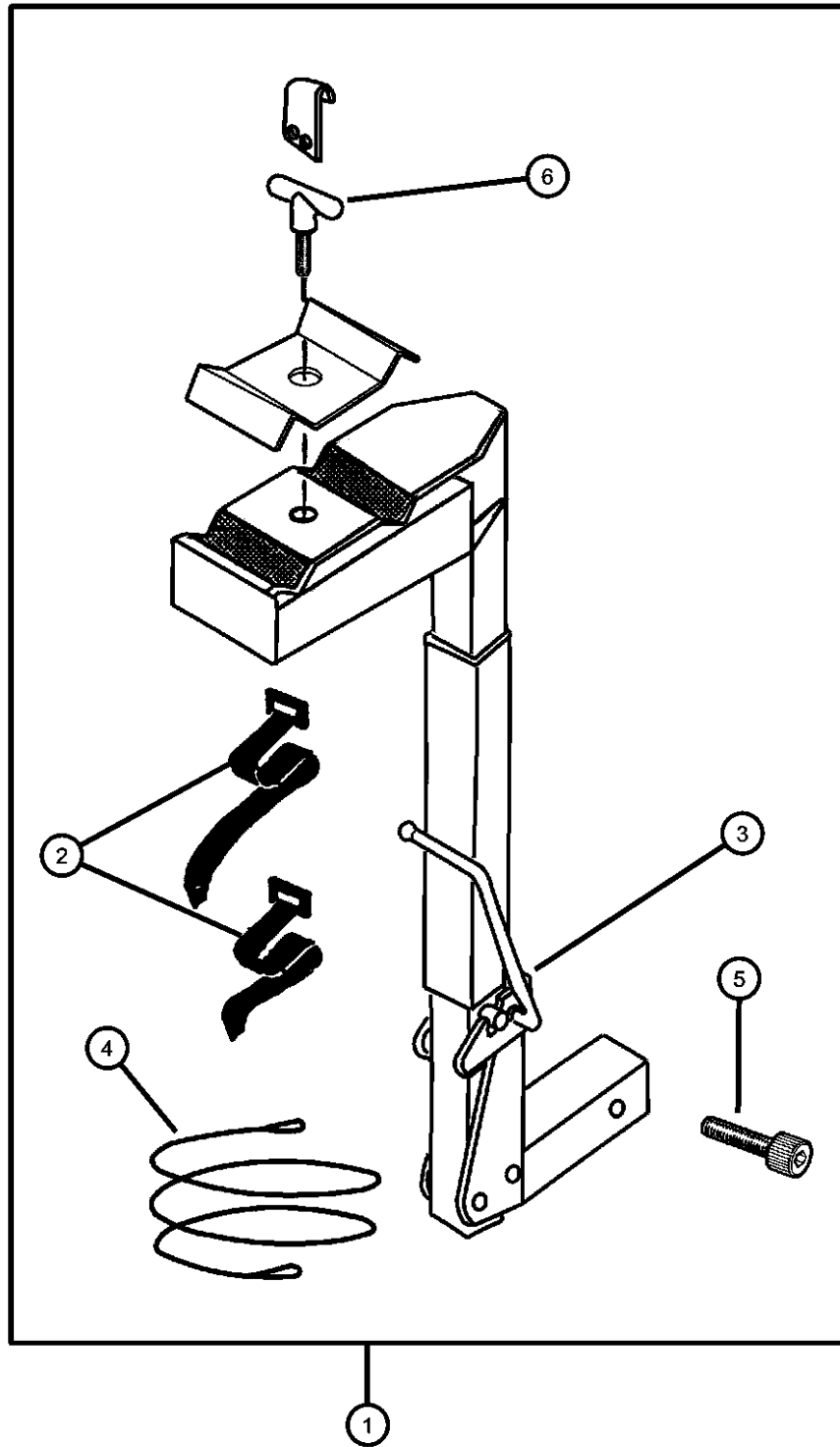
AR = use ase required - = Non illustrated part

Bike Carrier - Hitch Mount
Figure 1-220

ITEM	PART NUMBER	QTY	LINE	SERIES	BODY	ENGINE	TRANS	TRIM	DESCRIPTION
------	-------------	-----	------	--------	------	--------	-------	------	-------------

NOTE: Folds down for access to rear deck, has anti theft bolts.

1	82204452	1	J		77				CARRIER PACKAGE, Bike
2	04762880	1	J		77				STRAP KIT, Velcro
3	04762881	1	J		77				STRAP KIT, Bike Carrier Latch
4	04762882	1	J		77				LOCK KIT, Bike Carrier Handle
5	05016774AA	1	J		77				BOLT KIT, Security
6	05016610AA	1	J		77				HARDWARE KIT, Accessory



WRANGLER (TJ)

SERIES LINE
H = Sport J = Wrangler 4WD
L = SE U = Wrangler 4WD (RHD)
P = Sahara

BODY
77 = 93.4 WB

ENGINE
EPE = ENGINE - 2.5L POWER
TECH I-4 Cyl.
ERH = ENGINE - 4.0L
POWER TECH I-6

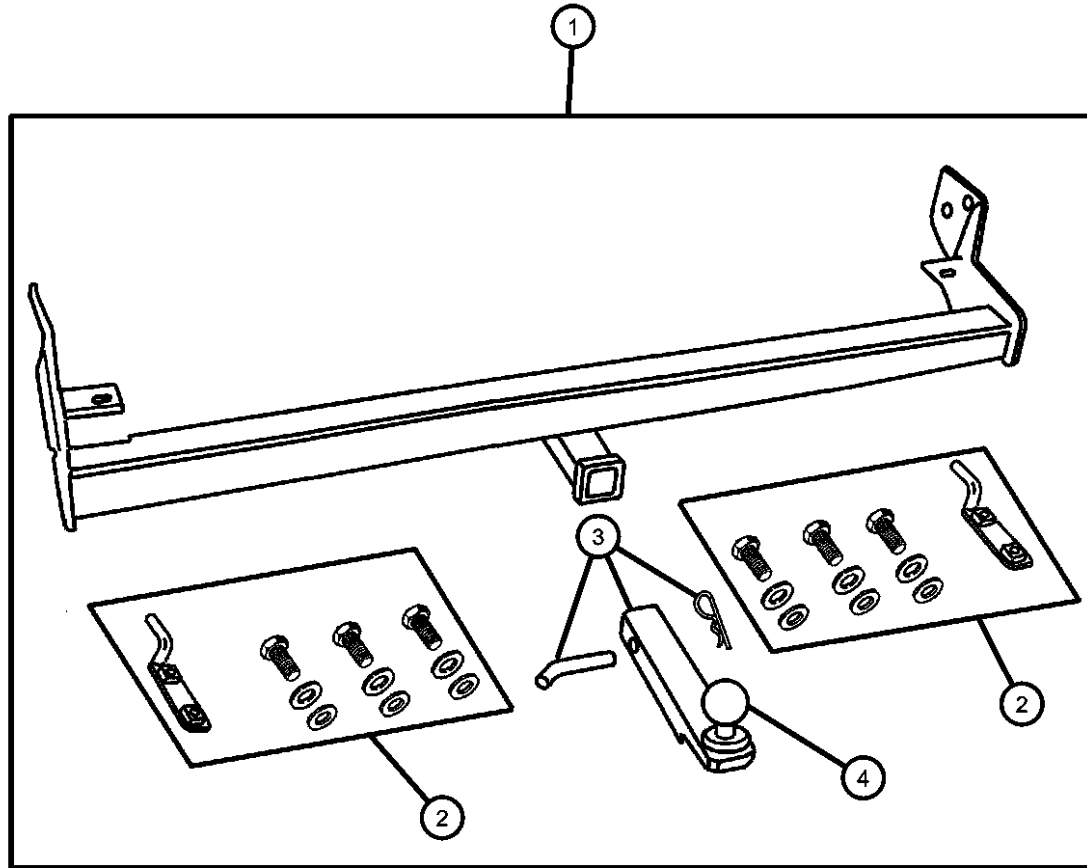
TRANSMISSION
DDD = TRANSMISSION - 5-SPEED
HD MANUAL
DDQ = TRANSMISSION - 5-SPEED
MANUAL
DGD = TRANSMISSION - 3-SPD.
AUTOMATIC,30RH
DGG = TRANSMISSION - 3-SPD.
AUTOMATIC,32RH
DGO = All Automatic Transmissions
DBB = All Manual Transmissions
DDO = All 5 Speed Manual
Transmissions

AR = use ase required - = Non illustrated part

2000 TJ

**Trailer Tow - Receiver Kit
Figure 1-250**

ITEM	PART NUMBER	QTY	LINE	SERIES	BODY	ENGINE	TRANS	TRIM	DESCRIPTION
1	82204119	1	J		77				RECEIVER KIT, Trailer Tow
2	82204119	1							HARDWARE KIT, Hitch, Serviced in Kit, (NOT SERVICED)
3	04549284	1	J		77				DRAWBAR, Attachment, Includes Drawbar Pin and Clip
4	82401104	1	J		77				BALL KIT, Trailer Tow



WRANGLER (TJ)

SERIES	LINE
H = Sport	J = Wrangler 4WD
L = SE	U = Wrangler 4WD (RHD)
P = Sahara	

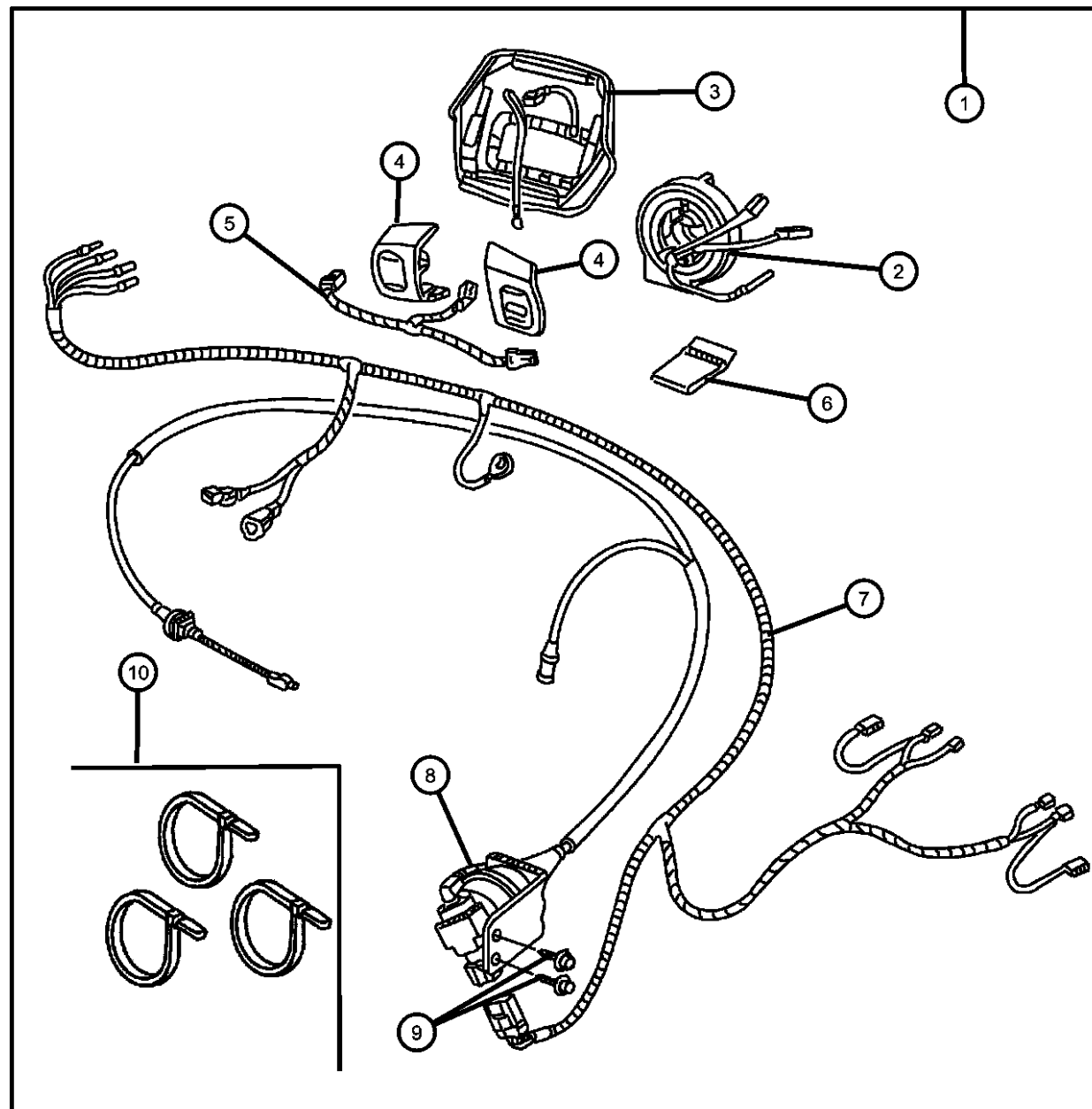
BODY
77 = 93.4 WB

ENGINE
EPE = ENGINE - 2.5L POWER TECH I-4 Cyl.
ERH = ENGINE - 4.0L POWER TECH I-6

TRANSMISSION
DDD = TRANSMISSION - 5-SPEED HD MANUAL
DDQ = TRANSMISSION - 5-SPEED MANUAL
DGD = TRANSMISSION - 3-SPD. AUTOMATIC,30RH
DGG = TRANSMISSION - 3-SPD. AUTOMATIC,32RH
DG0 = All Automatic Transmissions
DBB = All Manual Transmissions
DD0 = All 5 Speed Manual Transmissions

AR = use ase required - = Non illustrated part

**Speed Control Kit
Figure 1-310**



ITEM	PART NUMBER	QTY	LINE	SERIES	BODY	ENGINE	TRANS	TRIM	DESCRIPTION
1	82204704	1	J		77				CONTROL PACKAGE, Speed Control
2	56047105AA	1	J		77				CLOCKSPRING
3	04798297	1							COVER, Air Bag Module
4									SWITCH, Speed Control
	56007530AD	1	J		77				Right
	56007531AD	1	J		77				Left
5	56009437	1	J		77				WIRING, Steering Wheel
6	56009437	1							FASTENER, Trim Cover, (NOT SERVICED)
7	56009437	1							WIRING, Speed Control, (NOT SERVICED)
8	56009437	1							SERVO, Speed Control, (NOT SERVICED)
9	56009437	1							SCREW, Hex Head, M6x1x20, (NOT SERVICED)
10	06015756	1							STRAP, Tie

WRANGLER (TJ)

SERIES

H = Sport
L = SE
P = Sahara

LINE

J = Wrangler 4WD
U = Wrangler 4WD (RHD)

BODY

77 = 93.4 WB

ENGINE

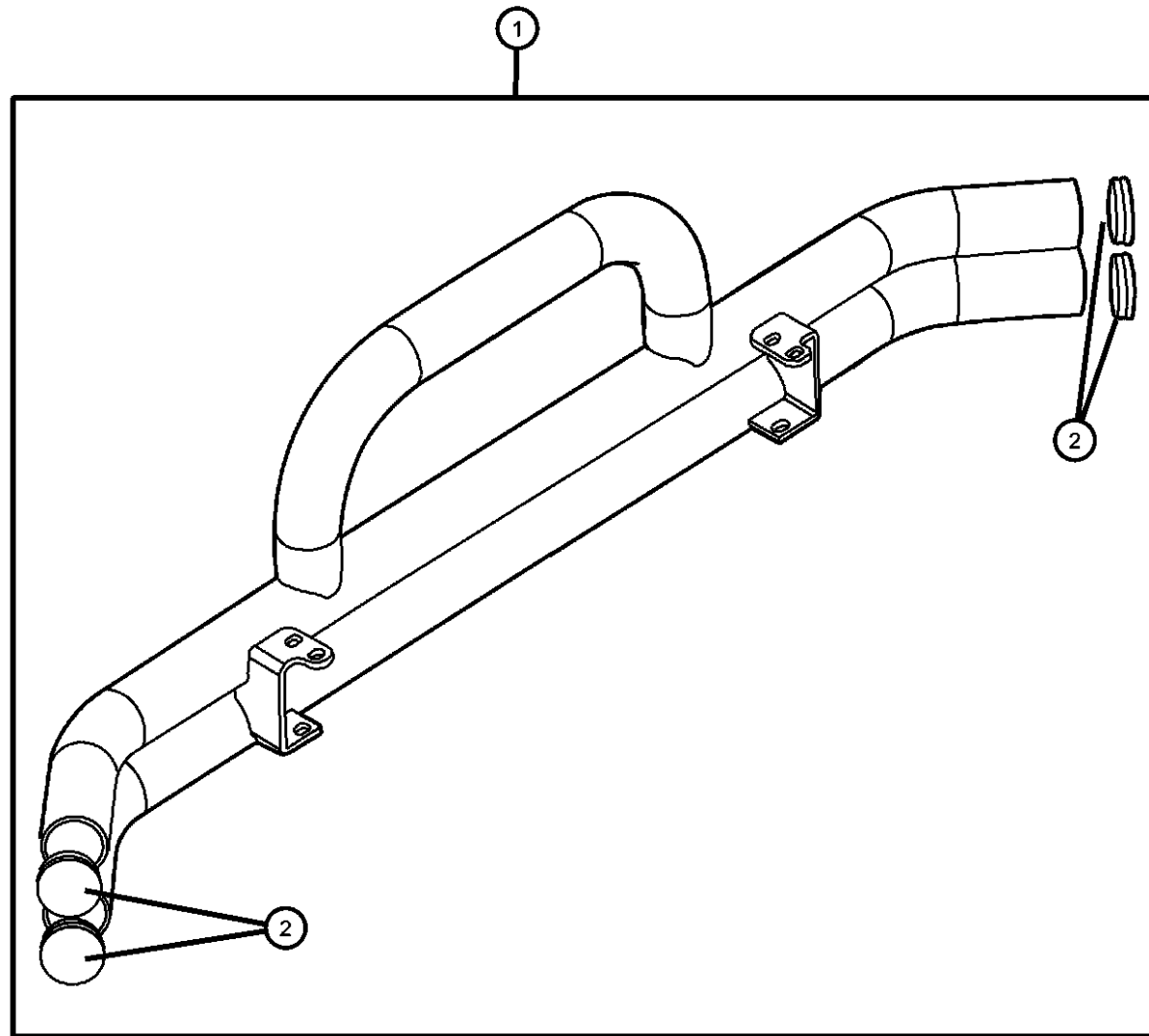
EPE = ENGINE - 2.5L POWER TECH I-4 Cyl.
ERH = ENGINE - 4.0L POWER TECH I-6

TRANSMISSION

DDD = TRANSMISSION - 5-SPEED HD MANUAL
DDQ = TRANSMISSION - 5-SPEED MANUAL
DGD = TRANSMISSION - 3-SPD. AUTOMATIC,30RH
DGG = TRANSMISSION - 3-SPD. AUTOMATIC,32RH
DG0 = All Automatic Transmissions
DBB = All Manual Transmissions
DD0 = All 5 Speed Manual Transmissions

AR = use ase required - = Non illustrated part

Bumper Kit - Front
Figure 1-410



ITEM	PART NUMBER	QTY	LINE	SERIES	BODY	ENGINE	TRANS	TRIM	DESCRIPTION
1									BUMPER KIT, Tubular
	82202173	1	J		77				Black painted Steel
	82202174	1	J		77				Natural anodized Aluminum
	82202175	1	J		77				Black anodized Aluminum
	82204269	1	J		77				Chromed Steel
2									END CAP, Bumper
	04897576AA	1							Use for Kits 82202173 and 82204269
	04897577AA	1							Use for Kits 82202174 and 82202175

WRANGLER (TJ)

SERIES	LINE
H = Sport	J = Wrangler 4WD
L = SE	U = Wrangler 4WD (RHD)
P = Sahara	

BODY
77 = 93.4 WB

ENGINE
EPE = ENGINE - 2.5L POWER TECH I-4 Cyl.
ERH = ENGINE - 4.0L POWER TECH I-6

TRANSMISSION
DDD = TRANSMISSION - 5-SPEED HD MANUAL
DDQ = TRANSMISSION - 5-SPEED MANUAL
DGD = TRANSMISSION - 3-SPD. AUTOMATIC,30RH
DGG = TRANSMISSION - 3-SPD. AUTOMATIC,32RH
DG0 = All Automatic Transmissions
DBB = All Manual Transmissions
DD0 = All 5 Speed Manual Transmissions

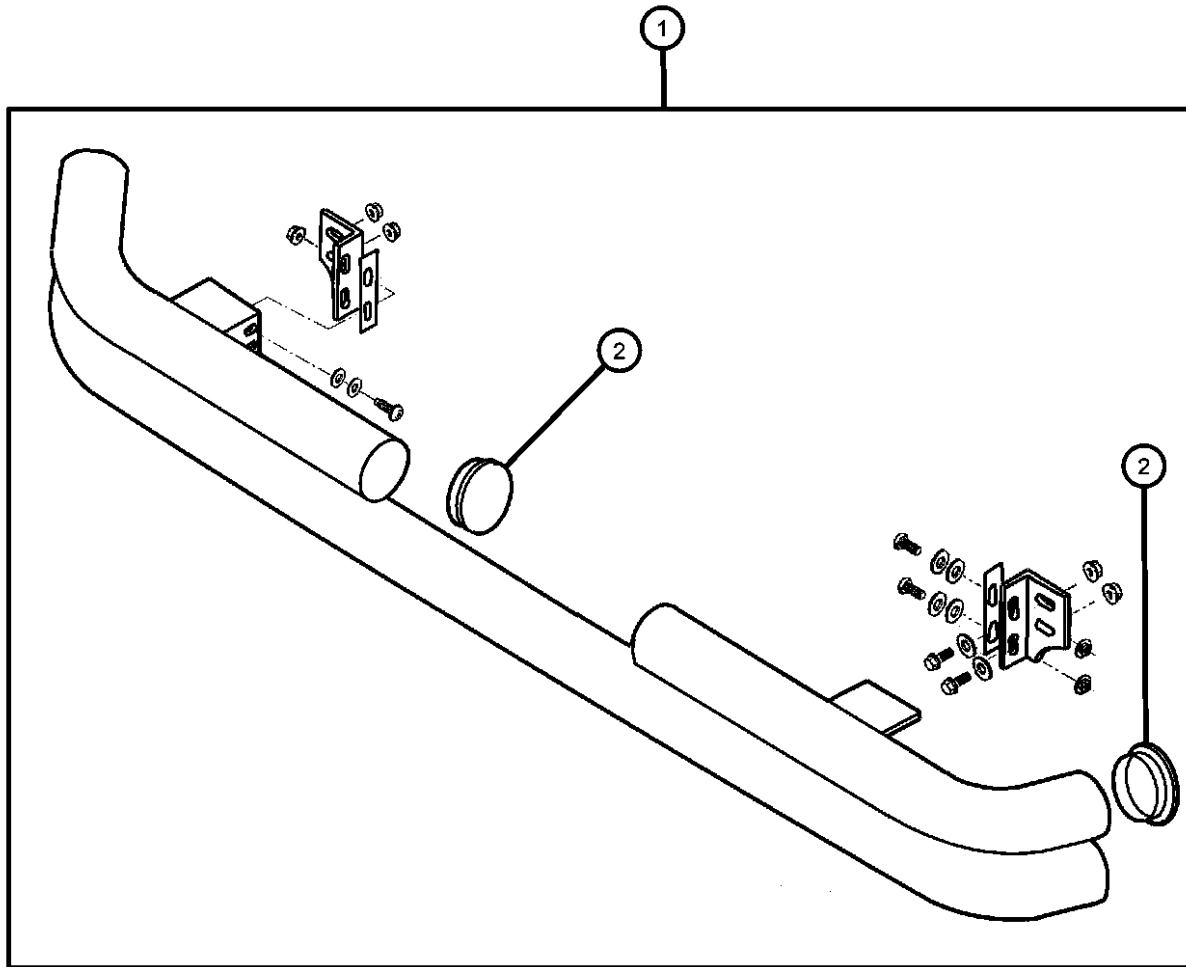
AR = use ase required - = Non illustrated part

Bumper Kit - Rear
Figure 1-420

ITEM	PART NUMBER	QTY	LINE	SERIES	BODY	ENGINE	TRANS	TRIM	DESCRIPTION
------	-------------	-----	------	--------	------	--------	-------	------	-------------

NOTE: Total of 6 End Caps are Required.

1	82203290	1	J		77				BUMPER KIT, Tubular-Rear Black painted Steel
	82203293	1	J		77				Natural anodized Aluminum
	82203294	1	J		77				Black anodized Aluminum
	82203295	1	J		77				Chromed Steel
2									END CAP, Bumper
	04897576AA	1							Used for Kits 82203290 and 82203295
	04897577AA	1							Used for Kits 82203293 and 82203294



WRANGLER (TJ)

SERIES	LINE
H = Sport	J = Wrangler 4WD
L = SE	U = Wrangler 4WD (RHD)
P = Sahara	

BODY
77 = 93.4 WB

ENGINE
EPE = ENGINE - 2.5L POWER TECH I-4 Cyl.
ERH = ENGINE - 4.0L POWER TECH I-6

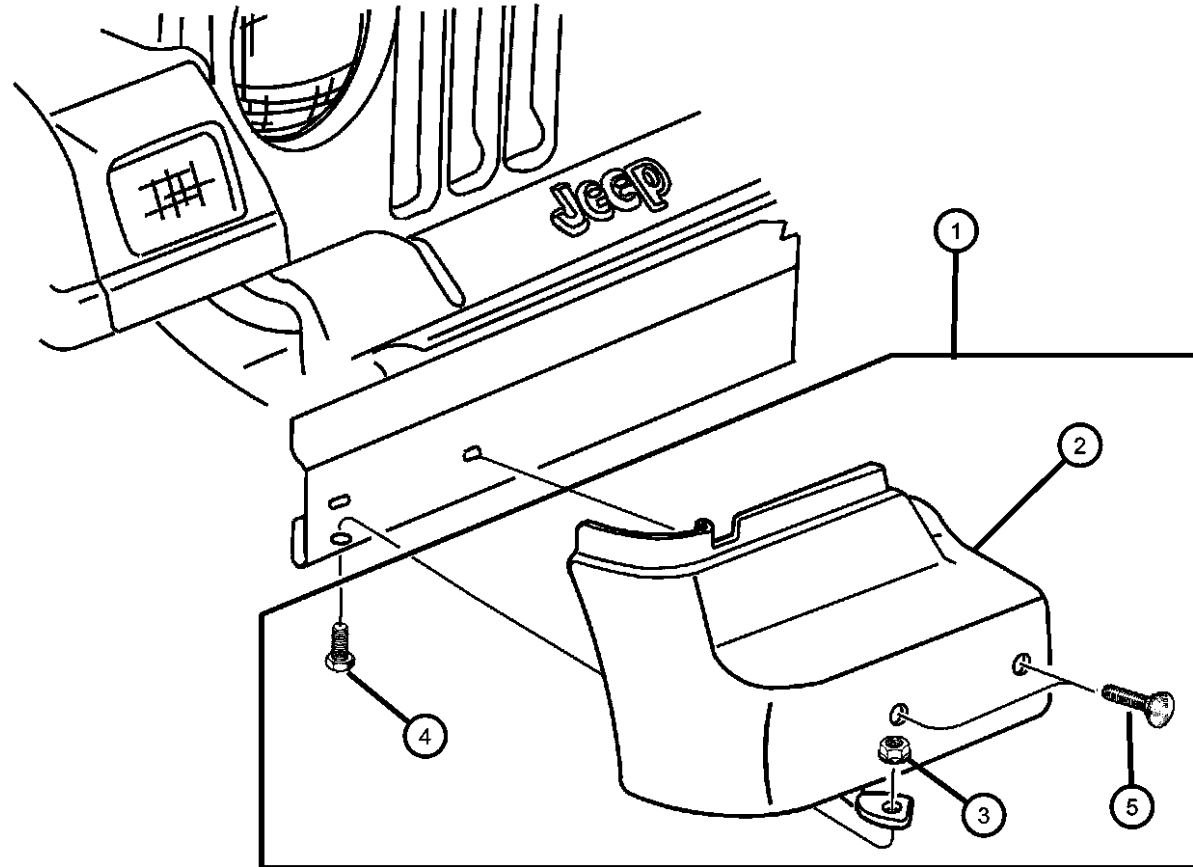
TRANSMISSION
DDD = TRANSMISSION - 5-SPEED HD MANUAL
DDQ = TRANSMISSION - 5-SPEED MANUAL
DGD = TRANSMISSION - 3-SPD. AUTOMATIC,30RH
DGG = TRANSMISSION - 3-SPD. AUTOMATIC,32RH
DG0 = All Automatic Transmissions
DBB = All Manual Transmissions
DD0 = All 5 Speed Manual Transmissions

AR = use ase required - = Non illustrated part

2000 TJ

Extension Kit - Bumper
Figure 1-430

ITEM	PART NUMBER	QTY	LINE	SERIES	BODY	ENGINE	TRANS	TRIM	DESCRIPTION
1	82202378	1	J		77				EXTENSION PACKAGE, Front Bumper
2									COVER, Bumper
	55155668AB	1	J		77				Right
	55155669AB	1	J		77				Left
3	06035739	6	J						NUT
4	06504212	4							SCREW, Large Round Washer Head Lock, M6x1.00x20.00
5	06504723	4							BOLT



WRANGLER (TJ)

SERIES LINE
H = Sport J = Wrangler 4WD
L = SE U = Wrangler 4WD (RHD)
P = Sahara

BODY
77 = 93.4 WB

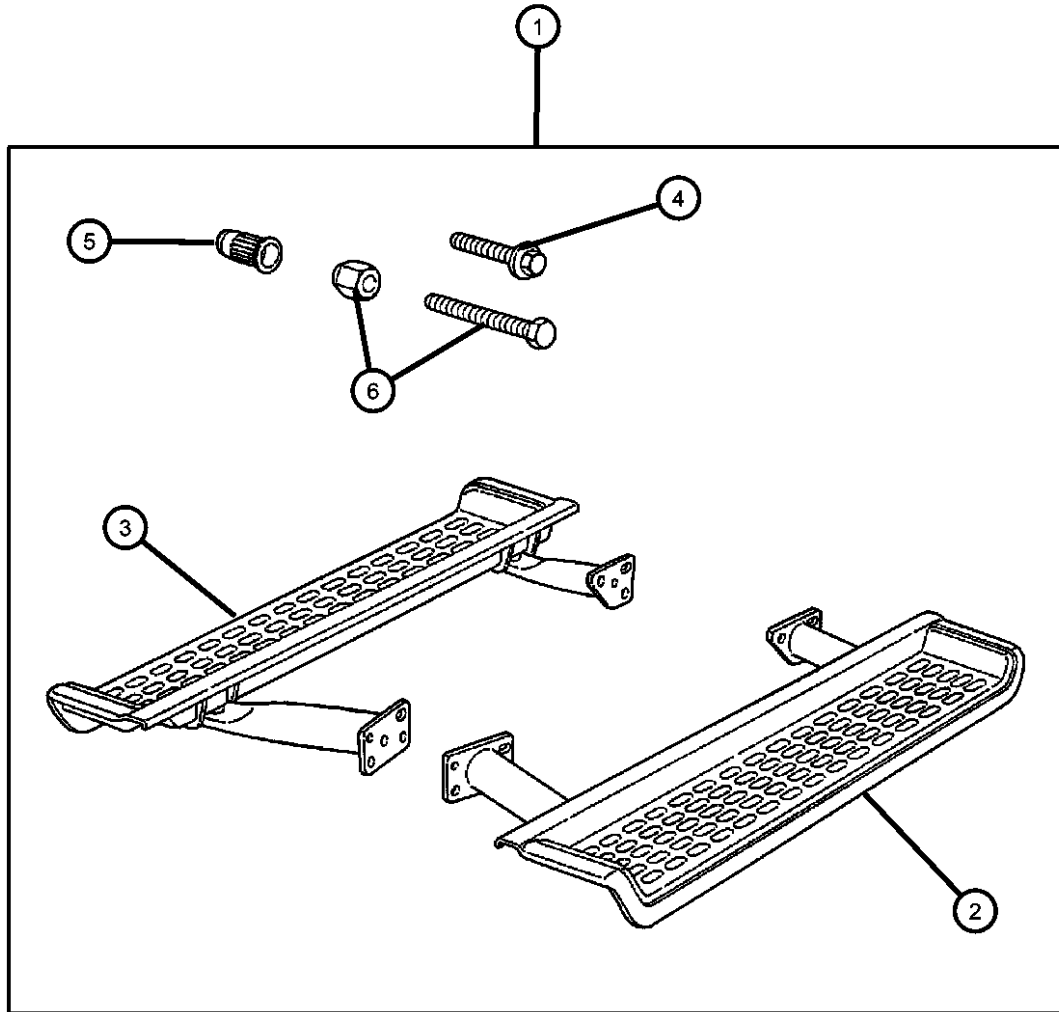
ENGINE
EPE = ENGINE - 2.5L POWER TECH I-4 Cyl.
ERH = ENGINE - 4.0L POWER TECH I-6

TRANSMISSION
DDD = TRANSMISSION - 5-SPEED HD MANUAL
DDQ = TRANSMISSION - 5-SPEED MANUAL
DGD = TRANSMISSION - 3-SPD. AUTOMATIC,30RH
DGG = TRANSMISSION - 3-SPD. AUTOMATIC,32RH
DG0 = All Automatic Transmissions
DBB = All Manual Transmissions
DD0 = All 5 Speed Manual Transmissions

AR = use ase required - = Non illustrated part

Side Step Kit
Figure 1-440

ITEM	PART NUMBER	QTY	LINE	SERIES	BODY	ENGINE	TRANS	TRIM	DESCRIPTION
1	82204304	1	J		77				STEP PACKAGE, Side
2	55175158	1	J		77				STEP PAD, Side StepRight
3	55175159	1	J		77				STEP PAD, Side StepLeft
4	06501648	14							SCREW, Hex Flange Head, M8x1.25x25.00
5	06504397	14							NUT, M8-1.25
6	05011659AA	1	J		77				RIVNUT, Installation, Tool



WRANGLER (TJ)

SERIES

H = Sport
L = SE
P = Sahara

LINE

J = Wrangler 4WD
U = Wrangler 4WD (RHD)

BODY

77 = 93.4 WB

ENGINE

EPE = ENGINE - 2.5L POWER TECH I-4 Cyl.
ERH = ENGINE - 4.0L POWER TECH I-6

TRANSMISSION

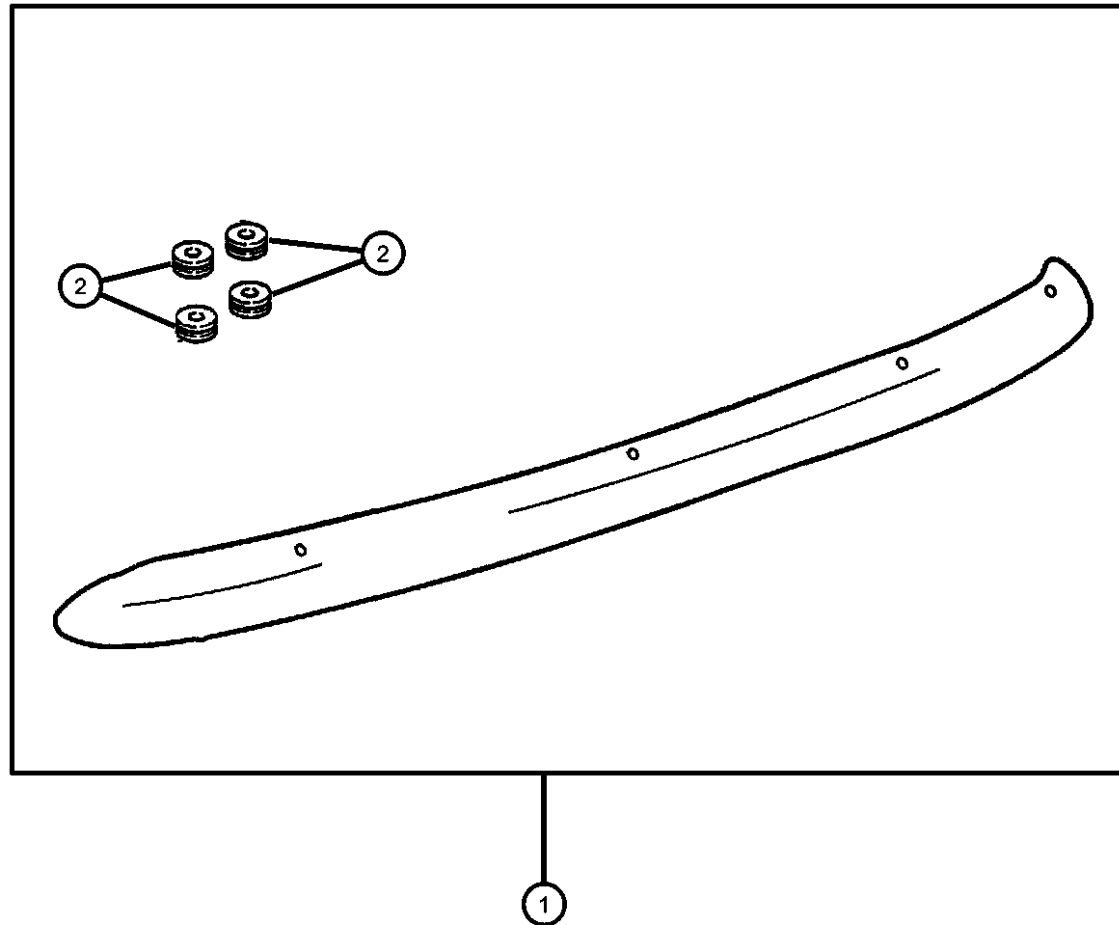
DDD = TRANSMISSION - 5-SPEED HD MANUAL
DDQ = TRANSMISSION - 5-SPEED MANUAL
DGD = TRANSMISSION - 3-SPD. AUTOMATIC,30RH
DGG = TRANSMISSION - 3-SPD. AUTOMATIC,32RH
DG0 = All Automatic Transmissions
DBB = All Manual Transmissions
DD0 = All 5 Speed Manual Transmissions

AR = use ase required - = Non illustrated part

2000 TJ

Shield Kit - Air
Figure 1-510

ITEM	PART NUMBER	QTY	LINE	SERIES	BODY	ENGINE	TRANS	TRIM	DESCRIPTION
1	82202160	1	J		77				SHIELD KIT, Air - Front
2	05014754AA	1	J		77				SPACER, Air Deflector



WRANGLER (TJ)

SERIES LINE

H = Sport

L = SE

P = Sahara

J = Wrangler 4WD

U = Wrangler 4WD (RHD)

BODY

77 = 93.4 WB

ENGINE

EPE = ENGINE - 2.5L POWER TECH I-4 Cyl.

ERH = ENGINE - 4.0L POWER TECH I-6

TRANSMISSION

DDD = TRANSMISSION - 5-SPEED HD MANUAL

DDQ = TRANSMISSION - 5-SPEED MANUAL

DGD = TRANSMISSION - 3-SPD. AUTOMATIC,30RH

DGG = TRANSMISSION - 3-SPD. AUTOMATIC,32RH

DG0 = All Automatic Transmissions

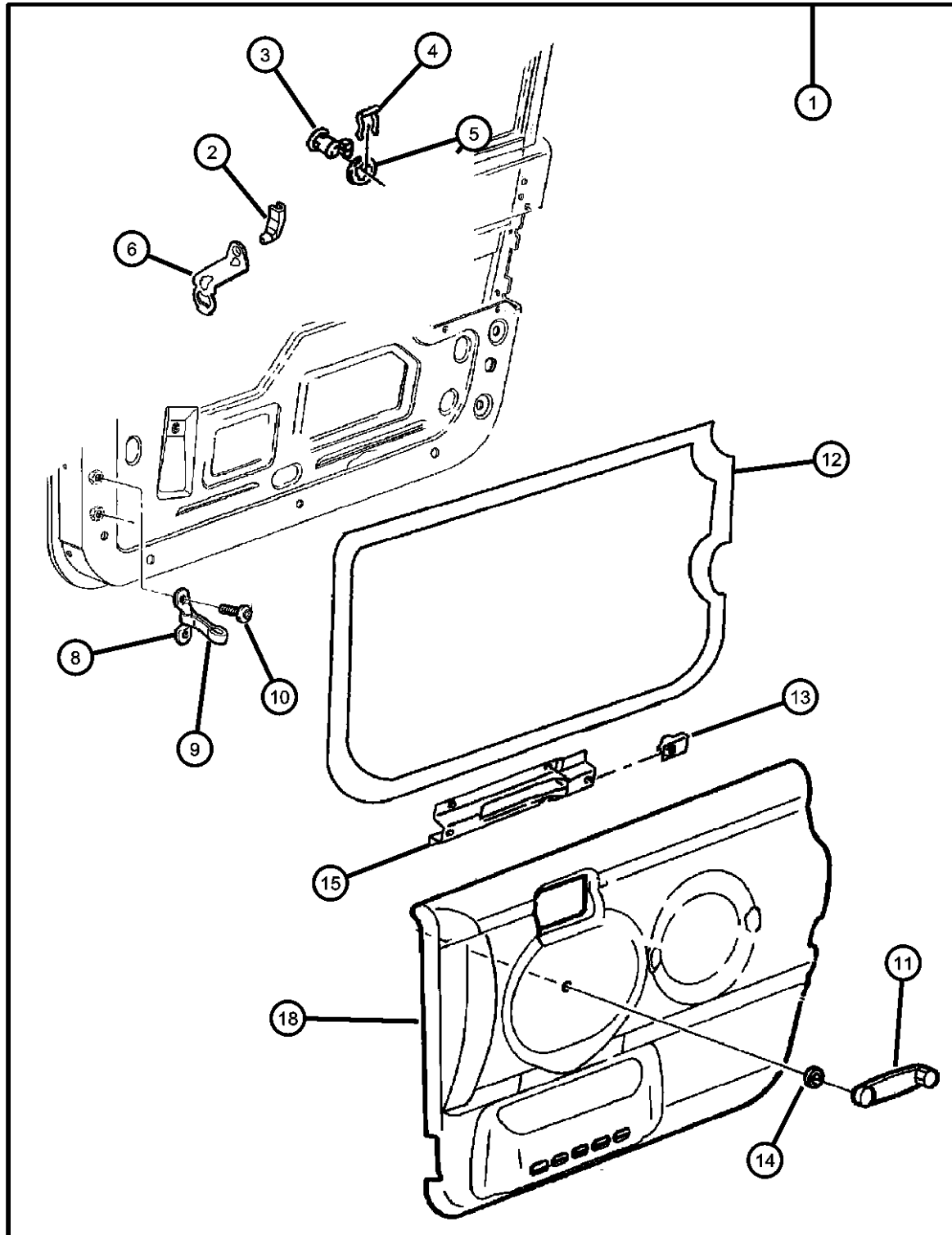
DBB = All Manual Transmissions

DD0 = All 5 Speed Manual Transmissions

AR = use ase required - = Non illustrated part

2000 TJ

Trim Kit - Door
Figure 1-520



ITEM	PART NUMBER	QTY	LINE	SERIES	BODY	ENGINE	TRANS	TRIM	DESCRIPTION
1	82205113	1	J		77				TRIM PACKAGE, Front Door Agate
	82205114	1	J		77				Camel
2	04658444	1	J		77				CLIP, Latch Purple, Right
	04658445	1	J		77				Orange, Left
3	04778123	1	J		77				CYLINDER, Door Lock
4	55176401AB	2							RETAINER, Door Lock Cylinder
5	55074799	2							GASKET, Door Lock Cylinder, Black
6	55076307	1	J		77				LEVER, Door Lock
-7	06504417	4							NUT, Hex, M8x1.25, Hinge Pin
8	55013666	2							FOOTMAN LOOP, Hold Down
9	55176339	2							CHECK, Front Door
10	06036102AA	4							SCREW, .19-24.50
11	0FW80PX9	2							HANDLE, Window Regulator
12									WATERSHIELD, Front Door Right
	55175786AE	1							Left
	55175787AE	1							
13	06504993AA	4							NUT
14	55076218	2							SPACER, Door Handle
15	55175848AC	2							BRACKET, Grab Handle
-16	06504617	6							SCREW, M4.2-1.41x13
-17	34201872	4							NUT, Snap In, M4.2 x 1.41
18									PANEL, Door Trim Camel, Right
	5DY661K5AB	1							Agate, Right
	5DY66LAZAB	1							Camel, Left
	5DY671K5AB	1							Agate, Left
	5DY67LAZAB	1							

WRANGLER (TJ)

SERIES LINE
H = Sport J = Wrangler 4WD
L = SE U = Wrangler 4WD (RHD)
P = Sahara

BODY
77 = 93.4 WB

ENGINE
EPE = ENGINE - 2.5L POWER
TECH I-4 Cyl.
ERH = ENGINE - 4.0L
POWER TECH I-6

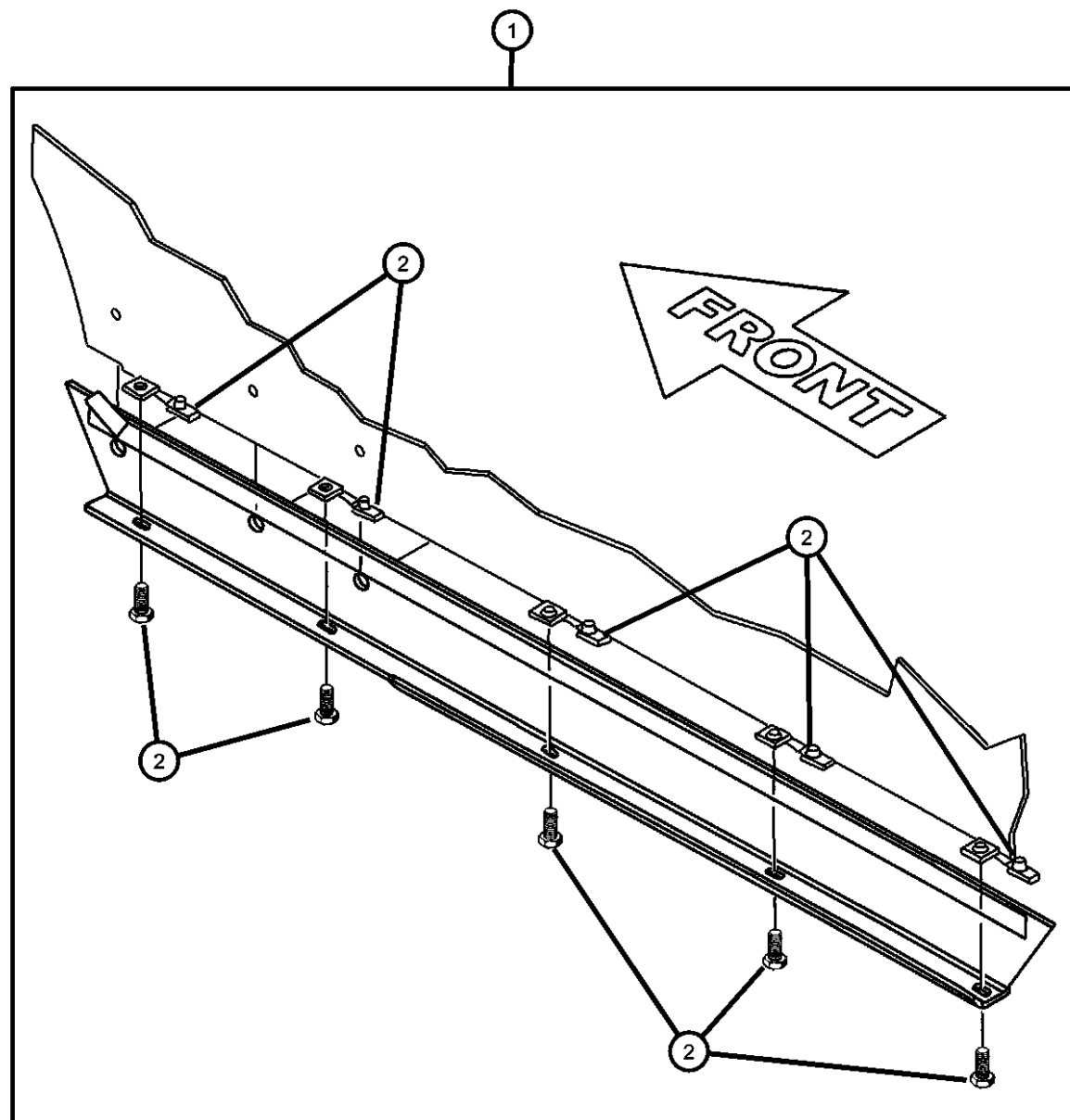
TRANSMISSION
DDD = TRANSMISSION - 5-SPEED
HD MANUAL
DDQ = TRANSMISSION - 5-SPEED
MANUAL
DGD = TRANSMISSION - 3-SPD.
AUTOMATIC,30RH
DGG = TRANSMISSION - 3-SPD.
AUTOMATIC,32RH
DGO = All Automatic Transmissions
DBB = All Manual Transmissions
DD0 = All 5 Speed Manual
Transmissions

AR = use ase required - = Non illustrated part

2000 TJ

Molding Kit - Rocker Guard
Figure 1-530

ITEM	PART NUMBER	QTY	LINE	SERIES	BODY	ENGINE	TRANS	TRIM	DESCRIPTION
1	82204733	1	J		77				MOLDING KIT, Lowerside, Includes two rocker guards and complete hardware kit
2	05019779AA	1	J		77				HARDWARE KIT, Bodyside Guard, Contains hardware for installation of one rocker guard



WRANGLER (TJ)

SERIES LINE
H = Sport J = Wrangler 4WD
L = SE U = Wrangler 4WD (RHD)
P = Sahara

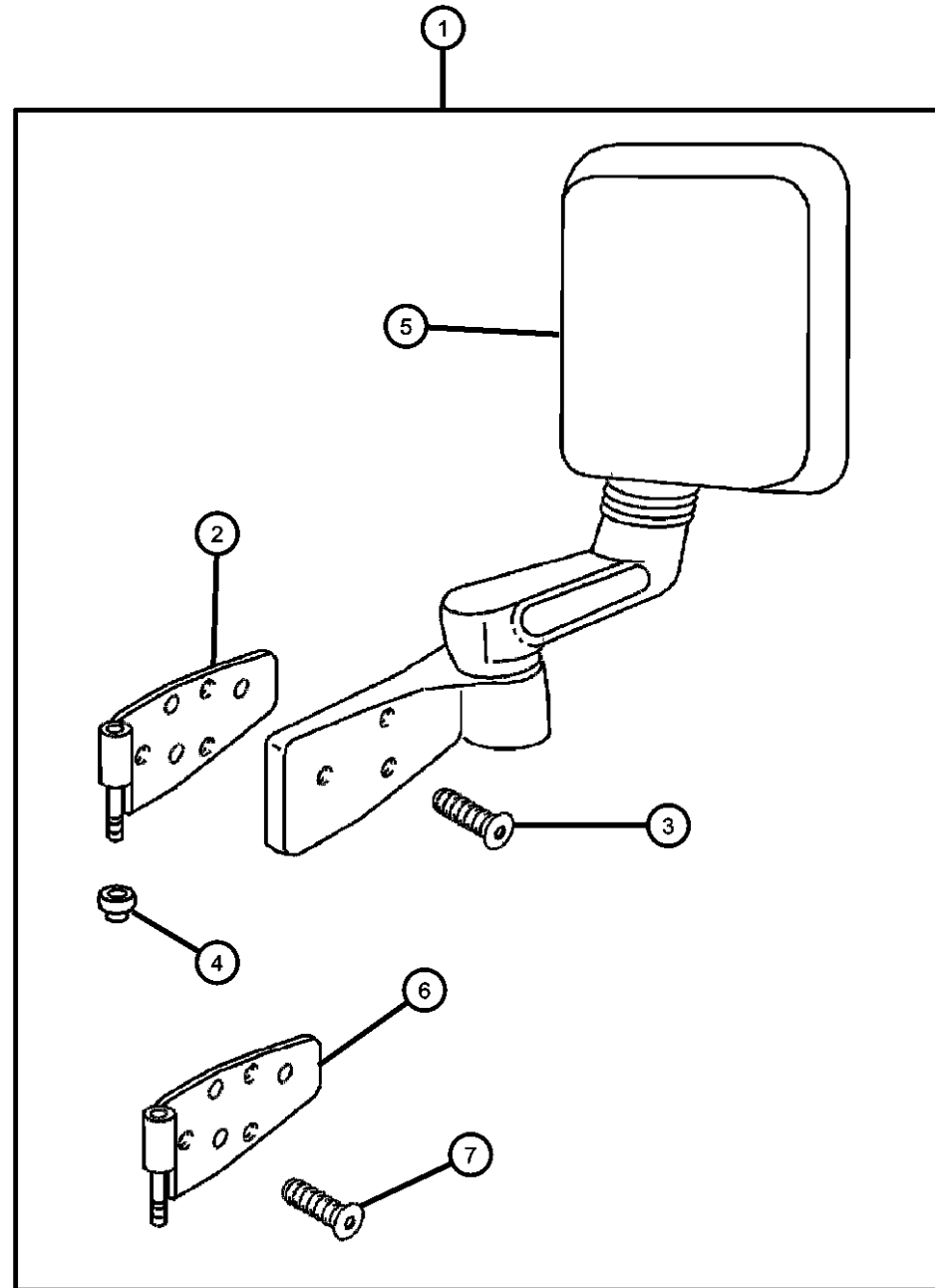
BODY
77 = 93.4 WB

ENGINE
EPE = ENGINE - 2.5L POWER TECH I-4 Cyl.
ERH = ENGINE - 4.0L POWER TECH I-6

TRANSMISSION
DDD = TRANSMISSION - 5-SPEED HD MANUAL
DDQ = TRANSMISSION - 5-SPEED MANUAL
DGD = TRANSMISSION - 3-SPD. AUTOMATIC,30RH
DGG = TRANSMISSION - 3-SPD. AUTOMATIC,32RH
DG0 = All Automatic Transmissions
DBB = All Manual Transmissions
DD0 = All 5 Speed Manual Transmissions

AR = use ase required - = Non illustrated part

Hardware Package - Door
Figure 1-540



ITEM	PART NUMBER	QTY	LINE	SERIES	BODY	ENGINE	TRANS	TRIM	DESCRIPTION
1	82203488	1	J		77				HARDWARE PACKAGE, Door, Hinge And Mirror
2	55176368	1							HINGE, Door Half Upper Right
	55176369	1							Upper Left
3	06034566	6							SCREW, Tapping Flange Head, .25-20x.875
4	06504417	4							NUT, Hex, M8x1.25
5									MIRROR, Outside Rearview
	55154882	1	J						Right
	55154883	1	J						Left
6									HINGE, Door Half
	55176366	1							Lower Right
	55176367	1							Lower Left
7	06035757	4							SCREW

WRANGLER (TJ)

SERIES
H = Sport
L = SE
P = Sahara

LINE
J = Wrangler 4WD
U = Wrangler 4WD (RHD)

BODY
77 = 93.4 WB

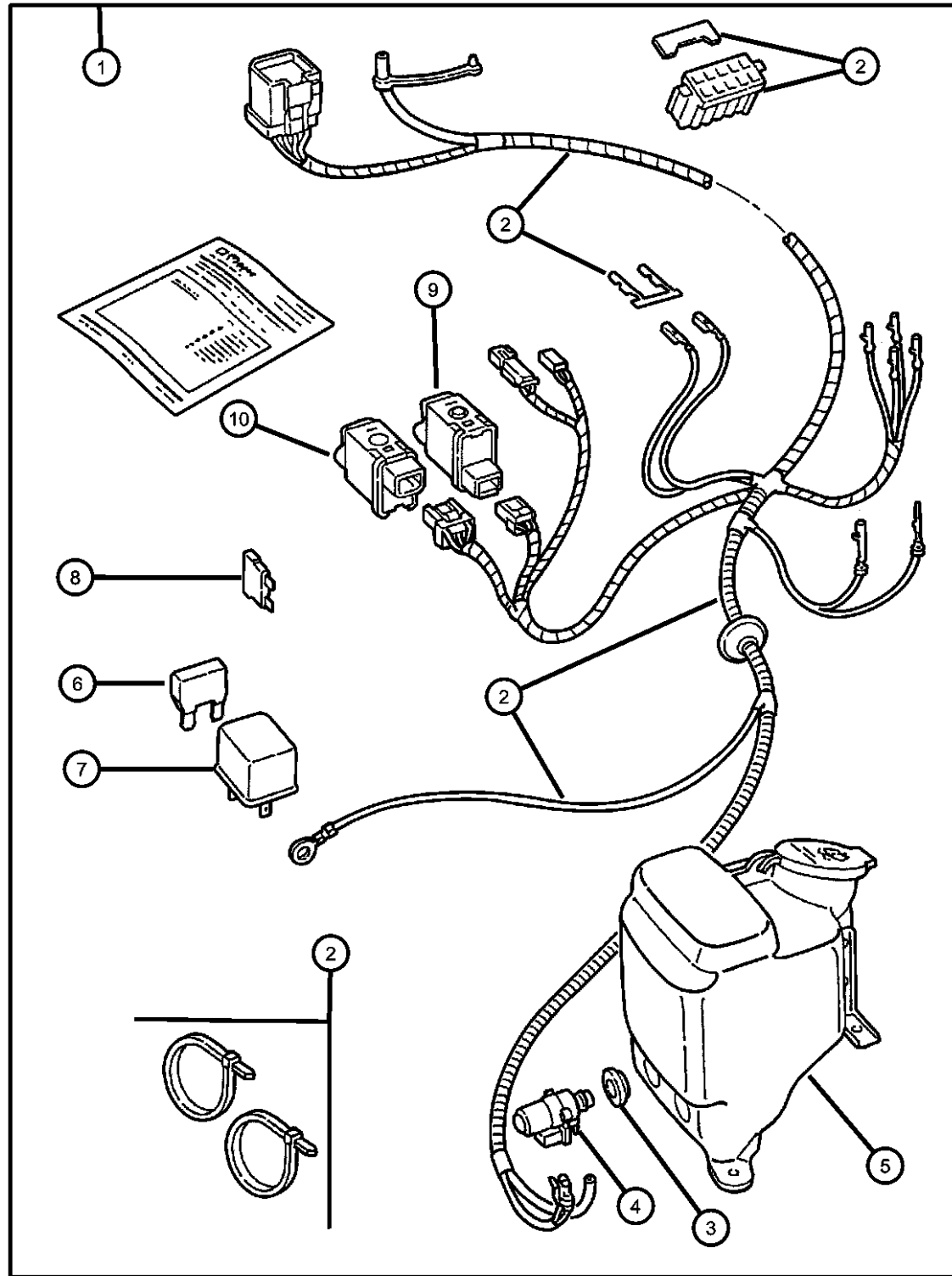
ENGINE
EPE = ENGINE - 2.5L POWER TECH I-4 Cyl.
ERH = ENGINE - 4.0L POWER TECH I-6

TRANSMISSION
DDD = TRANSMISSION - 5-SPEED HD MANUAL
DDQ = TRANSMISSION - 5-SPEED MANUAL
DGD = TRANSMISSION - 3-SPD. AUTOMATIC,30RH
DGG = TRANSMISSION - 3-SPD. AUTOMATIC,32RH
DGO = All Automatic Transmissions
DBB = All Manual Transmissions
DDO = All 5 Speed Manual Transmissions

AR = use ase required - = Non illustrated part

2000 TJ

Hardtop Wiring Kit
Figure 1-550



ITEM	PART NUMBER	QTY	LINE	SERIES	BODY	ENGINE	TRANS	TRIM	DESCRIPTION
1	82205621	1	J		77				WIRING PACKAGE, Enclosure
2	82205621	1							WIRING KIT, Enclosure, Serviced in package, (NOT SERVICED)
3	05013755AA	1	J		77				GROMMET, Washer Reservoir
4	04797695	1	J		77				PUMP, Washer, Windshield
5	04874393	1	J		77				RESERVOIR, Washer
6	06101641	1	J		77				FUSE, Maxi, 40 AMP, Amber
7	04638094	1	J		77				RELAY PACKAGE, Electrical
8	06101486	1	J		77				FUSE, Mini, 10 AMP, Red
9	56007250	1	J		77				SWITCH, Electric Back Light
10	56007249	1	J		77				SWITCH, Wiper and Washer
-11	06102077AA	1	J		77				FUSE CARTRIDGE, 40 Amp

WRANGLER (TJ)

SERIES LINE
H = Sport J = Wrangler 4WD
L = SE U = Wrangler 4WD (RHD)
P = Sahara

BODY
77 = 93.4 WB

ENGINE
EPE = ENGINE - 2.5L POWER
TECH I-4 Cyl.
ERH = ENGINE - 4.0L
POWER TECH I-6

TRANSMISSION
DDD = TRANSMISSION - 5-SPEED
HD MANUAL
DDQ = TRANSMISSION - 5-SPEED
MANUAL
DGD = TRANSMISSION - 3-SPD.
AUTOMATIC,30RH
DGG = TRANSMISSION - 3-SPD.
AUTOMATIC,32RH
DGO = All Automatic Transmissions
DBB = All Manual Transmissions
DDO = All 5 Speed Manual
Transmissions

AR = use ase required - = Non illustrated part

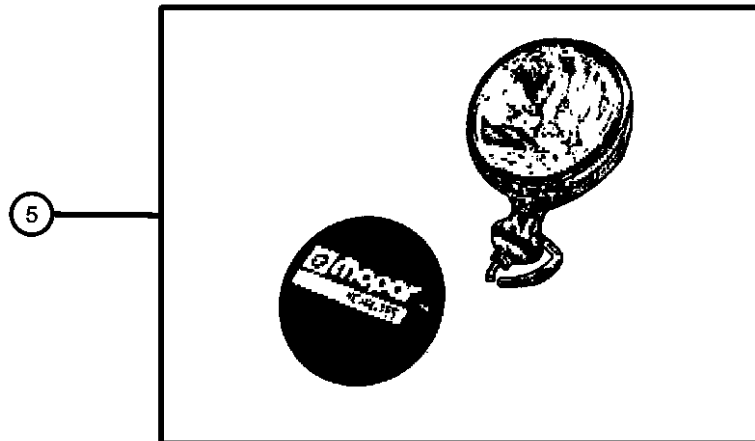
2000 TJ

Light Kit - Fog
Figure 1-610

ITEM	PART NUMBER	QTY	LINE	SERIES	BODY	ENGINE	TRANS	TRIM	DESCRIPTION
------	-------------	-----	------	--------	------	--------	-------	------	-------------

NOTE: Light Packages - use 55 watt Bulb only. Complete kit including lights for mounting on a Brush Guard.

1									LIGHT KIT, Fog, 5 x 7'
	82201228	1	J		77				Black Plastic
	82201229	1	J		77				Black Chrome
	82201230	1	J		77				Bright Chrome
2	04720332	1							COVER, Fog Lamp
-3	04728646	1							BULB PACKAGE, 55 Watt
4	04720329	1							LENS, Fog Lamp
5	82204418	1	J		77				LIGHT PACKAGE, Fog, Round, OEM Type
-6	04864773	1	J		77				RETAINER, Fog Lamp Bulb
-7	L00H355W	1	J		77				BULB, Fog Lamp, H-3 55 WATT



WRANGLER (TJ)

SERIES LINE
H = Sport J = Wrangler 4WD
L = SE U = Wrangler 4WD (RHD)
P = Sahara

BODY
77 = 93.4 WB

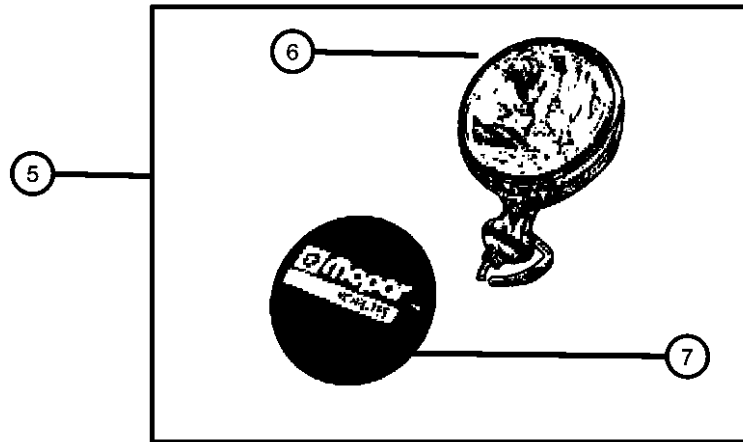
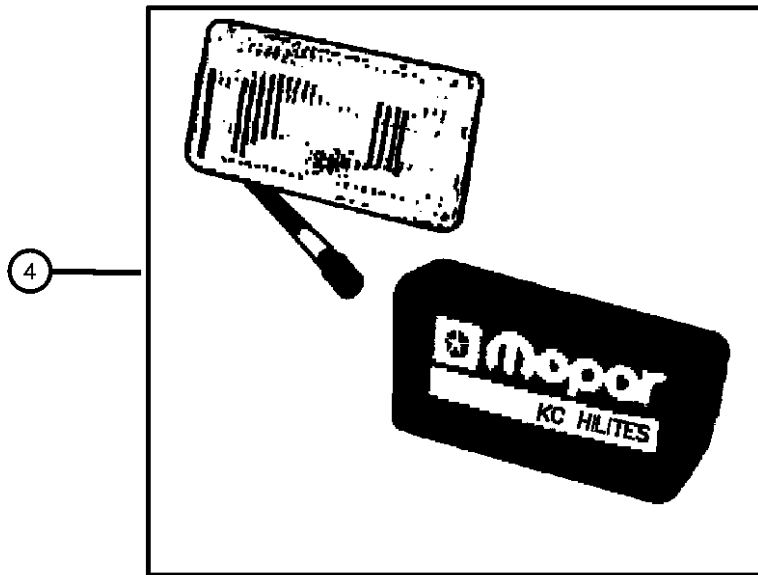
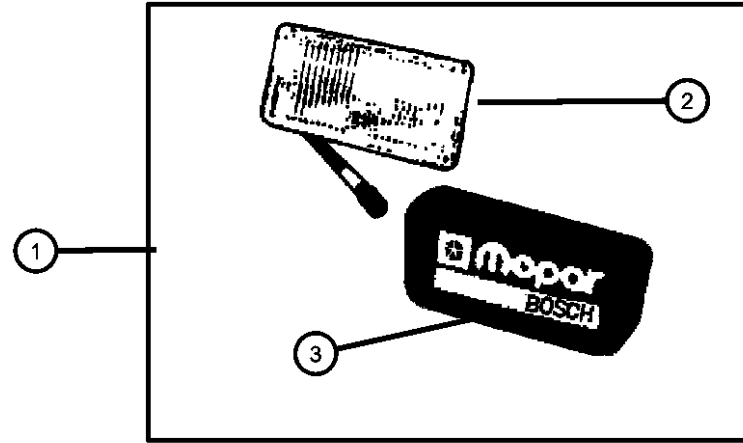
ENGINE
EPE = ENGINE - 2.5L POWER TECH I-4 Cyl.
ERH = ENGINE - 4.0L POWER TECH I-6

TRANSMISSION
DDD = TRANSMISSION - 5-SPEED HD MANUAL
DDQ = TRANSMISSION - 5-SPEED MANUAL
DGD = TRANSMISSION - 3-SPD. AUTOMATIC,30RH
DGG = TRANSMISSION - 3-SPD. AUTOMATIC,32RH
DG0 = All Automatic Transmissions
DBB = All Manual Transmissions
DD0 = All 5 Speed Manual Transmissions

AR = use ase required - = Non illustrated part

2000 TJ

Light Kit - Off Road
Figure 1-620



ITEM	PART NUMBER	QTY	LINE	SERIES	BODY	ENGINE	TRANS	TRIM	DESCRIPTION
1	82201252	1	J		77				LIGHT KIT, Off Road, 5 x 7'
	82201775	1	J		77				Black Plastic
	82201776	1	J		77				Black Chrome
									Chrome
2	04720330	1							LENS, Fog Lamp
3	04720332	1							COVER, Fog Lamp
4									LIGHT KIT, Off Road, 6 x 9'
	82203691	1	J		77				Black Powder Coat
	82203692	1	J		77				Chrome
5									LIGHT KIT, Off Road, 6' Round
	82201777	1	J		77				Black Chrome
	82201778	1	J		77				Chrome
6	04720333	1							LENS, Fog Lamp
7	04720327	1							COVER, Off Road Lamp
-8	04419298	1							BULB, 100 Watt
-9	L00H355W	1							BULB, Fog Lamp, H-3 55 WATT

WRANGLER (TJ)

SERIES LINE
H = Sport J = Wrangler 4WD
L = SE U = Wrangler 4WD (RHD)
P = Sahara

BODY
77 = 93.4 WB

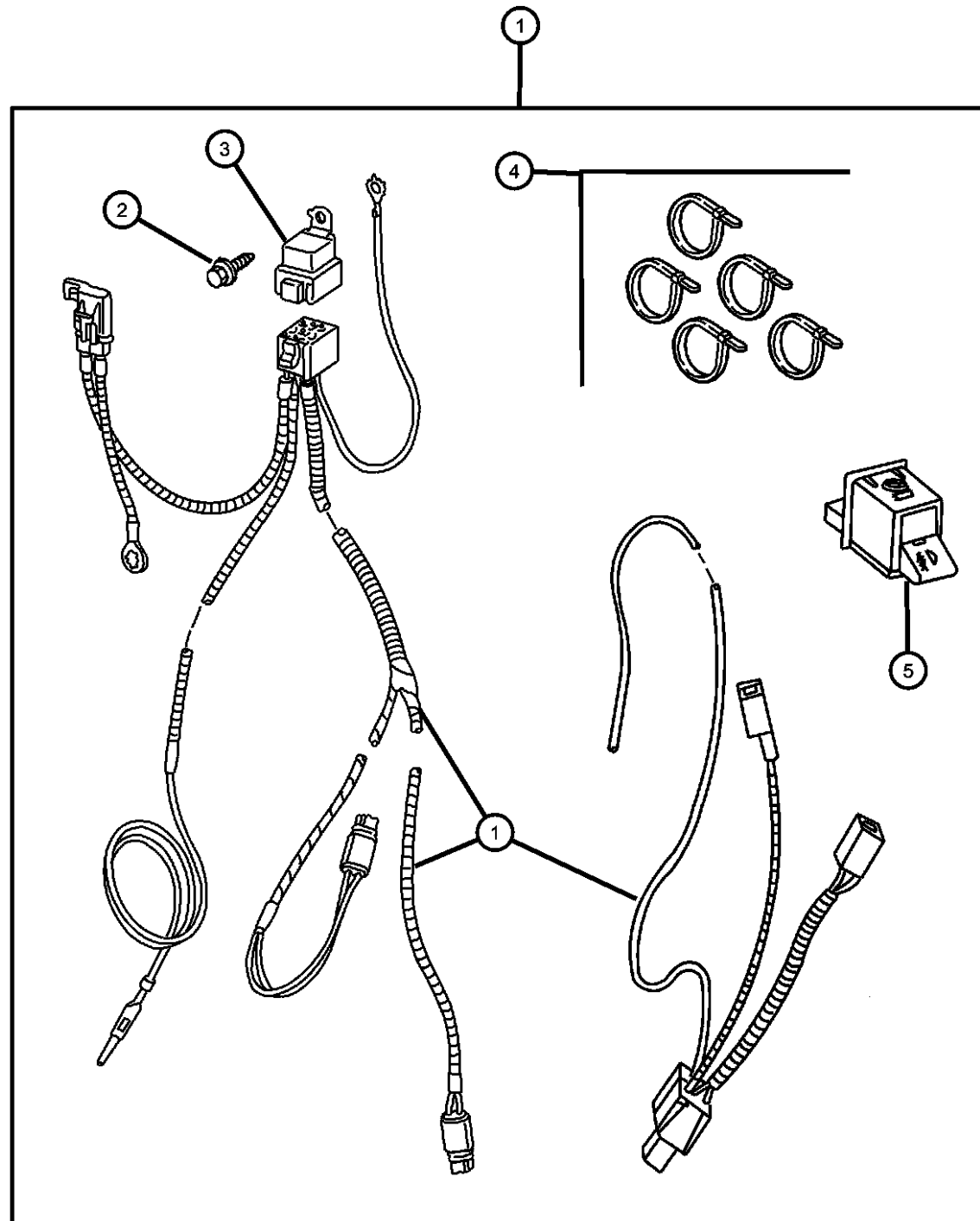
ENGINE
EPE = ENGINE - 2.5L POWER
TECH I-4 Cyl.
ERH = ENGINE - 4.0L
POWER TECH I-6

TRANSMISSION
DDD = TRANSMISSION - 5-SPEED
HD MANUAL
DDQ = TRANSMISSION - 5-SPEED
MANUAL
DGD = TRANSMISSION - 3-SPD.
AUTOMATIC,30RH
DGG = TRANSMISSION - 3-SPD.
AUTOMATIC,32RH
DGO = All Automatic Transmissions
DBB = All Manual Transmissions
DDO = All 5 Speed Manual
Transmissions

AR = use ase required - = Non illustrated part

2000 TJ

Wiring Kit - Auxiliary Lights
Figure 1-630



ITEM	PART NUMBER	QTY	LINE	SERIES	BODY	ENGINE	TRANS	TRIM	DESCRIPTION
1	82202394	1	J		77				INSTALL PACKAGE, Fog Light
2	00154552	1	J		77				SCREW, Hex Head, .190-16x.625
3	04638271	1	J		77				RELAY PACKAGE, Electrical
4	06015756	1	J		77				STRAP, Tie
5	56007247	1	J		77				SWITCH, Fog Lamp

WRANGLER (TJ)

SERIES	LINE
H = Sport	J = Wrangler 4WD
L = SE	U = Wrangler 4WD (RHD)
P = Sahara	

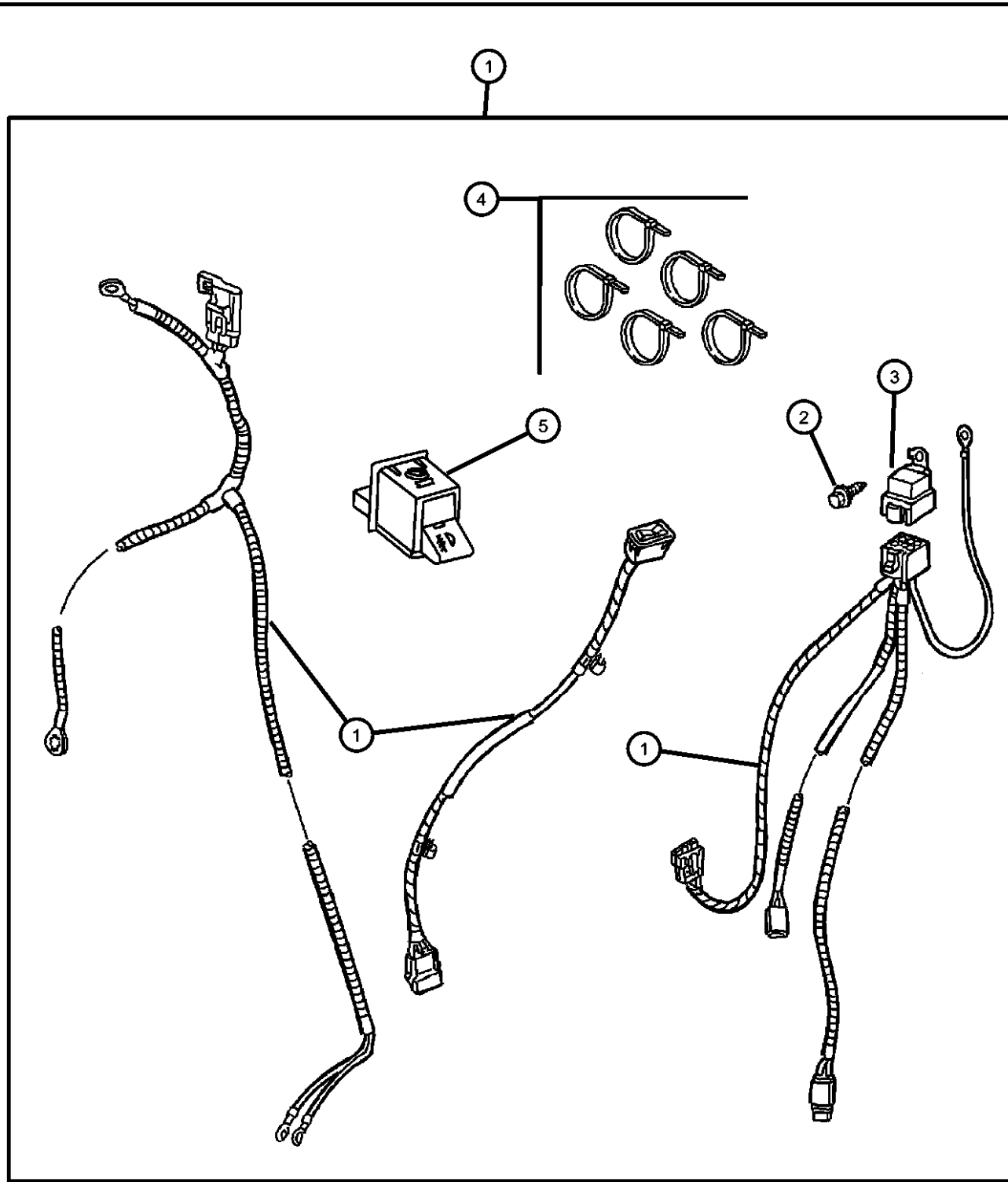
BODY
77 = 93.4 WB

ENGINE
EPE = ENGINE - 2.5L POWER TECH I-4 Cyl.
ERH = ENGINE - 4.0L POWER TECH I-6

TRANSMISSION
DDD = TRANSMISSION - 5-SPEED HD MANUAL
DDQ = TRANSMISSION - 5-SPEED MANUAL
DGD = TRANSMISSION - 3-SPD. AUTOMATIC,30RH
DGG = TRANSMISSION - 3-SPD. AUTOMATIC,32RH
DG0 = All Automatic Transmissions
DBB = All Manual Transmissions
DD0 = All 5 Speed Manual Transmissions

AR = use ase required - = Non illustrated part

Installation Package - Lights
Figure 1-642



ITEM	PART NUMBER	QTY	LINE	SERIES	BODY	ENGINE	TRANS	TRIM	DESCRIPTION
1	82202526	1	J		77				INSTALLATION PACKAGE, Off Road Light
2	00154552	1	J		77				SCREW, Hex Head, .190-16x.625
3	04638271	1	J		77				RELAY PACKAGE, Electrical
4	06015756	1	J		77				STRAP, Tie
5	05269430	1	J		77				SWITCH, Fog Lamp

WRANGLER (TJ)

SERIES LINE
H = Sport J = Wrangler 4WD
L = SE U = Wrangler 4WD (RHD)
P = Sahara

BODY
77 = 93.4 WB

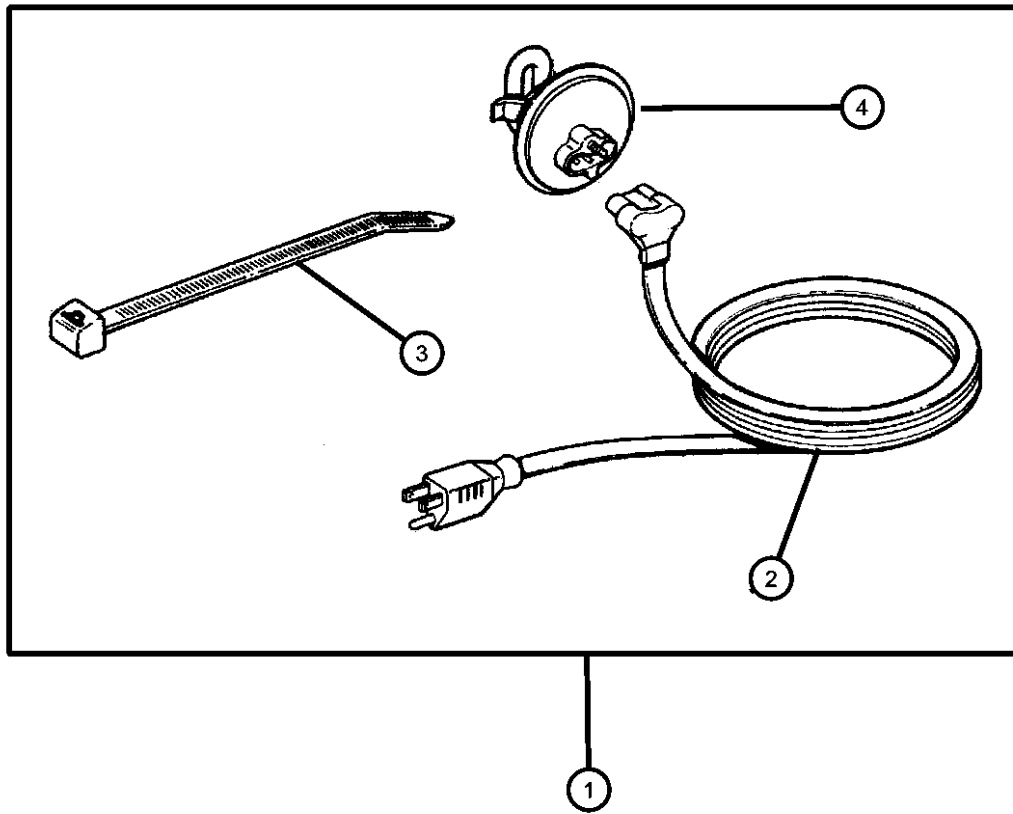
ENGINE
EPE = ENGINE - 2.5L POWER TECH I-4 Cyl.
ERH = ENGINE - 4.0L POWER TECH I-6

TRANSMISSION
DDD = TRANSMISSION - 5-SPEED HD MANUAL
DDQ = TRANSMISSION - 5-SPEED MANUAL
DGD = TRANSMISSION - 3-SPD. AUTOMATIC,30RH
DGG = TRANSMISSION - 3-SPD. AUTOMATIC,32RH
DG0 = All Automatic Transmissions
DBB = All Manual Transmissions
DD0 = All 5 Speed Manual Transmissions

AR = use ase required - = Non illustrated part

Heater Kit - Engine Block
Figure 1-650

ITEM	PART NUMBER	QTY	LINE	SERIES	BODY	ENGINE	TRANS	TRIM	DESCRIPTION
1	82201505	1							HEATER PACKAGE, Engine Block 2.5L Engine
	82201506	1							4.0L Engine
2	53000878	1	J		77				CORD, Engine Block Heater 2.5L Engine
	J5752677	1	J		77				4.0L Engine
3	06015756	3							STRAP, Tie
4	06015756	3							HEATER, Engine Block, Serviced only in package, (NOT SERVICED)



WRANGLER (TJ)

SERIES	LINE
H = Sport	J = Wrangler 4WD
L = SE	U = Wrangler 4WD (RHD)
P = Sahara	

BODY
77 = 93.4 WB

ENGINE
EPE = ENGINE - 2.5L POWER
TECH I-4 Cyl.
ERH = ENGINE - 4.0L
POWER TECH I-6

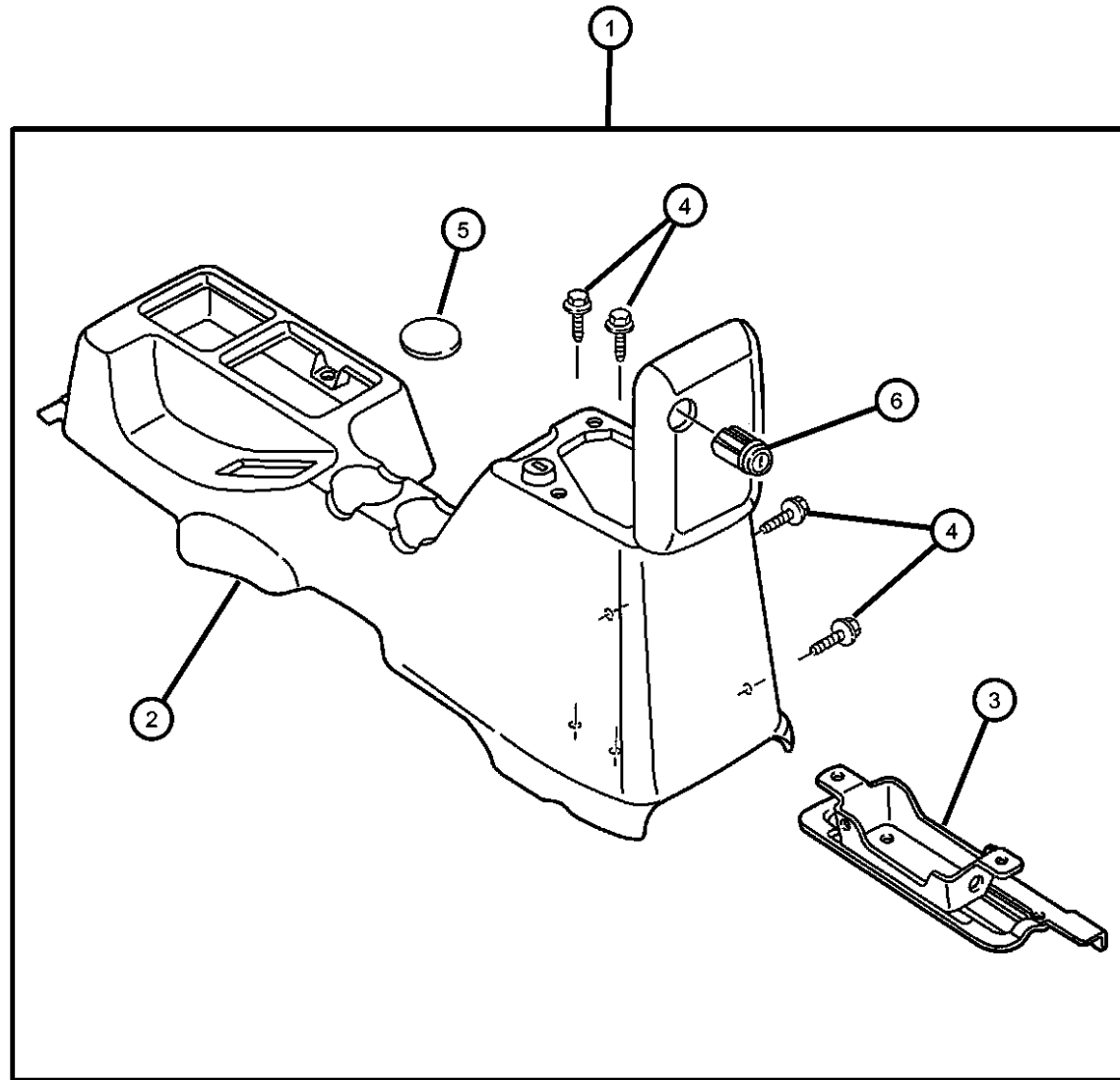
TRANSMISSION
DDD = TRANSMISSION - 5-SPEED
HD MANUAL
DDQ = TRANSMISSION - 5-SPEED
MANUAL
DGD = TRANSMISSION - 3-SPD.
AUTOMATIC,30RH
DGG = TRANSMISSION - 3-SPD.
AUTOMATIC,32RH
DG0 = All Automatic Transmissions
DBB = All Manual Transmissions
DD0 = All 5 Speed Manual
Transmissions

AR = use ase required - = Non illustrated part

2000 TJ

Console Kit - Floor
Figure 1-820

ITEM	PART NUMBER	QTY	LINE	SERIES	BODY	ENGINE	TRANS	TRIM	DESCRIPTION
1	82204774	1	J		77				CONSOLE PACKAGE, Center Agate
	82204775	1	J		77				Camel/Tan
2	0SJ871AZAA	1	J						CONSOLE, Floor Agate
	0SJ871K5AA	1	J						Camel/Tan
3	52128204	1							BRACKET, Parking Lever
4	52128204	1							SCREW, Hex Flange Head, M6.3x1.8x25.4, (NOT SERVICED)
5	55115669	2							MAT, Floor
6	04746305	1							CYLINDER, Console Lock



WRANGLER (TJ)

SERIES LINE BODY
H = Sport J = Wrangler 4WD 77 = 93.4 WB
L = SE U = Wrangler 4WD (RHD)
P = Sahara

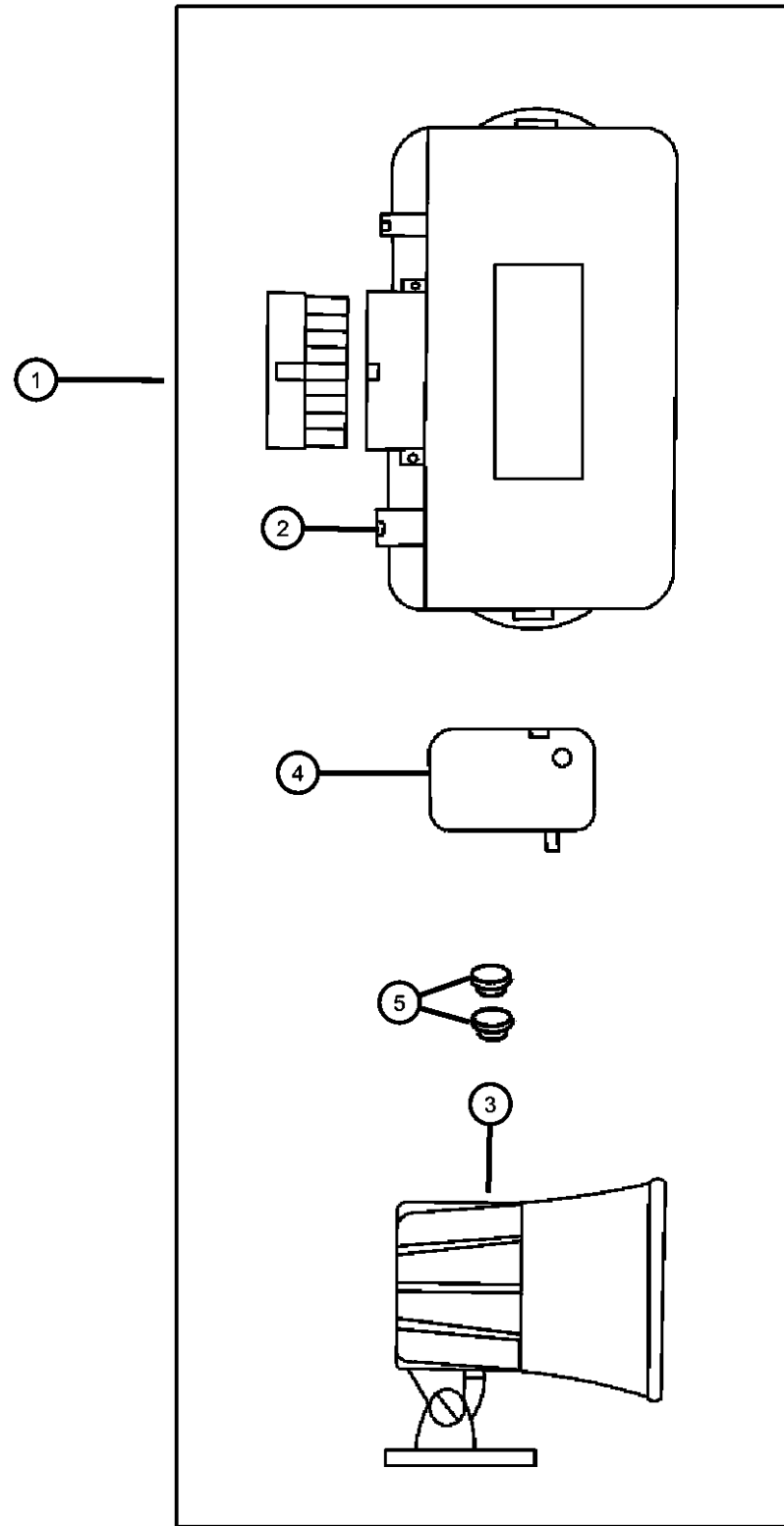
ENGINE
EPE = ENGINE - 2.5L POWER
TECH I-4 Cyl.
ERH = ENGINE - 4.0L
POWER TECH I-6

TRANSMISSION
DDD = TRANSMISSION - 5-SPEED
HD MANUAL
DDQ = TRANSMISSION - 5-SPEED
MANUAL
DGD = TRANSMISSION - 3-SPD.
AUTOMATIC,30RH
DGG = TRANSMISSION - 3-SPD.
AUTOMATIC,32RH
DGO = All Automatic Transmissions
DBB = All Manual Transmissions
DDO = All 5 Speed Manual
Transmissions

AR = use ase required - = Non illustrated part

2000 TJ

**Alarm - EVS Base System
Figure 1-910**



ITEM	PART NUMBER	QTY	LINE	SERIES	BODY	ENGINE	TRANS	TRIM	DESCRIPTION
------	-------------	-----	------	--------	------	--------	-------	------	-------------

NOTE: Item # 6 -Wiring Harness is an Optional Feature Ordered Separately

1	82203763	1	J		77				MODULE KIT, Alarm without Keyless
2	05012164AA	1	J		77				MODULE, Security Alarm
3	82203198	1	J		77				SIREN, Alarm
4	04886374AA	1	J		77				TRANSMITTER, Alarm or Keyless
5	04636141	1	J		77				BATTERY, Transmitter
-6	82204216	1	J		77				WIRING KIT, Park and Headlight

WRANGLER (TJ)

SERIES	LINE
H = Sport	J = Wrangler 4WD
L = SE	U = Wrangler 4WD (RHD)
P = Sahara	

BODY
77 = 93.4 WB

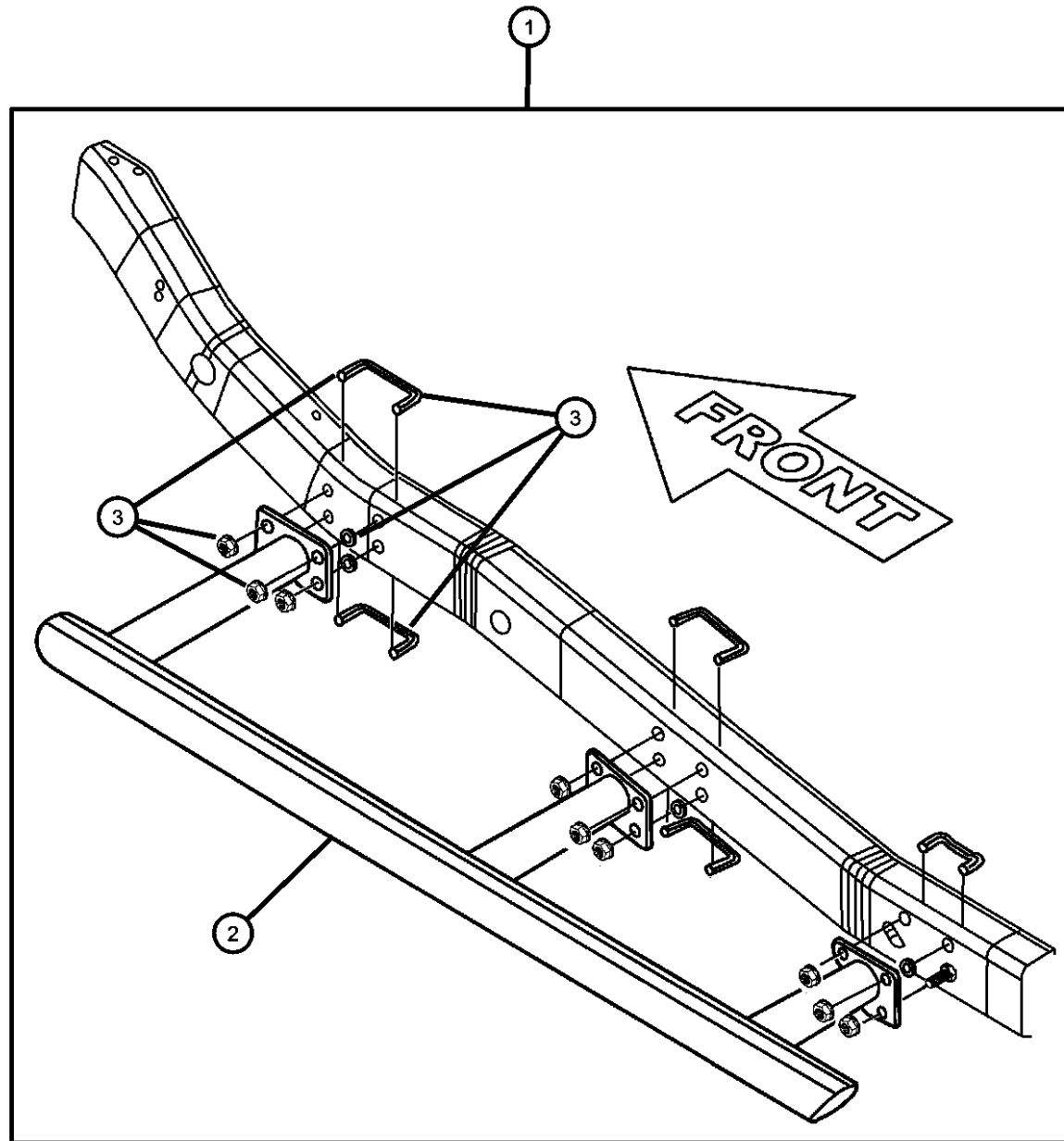
ENGINE
EPE = ENGINE - 2.5L POWER TECH I-4 Cyl.
ERH = ENGINE - 4.0L POWER TECH I-6

TRANSMISSION
DDD = TRANSMISSION - 5-SPEED HD MANUAL
DDQ = TRANSMISSION - 5-SPEED MANUAL
DGD = TRANSMISSION - 3-SPD. AUTOMATIC,30RH
DGG = TRANSMISSION - 3-SPD. AUTOMATIC,32RH
DG0 = All Automatic Transmissions
DBB = All Manual Transmissions
DD0 = All 5 Speed Manual Transmissions

AR = use ase required - = Non illustrated part

2000 TJ

Guard - Rock Rails
Figure 1-1020



ITEM	PART NUMBER	QTY	LINE	SERIES	BODY	ENGINE	TRANS	TRIM	DESCRIPTION
1	82204729	1	J		77				GUARD KIT, Bodyside, Contains two rails and all hardware necessary
2									GUARD, Bodyside
	05019780AA	1	J		77				Right
	05019781AA	1	J		77				Left
3	05019778AA	1							HARDWARE KIT, Bodyside Guard, Contains hardware necessary to install one rail

WRANGLER (TJ)

SERIES LINE
H = Sport J = Wrangler 4WD
L = SE U = Wrangler 4WD (RHD)
P = Sahara

BODY
77 = 93.4 WB

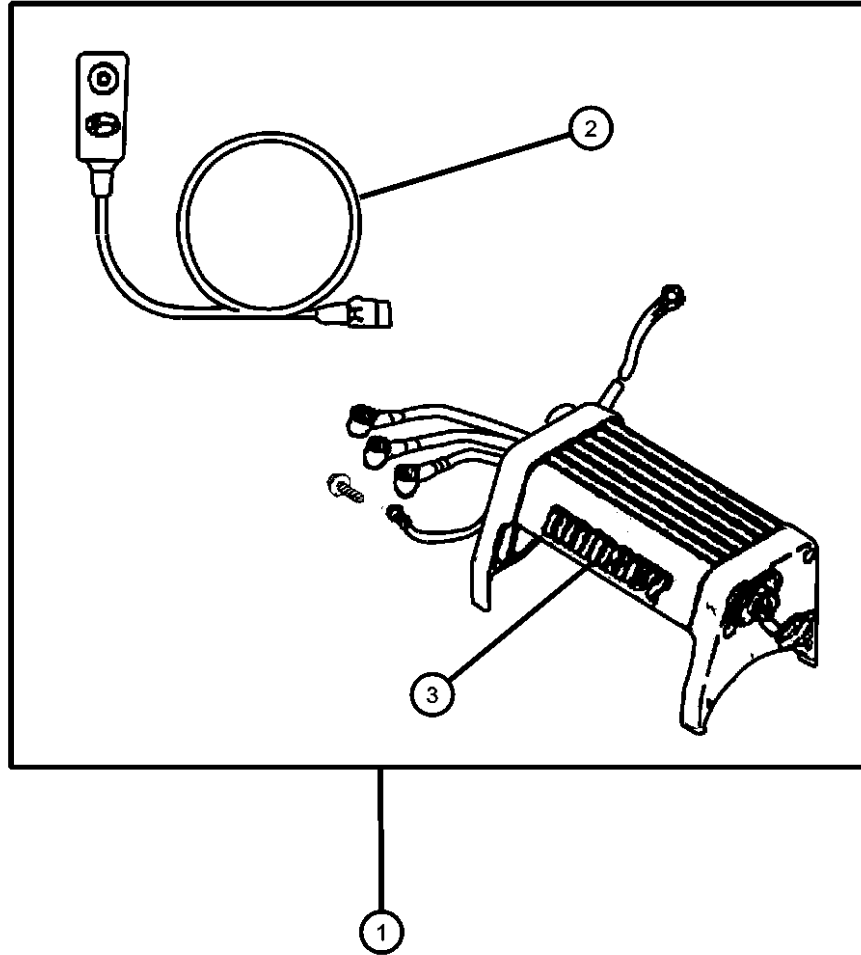
ENGINE
EPE = ENGINE - 2.5L POWER TECH I-4 Cyl.
ERH = ENGINE - 4.0L POWER TECH I-6

TRANSMISSION
DDD = TRANSMISSION - 5-SPEED HD MANUAL
DDQ = TRANSMISSION - 5-SPEED MANUAL
DGD = TRANSMISSION - 3-SPD. AUTOMATIC,30RH
DGG = TRANSMISSION - 3-SPD. AUTOMATIC,32RH
DG0 = All Automatic Transmissions
DBB = All Manual Transmissions
DD0 = All 5 Speed Manual Transmissions

AR = use ase required - = Non illustrated part

Winch Kit - Power
Figure 1-1030

ITEM	PART NUMBER	QTY	LINE	SERIES	BODY	ENGINE	TRANS	TRIM	DESCRIPTION
1									WINCH KIT, Power, Ramsey
	82204129	1	J		77				9000H Series with 95 foot Cable
	82204130	1	J		77				6000H Series
	82204131	1	J		77				8000H Series with 95 foot Cable
	82204134	1	J		77				8000HX Series
2	05018221AA	1	J		77				CABLE KIT, Winch, Switch Assembly is 12 feet long. Use only with Power Winch
3									SOLENOID, Winch
	05018363AA	1	J		77				Use for Kits 82204129, 82204130 and 82204131
	05018366AA	1	J		77				Use for Kit 82204134
-4									WINCH KIT, Warn
	82202191	1	J		77				8000 Pound capacity
	82202612	1	J		77				9000 Pound capacity
-5									CABLE KIT, Winch
	05018241AA	1	J		77				Use for Kit 82202612
	05018824AA	1	J		77				Use for Kit 82202191
-6	05018823AA	1	J		77				SOLENOID, Winch, Use for Kit 82202191



WRANGLER (TJ)

SERIES	LINE
H = Sport	J = Wrangler 4WD
L = SE	U = Wrangler 4WD (RHD)
P = Sahara	

BODY
77 = 93.4 WB

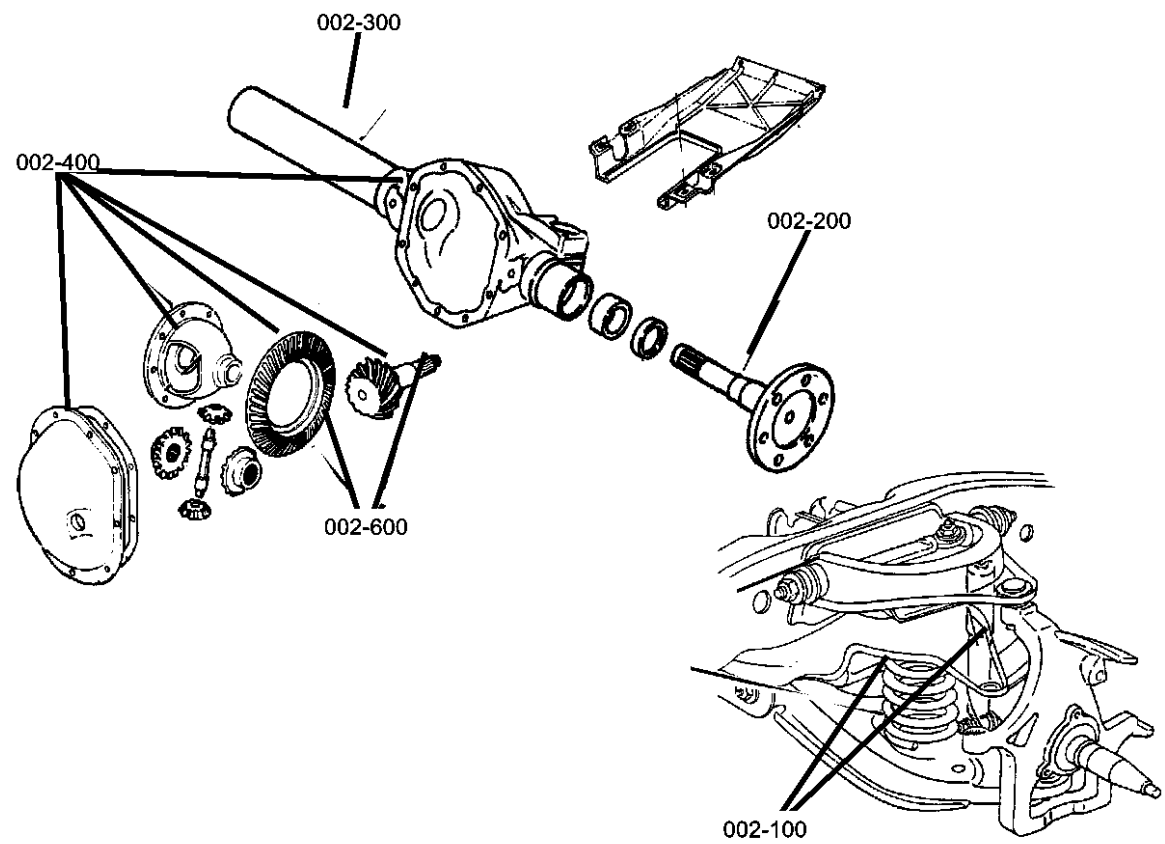
ENGINE
EPE = ENGINE - 2.5L POWER
TECH I-4 Cyl.
ERH = ENGINE - 4.0L
POWER TECH I-6

TRANSMISSION
DDD = TRANSMISSION - 5-SPEED
HD MANUAL
DDQ = TRANSMISSION - 5-SPEED
MANUAL
DGD = TRANSMISSION - 3-SPD.
AUTOMATIC,30RH
DGG = TRANSMISSION - 3-SPD.
AUTOMATIC,32RH
DG0 = All Automatic Transmissions
DBB = All Manual Transmissions
DD0 = All 5 Speed Manual
Transmissions

AR = use ase required - = Non illustrated part

Group - 2

Front Suspension & Drive



Group - 2 Front Suspension & Drive

Illustration Title

Group-Fig. No.

Front Suspension

Suspension, Front Spring with Control Arms and Track Bar	Fig. 2 - 110
Bar, Front Sway	Fig. 2 - 120

Front Axle Drive Shafts

Shafts,Front Axle	Fig. 2 - 210
-------------------------	--------------

Front Axle Housing

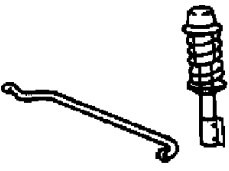
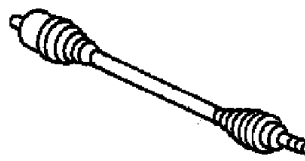
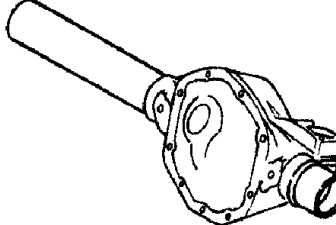
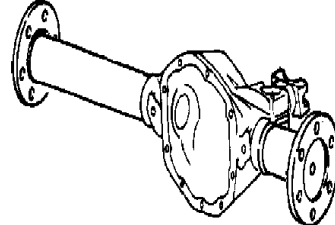
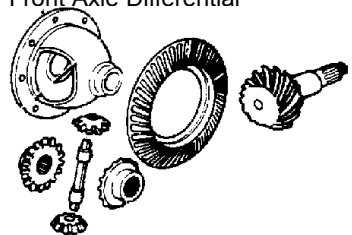
Housing, Front Axle 4 Wheel Drive	Fig. 2 - 310
---	--------------

Front Axle Assembly

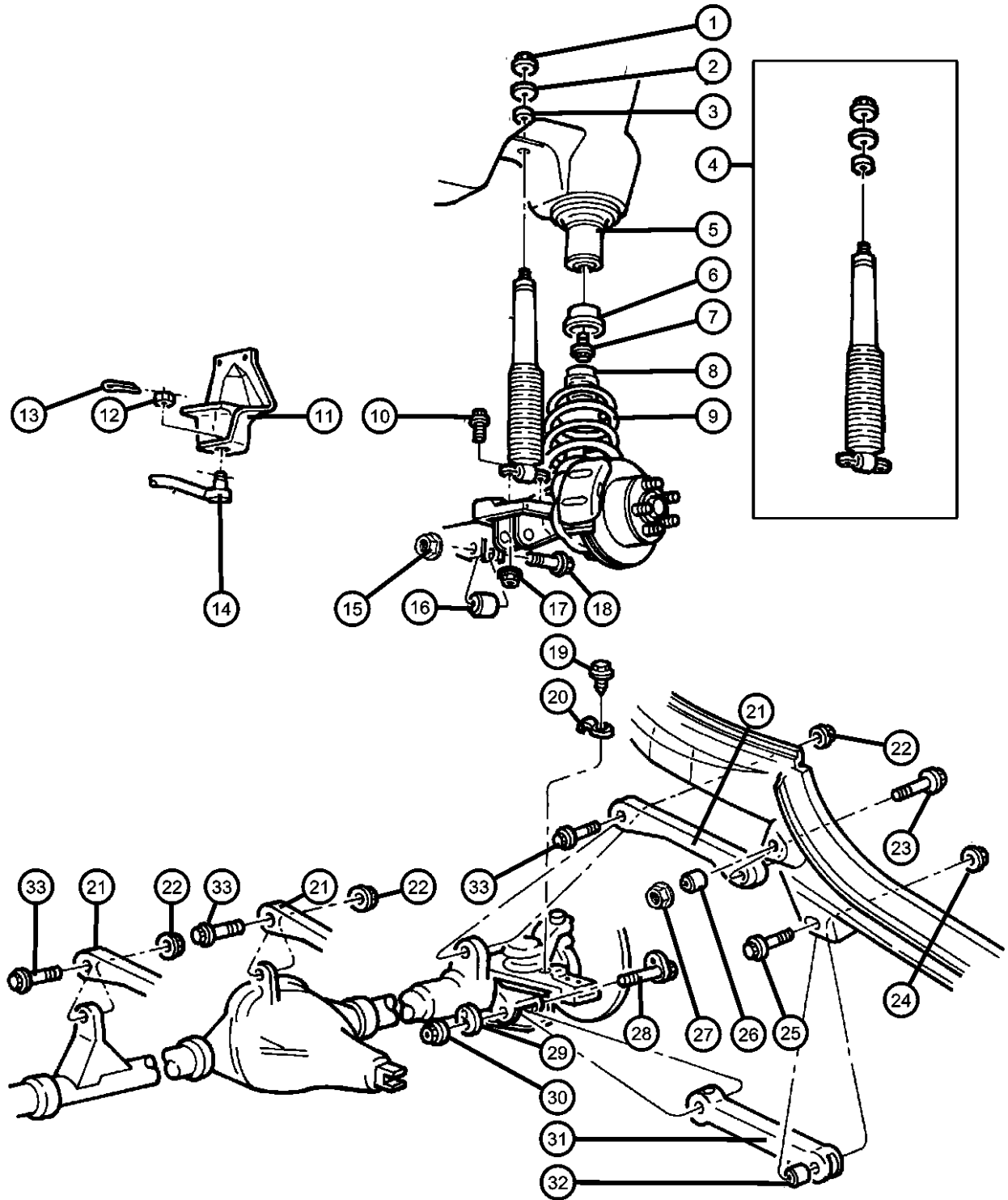
Axle Assembly, Front 4 Wheel Drive	Fig. 2 - 410
--	--------------

Front Axle Differential

Differential, Front Axle	Fig. 2 - 610
--------------------------------	--------------

<p>002-100 Front Suspension</p> 	<p>002-200 Front Axle Drive Shafts</p> 	<p>002-300 Front Axle Housing</p> 	<p>002-400 Front Axle Assembly</p> 
<p>002-600 Front Axle Differential</p> 			

Suspension, Front Spring with Control Arms and Track Bar
Figure 2-110



ITEM	PART NUMBER	QTY	LINE	SERIES	BODY	ENGINE	TRANS	TRIM	DESCRIPTION
------	-------------	-----	------	--------	------	--------	-------	------	-------------

Note:Sales Codes;
 [SDA]=Gas Charged/Normal Duty
 [SDU]=High Pressure Gas Charged
 [ZBD] Through [ZPG] = Spring Sales Codes will be found on Vehicle Identification Number [VIN] Sales Code Listing.

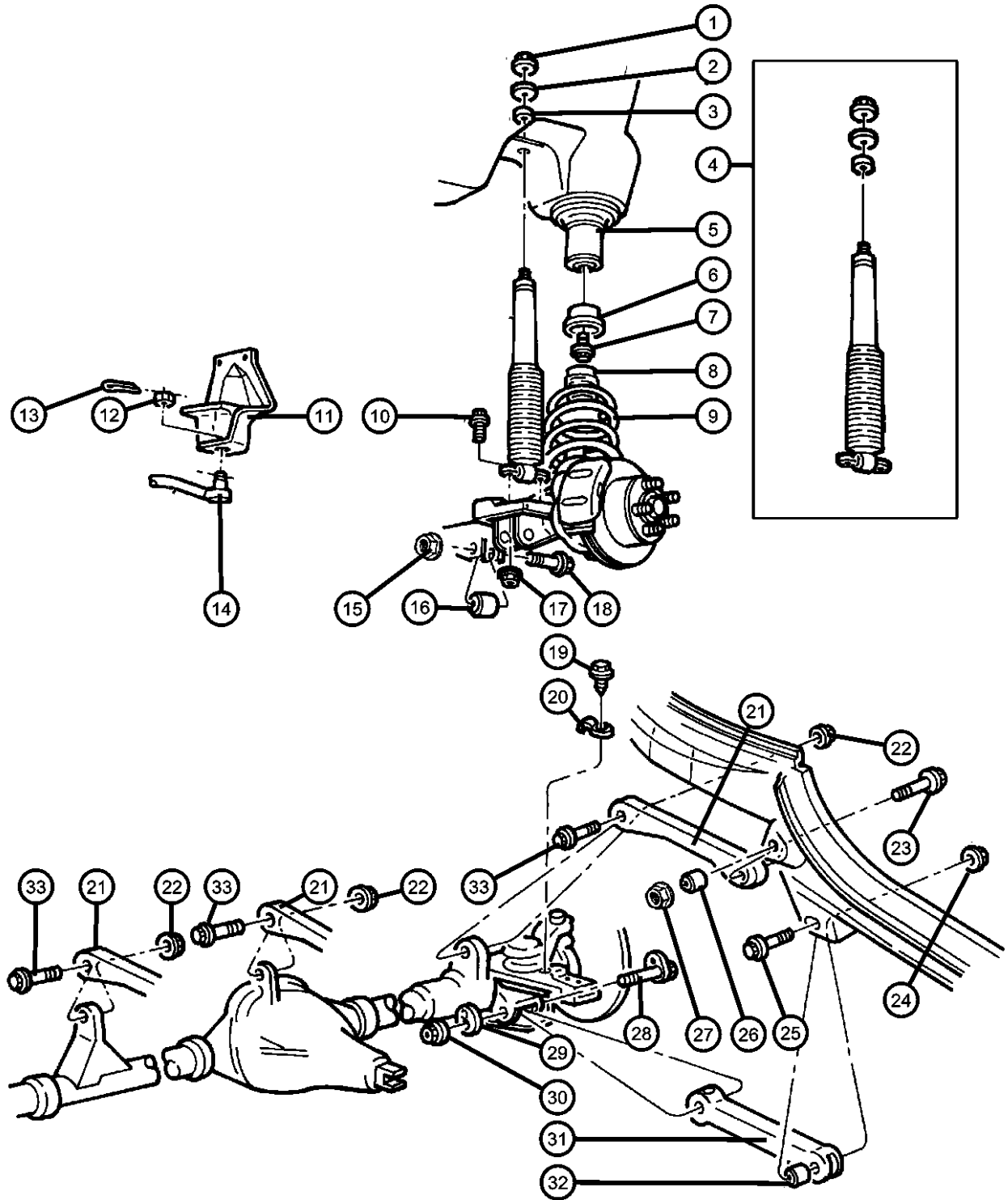
1	06502556	2							NUT, Hex, M10-1.5, Shock, Mounting
2	52005574	2							RETAINER, Shock Absorber, Shock, Mounting
3	52087768	2							GROMMET, Shock Absorber, Shock, Mounting
4									SHOCK ABSORBER PACKAGE, Suspension, Front
	04886533AE	2							[SDU]
	0SGR5128								Rancho Shock
	04897567AA	2							[SDA]
	0SGR5128								Rancho Shock
	0SGR5239								Rancho Shock
	0SG23196								Mopar V-Line Alternative Part
5	52087767	2							ISOLATOR, SpringUpper
6	52087635	2							CUP, Jounce BumperUpper
7	06100402	2							BOLT, Hex Head, M10x35, Jounce Bumper Cup, Mounting
8	52087992	2							BUMPER, JounceUpper
9									SPRING, Front Coil
	52088126AB	1							[ZBD, ZPD]
	52088127AB	1							[ZBE, ZPE]
	52088128AB	1							[ZBF, ZPF]
	52088129AB	1							[ZBG,ZPG]
10	06502555	4							BOLT, M8x1.25x30, Shock, Mounting
11	06502555	4							BRACKET, Track Bar to Rail, Purchase Frame, (NOT SERVICED)
12	06034358	1							NUT, Hex, .50-20, Track Bar to Frame, Mounting
13	06034358	1							PIN, Cotter, M3.2x28.00, (NOT SERVICED)

WRANGLER (TJ)				
SERIES	LINE	BODY	ENGINE	TRANSMISSION
H = Sport	J = Wrangler 4WD	77 = 93.4 WB	EPE = ENGINE - 2.5L POWER TECH I-4 Cyl.	DDD = TRANSMISSION - 5-SPEED HD MANUAL
L = SE	U = Wrangler 4WD (RHD)		ERH = ENGINE - 4.0L POWER TECH I-6	DDQ = TRANSMISSION - 5-SPEED MANUAL
P = Sahara				DGD = TRANSMISSION - 3-SPD. AUTOMATIC,30RH
				DGG = TRANSMISSION - 3-SPD. AUTOMATIC,32RH
				DG0 = All Automatic Transmissions
				DBB = All Manual Transmissions
				DD0 = All 5 Speed Manual Transmissions

AR = use ase required - = Non illustrated part

Suspension, Front Spring with Control Arms and Track Bar

Figure 2-110

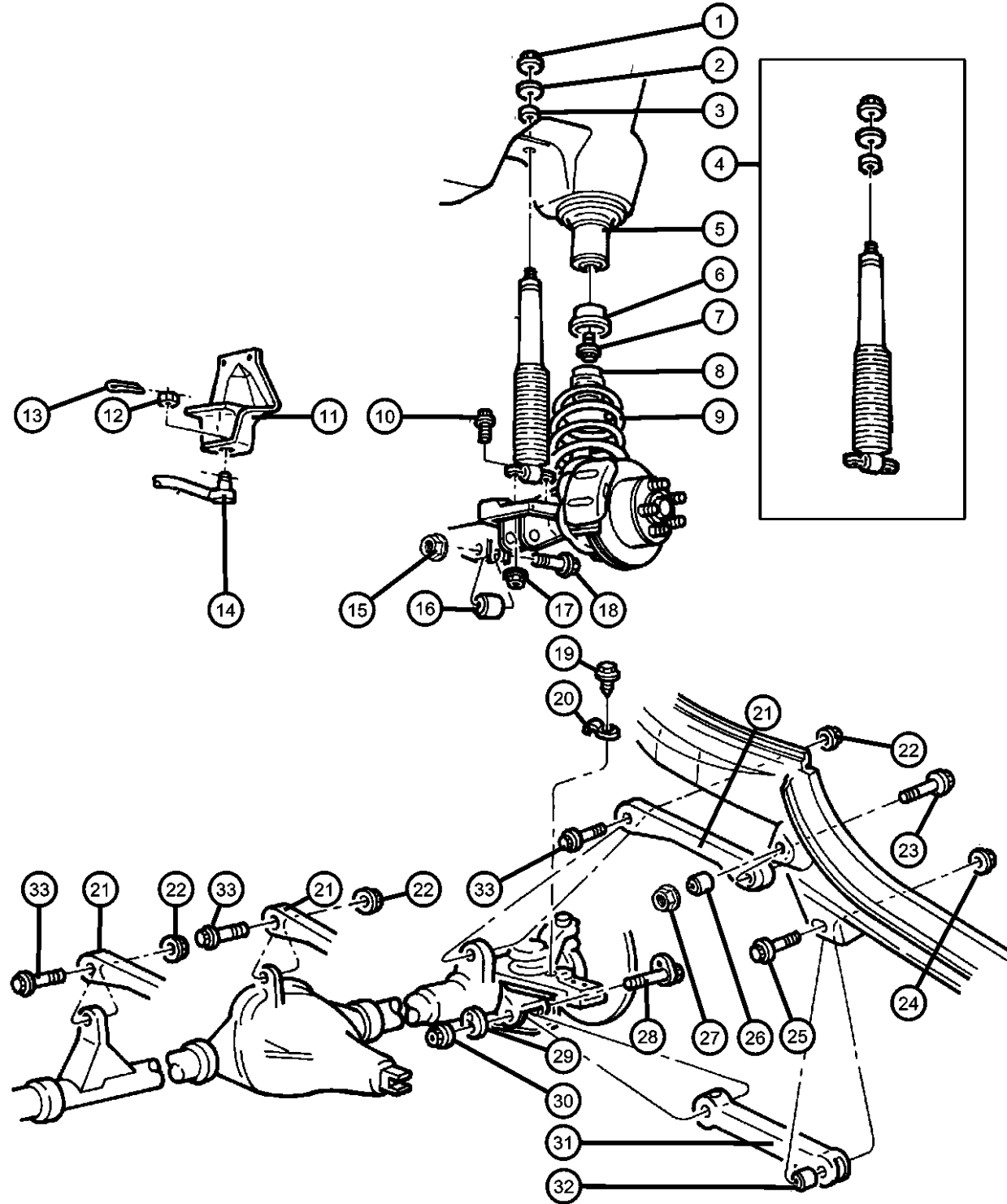


ITEM	PART NUMBER	QTY	LINE	SERIES	BODY	ENGINE	TRANS	TRIM	DESCRIPTION
14									BAR, Track
	52088430	1	U						
	52088432	1	J						
15									NUT, Hex Flange Lock, M10x1.5
	06506264AA	1	J						Track Bar To Axle, Mounting
	52087888	1	U						Track Bar To Axle, Mounting
16									BUSHING, Track Bar
	52088431	1	U						
		1	J						
17	06101695	4							NUT, Hex Flange Lock, Shock Lower, Mounting
18	06505549AA	1							SCREW, Track Bar to Axle, Mounting
19	06502468	2							SCREW, Hex Flange Head, M8x1.25x20, Coil Spring Retainer, Mounting
20	52005917	2							BRACKET, Spring, Coil Spring Retainer, Mounting
21	52087711	2							ARM, Control, with Bushings, Upper
22	11506007	2							NUT, Hex Flange, M10x1.5, UCA to Axle, Mounting
23	06503085	2							BOLT, Hex Flange Head, M10x1.50x78.20, UCA to Frame, Mounting
24	06503672	4							NUT, Hex, M14-2, LCA to Frame, Mounting
25	06502963	2							BOLT, Hex Flange Head, M14x2.0x105, LCA to Frame, Mounting
26	52087852	2							BUSHING, Control Arm, Upper Rear to Frame, Mounting
27	06503648	2							NUT AND RETAINER, Hex Flange Lock, m8x1.25, UCA to Frame, Mounting
28	06504238	2							BOLT AND WASHER, Hex Head, M14 x 2.00 x 111.6, LCA to Axle, Mounting

WRANGLER (TJ)
 SERIES LINE BODY ENGINE TRANSMISSION
 H = Sport J = Wrangler 4WD 77 = 93.4 WB EPE = ENGINE - 2.5L POWER TECH I-4 Cyl. DDD = TRANSMISSION - 5-SPEED HD MANUAL
 L = SE U = Wrangler 4WD (RHD) ERH = ENGINE - 4.0L POWER TECH I-6 DDQ = TRANSMISSION - 5-SPEED MANUAL
 P = Sahara DGD = TRANSMISSION - 3-SPD. AUTOMATIC,30RH
 DGG = TRANSMISSION - 3-SPD. AUTOMATIC,32RH
 DG0 = All Automatic Transmissions
 DBB = All Manual Transmissions
 DD0 = All 5 Speed Manual Transmissions

AR = use ase required - = Non illustrated part

Suspension, Front Spring with Control Arms and Track Bar
Figure 2-110



ITEM	PART NUMBER	QTY	LINE	SERIES	BODY	ENGINE	TRANS	TRIM	DESCRIPTION
29	06504236	2							WASHER, M14, LCA to Axle, Mounting
30	06503672	2							NUT, Hex, M14-2, LCA to Axle, Mounting
31	52088654	2							ARM, Control, with Bushings, Lower
32	52088433	4							BUSHING, Control Arm, LCA to Frame, Lower
33	06505154AA	2							BOLT, M10x1.50x75.00, UCA to Axle, Mounting

WRANGLER (TJ)

SERIES LINE BODY
 H = Sport J = Wrangler 4WD 77 = 93.4 WB
 L = SE U = Wrangler 4WD (RHD)
 P = Sahara

BODY
 77 = 93.4 WB

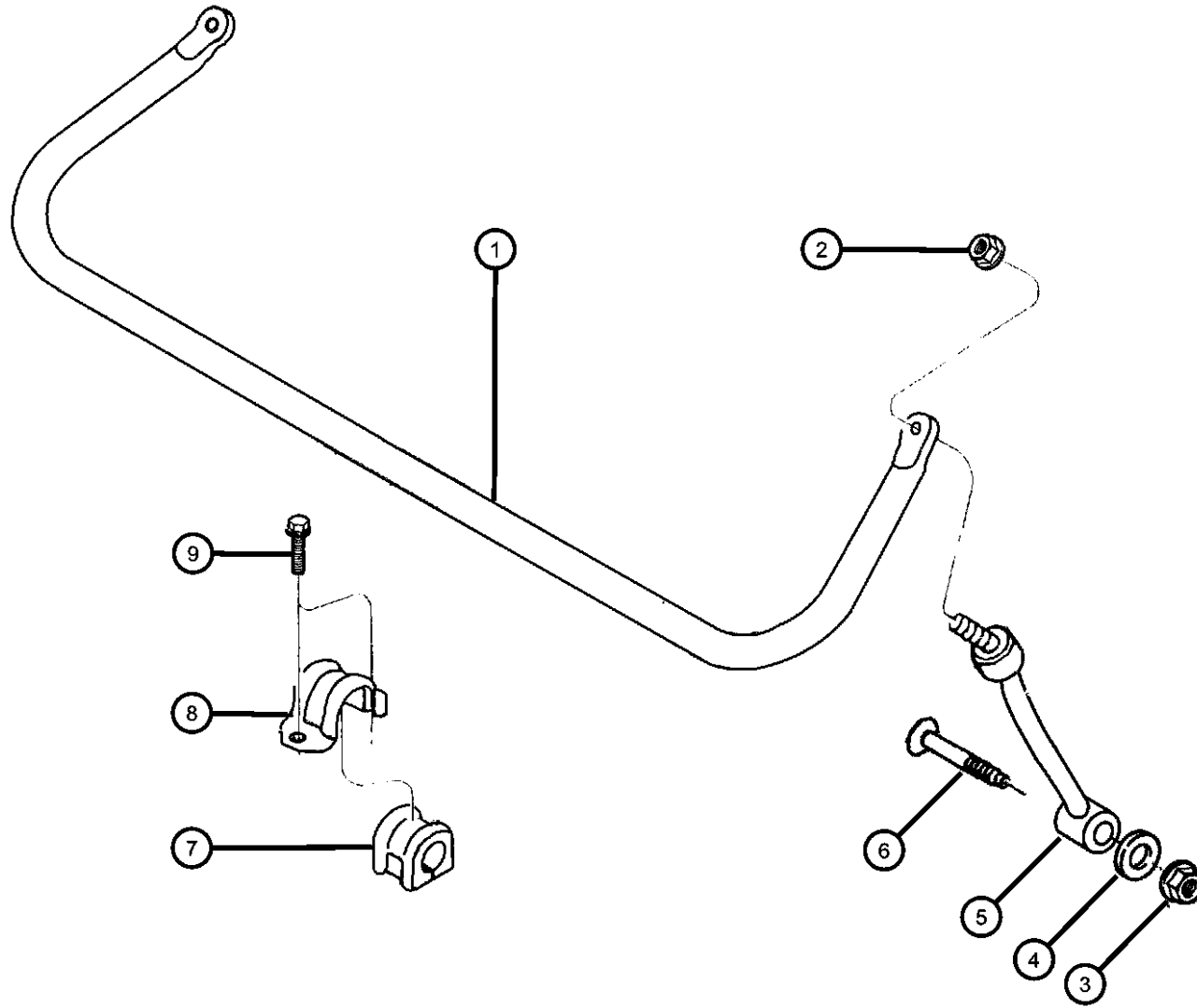
ENGINE
 EPE = ENGINE - 2.5L POWER TECH I-4 Cyl.
 ERH = ENGINE - 4.0L POWER TECH I-6

TRANSMISSION
 DDD = TRANSMISSION - 5-SPEED HD MANUAL
 DDQ = TRANSMISSION - 5-SPEED MANUAL
 DGD = TRANSMISSION - 3-SPD. AUTOMATIC,30RH
 DGG = TRANSMISSION - 3-SPD. AUTOMATIC,32RH
 DG0 = All Automatic Transmissions
 DBB = All Manual Transmissions
 DD0 = All 5 Speed Manual Transmissions

AR = use ase required - = Non illustrated part

2000 TJ

Bar, Front Sway
Figure 2-120



ITEM	PART NUMBER	QTY	LINE	SERIES	BODY	ENGINE	TRANS	TRIM	DESCRIPTION
1	52087824	1							STABILIZER BAR, Front Suspension
2	06502979	2							NUT AND WASHER, Hex, M10x1.5
3	06502697	2							NUT, Hex Flange Lock, M12x1.75
4	06502697	2							WASHER, ID 13.07 OD 40.00 THK 3.50, (NOT SERVICED)
5	52087771AB	2							LINK, Sway Eliminator
6	06505465AA	2							SCREW, Truss Head, M12x1.75x70
7	52088378	2							BUSHING, Sway Bar
8	52037710	2							RETAINER, Sway Bar
9	06102037AA	4							SCREW AND WASHER, Hex Head, M10x1.50x35

WRANGLER (TJ)

SERIES LINE
H = Sport J = Wrangler 4WD
L = SE U = Wrangler 4WD (RHD)
P = Sahara

BODY
77 = 93.4 WB

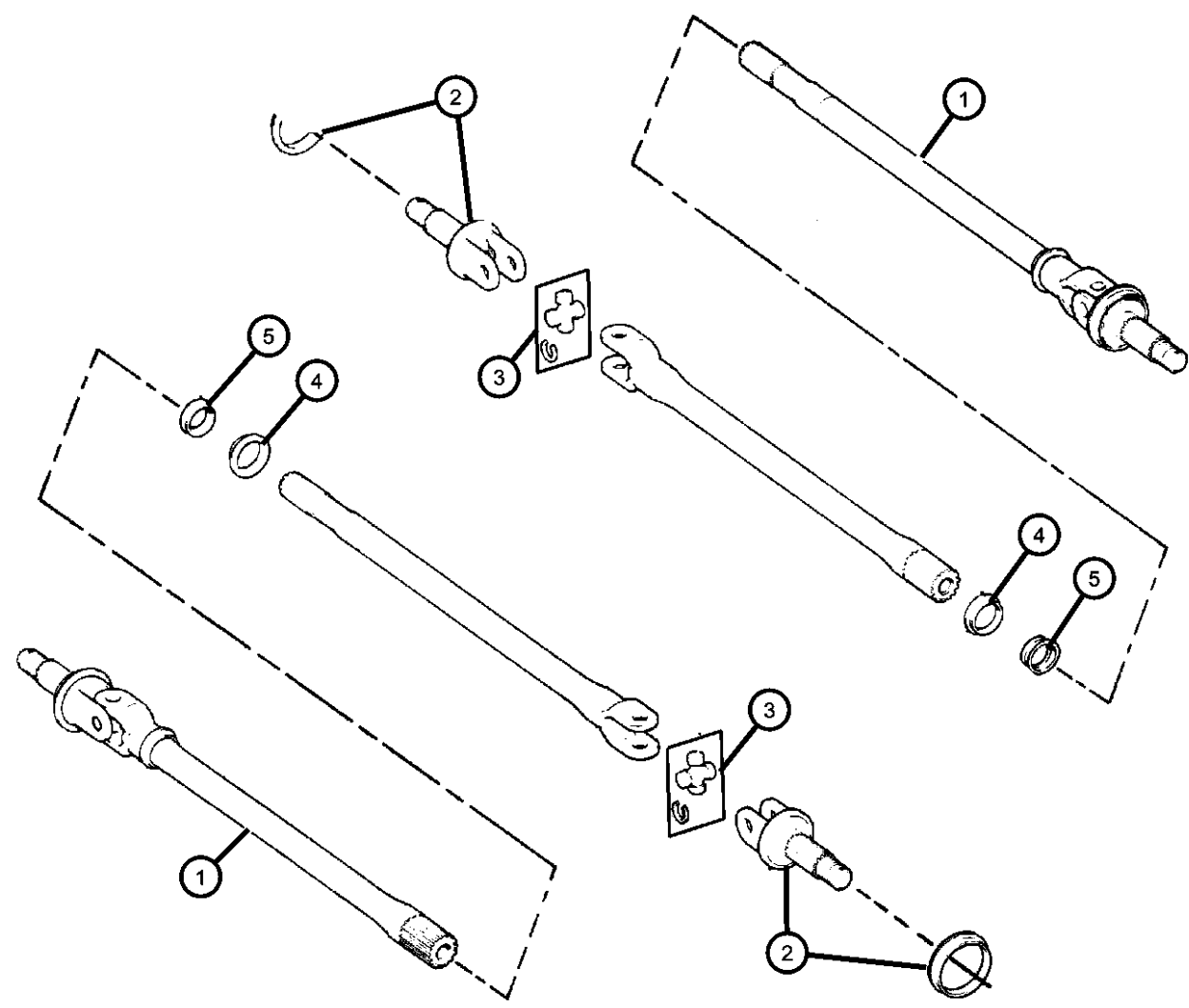
ENGINE
EPE = ENGINE - 2.5L POWER TECH I-4 Cyl.
ERH = ENGINE - 4.0L POWER TECH I-6

TRANSMISSION
DDD = TRANSMISSION - 5-SPEED HD MANUAL
DDQ = TRANSMISSION - 5-SPEED MANUAL
DGD = TRANSMISSION - 3-SPD. AUTOMATIC,30RH
DGG = TRANSMISSION - 3-SPD. AUTOMATIC,32RH
DG0 = All Automatic Transmissions
DBB = All Manual Transmissions
DD0 = All 5 Speed Manual Transmissions

AR = use ase required - = Non illustrated part

2000 TJ

**Shafts,Front Axle
Figure 2-210**



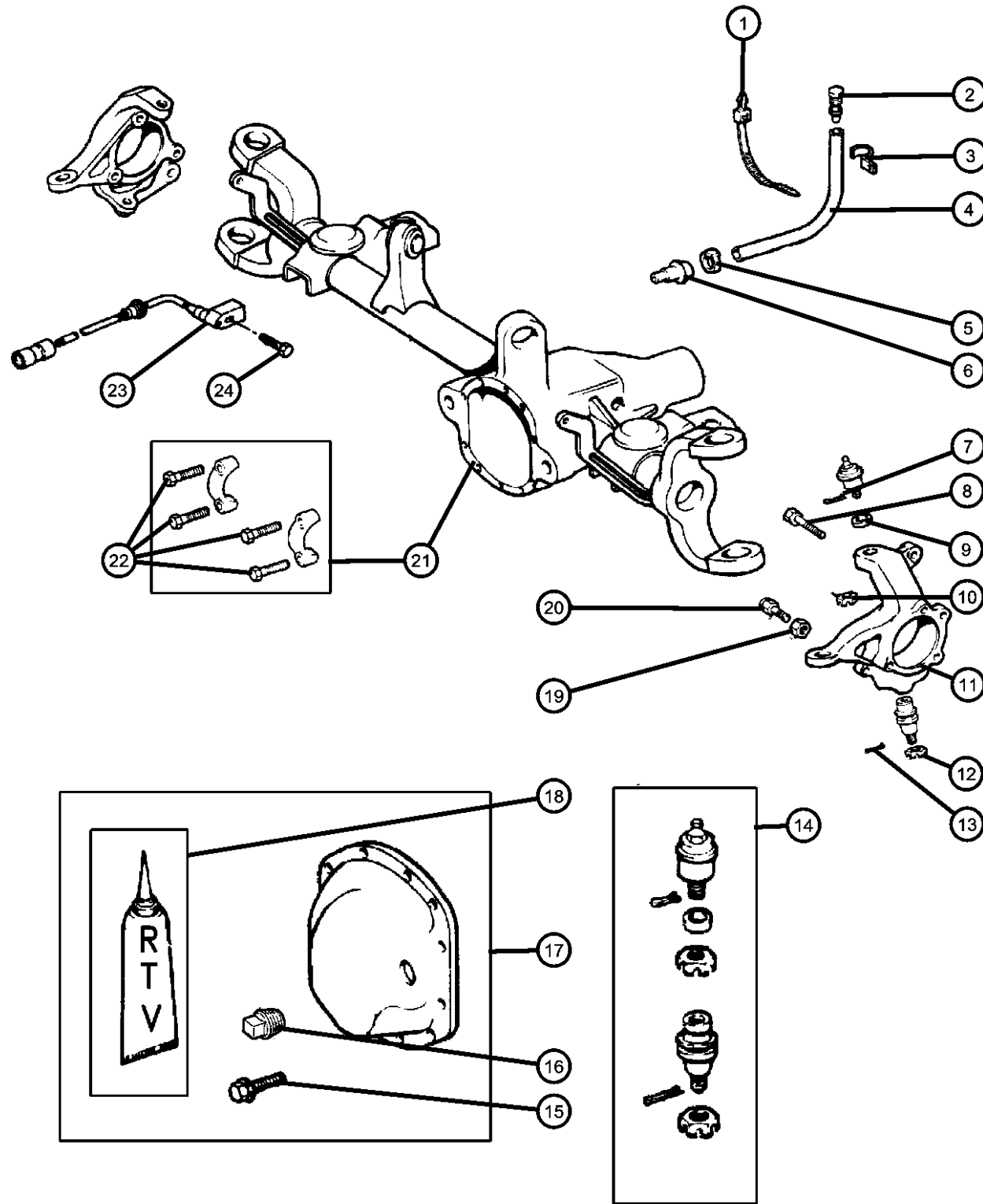
ITEM	PART NUMBER	QTY	LINE	SERIES	BODY	ENGINE	TRANS	TRIM	DESCRIPTION
1									SHAFT, Axle
	04874302	1	J						[BGA], Right
		1	U						[BGA], Right
	04874303	1	J						[BGA], Left
		1	U						[BGA], Left
	04874306	1	J						[BGK], Right
	04874307	1	J						[BGK], Left
2									SHAFT, Stub
	04728984	2	J						[BGK], Right or Left
	83500184	2	J						[BGA], Right or Left
		2	U						[BGA], Right or Left
3									U JOINT, Front Axle
	04137757	2	J						Right or Left
		2	U						Right or Left
4									SLINGER, Oil
	04882135	2	U						
		2	J						
5									SEAL, Axle Drive Shaft
	04874477	2	J						
		2	U						

WRANGLER (TJ)

SERIES	LINE	BODY	ENGINE	TRANSMISSION
H = Sport	J = Wrangler 4WD	77 = 93.4 WB	EPE = ENGINE - 2.5L POWER TECH I-4 Cyl.	DDD = TRANSMISSION - 5-SPEED HD MANUAL
L = SE	U = Wrangler 4WD (RHD)		ERH = ENGINE - 4.0L POWER TECH I-6	DDQ = TRANSMISSION - 5-SPEED MANUAL
P = Sahara				DGD = TRANSMISSION - 3-SPD. AUTOMATIC,30RH
				DGG = TRANSMISSION - 3-SPD. AUTOMATIC,32RH
				DG0 = All Automatic Transmissions
				DBB = All Manual Transmissions
				DD0 = All 5 Speed Manual Transmissions

AR = use ase required - = Non illustrated part

Housing, Front Axle 4 Wheel Drive
Figure 2-310



ITEM	PART NUMBER	QTY	LINE	SERIES	BODY	ENGINE	TRANS	TRIM	DESCRIPTION
1	J4175376	1							STRAP, Tie
2	J5352955	1							VENT, AxleUpper
3	J0140780	1							CLIP, Wrap Around
4	HFV00516	1							HOSE, Fuel And Vapor, 25 Foot Roll 5/16"
5	06503573	1							CLIP
6									VENT, Axle
	04720944	1	U						
		1	J						
7									PIN, Cotter, M4x40.00
	11010069	6	U						
		6	J						
8									BOLT
	34201535	6	U						
		6	J						
9									RING, Ball Joint
	83500203	2	U						
		2	J						
10									NUT, Hex Slotted
	J0125258	2	U						
		2	J						
11									KNUCKLE, Front
	52067576	1	U						Right
		1	J						Right
	52067577	1	J						Left
		1	U						Left
12									NUT
	J8123318	2	U						
		2	J						
13									PIN, Cotter, M4x40.00
	11010069	6	U						

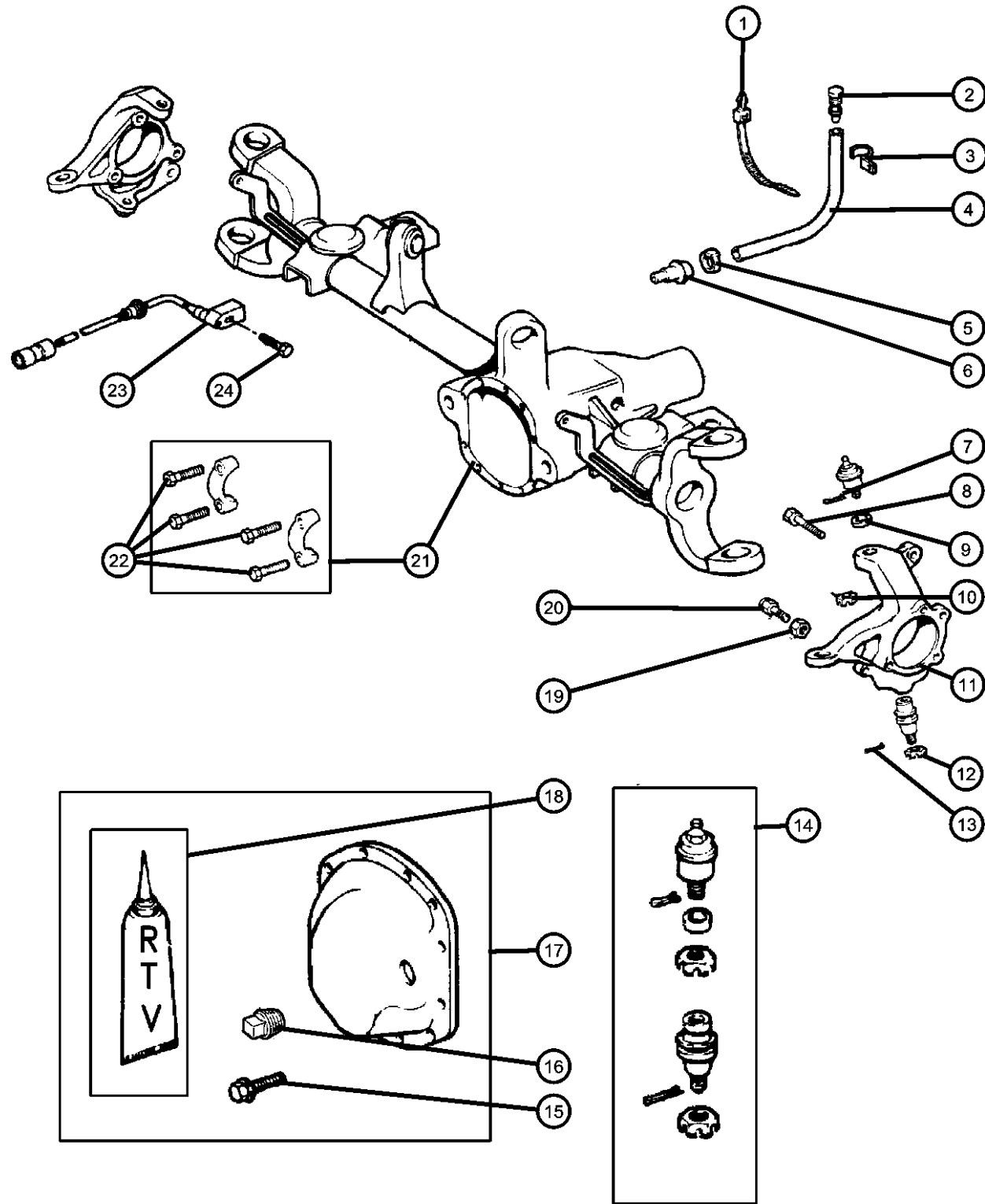
WRANGLER (TJ)

SERIES LINE BODY ENGINE TRANSMISSION
H = Sport J = Wrangler 4WD 77 = 93.4 WB
L = SE U = Wrangler 4WD (RHD)
P = Sahara

ENGINE TRANSMISSION
EPE = ENGINE - 2.5L POWER TECH I-4 Cyl.
ERH = ENGINE - 4.0L POWER TECH I-6
DDD = TRANSMISSION - 5-SPEED HD MANUAL
DDQ = TRANSMISSION - 5-SPEED MANUAL
DGD = TRANSMISSION - 3-SPD. AUTOMATIC,30RH
DGG = TRANSMISSION - 3-SPD. AUTOMATIC,32RH
DGO = All Automatic Transmissions
DBB = All Manual Transmissions
DD0 = All 5 Speed Manual Transmissions

AR = use ase required - = Non illustrated part

Housing, Front Axle 4 Wheel Drive
Figure 2-310



ITEM	PART NUMBER	QTY	LINE	SERIES	BODY	ENGINE	TRANS	TRIM	DESCRIPTION
14		6	J						BALL JOINT KIT, Knuckle
	83500202	2	U						
		2	J						
15		10	J						BOLT, Differential Cover
	02954031	10	U						
16		1	J						PLUG, Differential Cover
	J4004751	1	U						
17		1	U						COVER, Differential
	04713451	1	J						
18		1	J						SEALANT, RTV
	05010884AA	1	U						
19		2	U						NUT, Steering Knuckle
	S0114494	2	J						
20		2	U						BOLT, Steering Knuckle Stop
	01791701	2	J						
21		2	J						HOUSING, Axle
	04864840	1	J						
	04864904	1	U						
22		4	J						BOLT, Differential
	04897482AB	4	U						
	05003648AA	4	J						
23		2	J						SENSOR, Anti-Lock Brakes
	56027727	2	J						
24		2	J						BOLT
	83504920	2	J						

WRANGLER (TJ)

SERIES LINE
 H = Sport J = Wrangler 4WD
 L = SE U = Wrangler 4WD (RHD)
 P = Sahara

BODY
 77 = 93.4 WB

ENGINE
 EPE = ENGINE - 2.5L POWER
 TECH I-4 Cyl.
 ERH = ENGINE - 4.0L
 POWER TECH I-6

TRANSMISSION
 DDD = TRANSMISSION - 5-SPEED
 HD MANUAL
 DDQ = TRANSMISSION - 5-SPEED
 MANUAL
 DGD = TRANSMISSION - 3-SPD.
 AUTOMATIC,30RH
 DGG = TRANSMISSION - 3-SPD.
 AUTOMATIC,32RH
 DG0 = All Automatic Transmissions
 DBB = All Manual Transmissions
 DD0 = All 5 Speed Manual
 Transmissions

AR = use ase required - = Non illustrated part

2000 TJ

**Axle Assembly, Front 4 Wheel Drive
Figure 2-410**

ITEM	PART NUMBER	QTY	LINE	SERIES	BODY	ENGINE	TRANS	TRIM	DESCRIPTION
------	-------------	-----	------	--------	------	--------	-------	------	-------------

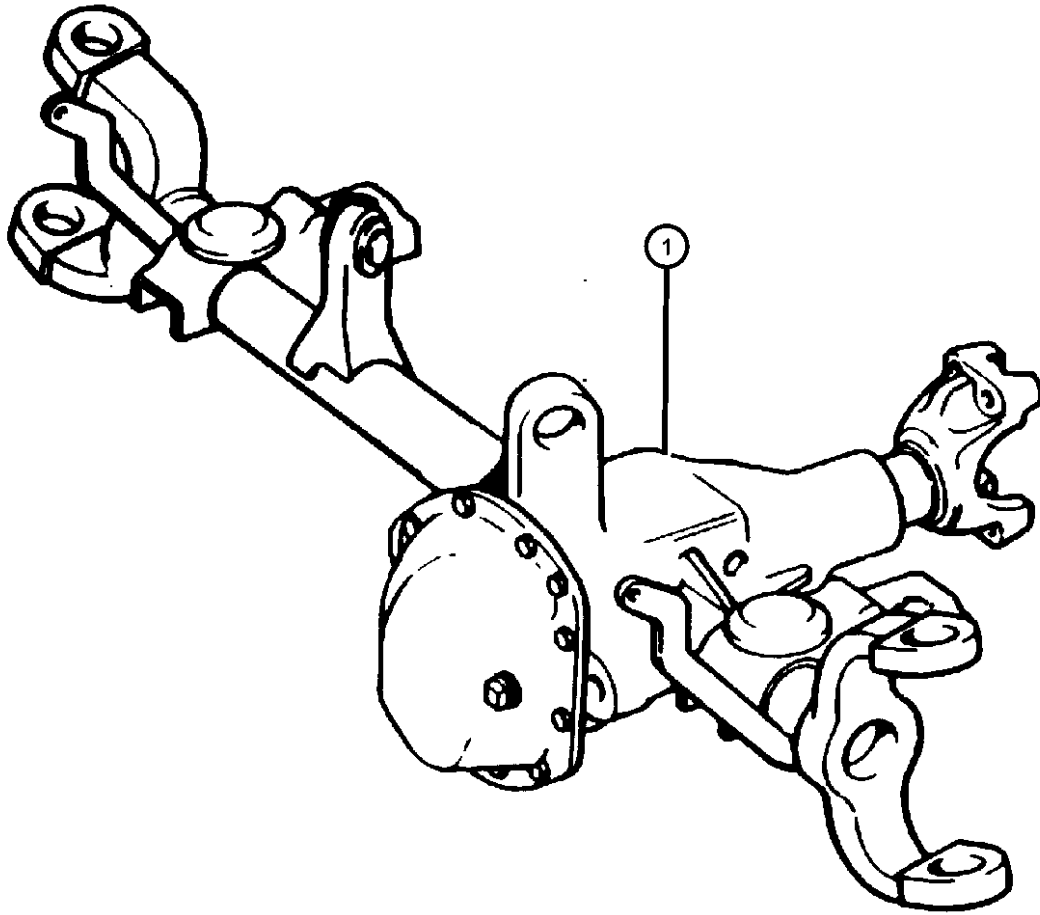
Note:Sales Codes;
[DME]=Axle Ratio - 3.73
[DMF]=Axle Ratio - 4.10
[DMM]=Axle Ratio - 3.07

1

04864841	1	J							
	1	J							
04864852	1	J							
	1	J							
04864910	1	J							
04882155	1	U							
04882337	1	U							

AXLE, Service Front

[DME] Tag 52099200AC
[DME] Tag 52111033AC
[DMM] Tag 52099198AC
[DMM] Tag 52099227AC
[DMF] Tag 52099226AC
[DMM] Tag 52099454AD
[DME] Tag 52099450AD



WRANGLER (TJ)

SERIES	LINE
H = Sport	J = Wrangler 4WD
L = SE	U = Wrangler 4WD (RHD)
P = Sahara	

BODY
77 = 93.4 WB

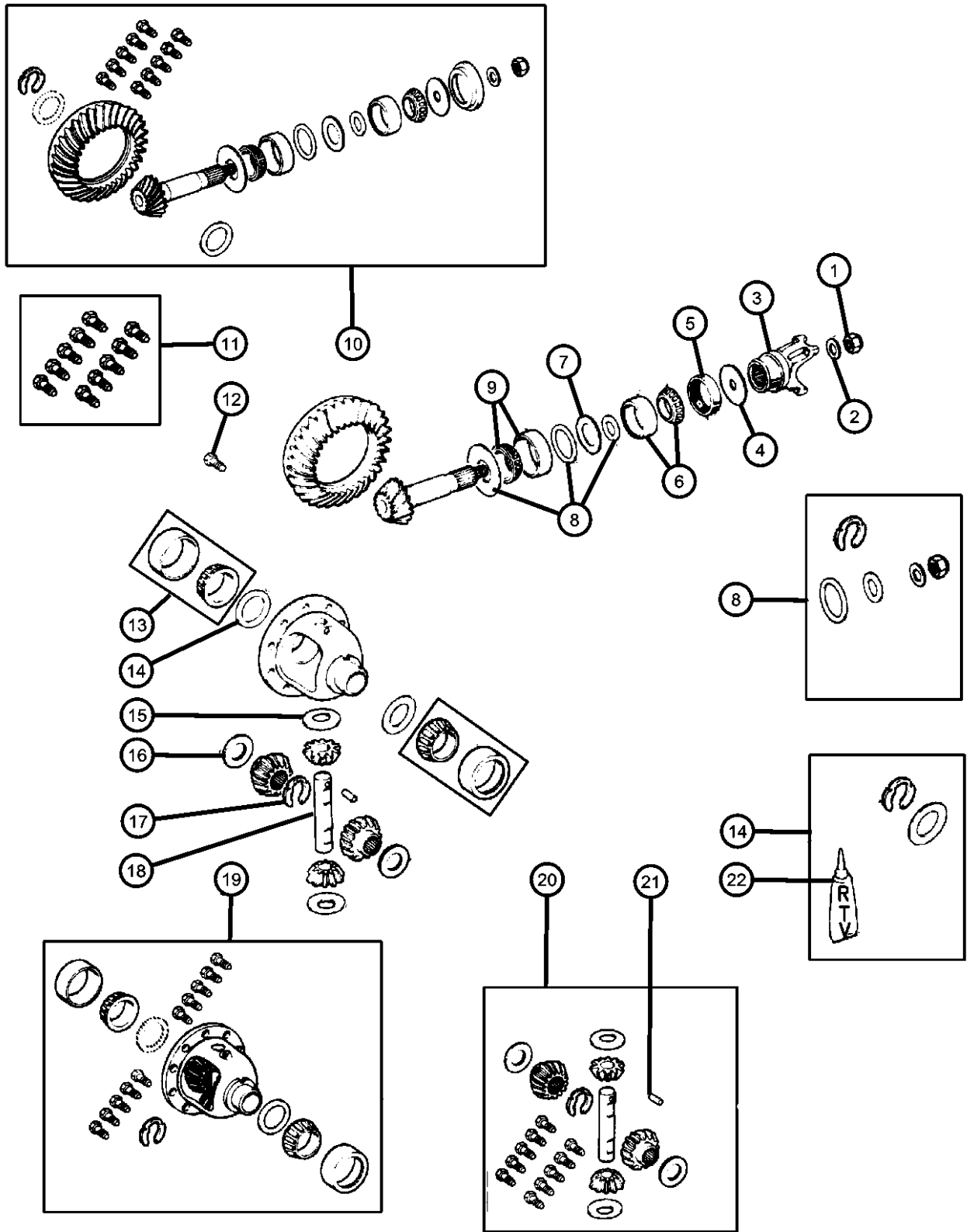
ENGINE
EPE = ENGINE - 2.5L POWER TECH I-4 Cyl.
ERH = ENGINE - 4.0L POWER TECH I-6

TRANSMISSION
DDD = TRANSMISSION - 5-SPEED HD MANUAL
DDQ = TRANSMISSION - 5-SPEED MANUAL
DGD = TRANSMISSION - 3-SPD. AUTOMATIC,30RH
DGG = TRANSMISSION - 3-SPD. AUTOMATIC,32RH
DG0 = All Automatic Transmissions
DBB = All Manual Transmissions
DD0 = All 5 Speed Manual Transmissions

AR = use ase required - = Non illustrated part

2000 TJ

Differential, Front Axle
Figure 2-610



ITEM	PART NUMBER	QTY	LINE	SERIES	BODY	ENGINE	TRANS	TRIM	DESCRIPTION
1									NUT, Pinion Yoke
	01791575	1	J						
		1	U						
2									WASHER, Pinion Yoke
	01791576	1	J						
		1	U						
3									YOKE, Axle
	83503388	1	J						
		1	U						
4									SLINGER, Drive Pinion
	04031974	1	J						
		1	U						
5									SEAL, Drive Pinion
	04746772	1	J						
		1	U						
6									BEARING, Drive Pinion Bearing and Cup, Front Bearing and Cup, Front
	05252508	1	J						
		1	U						
7									SPACER Crush Crush
	04864845	1	J						
		1	U						
8									SHIM KIT, Pinion Shaft
	04720862	1	J						
		1	U						
9									BEARING, Drive Pinion Bearing and Cup, Rear Bearing and Cup, Rear
	J8126499	1	J						
		1	U						
10									GEAR KIT, Ring And Pinion [DME] [DME]
	04864843	1	U						
		1	J						

WRANGLER (TJ)

SERIES LINE
H = Sport J = Wrangler 4WD
L = SE U = Wrangler 4WD (RHD)
P = Sahara

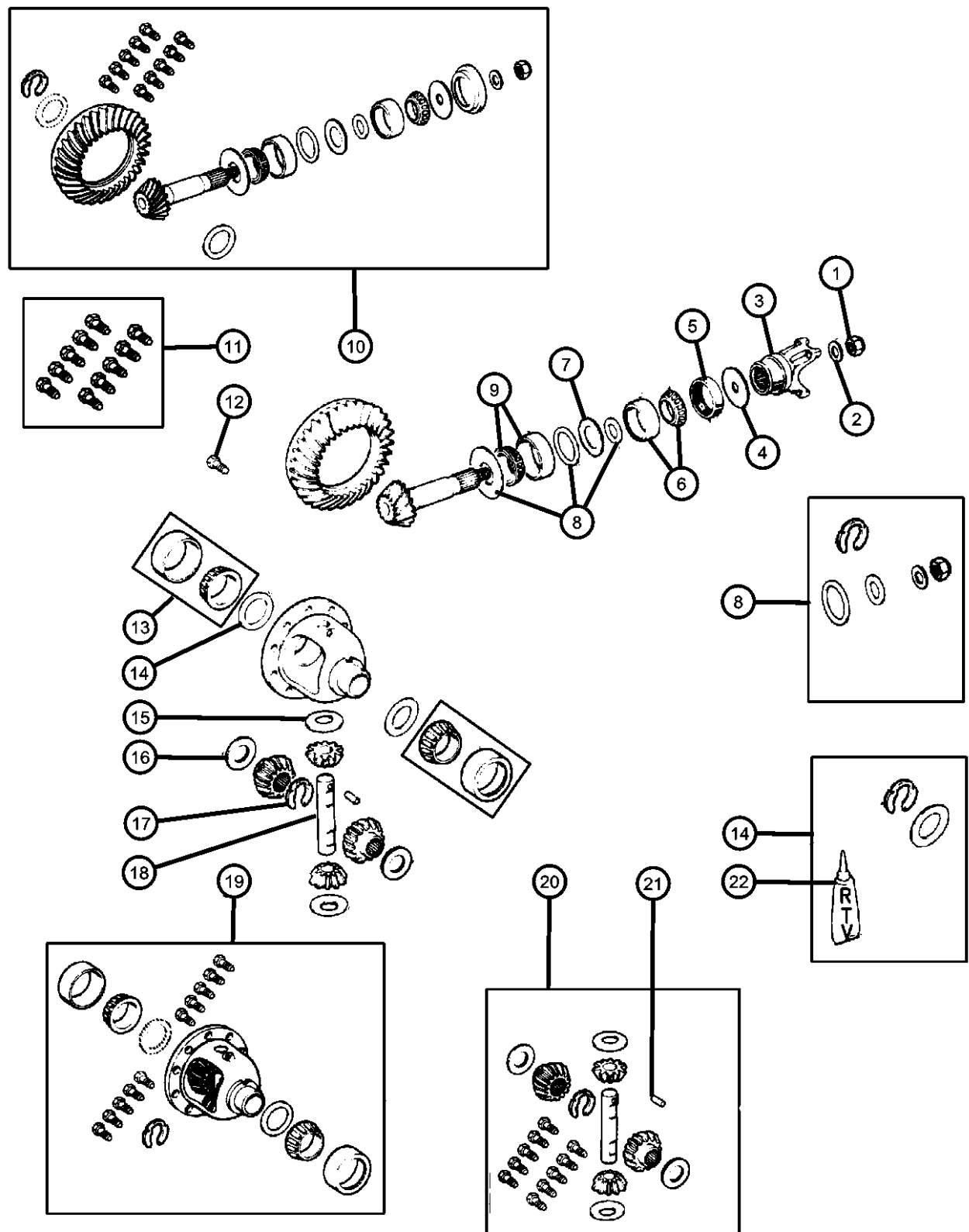
BODY
77 = 93.4 WB

ENGINE
EPE = ENGINE - 2.5L POWER
TECH I-4 Cyl.
ERH = ENGINE - 4.0L
POWER TECH I-6

TRANSMISSION
DDD = TRANSMISSION - 5-SPEED
HD MANUAL
DDQ = TRANSMISSION - 5-SPEED
MANUAL
DGD = TRANSMISSION - 3-SPD.
AUTOMATIC,30RH
DGG = TRANSMISSION - 3-SPD.
AUTOMATIC,32RH
DGO = All Automatic Transmissions
DBB = All Manual Transmissions
DDO = All 5 Speed Manual
Transmissions

AR = use ase required - = Non illustrated part

Differential, Front Axle
Figure 2-610



ITEM	PART NUMBER	QTY	LINE	SERIES	BODY	ENGINE	TRANS	TRIM	DESCRIPTION
	04864853	1	U						[DMM]
		1	J						[DMM]
	04864913	1	J						[DMF]
11									BOLT KIT
	04720891	1	J						Consists of 10-5252503 Screws
		1	U						Consists of 10-5252503 Screws
12									SCREW, Drive Gear
	05252503	10	U						
		10	J						
13									BEARING, Differential
	J8126500	1	U						Consists of 2 Bearings and 2 Cups
		1	J						Consists of 2 Bearings and 2 Cups
14									SHIM KIT, Differential
	04720863	1	U						
		1	J						
15									WASHER, Flat
	J8120831	2	U						Pinion Gear Thrust
		2	J						Pinion Gear Thrust
16									WASHER, Flat
	J8133724	2	U						Side Gear Thrust
		2	J						Side Gear Thrust
17									SNAP RING, Front Axle Shaft
	04137739	2	U						
		2	J						
18									SHAFT, Differential
	05003840AA	1	J						Pinion
		1	U						Pinion
19									CASE, Differential
	05252582	1	U						[DMM] Includes Items 13,17,20

WRANGLER (TJ)

SERIES LINE
H = Sport J = Wrangler 4WD
L = SE U = Wrangler 4WD (RHD)
P = Sahara

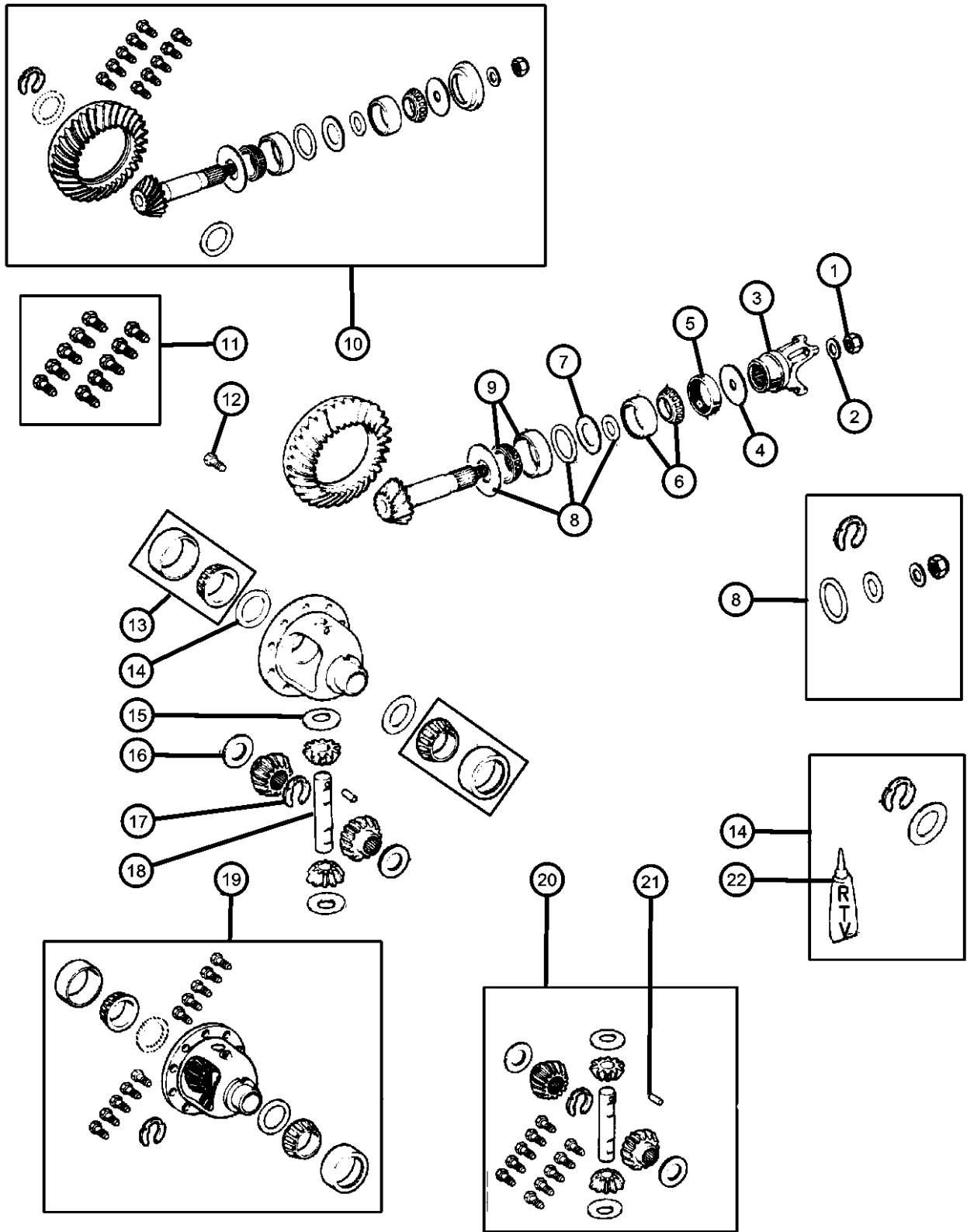
BODY
77 = 93.4 WB

ENGINE
EPE = ENGINE - 2.5L POWER
TECH I-4 Cyl.
ERH = ENGINE - 4.0L
POWER TECH I-6

TRANSMISSION
DDD = TRANSMISSION - 5-SPEED
HD MANUAL
DDQ = TRANSMISSION - 5-SPEED
MANUAL
DGD = TRANSMISSION - 3-SPD.
AUTOMATIC,30RH
DGG = TRANSMISSION - 3-SPD.
AUTOMATIC,32RH
DG0 = All Automatic Transmissions
DBB = All Manual Transmissions
DD0 = All 5 Speed Manual
Transmissions

AR = use ase required - = Non illustrated part

Differential, Front Axle
Figure 2-610



ITEM	PART NUMBER	QTY	LINE	SERIES	BODY	ENGINE	TRANS	TRIM	DESCRIPTION
		1	J						[DMM] Includes Items 13,17,20
	05252590	1	U						[DME] Includes Items 13,17,20
		1	J						[DME,DMF] Includes Items 13,17,20
20									GEAR KIT, Center Differential
	05252591	1	J						
		1	U						
21									PIN, Differential Shaft
	01791563	1	J						
		1	U						
22									SEALANT, RTV
	05010884AA	1	J						
		1	U						

WRANGLER (TJ)

SERIES	LINE
H = Sport	J = Wrangler 4WD
L = SE	U = Wrangler 4WD (RHD)
P = Sahara	

BODY
77 = 93.4 WB

ENGINE
EPE = ENGINE - 2.5L POWER
TECH I-4 Cyl.
ERH = ENGINE - 4.0L
POWER TECH I-6

TRANSMISSION
DDD = TRANSMISSION - 5-SPEED
HD MANUAL
DDQ = TRANSMISSION - 5-SPEED
MANUAL
DGD = TRANSMISSION - 3-SPD.
AUTOMATIC,30RH
DGG = TRANSMISSION - 3-SPD.
AUTOMATIC,32RH
DG0 = All Automatic Transmissions
DBB = All Manual Transmissions
DD0 = All 5 Speed Manual
Transmissions

AR = use ase required - = Non illustrated part

Group - 3

Rear Axle

Group - 3 Rear Axle

Group-Fig. No.

Illustration Title

Rear Axle

Axle Assembly, Rear Fig. 3 - 110

Differential and Housing

Housing,Rear Axle,Dana 35/194MM [DRJ] Fig. 3 - 210

Housing,Rear Axle,Dana 44/226MM [DRK] Fig. 3 - 220

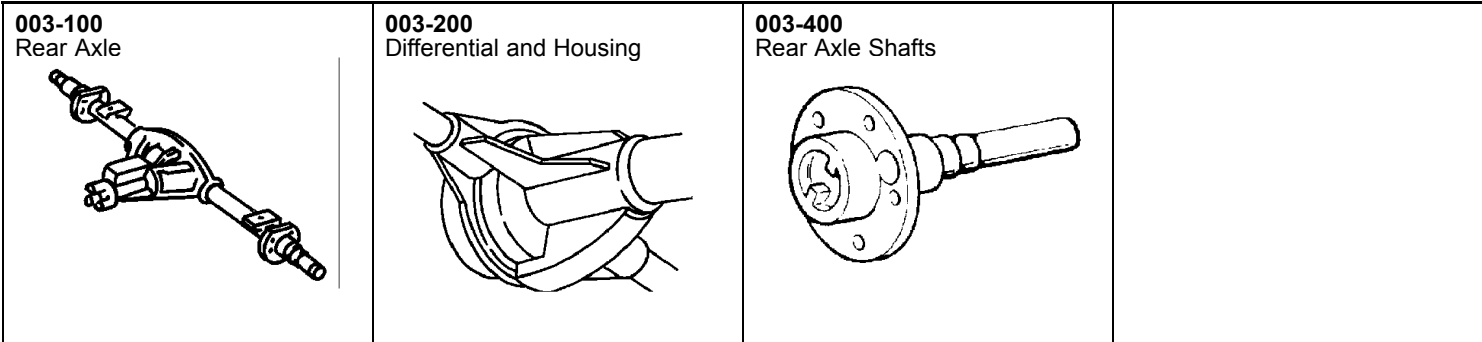
Differential,With and Without Trac-Lok [DSA] Dana 35/194MM [DRJ] Fig. 3 - 230

Differential,With and Without Trac-Lok [DSA] Dana 44/226MM [DRK] Fig. 3 - 240

Rear Axle Shafts

Shaft,Rear,Axle,Dana 35/194MM [DRJ] Fig. 3 - 410

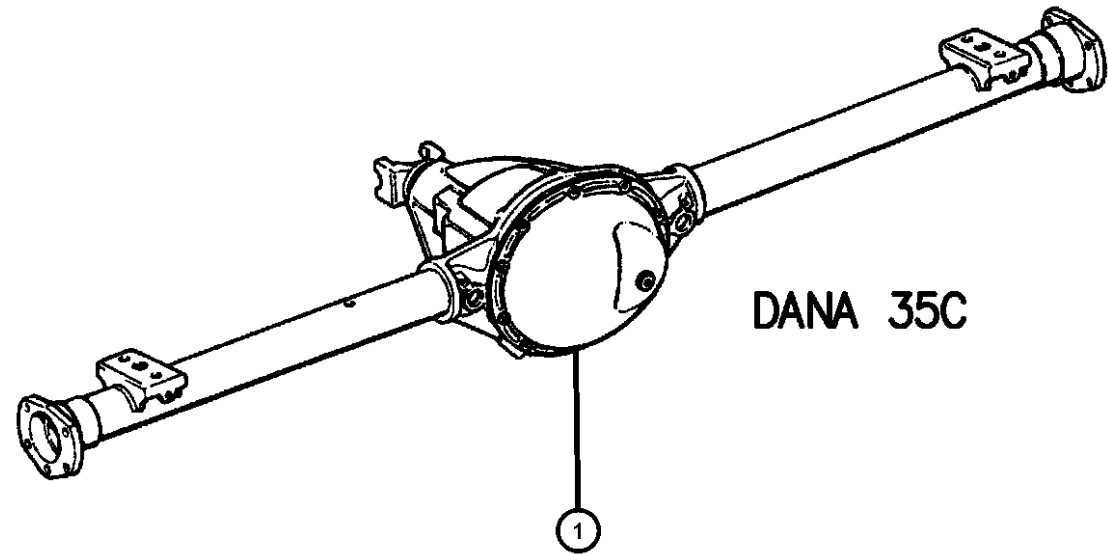
Shaft,Rear Axle,Dana 44/226MM [DRK] Fig. 3 - 420



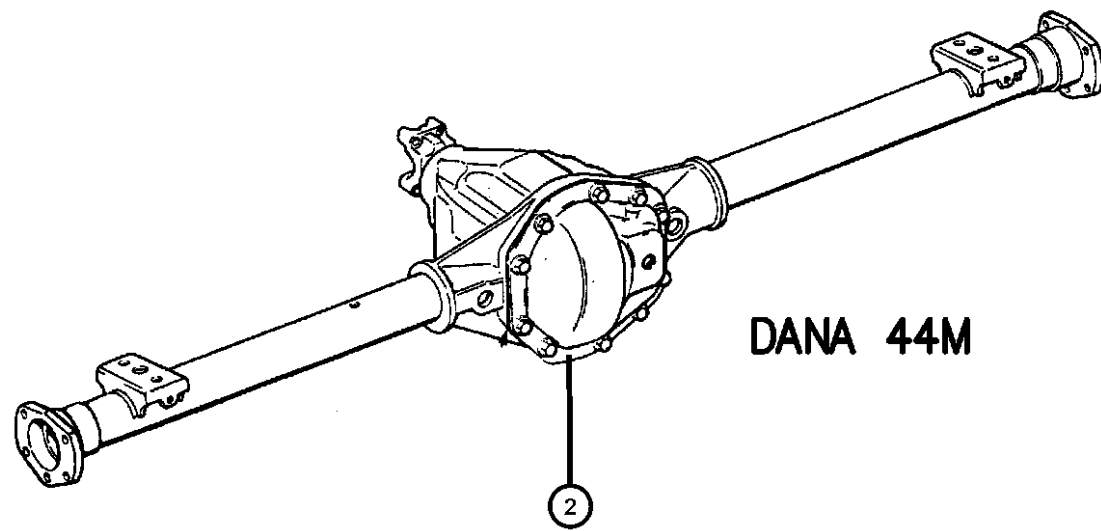
Axle Assembly, Rear
Figure 3-110

ITEM	PART NUMBER	QTY	LINE	SERIES	BODY	ENGINE	TRANS	TRIM	DESCRIPTION
------	-------------	-----	------	--------	------	--------	-------	------	-------------

Note:Sales Codes;
 [DME]=Axle Ratio - 3.73
 [DMF]=Axle Ratio - 4.11
 [DMM]=Axle Ratio - 3.07
 [DRJ]=Axle - Rear,Dana M35/194MM
 [DRK]=Axle - Rear,Dana 44/226MM
 [DSA]=Axle - Trac-Lok Differential



DANA 35C



DANA 44M

1	04897235AA	1	J						AXLE, Service Rear
		1	J						[DRJ,DME,DSA] Tag 52111030AB
	04897237AA	1	J						[DRJ,DME,DSA] Tag 52111929AB
	04897240AA	1	J						[DRJ,DMM,DSA] Tag 52111764AB
	04897242AA	1	J						[DRJ,DMF,BGA] Tag 52111762AD
	04897249AA	1	J						[DRJ,DME] Tag 52111763AB
		1	J						[DRJ,DMM] Tag 52111758AB
	04897261AA	1	J						[DRJ,DMF,DSA] Tag 52111766AB
2	04897290AA	1	U						AXLE, Service Rear
		1	U						[DRK,DMM,DSA] Tag 52111750AB
	04897291AA	1	U						[DRK,DME,DSA] Tag 52111751AB
	05003375AA	1	J						[DRK,DME,DSA] Tag 52111032AA
	05019157AA	1	J						[DRK,DME] Tag 52104454AA

WRANGLER (TJ)

SERIES	LINE
H = Sport	J = Wrangler 4WD
L = SE	U = Wrangler 4WD (RHD)
P = Sahara	

BODY
77 = 93.4 WB

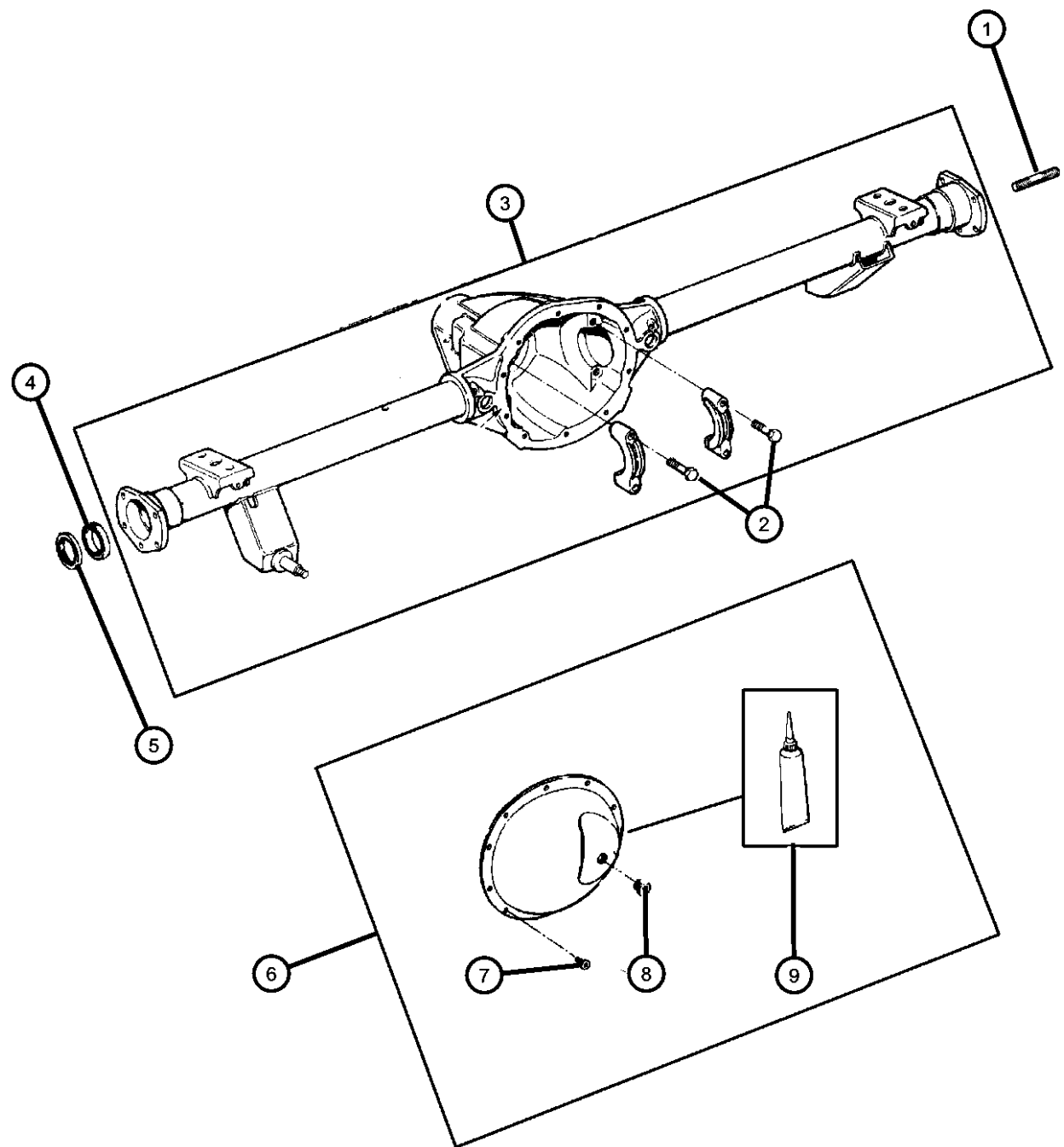
ENGINE
 EPE = ENGINE - 2.5L POWER TECH I-4 Cyl.
 ERH = ENGINE - 4.0L POWER TECH I-6

TRANSMISSION
 DDD = TRANSMISSION - 5-SPEED HD MANUAL
 DDQ = TRANSMISSION - 5-SPEED MANUAL
 DGD = TRANSMISSION - 3-SPD. AUTOMATIC,30RH
 DGG = TRANSMISSION - 3-SPD. AUTOMATIC,32RH
 DG0 = All Automatic Transmissions
 DBB = All Manual Transmissions
 DD0 = All 5 Speed Manual Transmissions

AR = use ase required - = Non illustrated part

2000 TJ

Housing,Rear Axle,Dana 35/194MM [DRJ]
Figure 3-210

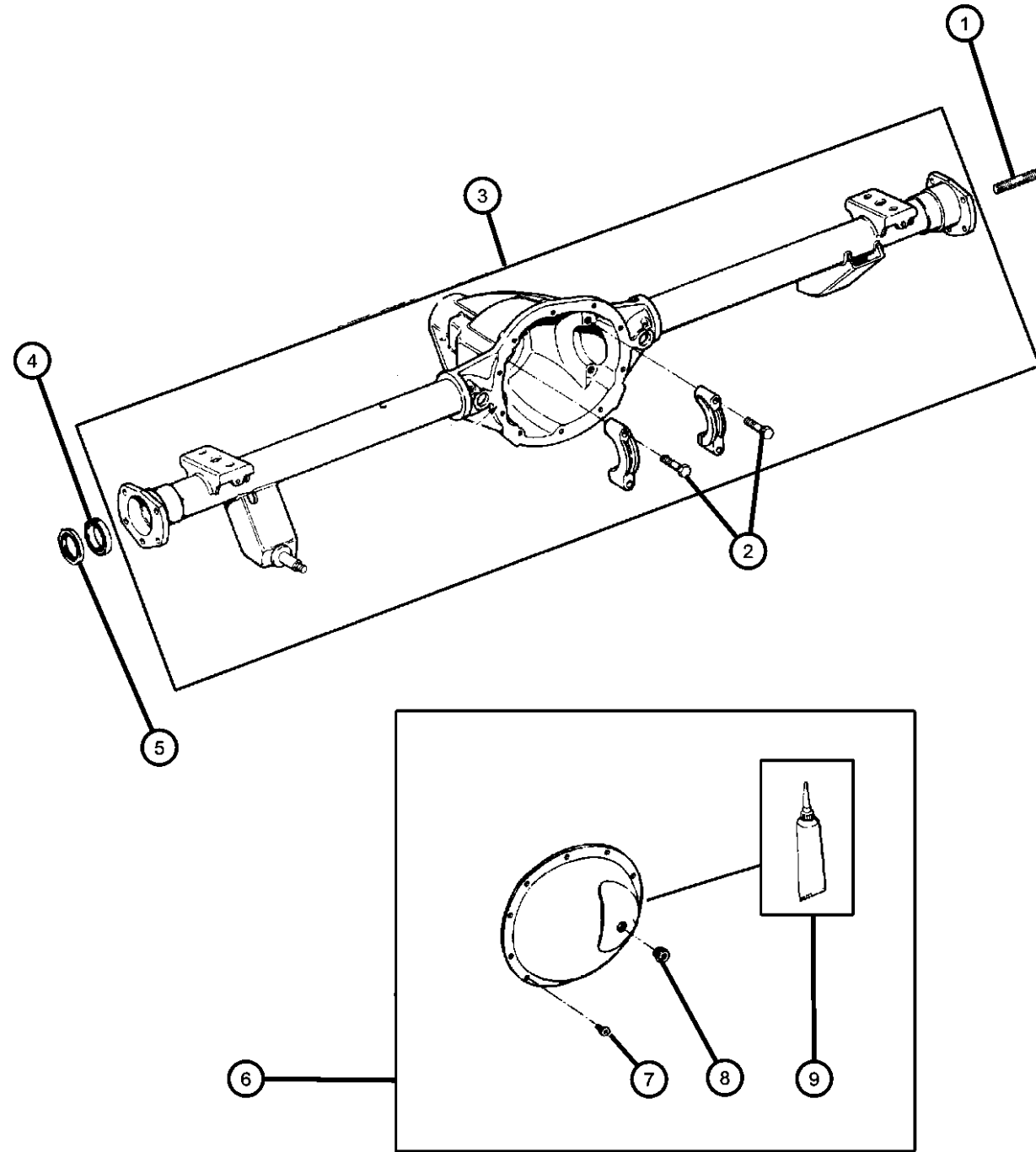


ITEM	PART NUMBER	QTY	LINE	SERIES	BODY	ENGINE	TRANS	TRIM	DESCRIPTION
Note:Sales Codes; [DRJ]=Axle - Rear,Dana M35/194MM									
1	04897234AA	8	J						BOLT, Backing Plate to Axle Housing
2	J4006553	4	J						BOLT, Differential, Carrier Cap Retaining
3	04897233AA	1	J						HOUSING, Axle, Includes Items 1,2,4
4	J8134586	2	J						BEARING, Axle Shaft
5	04856336	2	J						SEAL, Axle Drive Shaft
6	05252493	1	J						COVER, Differential
7	J4006708	10	J						SCREW, Pan Head, .312-18x.56, Differential Cover, Mounting
8	05252504	1	J						PLUG, Differential Cover
9	05010884AA	1							SEALANT, RTV

WRANGLER (TJ)				
SERIES	LINE	BODY	ENGINE	TRANSMISSION
H = Sport	J = Wrangler 4WD	77 = 93.4 WB	EPE = ENGINE - 2.5L POWER TECH I-4 Cyl.	DDD = TRANSMISSION - 5-SPEED HD MANUAL
L = SE	U = Wrangler 4WD (RHD)		ERH = ENGINE - 4.0L POWER TECH I-6	DDQ = TRANSMISSION - 5-SPEED MANUAL
P = Sahara				DGD = TRANSMISSION - 3-SPD. AUTOMATIC,30RH
				DGG = TRANSMISSION - 3-SPD. AUTOMATIC,32RH
				DG0 = All Automatic Transmissions
				DBB = All Manual Transmissions
				DD0 = All 5 Speed Manual Transmissions

AR = use ase required - = Non illustrated part

Housing,Rear Axle,Dana 44/226MM [DRK]
Figure 3-220



ITEM	PART NUMBER	QTY	LINE	SERIES	BODY	ENGINE	TRANS	TRIM	DESCRIPTION
Note:Sales Codes; [DRK]=Axle - Rear,Dana 44/226MM									
1	J0994313	8	J						STUD Axle Housing to Backing Plate, Mounting
		8	U						Axle Housing to Backing Plate, Mounting
2	05003648AA	4	U						BOLT, Differential Carrier Cap Retaining
	J4006553	4	J						Carrier Cap Retaining
3	04882348	1	U						HOUSING, Axle with Items 1,2
	04882840	1	J						with Items 1,2
4	83503064	2	U						BEARING, Axle
		2	J						
5	83503063	2	U						SEAL, Axle Drive Shaft
		2	J						
6	83505549	1	J						COVER, Differential
		1	U						
7	J4006708	10	J						SCREW, Pan Head, .312-18x.56 Differential Cover, Mounting
		10	U						Differential Cover, Mounting
8	05252504	1	J						PLUG, Differential Cover
		1	U						
9	05010884AA	1							SEALANT, RTV

WRANGLER (TJ)

SERIES LINE
H = Sport J = Wrangler 4WD
L = SE U = Wrangler 4WD (RHD)
P = Sahara

BODY
77 = 93.4 WB

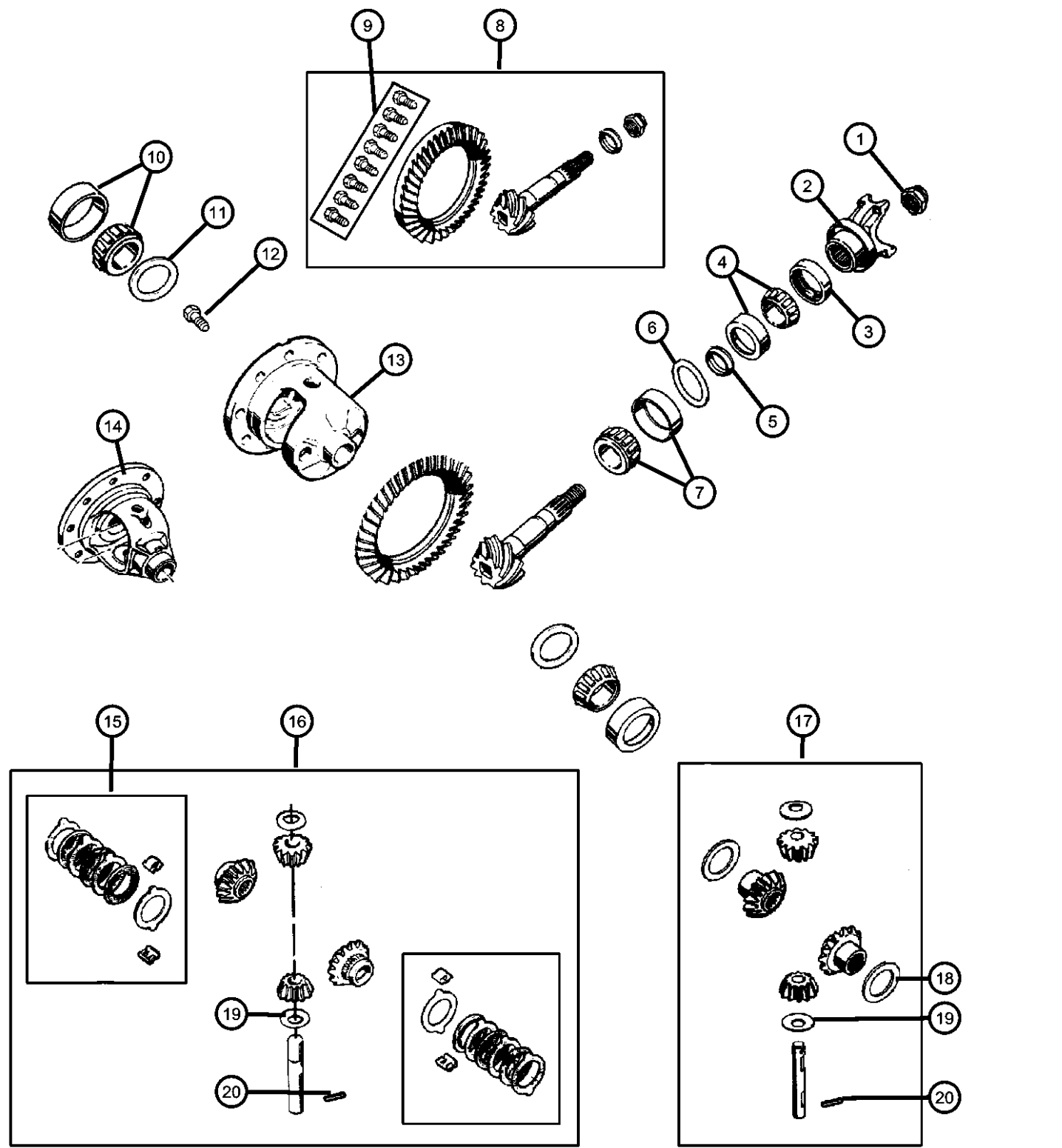
ENGINE
EPE = ENGINE - 2.5L POWER
TECH I-4 Cyl.
ERH = ENGINE - 4.0L
POWER TECH I-6

TRANSMISSION
DDD = TRANSMISSION - 5-SPEED
HD MANUAL
DDQ = TRANSMISSION - 5-SPEED
MANUAL
DGD = TRANSMISSION - 3-SPD.
AUTOMATIC,30RH
DGG = TRANSMISSION - 3-SPD.
AUTOMATIC,32RH
DGO = All Automatic Transmissions
DBB = All Manual Transmissions
DDO = All 5 Speed Manual
Transmissions

AR = use ase required - = Non illustrated part

2000 TJ

Differential, With and Without Trac-Lok [DSA] Dana 35/194MM [DRJ]
Figure 3-230



ITEM	PART NUMBER	QTY	LINE	SERIES	BODY	ENGINE	TRANS	TRIM	DESCRIPTION
------	-------------	-----	------	--------	------	--------	-------	------	-------------

Note: Sales Codes;
 [DME]=Axle Ratio - 3.73
 [DMF]=Axle Ratio - 4.11
 [DMM]=Axle Ratio - 3.07
 [DRJ]=Axle - Rear, Dana 35/194MM
 [DSA]=Axle - Anti-Spin Differential

1	04720895	1	J						NUT, Pinion Yoke
2	04897025AA	1	J						YOKE, Axle
3	83504946	1	J						SEAL, Drive Pinion
4	05252508	1	J						BEARING, Drive Pinion, Bearing and Cup, Front
5	J3175779	1	J						SPACER, Drive Pinion Bearing, Crush
6	04720922	1	J						SHIM KIT, Pinion Shaft
7	05252507	1	J						BEARING, Drive Pinion, Bearing and Cup, Rear
8									GEAR KIT, Ring And Pinion
	04761678	1	J						[DME]
	83504938	1	J						[DMF]
	83505472	1	J						[DMM]
9	04720891	1	J						BOLT KIT
10	J8126500	1	J						BEARING, Differential, Consists of 2 Bearings and 2 Cups
11	83503004	1	J						SHIM KIT, Differential
12	05252503	10	J						SCREW, Drive Gear, Ring Gear, Mounting
13									CASE, Differential
	05252496	1	J						[DME,DMF] with [DSA] with Internal Parts
	05252512	1	J						[DMM] with [DSA] with Internal Parts
14									CASE, Differential
	04740833	1	J						[DMM] without [DSA] with Internal Parts
	04740834	1	J						[DME,DMF] without [DSA] with Internal Parts

WRANGLER (TJ)

SERIES LINE
 H = Sport J = Wrangler 4WD
 L = SE U = Wrangler 4WD (RHD)
 P = Sahara

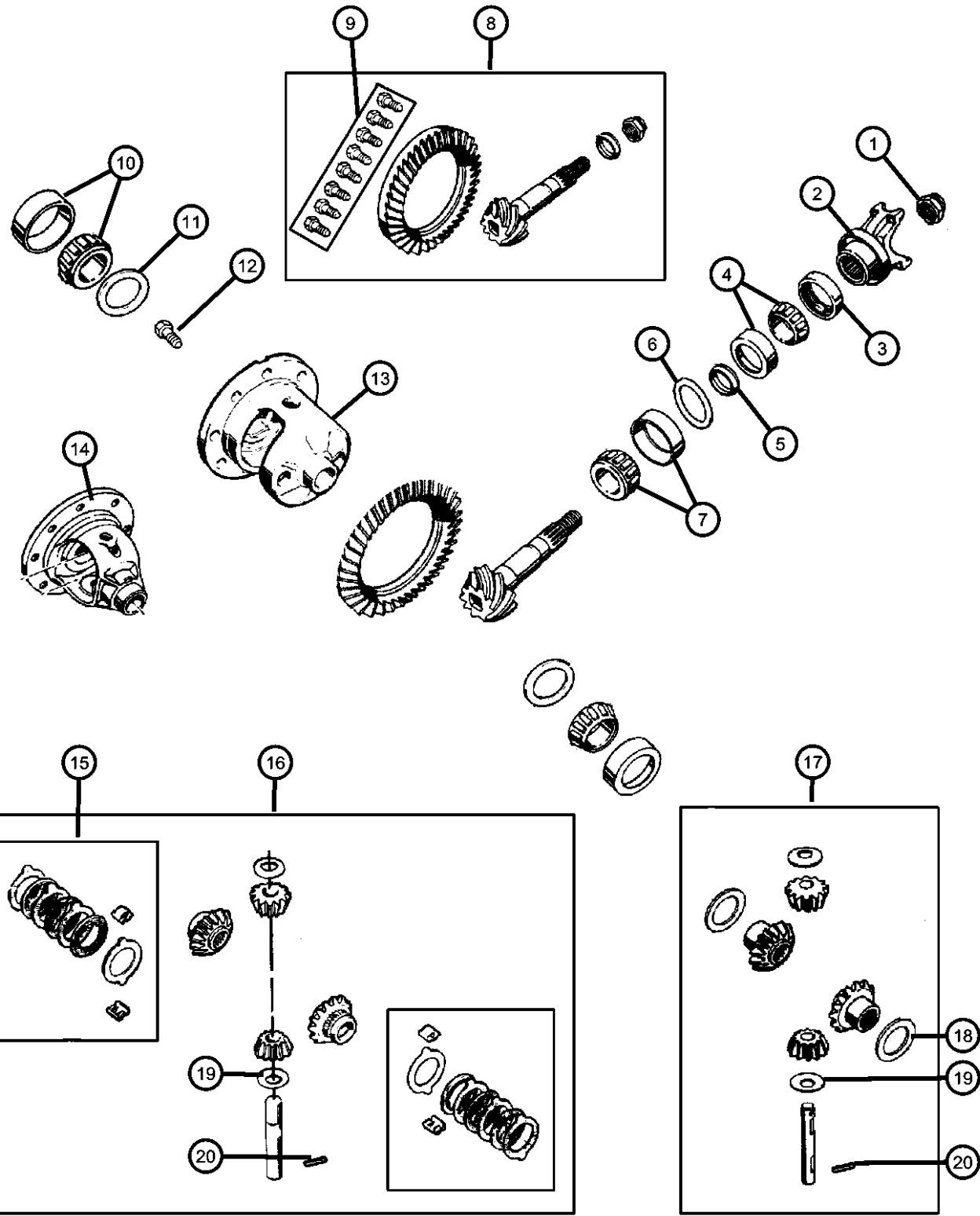
BODY
 77 = 93.4 WB

ENGINE
 EPE = ENGINE - 2.5L POWER TECH I-4 Cyl.
 ERH = ENGINE - 4.0L POWER TECH I-6

TRANSMISSION
 DDD = TRANSMISSION - 5-SPEED HD MANUAL
 DDQ = TRANSMISSION - 5-SPEED MANUAL
 DGD = TRANSMISSION - 3-SPD. AUTOMATIC, 30RH
 DGG = TRANSMISSION - 3-SPD. AUTOMATIC, 32RH
 DG0 = All Automatic Transmissions
 DBB = All Manual Transmissions
 DD0 = All 5 Speed Manual Transmissions

AR = use ase required - = Non illustrated part

Differential, With and Without Trac-Lok [DSA] Dana 35/194MM [DRJ]
Figure 3-230



ITEM	PART NUMBER	QTY	LINE	SERIES	BODY	ENGINE	TRANS	TRIM	DESCRIPTION
------	-------------	-----	------	--------	------	--------	-------	------	-------------

15	05252506	1	J						DISC AND PLATE KIT, Differential, with [DSA]
16	04773010	1	J						GEAR KIT, Center Differential, with [DSA]
17	04740670	1	J						GEAR KIT, Center Differential, without [DSA]
18	J8120832	2	J						WASHER, Differential Side Gear, without [DSA]
19	J8120831	2	J						WASHER, Flat, with or without [DSA] Pinion Thrust
20	05252502	1	J						PIN, Differential Shaft, with or without [DSA]

WRANGLER (TJ)

SERIES	LINE
H = Sport	J = Wrangler 4WD
L = SE	U = Wrangler 4WD (RHD)
P = Sahara	

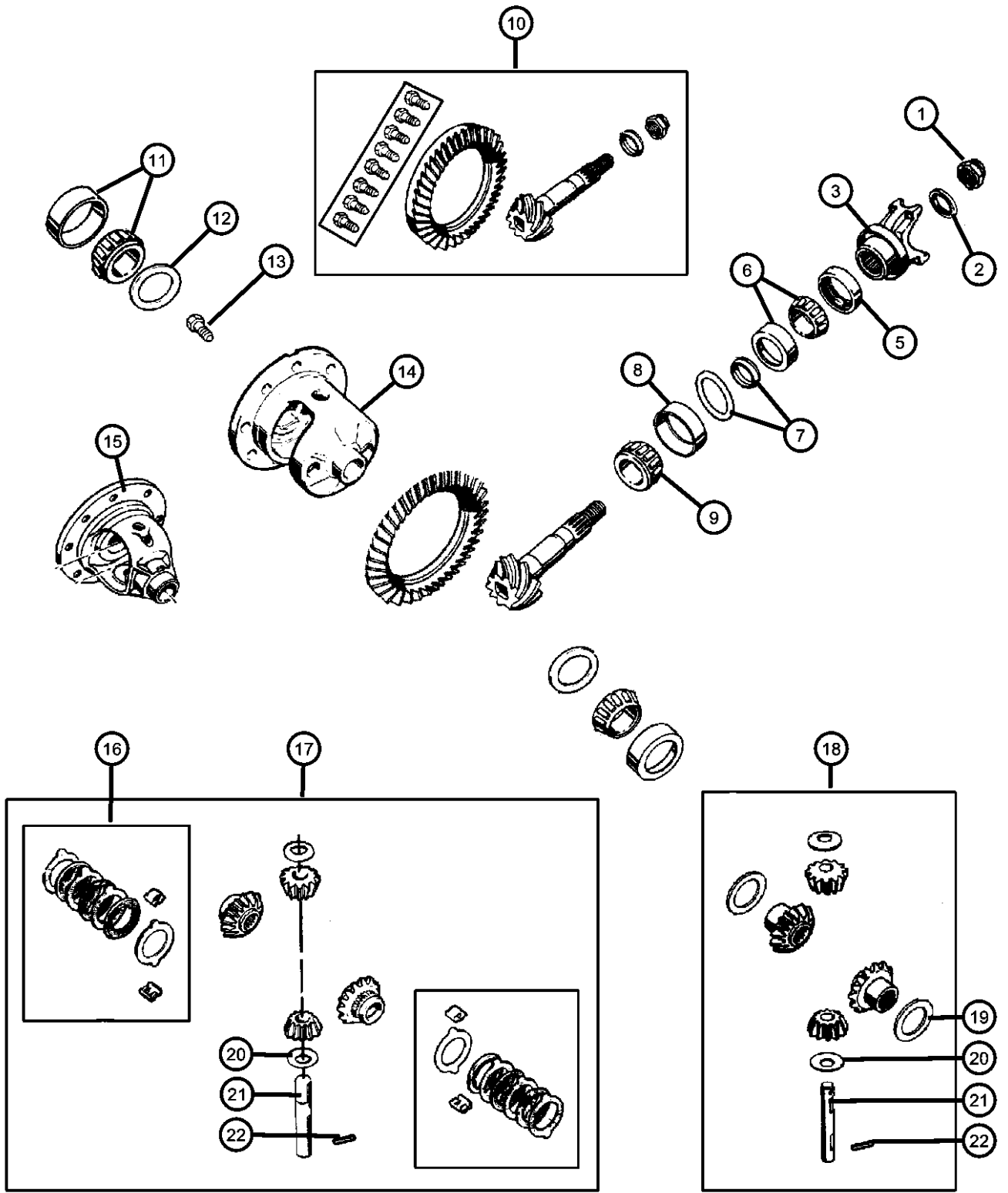
BODY
77 = 93.4 WB

ENGINE
EPE = ENGINE - 2.5L POWER TECH I-4 Cyl.
ERH = ENGINE - 4.0L POWER TECH I-6

TRANSMISSION
DDD = TRANSMISSION - 5-SPEED HD MANUAL
DDQ = TRANSMISSION - 5-SPEED MANUAL
DGD = TRANSMISSION - 3-SPD. AUTOMATIC, 30RH
DGG = TRANSMISSION - 3-SPD. AUTOMATIC, 32RH
DG0 = All Automatic Transmissions
DBB = All Manual Transmissions
DD0 = All 5 Speed Manual Transmissions

AR = use ase required - = Non illustrated part

Differential, With and Without Trac-Lok [DSA] Dana 44/226MM [DRK]
Figure 3-240



ITEM	PART NUMBER	QTY	LINE	SERIES	BODY	ENGINE	TRANS	TRIM	DESCRIPTION
------	-------------	-----	------	--------	------	--------	-------	------	-------------

Note: Sales Codes;
 [DME]=Axle Ratio - 3.73
 [DMM]=Axle Ratio - 3.07
 [DRK]=Axle - Rear, Dana 44/226MM
 [DSA]=Axle - Anti-Spin Differential

1									NUT, Pinion Yoke
	01791575	1	U						
		1	J						
2									WASHER, Pinion Yoke
	01791576	1	U						
		1	J						
3									YOKE, Axle
	04897026AA	1	U						
		1	J						
-4									SLINGER, Drive Pinion
	04031974	1	U						
		1	J						
5									SEAL, Drive Pinion
	04746772	1	U						
	05019154AA	1	J						
6									BEARING, Drive Pinion
	J8124052	1	U						Bearing and Cup, Front
		1	J						Bearing and Cup, Front
7									SHIM KIT, Pinion Shaft
	J8129221	1	U						
		1	J						
8									CUP, Bearing Inner
	00698413	1	U						Rear
		1	J						Rear
9									BEARING, Drive Pinion
	J0807266	1	U						Rear

WRANGLER (TJ)

SERIES LINE BODY
 H = Sport J = Wrangler 4WD 77 = 93.4 WB
 L = SE U = Wrangler 4WD (RHD)
 P = Sahara

ENGINE TRANSMISSION
 EPE = ENGINE - 2.5L POWER TECH I-4 Cyl. DDD = TRANSMISSION - 5-SPEED HD MANUAL
 ERH = ENGINE - 4.0L POWER TECH I-6 DDQ = TRANSMISSION - 5-SPEED MANUAL
 DGD = TRANSMISSION - 3-SPD. AUTOMATIC, 30RH
 DGG = TRANSMISSION - 3-SPD. AUTOMATIC, 32RH
 DG0 = All Automatic Transmissions
 DBB = All Manual Transmissions
 DD0 = All 5 Speed Manual Transmissions

AR = use ase required - = Non illustrated part

Differential, With and Without Trac-Lok [DSA] Dana 44/226MM [DRK]
Figure 3-240

ITEM	PART NUMBER	QTY	LINE	SERIES	BODY	ENGINE	TRANS	TRIM	DESCRIPTION
10		1	J						Rear
	04882352	1	U						GEAR KIT, Ring And Pinion
		1	J						[DME]
	83504197	1	U						[DME]
11		1	J						[DMM]
	04746733	1	U						BEARING, Differential Case
		1	U						Consists of 2 Bearings and 2 Cups
		1	J						Consists of 2 Bearings and 2 Cups
12		1	U						SHIM KIT, Differential
	J8129222	1	U						
		1	J						
13		10	J						SCREW, Drive Gear
	05252503	10	J						Ring Gear, Mounting
		10	U						Ring Gear, Mounting
14		1	J						CASE, Differential
	83505431	1	J						with [DSA] with Internal Parts
		1	U						with [DSA] with Internal Parts
15	04778672	1	J						CASE, Differential, without [DSA]
		1	U						with Internal Parts
16		1	J						DISC AND PLATE KIT, Differential
	J0994345	1	J						with [DSA]
		1	U						with [DSA]
17		1	J						GEAR KIT, Center Differential
	83505432	1	J						with [DSA]
		1	U						with [DSA]
18	04778595	1	J						GEAR KIT, Center Differential, without [DSA]
19	04137755	2	J						WASHER, Differential Side Gear, without [DSA]
20									WASHER, Pinion Thrust

WRANGLER (TJ)

SERIES LINE
H = Sport J = Wrangler 4WD
L = SE U = Wrangler 4WD (RHD)
P = Sahara

BODY
77 = 93.4 WB

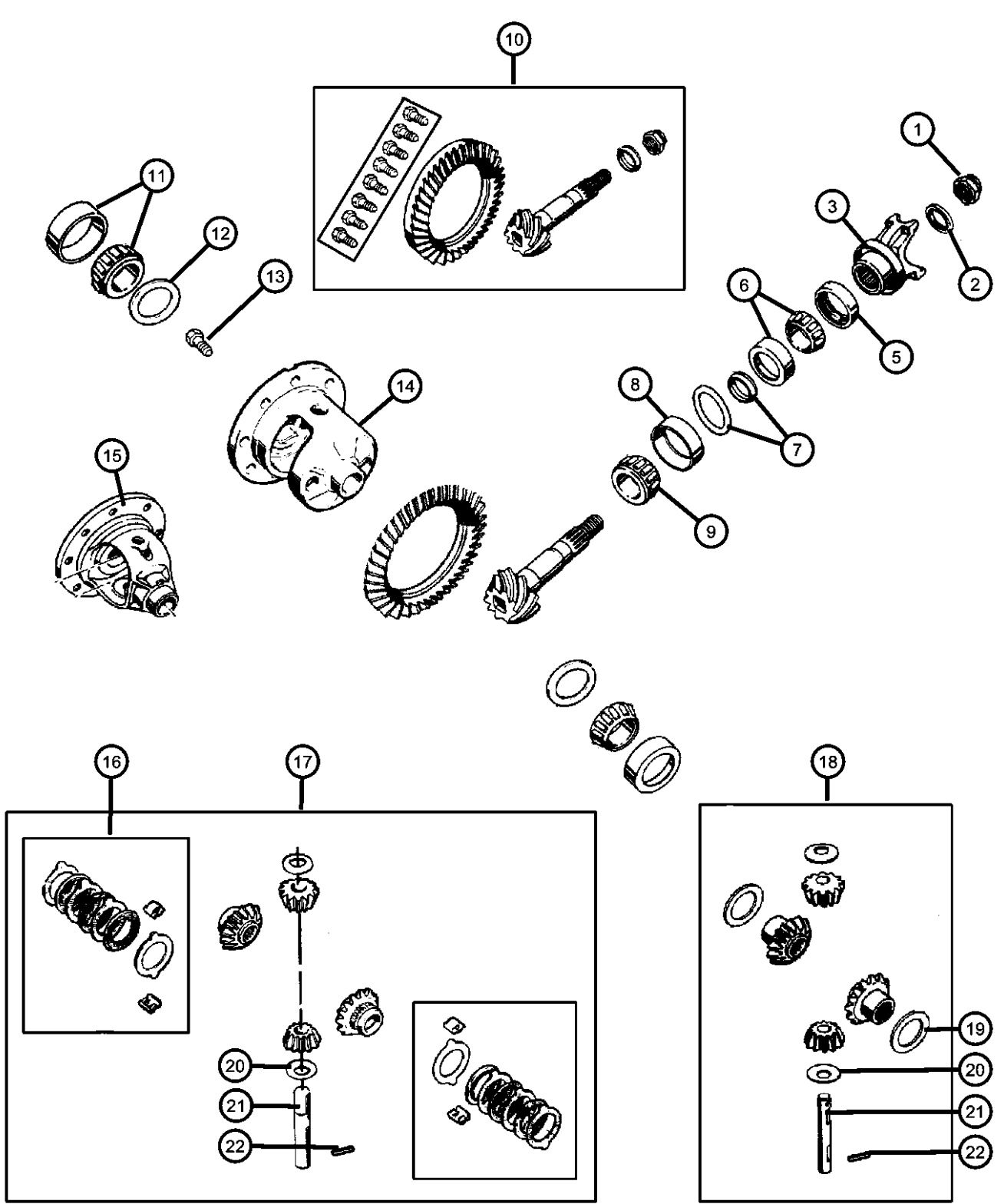
ENGINE
EPE = ENGINE - 2.5L POWER TECH I-4 Cyl.
ERH = ENGINE - 4.0L POWER TECH I-6

TRANSMISSION
DDD = TRANSMISSION - 5-SPEED HD MANUAL
DDQ = TRANSMISSION - 5-SPEED MANUAL
DGD = TRANSMISSION - 3-SPD. AUTOMATIC, 30RH
DGG = TRANSMISSION - 3-SPD. AUTOMATIC, 32RH
DGO = All Automatic Transmissions
DBB = All Manual Transmissions
DDO = All 5 Speed Manual Transmissions

AR = use ase required - = Non illustrated part

2000 TJ

Differential, With and Without Trac-Lok [DSA] Dana 44/226MM [DRK]
Figure 3-240



ITEM	PART NUMBER	QTY	LINE	SERIES	BODY	ENGINE	TRANS	TRIM	DESCRIPTION
	01791561	1	J						with or without [DSA]
		2	U						with or without [DSA]
21	83503069	1	J						SHAFT, Differential
		1	U						with or without [DSA]
22	01791563	1	J						PIN, Differential Shaft
		1	U						with or without [DSA]

WRANGLER (TJ)
 SERIES LINE
 H = Sport J = Wrangler 4WD
 L = SE U = Wrangler 4WD (RHD)
 P = Sahara

BODY
 77 = 93.4 WB

ENGINE
 EPE = ENGINE - 2.5L POWER TECH I-4 Cyl.
 ERH = ENGINE - 4.0L POWER TECH I-6

TRANSMISSION
 DDD = TRANSMISSION - 5-SPEED HD MANUAL
 DDQ = TRANSMISSION - 5-SPEED MANUAL
 DGD = TRANSMISSION - 3-SPD. AUTOMATIC, 30RH
 DGG = TRANSMISSION - 3-SPD. AUTOMATIC, 32RH
 DG0 = All Automatic Transmissions
 DBB = All Manual Transmissions
 DD0 = All 5 Speed Manual Transmissions

AR = use ase required - = Non illustrated part

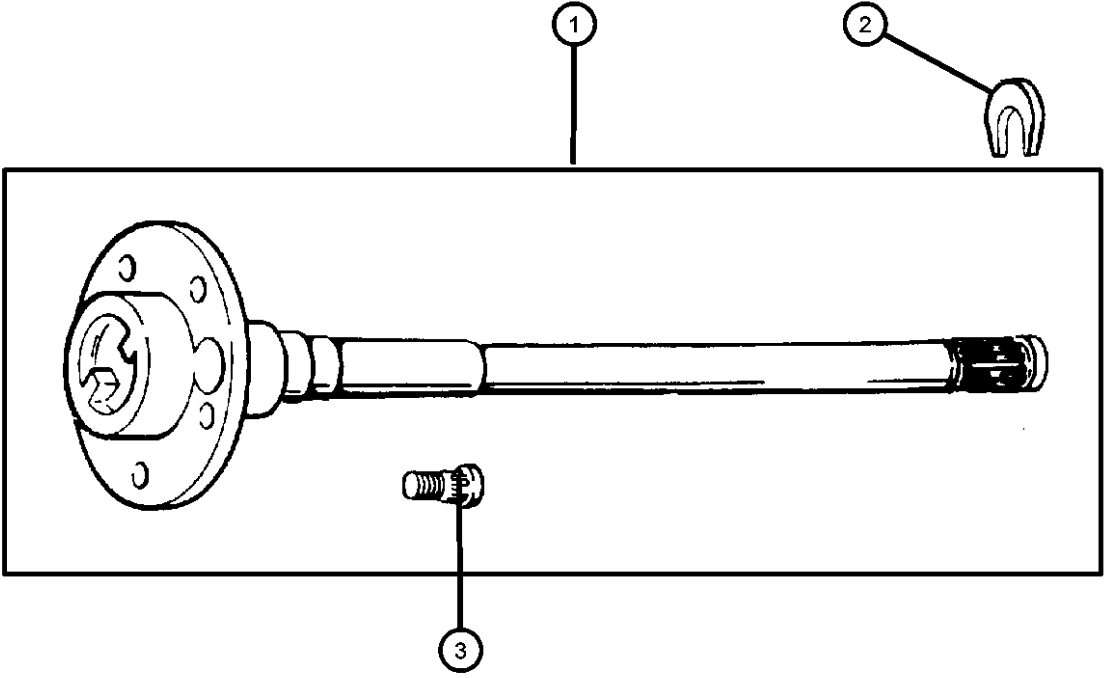
Shaft,Rear,Axle,Dana 35/194MM [DRJ]

Figure 3-410

ITEM	PART NUMBER	QTY	LINE	SERIES	BODY	ENGINE	TRANS	TRIM	DESCRIPTION
------	-------------	-----	------	--------	------	--------	-------	------	-------------

Note:Sales Codes;
[DRJ]=Axle - Rear,Dana 35/194MM

1									SHAFT, Axle
	04713192	1	J						Right
	04713193	1	J						Left
2	05252505	2	J						RETAINER, Axle ShaftRight or Left
3	05011312AA	10	J						STUD, Hub, Wheel



WRANGLER (TJ)

SERIES LINE
H = Sport J = Wrangler 4WD
L = SE U = Wrangler 4WD (RHD)
P = Sahara

BODY
77 = 93.4 WB

ENGINE
EPE = ENGINE - 2.5L POWER
TECH I-4 Cyl.
ERH = ENGINE - 4.0L
POWER TECH I-6

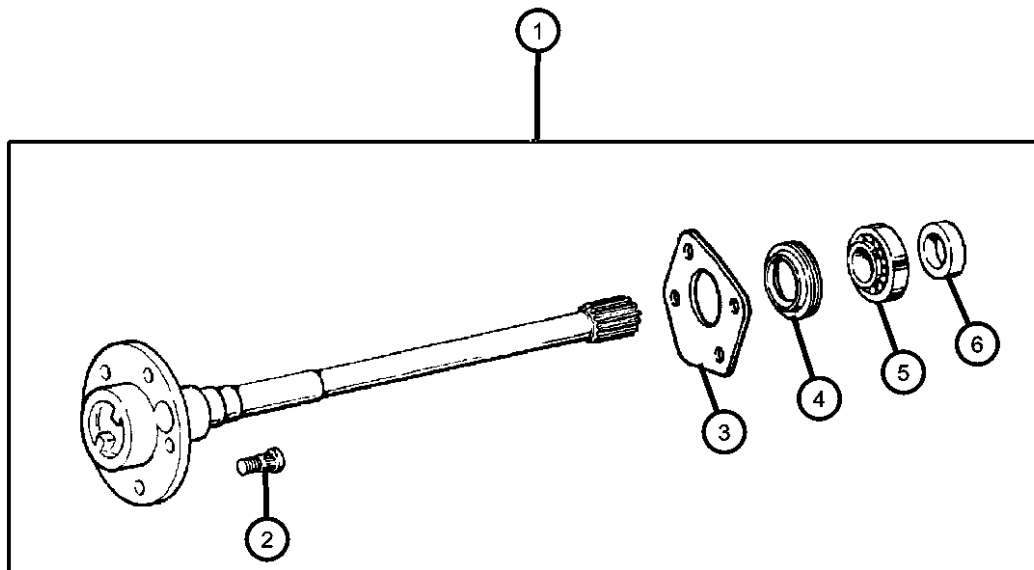
TRANSMISSION
DDD = TRANSMISSION - 5-SPEED
HD MANUAL
DDQ = TRANSMISSION - 5-SPEED
MANUAL
DGD = TRANSMISSION - 3-SPD.
AUTOMATIC,30RH
DGG = TRANSMISSION - 3-SPD.
AUTOMATIC,32RH
DG0 = All Automatic Transmissions
DBB = All Manual Transmissions
DD0 = All 5 Speed Manual
Transmissions

AR = use ase required - = Non illustrated part

**Shaft,Rear Axle,Dana 44/226MM [DRK]
Figure 3-420**

ITEM	PART NUMBER	QTY	LINE	SERIES	BODY	ENGINE	TRANS	TRIM	DESCRIPTION
------	-------------	-----	------	--------	------	--------	-------	------	-------------

Note:Sales Codes;
[DRK]=Axle - Rear,Dana 44/226MM



1									SHAFT, Axle
	04882350	1	J						Right
		1	U						Right
	04882351	1	J						Left
		1	U						Left
2									STUD, Hub
	05011312AA	10	J						Wheel
		10	U						Wheel
3									RETAINER, Axle Shaft Seal
	05010811AA	2	J						
		2	U						
4									SEAL, Axle Drive Shaft
	83503063	2	J						
		2	U						
5									BEARING, Axle
	83503064	2	J						
		2	U						
6									RING, Axle Shaft
	83503077	2	J						
		2	U						

WRANGLER (TJ)

SERIES LINE
H = Sport J = Wrangler 4WD
L = SE U = Wrangler 4WD (RHD)
P = Sahara

BODY
77 = 93.4 WB

ENGINE
EPE = ENGINE - 2.5L POWER
TECH I-4 Cyl.
ERH = ENGINE - 4.0L
POWER TECH I-6

TRANSMISSION
DDD = TRANSMISSION - 5-SPEED
HD MANUAL
DDQ = TRANSMISSION - 5-SPEED
MANUAL
DGD = TRANSMISSION - 3-SPD.
AUTOMATIC,30RH
DGG = TRANSMISSION - 3-SPD.
AUTOMATIC,32RH
DG0 = All Automatic Transmissions
DBB = All Manual Transmissions
DD0 = All 5 Speed Manual
Transmissions

AR = use ase required - = Non illustrated part

2000 TJ

Group - 4

Parking Brake

Group - 4 Parking Brake

Group-Fig. No.

Illustration Title

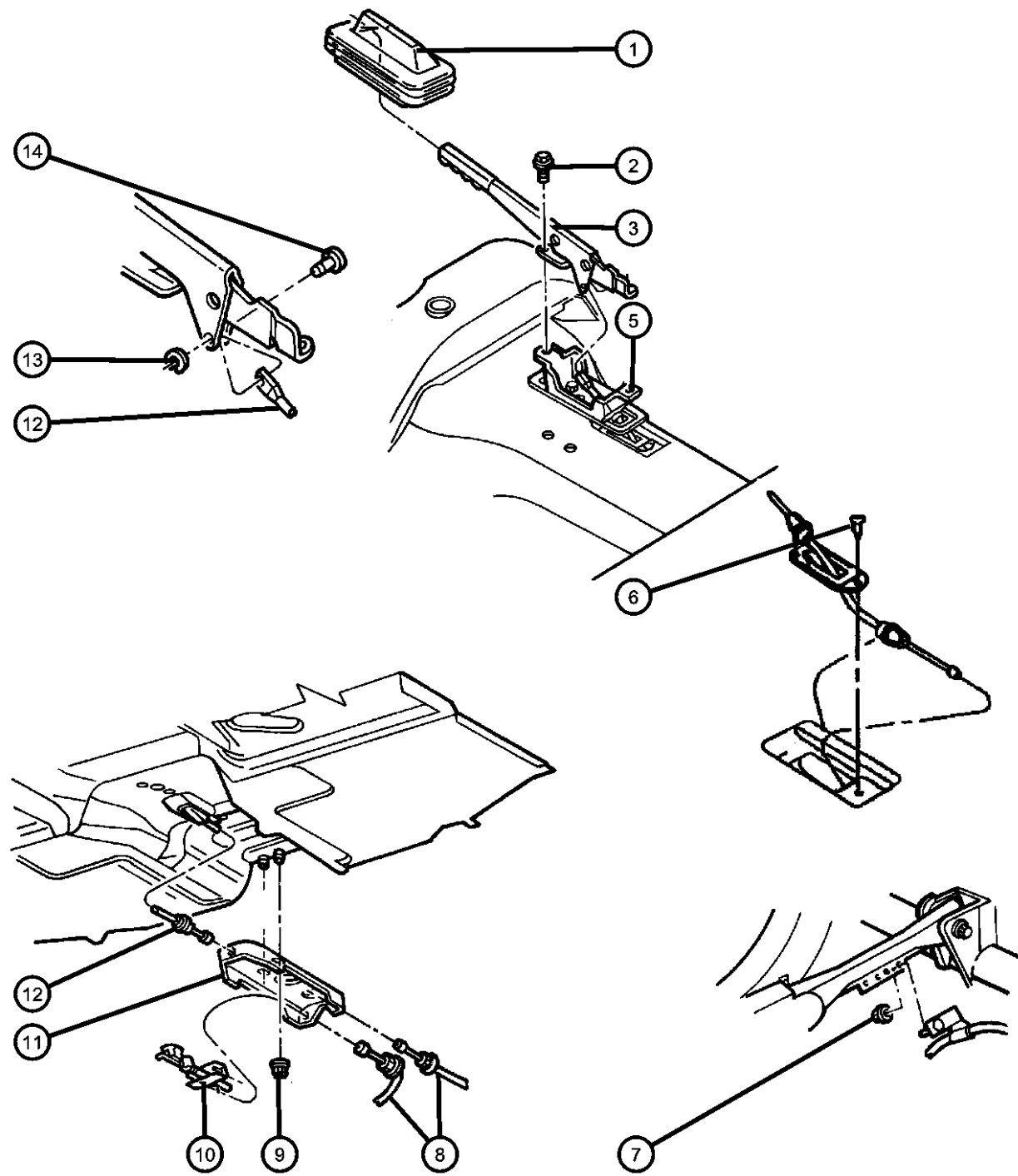
Parking Brake Lever and Cables

Parking Brake Lever and Cables..... Fig. 4 - 110

004-100 Parking Brake Lever and Cables			
--	--	--	--



Parking Brake Lever and Cables
Figure 4-110



ITEM	PART NUMBER	QTY	LINE	SERIES	BODY	ENGINE	TRANS	TRIM	DESCRIPTION
1	52078891AB	1							BOOT, Parking Brake Lever, Without [CUF]
2	34201686	2							BOLT, Hex Flange Head, M12x1.18x35, Park Brake Lever to Bracket, Mounting
3	52128203AB	1							LEVER, Park Brake
4	52127960	1							SWITCH, Parking Brake
5									BRACKET, Parking Lever
	52128191	1							[CUM]
	52128204	1							[CUF]
6	00153644	3							SCREW, .190-16x.500, Parking Brake Cable Seal to Floor Pan, Mounting
7	06101695	1							NUT, Hex Flange Lock, Rear Park Brake Cable to UCA, Mounting
8									CABLE, Parking Brake
	52008362	1	U						Right Rear
		1	J						Right Rear
	52008363	1	U						Left Rear
		1	J						Left Rear
9	06505245AA	2							NUT, M8x1.25, Parking Brake Support Bracket to Floor Pan, Mounting
10	52009527	1							TENSIONER, Parking Brake Cable, Adjusting
11	52127952AC	1							BRACKET, Cable, Cable and Equalizer Support, Mounting
12	52128206AC	1							CABLE, Parking BrakeFront
13	52078012	1							CLIP, Parking Brake Cable, Locking
14	52078010	1							PIN, Parking Brake HandleMounting

WRANGLER (TJ)

SERIES

H = Sport
L = SE
P = Sahara

LINE

J = Wrangler 4WD
U = Wrangler 4WD (RHD)

BODY

77 = 93.4 WB

ENGINE

EPE = ENGINE - 2.5L POWER TECH I-4 Cyl.
ERH = ENGINE - 4.0L POWER TECH I-6

TRANSMISSION

DDD = TRANSMISSION - 5-SPEED HD MANUAL
DDQ = TRANSMISSION - 5-SPEED MANUAL
DGD = TRANSMISSION - 3-SPD. AUTOMATIC,30RH
DGG = TRANSMISSION - 3-SPD. AUTOMATIC,32RH
DG0 = All Automatic Transmissions
DBB = All Manual Transmissions
DD0 = All 5 Speed Manual Transmissions

AR = use ase required - = Non illustrated part

Group - 5

Service Brakes

Group - 5 Service Brakes

Group-Fig. No.

Illustration Title

Front Brakes

Front Brakes Fig. 5 - 110

Rear Brakes

Rear Drum Brakes Fig. 5 - 210

Power Brake Booster

Power Brake Booster Fig. 5 - 310

Brake Master Cylinder

Master Cylinder Fig. 5 - 410

Brake Lines and Hoses

Hydraulic Control Unit Fig. 5 - 510

Brake Lines and Hoses,Front,LHD Without ABS Fig. 5 - 520

Brake Lines and Hoses,Front,RHD,Without ABS Fig. 5 - 530

Brake Lines and Hoses,Rear,LHD,RHD Without ABS Fig. 5 - 540

Brake Lines and Hoses,Front,LHD,With ABS Fig. 5 - 550

Brake Lines and Hoses,Rear,LHD,With ABS Fig. 5 - 560

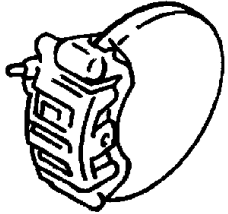
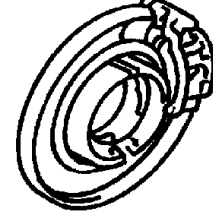
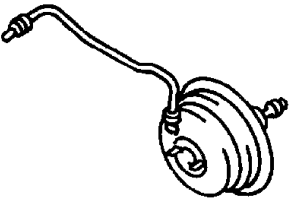
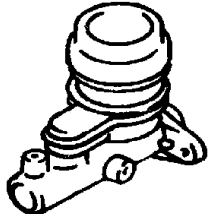
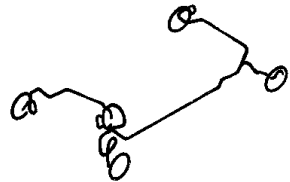

Rear Axle Brake Sensor Wiring Brackets and Fasteners Fig. 5 - 570

Front Axle Brake Sensor Wiring Brackets and Fasteners Fig. 5 - 580

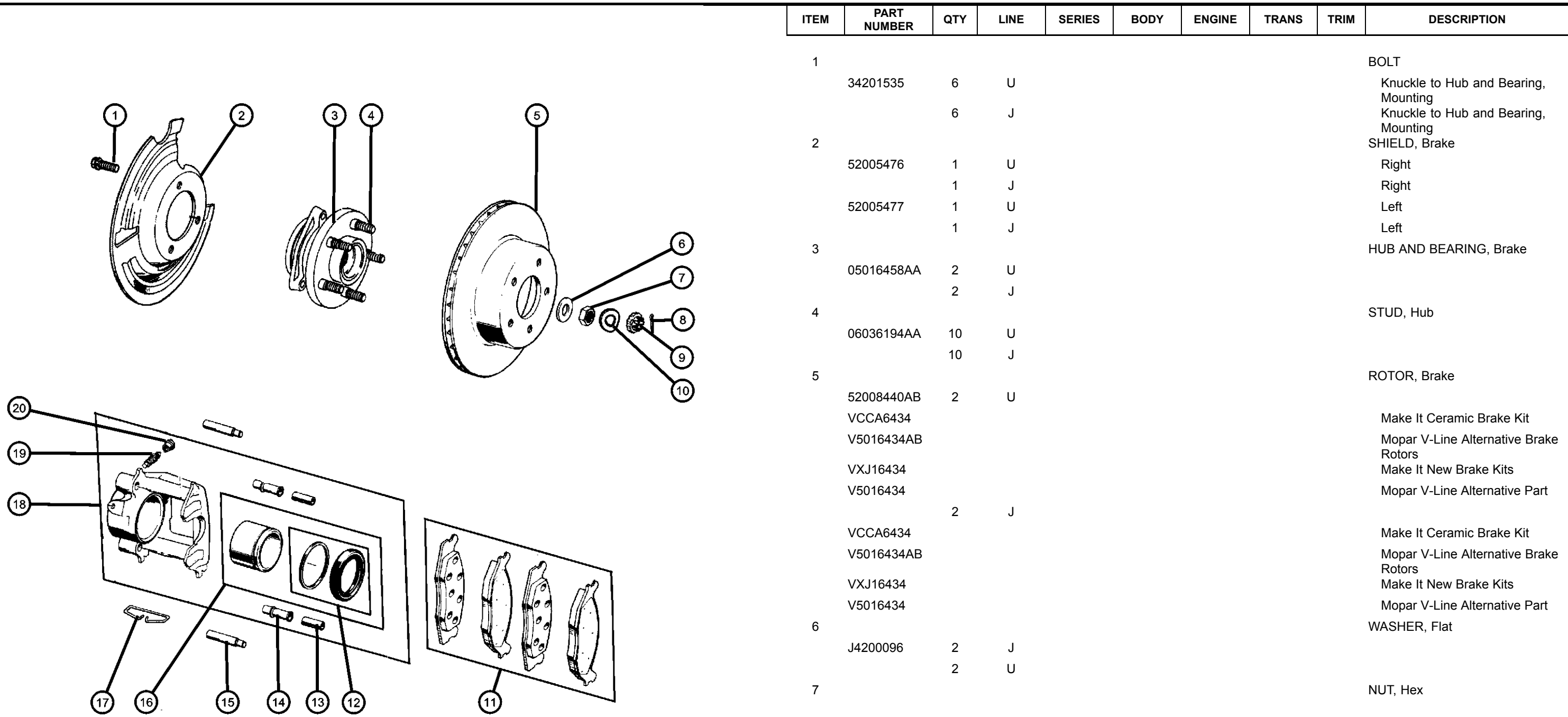
Brake Pedals

Brake Pedal,LHD Fig. 5 - 610

Brake Pedal,RHD Fig. 5 - 620

<p>005-100 Front Brakes</p> 	<p>005-200 Rear Brakes</p> 	<p>005-300 Power Brake Booster</p> 	<p>005-400 Brake Master Cylinder</p> 
<p>005-500 Brake Lines and Hoses</p> 	<p>005-600 Brake Pedals</p> 		

Front Brakes
Figure 5-110



ITEM	PART NUMBER	QTY	LINE	SERIES	BODY	ENGINE	TRANS	TRIM	DESCRIPTION
1	34201535	6	U						BOLT Knuckle to Hub and Bearing, Mounting
		6	J						Knuckle to Hub and Bearing, Mounting
2	52005476	1	U						SHIELD, Brake Right
		1	J						Right
	52005477	1	U						Left
		1	J						Left
3	05016458AA	2	U						HUB AND BEARING, Brake
		2	J						
4	06036194AA	10	U						STUD, Hub
		10	J						
5	52008440AB	2	U						ROTOR, Brake
	VCCA6434								Make It Ceramic Brake Kit
	V5016434AB								Mopar V-Line Alternative Brake Rotors
	VXJ16434								Make It New Brake Kits
	V5016434								Mopar V-Line Alternative Part
		2	J						
	VCCA6434								Make It Ceramic Brake Kit
	V5016434AB								Mopar V-Line Alternative Brake Rotors
	VXJ16434								Make It New Brake Kits
	V5016434								Mopar V-Line Alternative Part
6	J4200096	2	J						WASHER, Flat
		2	U						
7									NUT, Hex

WRANGLER (TJ)

SERIES LINE
 H = Sport J = Wrangler 4WD
 L = SE U = Wrangler 4WD (RHD)
 P = Sahara

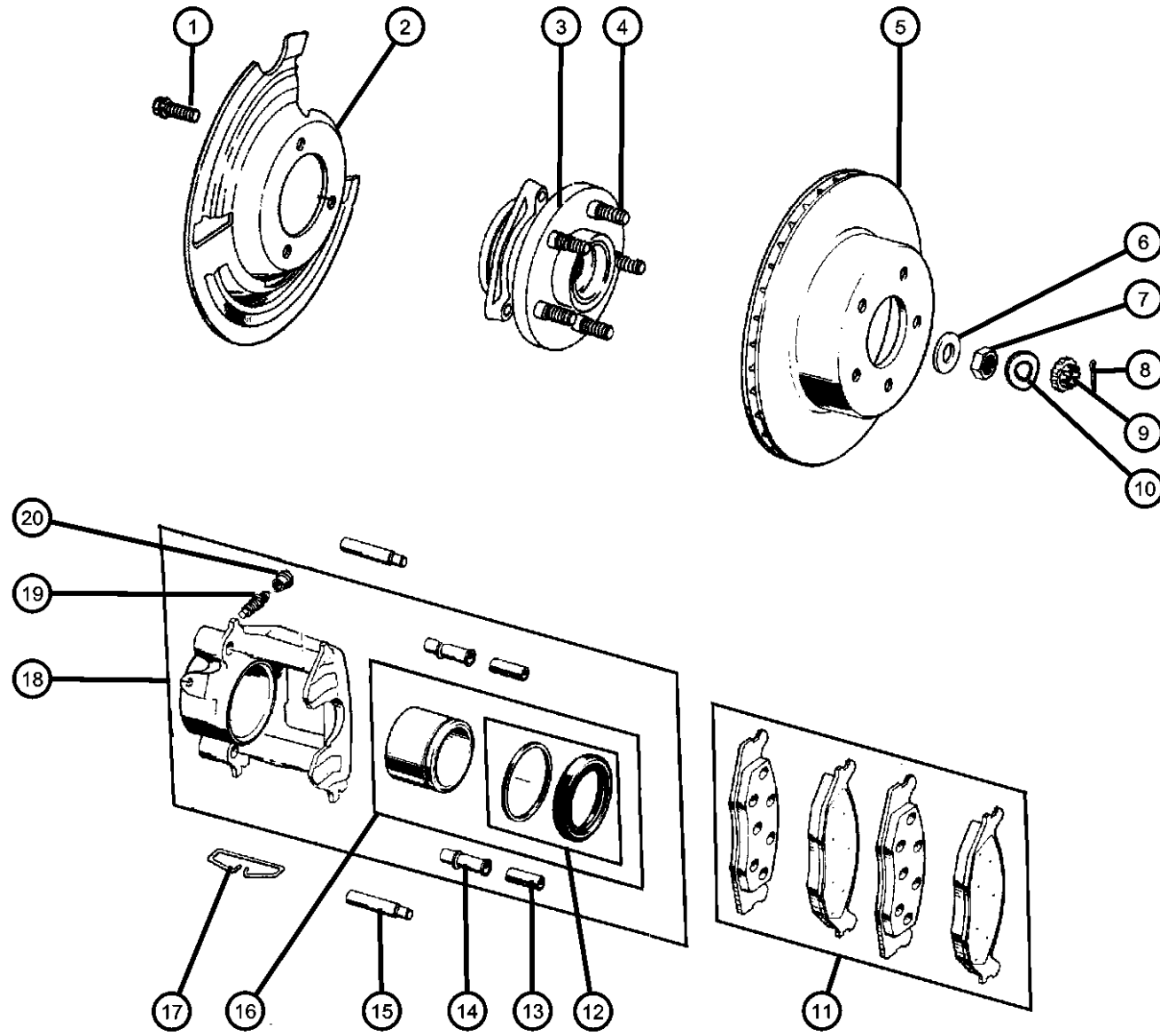
BODY
 77 = 93.4 WB

ENGINE
 EPE = ENGINE - 2.5L POWER TECH I-4 Cyl.
 ERH = ENGINE - 4.0L POWER TECH I-6

TRANSMISSION
 DDD = TRANSMISSION - 5-SPEED HD MANUAL
 DDQ = TRANSMISSION - 5-SPEED MANUAL
 DGD = TRANSMISSION - 3-SPD. AUTOMATIC,30RH
 DGG = TRANSMISSION - 3-SPD. AUTOMATIC,32RH
 DG0 = All Automatic Transmissions
 DBB = All Manual Transmissions
 DD0 = All 5 Speed Manual Transmissions

AR = use ase required - = Non illustrated part

Front Brakes
Figure 5-110



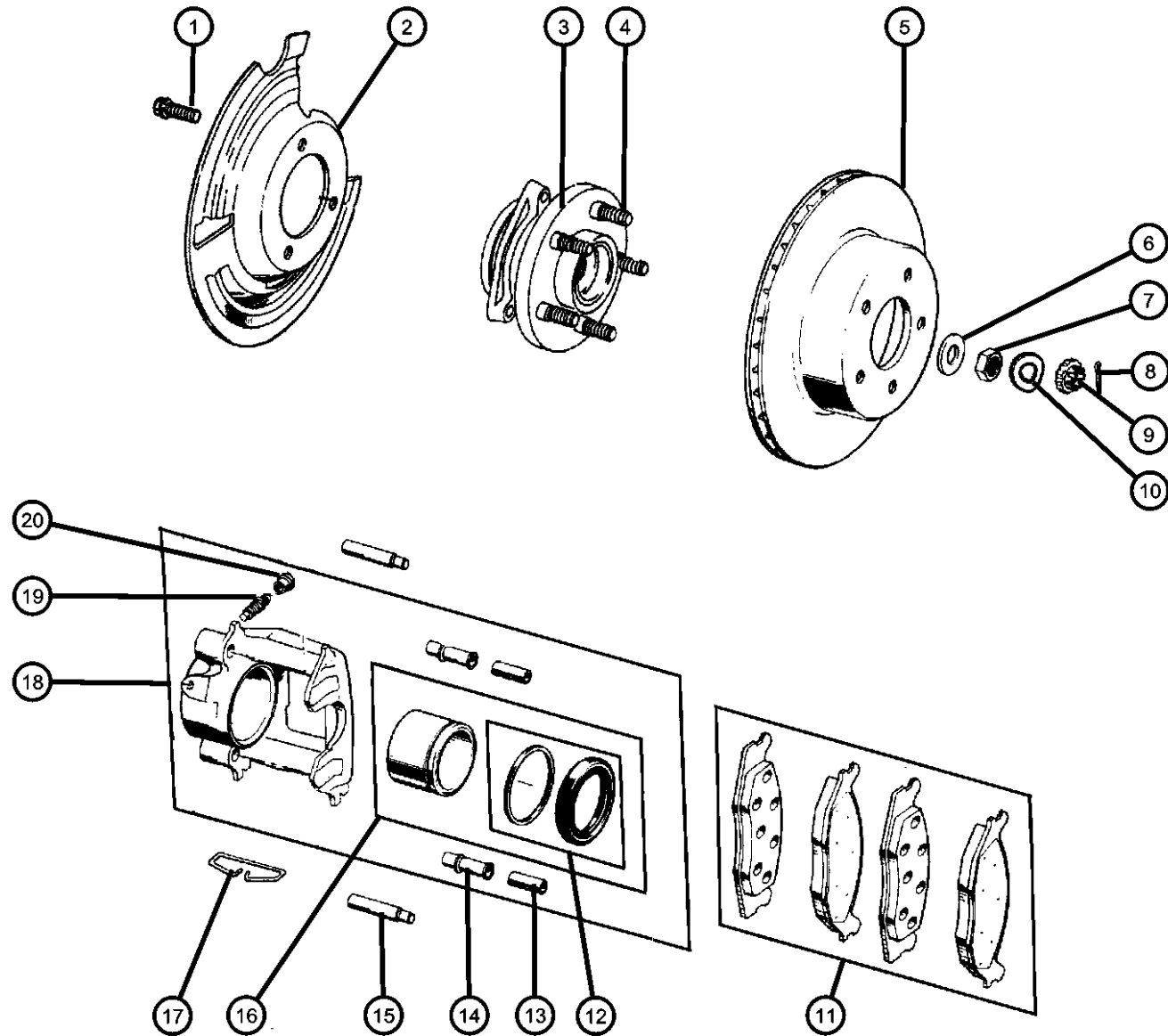
ITEM	PART NUMBER	QTY	LINE	SERIES	BODY	ENGINE	TRANS	TRIM	DESCRIPTION
	J4200095	2	U						
		2	J						
8									PIN, Cotter, M4x40.00
	11010069	2	U						
		2	J						
9									RETAINER, Hub Nut
	J4200097	2	J						
		2	U						
10									WASHER, Wave
	04740749	2	J						
		2	U						
11									PAD KIT, Front Disc Brake
	04883344	1	U						
	BHKH5605								Mopar V-Line Alternative Part Disc Hardware
	BHKH5066								Mopar V-Line Alternative Part Caliper Bolts
	V1010058AB								Mopar V-Line Alternative Part
	VK298584AA								Mopar Loaded Brake Caliper Kit (2 Calipers, Brake Friction)
	VXJ16434								Make It New Brake Kits
	VCCA6434								Make It New Brake Kits
	VOE16434								Make It Original Brake Kit
	V3010058								Mopar V-Line Alternative Part Ceramic
		1	J						
	BHKH5605								Mopar V-Line Alternative Part Disc Hardware
	BHKH5066								Mopar V-Line Alternative Part Caliper Bolts
	V1010058AB								Mopar V-Line Alternative Part
	VK298584AA								Mopar Loaded Brake Caliper Kit (2 Calipers, Brake Friction)
	VXJ16434								Make It New Brake Kits

WRANGLER (TJ)

SERIES	LINE	BODY	ENGINE	TRANSMISSION
H = Sport	J = Wrangler 4WD	77 = 93.4 WB	EPE = ENGINE - 2.5L POWER TECH I-4 Cyl.	DDD = TRANSMISSION - 5-SPEED HD MANUAL
L = SE	U = Wrangler 4WD (RHD)		ERH = ENGINE - 4.0L POWER TECH I-6	DDQ = TRANSMISSION - 5-SPEED MANUAL
P = Sahara				DGD = TRANSMISSION - 3-SPD. AUTOMATIC,30RH
				DGG = TRANSMISSION - 3-SPD. AUTOMATIC,32RH
				DG0 = All Automatic Transmissions
				DBB = All Manual Transmissions
				DD0 = All 5 Speed Manual Transmissions

AR = use ase required - = Non illustrated part

Front Brakes
Figure 5-110



ITEM	PART NUMBER	QTY	LINE	SERIES	BODY	ENGINE	TRANS	TRIM	DESCRIPTION
	VCCA6434								Make It New Brake Kits
	VOE16434								Make It Original Brake Kit
	V3010058								Mopar V-Line Alternative Part Ceramic
12									BOOT AND SEAL, Disc Brake
	J8133852	1	U						
		1	J						
13									BUSHING, Disc Brake Caliper
	04383471	2	U						
		2	J						
14									SLEEVE, Disc Brake Caliper
	04423573	2	U						
		2	J						
15									PIN, Caliper
	05253000	4	J						
		1	U						
16									PISTON, Brake
	05252614	1	U						
		1	J						
17									CLIP, Brake Caliper
	J3239865	2	U						
		2	J						
18									CALIPER, Disc Brake
	05252984	1	U						Right
	R5252984								Mopar Remanufactured Part
	U5252984								Core Part
	VK298584AA								Mopar Loaded Brake Caliper Kit (2 Calipers, Brake Friction) Right
		1	J						
	R5252984								Mopar Remanufactured Part
	U5252984								Core Part

WRANGLER (TJ)

SERIES LINE
H = Sport J = Wrangler 4WD
L = SE U = Wrangler 4WD (RHD)
P = Sahara

BODY
77 = 93.4 WB

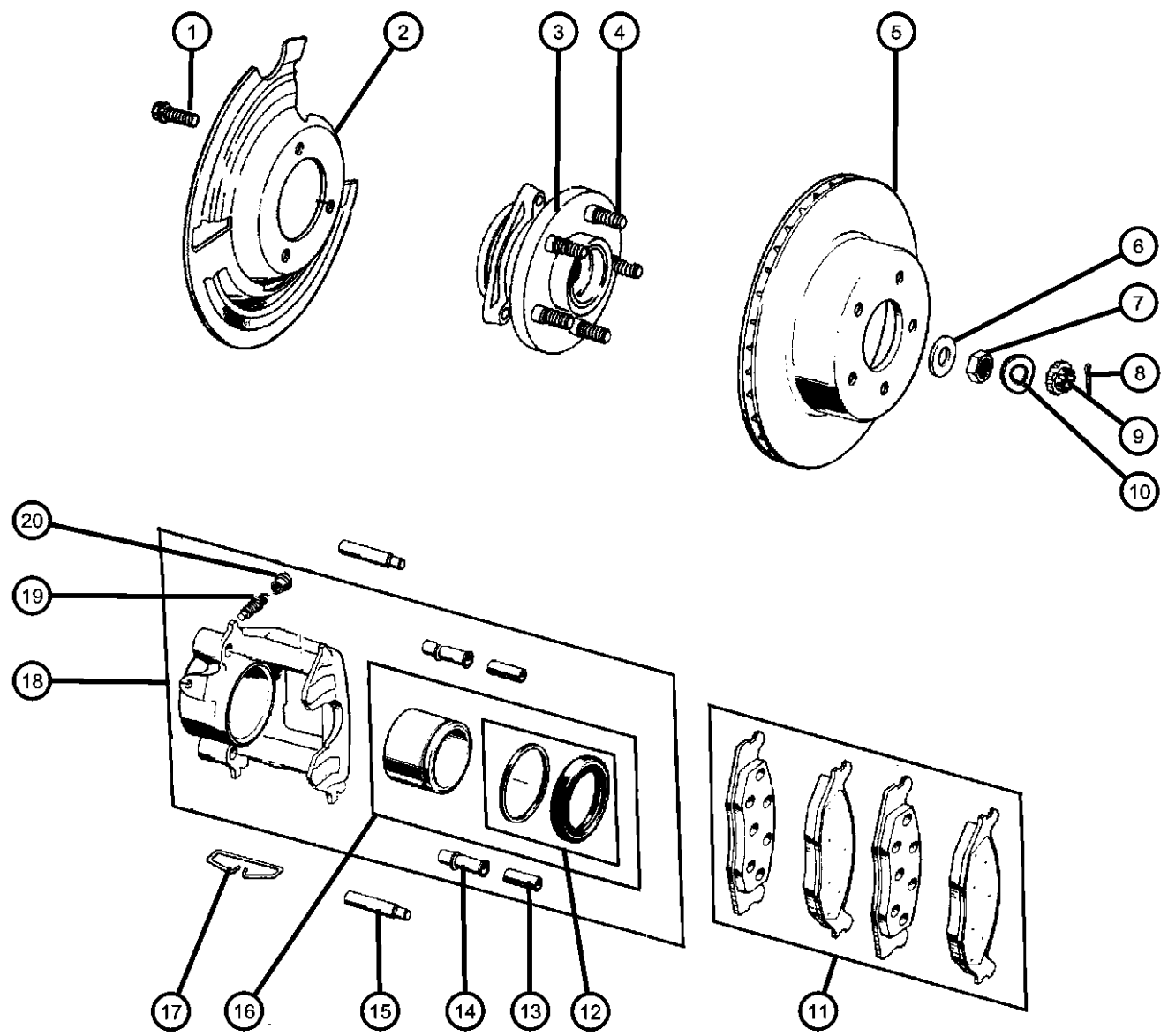
ENGINE
EPE = ENGINE - 2.5L POWER
TECH I-4 Cyl.
ERH = ENGINE - 4.0L
POWER TECH I-6

TRANSMISSION
DDD = TRANSMISSION - 5-SPEED
HD MANUAL
DDQ = TRANSMISSION - 5-SPEED
MANUAL
DGD = TRANSMISSION - 3-SPD.
AUTOMATIC,30RH
DGG = TRANSMISSION - 3-SPD.
AUTOMATIC,32RH
DGO = All Automatic Transmissions
DBB = All Manual Transmissions
DD0 = All 5 Speed Manual
Transmissions

AR = use ase required - = Non illustrated part

2000 TJ

Front Brakes
Figure 5-110



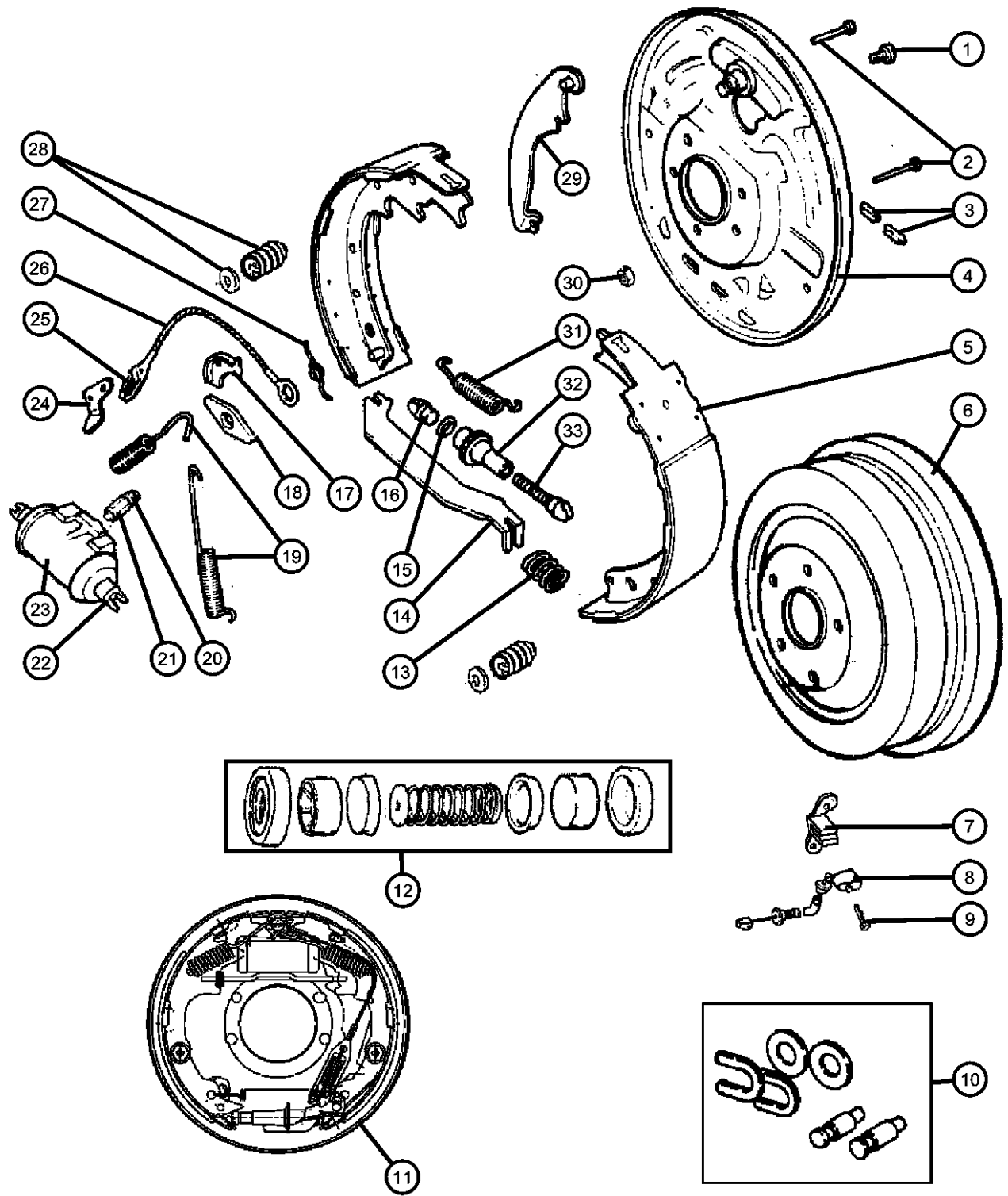
ITEM	PART NUMBER	QTY	LINE	SERIES	BODY	ENGINE	TRANS	TRIM	DESCRIPTION
	VK298584AA								Mopar Loaded Brake Caliper Kit (2 Calipers, Brake Friction) Left
	05252985	1	U						Mopar Remanufactured Part
	U5252985								Core Part
	VK298584AA								Mopar Loaded Brake Caliper Kit (2 Calipers, Brake Friction) Left
	R5252985	1	J						Mopar Remanufactured Part
	U5252985								Core Part
	VK298584AA								Mopar Loaded Brake Caliper Kit (2 Calipers, Brake Friction) Left
19	J3203313	1	U						SCREW, Bleeder
		1	J						
20	04238717	1	U						CAP, Bleeder
		1	J						

WRANGLER (TJ)

SERIES	LINE	BODY	ENGINE	TRANSMISSION
H = Sport	J = Wrangler 4WD	77 = 93.4 WB	EPE = ENGINE - 2.5L POWER TECH I-4 Cyl.	DDD = TRANSMISSION - 5-SPEED HD MANUAL
L = SE	U = Wrangler 4WD (RHD)		ERH = ENGINE - 4.0L POWER TECH I-6	DDQ = TRANSMISSION - 5-SPEED MANUAL
P = Sahara				DGD = TRANSMISSION - 3-SPD. AUTOMATIC,30RH
				DGG = TRANSMISSION - 3-SPD. AUTOMATIC,32RH
				DG0 = All Automatic Transmissions
				DBB = All Manual Transmissions
				DD0 = All 5 Speed Manual Transmissions

AR = use ase required - = Non illustrated part

Rear Drum Brakes
Figure 5-210



ITEM	PART NUMBER	QTY	LINE	SERIES	BODY	ENGINE	TRANS	TRIM	DESCRIPTION
------	-------------	-----	------	--------	------	--------	-------	------	-------------

Note:Sales Codes;
[BGA]=Brakes,- Power Front Disc/Rear Drum
[BGK]=Brakes - 4-Wheel Antilock

1									BOLT, Hex Head
	06028921	2	J						Wheel Cylinder, Mounting
		2	U						Wheel Cylinder, Mounting
2									PIN, Brake Shoe Hold Down
	02260548	2	U						
		2	J						
3									PLUG, Brake Adjusting Hole
	04238721	3	U						
		3	J						
4									PLATE, Brake Backing
	04856718AB	1	J						[BGK], Right
	04856719AB	1	J						[BGK], Left
	05017760AA	1	J						[BGA], Right
		1	U						[BGA], Right
	05017761AA	1	J						[BGA], Left
		1	U						[BGA], Left
5									SHOE AND LINING KIT, drum
	04723367AB	1	U						Up To and Including 03-09-00
	BHKH7265								Mopar V-Line Alternative Part All
	BHKH2526								In One Drum Combi Kits
	BHKH2527								Mopar V-Line Alternative Part
	V2010367AB								Drum Self Adjuster Kit Left
		1	J						Mopar V-Line Alternative Part
	BHKH7265								Drum Self Adjuster Kit
	BHKH2526								Mopar V-Line Alternative Part
									Up To and Including 03-09-00
									Mopar V-Line Alternative Part All
									In One Drum Combi Kits
									Mopar V-Line Alternative Part
									Drum Self Adjuster Kit Left

WRANGLER (TJ)

SERIES LINE
H = Sport J = Wrangler 4WD
L = SE U = Wrangler 4WD (RHD)
P = Sahara

BODY
77 = 93.4 WB

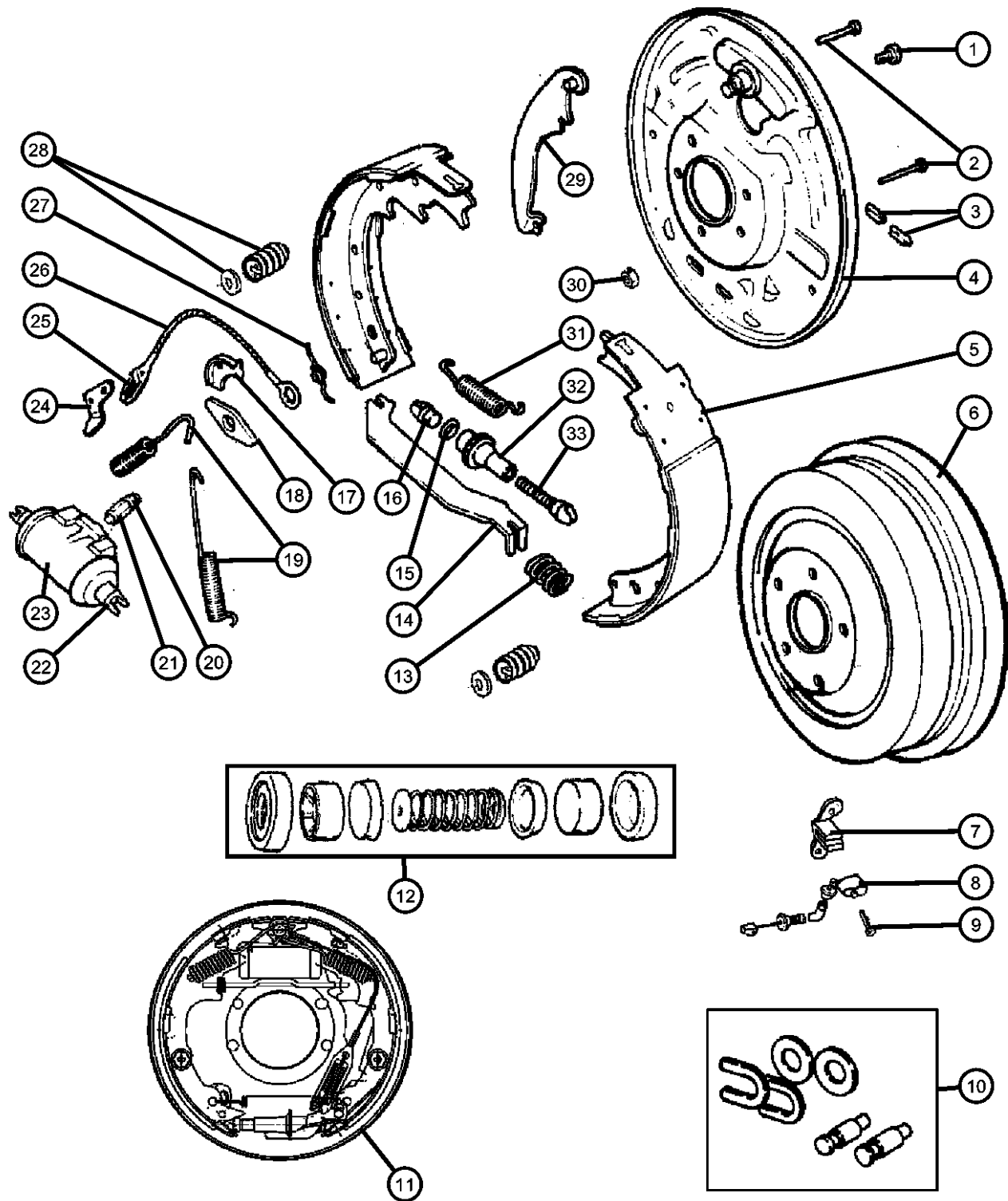
ENGINE
EPE = ENGINE - 2.5L POWER
TECH I-4 Cyl.
ERH = ENGINE - 4.0L
POWER TECH I-6

TRANSMISSION
DDD = TRANSMISSION - 5-SPEED
HD MANUAL
DDQ = TRANSMISSION - 5-SPEED
MANUAL
DGD = TRANSMISSION - 3-SPD.
AUTOMATIC,30RH
DGG = TRANSMISSION - 3-SPD.
AUTOMATIC,32RH
DGO = All Automatic Transmissions
DBB = All Manual Transmissions
DD0 = All 5 Speed Manual
Transmissions

AR = use ase required - = Non illustrated part

2000 TJ

Rear Drum Brakes
Figure 5-210



ITEM	PART NUMBER	QTY	LINE	SERIES	BODY	ENGINE	TRANS	TRIM	DESCRIPTION
	BHKH2527								Mopar V-Line Alternative Part Drum Self Adjuster Kit
	V2010367AB								Mopar V-Line Alternative Part
	05019536AA	1	J						03-10-00 and After
	BHKH7265								Mopar V-Line Alternative Part All In One Drum Combi Kits
	BHKH2626								Mopar V-Line Alternative Part Drum Self Adjuster Kit Left
	BHKH2627								Mopar V-Line Alternative Part Drum Self Adjuster Kit
	V2010367AB								Mopar V-Line Alternative Part
		1	U						03-10-00 and After
	BHKH7265								Mopar V-Line Alternative Part All In One Drum Combi Kits
	BHKH2626								Mopar V-Line Alternative Part Drum Self Adjuster Kit Left
	BHKH2627								Mopar V-Line Alternative Part Drum Self Adjuster Kit
	V2010367AB								Mopar V-Line Alternative Part
6									DRUM, Brake
	52005350	2	U						
		2	J						
7									BRACKET, Brake Sensor
	56026766	1	J						Right
	56026767	1	J						Left
8									SENSOR, Anti-Lock Brakes
	56027728	1	J						Right
	56027729	1	J						Left
9	83504920	2	J						BOLT, Anti-Lock Brake Sensor, Mounting
10									HARDWARE PACKAGE, Rear Brake
	04049681	1	J						
		1	U						
11									BRAKE ASSEMBLY, Rear Drum

WRANGLER (TJ)

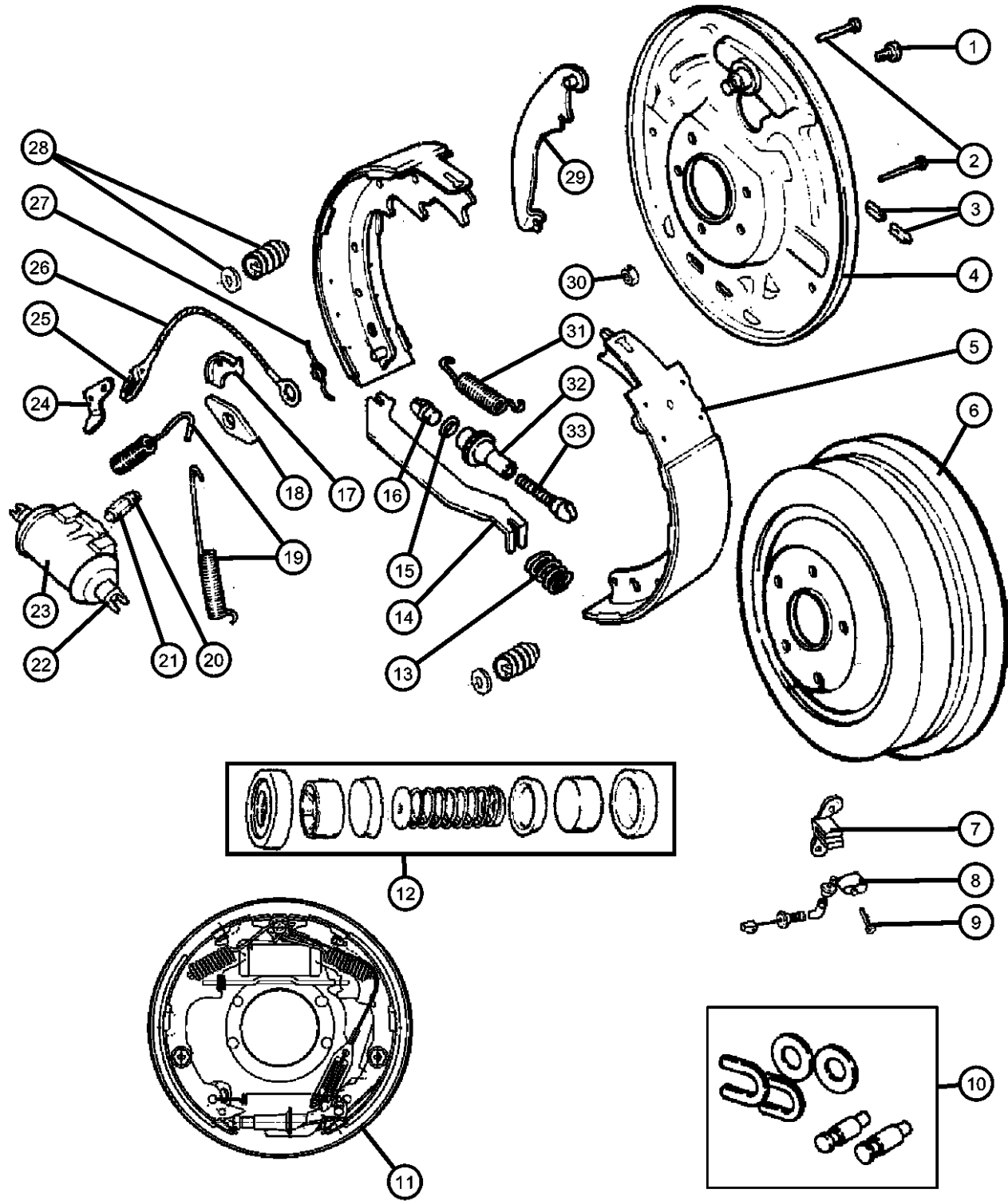
SERIES LINE BODY ENGINE TRANSMISSION
H = Sport J = Wrangler 4WD 77 = 93.4 WB
L = SE U = Wrangler 4WD (RHD)
P = Sahara

ENGINE TRANSMISSION
EPE = ENGINE - 2.5L POWER TECH I-4 Cyl.
ERH = ENGINE - 4.0L POWER TECH I-6
DDD = TRANSMISSION - 5-SPEED HD MANUAL
DDQ = TRANSMISSION - 5-SPEED MANUAL
DGD = TRANSMISSION - 3-SPD. AUTOMATIC,30RH
DGG = TRANSMISSION - 3-SPD. AUTOMATIC,32RH
DGO = All Automatic Transmissions
DBB = All Manual Transmissions
DD0 = All 5 Speed Manual Transmissions

AR = use ase required - = Non illustrated part

2000 TJ

Rear Drum Brakes
Figure 5-210



ITEM	PART NUMBER	QTY	LINE	SERIES	BODY	ENGINE	TRANS	TRIM	DESCRIPTION
	52008664AC	1	U						[BGA] Complete Less Drum, Right
		1	J						[BGA] Complete Less Drum, Right
	52008665AC	1	U						[BGA] Complete Less Drum, Left
		1	J						[BGA] Complete Less Drum, Left
	52008666AC	1	J						[BGK] Complete Less Drum, Right
	52008667AC	1	J						[BGK] Complete Less Drum, Left
12									REPAIR KIT, Wheel Cylinder
	05252630	1	U						Up To and Including 03-09-00
		1	J						Up To and Including 03-09-00
	05252631	1	U						03-10-00 and After
		1	J						03-10-00 and After
13									STRUT, Parking Brake
	04713590	1	U						
		1	J						
14									WASHER, Adjuster Button
	06027559	1	U						
		1	J						
15									BUTTON, Rear Brake Auto Adjust
	02944586	1	U						
		1	J						
16									GUIDE, Brake Adjusting Cable
	02260793	1	U						
		1	J						
17									PLATE, Brake Shoe Guide
	04313075	1	U						
		1	J						
18									SPRING, Brake Shoe Return
	02881676	2	U						

WRANGLER (TJ)
 SERIES LINE
 H = Sport J = Wrangler 4WD
 L = SE U = Wrangler 4WD (RHD)
 P = Sahara

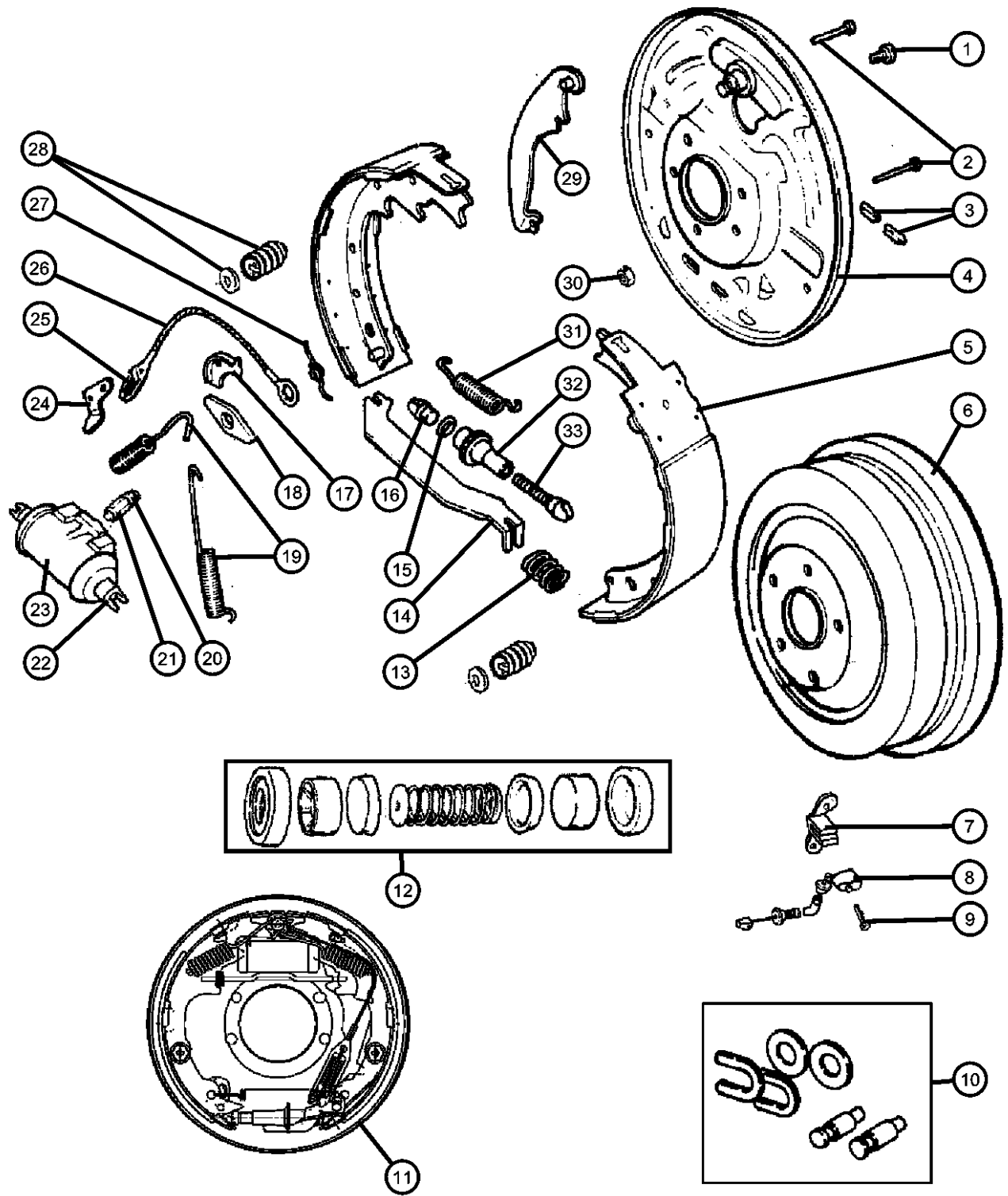
BODY
 77 = 93.4 WB

ENGINE
 EPE = ENGINE - 2.5L POWER TECH I-4 Cyl.
 ERH = ENGINE - 4.0L POWER TECH I-6

TRANSMISSION
 DDD = TRANSMISSION - 5-SPEED HD MANUAL
 DDQ = TRANSMISSION - 5-SPEED MANUAL
 DGD = TRANSMISSION - 3-SPD. AUTOMATIC,30RH
 DGG = TRANSMISSION - 3-SPD. AUTOMATIC,32RH
 DG0 = All Automatic Transmissions
 DBB = All Manual Transmissions
 DD0 = All 5 Speed Manual Transmissions

AR = use ase required - = Non illustrated part

Rear Drum Brakes
Figure 5-210



ITEM	PART NUMBER	QTY	LINE	SERIES	BODY	ENGINE	TRANS	TRIM	DESCRIPTION
19		2	J						CAP, Bleeder
	04238717	1	U						
		1	J						
20		1	J						SCREW, Bleeder
	03766674	1	U						
		1	J						
21		1							LINK, Brake, Purchase Wheel Cylinder, (NOT SERVICED) CYLINDER, Wheel
22		1							
	04313056	1	U						03-10-00 and After
		1	J						03-10-00 and After
	04423601	1	U						Up To and Including 03-09-00
		1	J						Up To and Including 03-09-00
23		1							LEVER, Park Brake Adjusting
	04761759	1	U						
		1	J						
24		1							SPRING, Adjuster Cable
	03461660	1	U						
		1	J						
25		1							CABLE, Brake Automatic Adjuster
	03461662	1	U						
		1	J						
26		1							SPRING, Brake Auto Adjuster Lever
	02944580	1	U						Right
		1	J						Right
	02944581	1	U						Left
		1	J						Left
27		1							SPRING, Brake Shoe Hold Down
	04313062	2	U						

WRANGLER (TJ)

SERIES LINE
H = Sport J = Wrangler 4WD
L = SE U = Wrangler 4WD (RHD)
P = Sahara

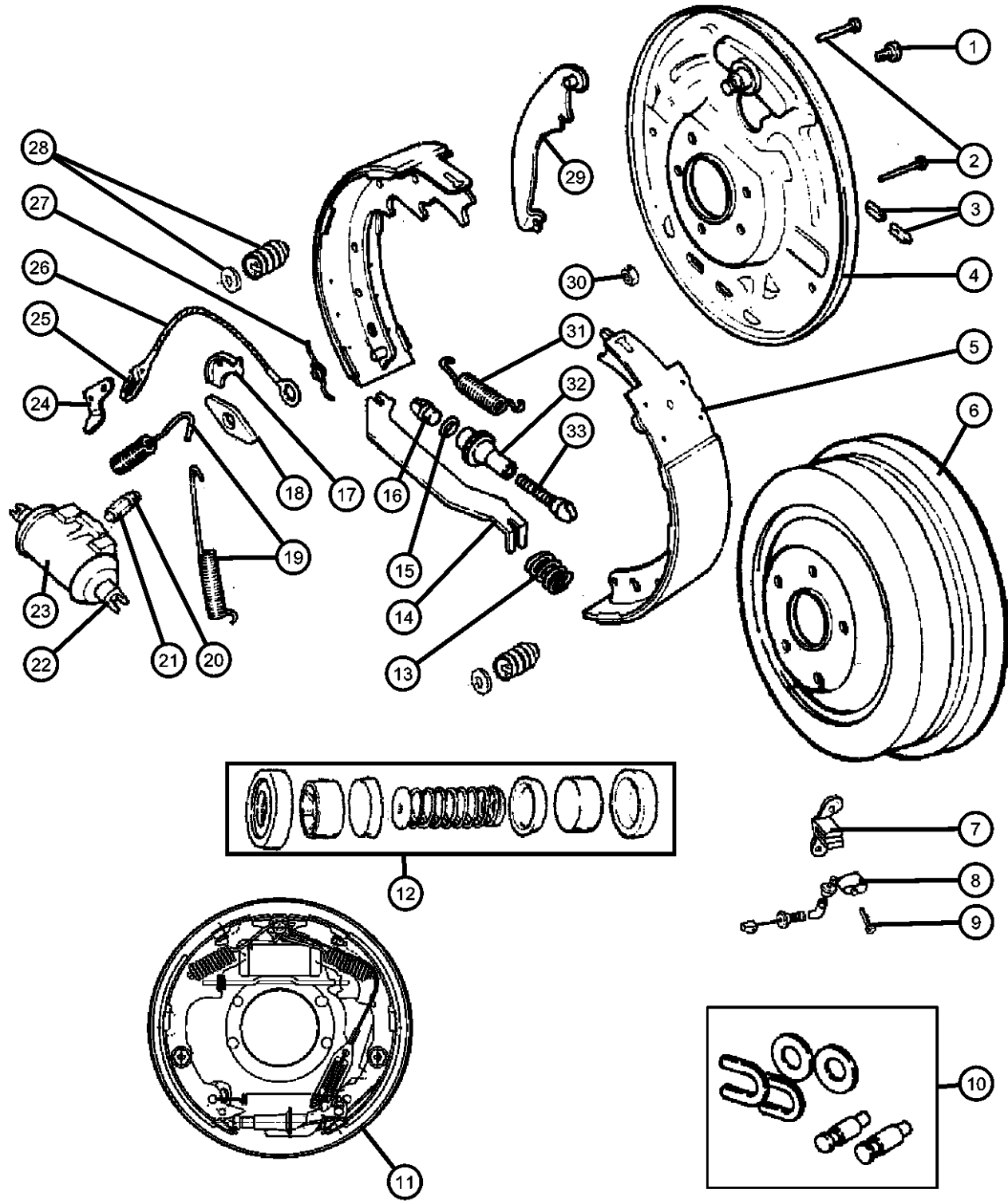
BODY
77 = 93.4 WB

ENGINE
EPE = ENGINE - 2.5L POWER TECH I-4 Cyl.
ERH = ENGINE - 4.0L POWER TECH I-6

TRANSMISSION
DDD = TRANSMISSION - 5-SPEED HD MANUAL
DDQ = TRANSMISSION - 5-SPEED MANUAL
DGD = TRANSMISSION - 3-SPD. AUTOMATIC,30RH
DGG = TRANSMISSION - 3-SPD. AUTOMATIC,32RH
DGO = All Automatic Transmissions
DBB = All Manual Transmissions
DDO = All 5 Speed Manual Transmissions

AR = use ase required - = Non illustrated part

Rear Drum Brakes
Figure 5-210



ITEM	PART NUMBER	QTY	LINE	SERIES	BODY	ENGINE	TRANS	TRIM	DESCRIPTION
		2	J						
28									LEVER, Park Brake
	04313810	1	U						Right
		1	J						Right
	04313811	1	U						Left
		1	J						Left
29									NUT, Hex Flange Lock
	J9411783	8	J						Backing Plate to Axle Housing
		8	U						Backing Plate to Axle Housing
30									SPRING, Brake Shoe to Shoe
	04423085	1	U						
		1	J						
31									NUT, Rear Brake Auto Adjust Pivot
	02944692	1	U						Right
		1	J						Right
	02944693	1	U						Left
		1	J						Left
32									SCREW, Brake Adjusting
	04423898	1	J						Right
		1	U						Right
	04423899	1	U						Left
		1	J						Left

WRANGLER (TJ)
 SERIES LINE
 H = Sport J = Wrangler 4WD
 L = SE U = Wrangler 4WD (RHD)
 P = Sahara

BODY
 77 = 93.4 WB

ENGINE
 EPE = ENGINE - 2.5L POWER TECH I-4 Cyl.
 ERH = ENGINE - 4.0L POWER TECH I-6

TRANSMISSION
 DDD = TRANSMISSION - 5-SPEED HD MANUAL
 DDQ = TRANSMISSION - 5-SPEED MANUAL
 DGD = TRANSMISSION - 3-SPD. AUTOMATIC,30RH
 DGG = TRANSMISSION - 3-SPD. AUTOMATIC,32RH
 DG0 = All Automatic Transmissions
 DBB = All Manual Transmissions
 DD0 = All 5 Speed Manual Transmissions

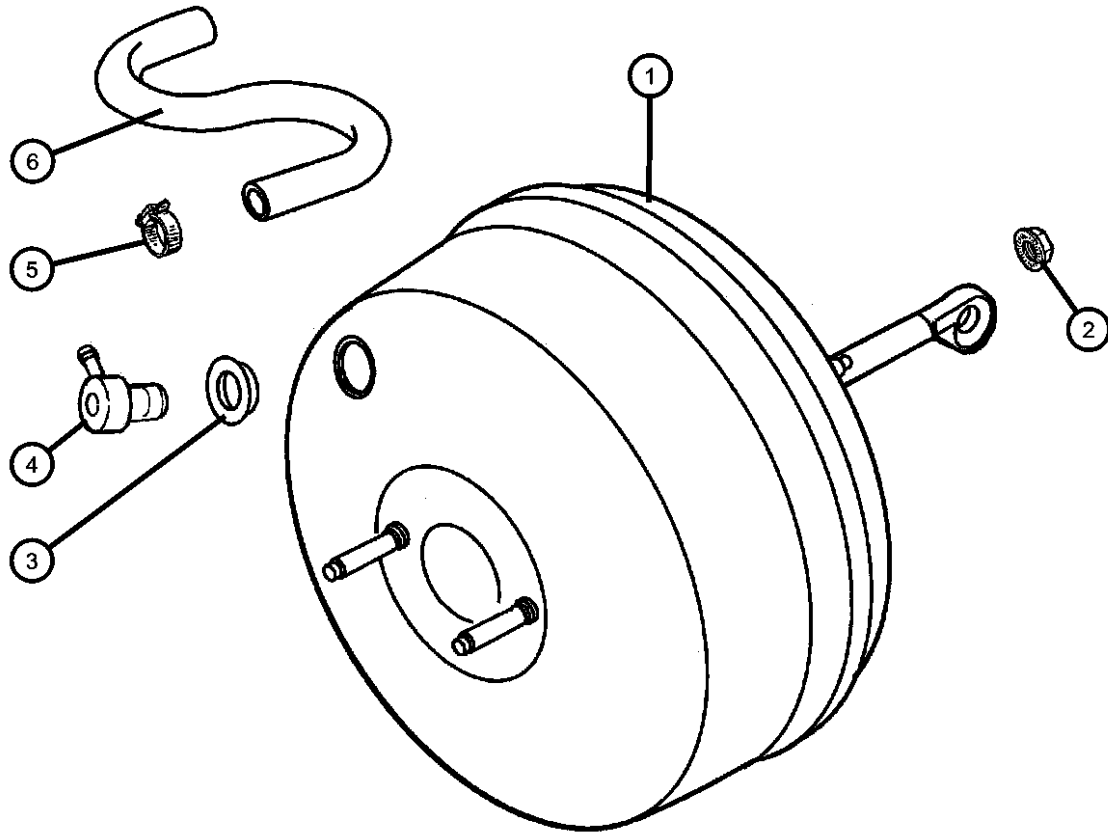
AR = use ase required - = Non illustrated part

**Power Brake Booster
Figure 5-310**

ITEM	PART NUMBER	QTY	LINE	SERIES	BODY	ENGINE	TRANS	TRIM	DESCRIPTION
------	-------------	-----	------	--------	------	--------	-------	------	-------------

Note:Sales Codes;
[EP0]=Engines - All 2.5L 4 Cylinder Gas
[ER0]=Engines - All 4.0L 6 Cylinder Gas

1	04798158AB	1							BOOSTER, Power Brake
2	J4003909	4							NUT, Hex Flange With Serration, Booster to Dash, Mounting
3	04883813AA	1							GROMMET, Brake Booster Check Valve
4	04584098	1							VALVE, Brake Booster Check
5	02448770	2							CLAMP, Hose
6									HOSE, Brake Vacuum
	03879277	1	J						[ER0]
	52128229	1	J						[EP0]



WRANGLER (TJ)

SERIES	LINE
H = Sport	J = Wrangler 4WD
L = SE	U = Wrangler 4WD (RHD)
P = Sahara	

BODY
77 = 93.4 WB

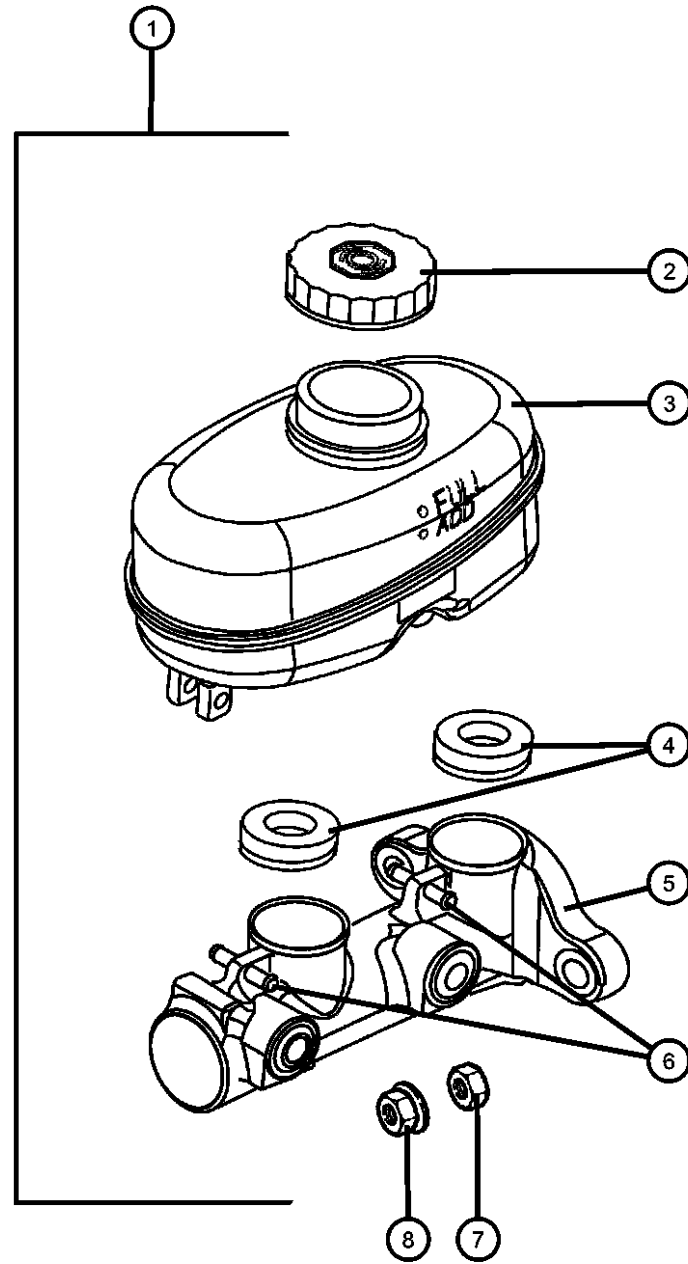
ENGINE
EPE = ENGINE - 2.5L POWER
TECH I-4 Cyl.
ERH = ENGINE - 4.0L
POWER TECH I-6

TRANSMISSION
DDD = TRANSMISSION - 5-SPEED
HD MANUAL
DDQ = TRANSMISSION - 5-SPEED
MANUAL
DGD = TRANSMISSION - 3-SPD.
AUTOMATIC,30RH
DGG = TRANSMISSION - 3-SPD.
AUTOMATIC,32RH
DG0 = All Automatic Transmissions
DBB = All Manual Transmissions
DD0 = All 5 Speed Manual
Transmissions

AR = use ase required - = Non illustrated part

2000 TJ

Master Cylinder
Figure 5-410



ITEM	PART NUMBER	QTY	LINE	SERIES	BODY	ENGINE	TRANS	TRIM	DESCRIPTION
1	04798157	1							MASTER CYLINDER, Brake
	R4798157								Mopar Remanufactured Part
	U4798157								Core Part
2	04683656	1							CAP, Master Cylinder Reservoir
3	04761943	1							RESERVOIR, Brake Master Cylinder, Includes items 4,5,6
4	04723389	2							GROMMET, Master Cylinder ReservoirMounting
5	04723395	1							SEAL, Master Cylinder To BoosterMounting
6	04723394	1							PIN, Master Cylinder ReservoirMounting
7	05017194AA	2							NUT, Master Cylinder to Brake Booster Stud, Mounting
8	34201711	2							NUT, Hex Flange, M8x1.25, Combination Valve Bracket to Master Cylinder Stud, Mounting

WRANGLER (TJ)

SERIES
H = Sport
L = SE
P = Sahara

LINE
J = Wrangler 4WD
U = Wrangler 4WD (RHD)

BODY
77 = 93.4 WB

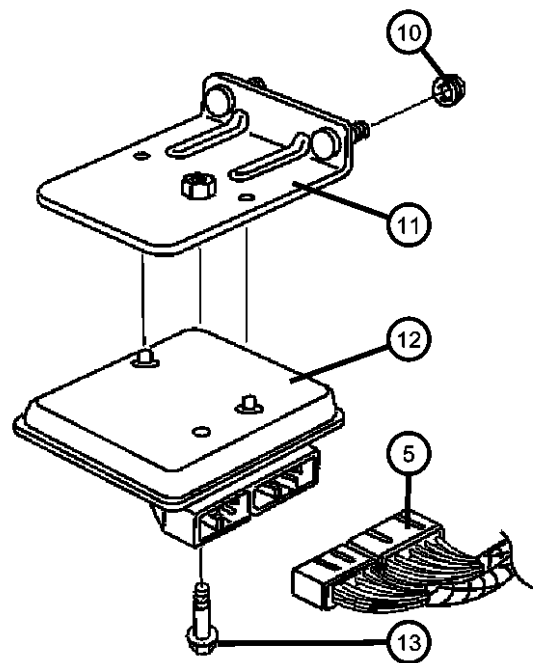
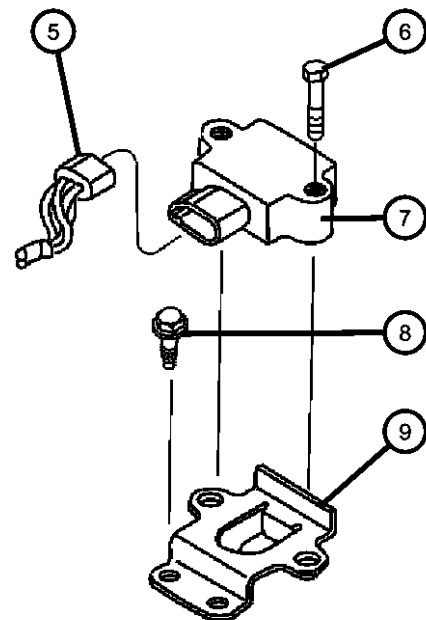
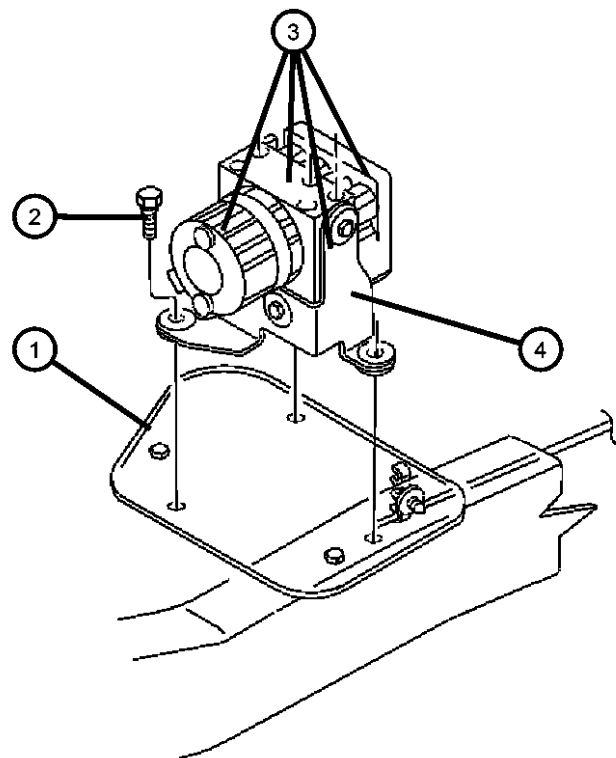
ENGINE
EPE = ENGINE - 2.5L POWER TECH I-4 Cyl.
ERH = ENGINE - 4.0L POWER TECH I-6

TRANSMISSION
DDD = TRANSMISSION - 5-SPEED HD MANUAL
DDQ = TRANSMISSION - 5-SPEED MANUAL
DGD = TRANSMISSION - 3-SPD. AUTOMATIC,30RH
DGG = TRANSMISSION - 3-SPD. AUTOMATIC,32RH
DG0 = All Automatic Transmissions
DBB = All Manual Transmissions
DD0 = All 5 Speed Manual Transmissions

AR = use ase required - = Non illustrated part

2000 TJ

**Hydraulic Control Unit
Figure 5-510**



ITEM	PART NUMBER	QTY	LINE	SERIES	BODY	ENGINE	TRANS	TRIM	DESCRIPTION
1	55176141	1	J						BRACKET, abs control unit Mounting
	55176142	1	U						Mounting
2	34201888	3							SCREW, Hex Head, HCU to Bracket, Mounting
3	52127930	1							CONTROL UNIT, Anti-Lock Brake
4	52008401	1							BRACKET, Brake Control Unit
5	52008401	1							WIRING, Engine Compartment, See Group 8, (NOT SERVICED)
6	06035991AA	2							SCREW, Hex Flange Head, ABS Acceleration Switch, Mounting
7	56006315AB	1							SWITCH, ABS Acceleration
8	56006315AB	1							SCREW, Hex Flange Head Tapping, .190-16x.750, (NOT SERVICED)
9	56027944	1							BRACKET, Anti-Lock Brake Switch, Acceleration, Mounting
10	56027944	1							NUT AND SEALER, .250-20, (NOT SERVICED)
11	56027878	1							BRACKET, ModuleMounting
12	56027271AB	1							MODULE, Anti-Lock Brake System
13	56027271AB	1							SCREW, Hex Head, M6x1x30, (NOT SERVICED)

WRANGLER (TJ)

SERIES	LINE
H = Sport	J = Wrangler 4WD
L = SE	U = Wrangler 4WD (RHD)
P = Sahara	

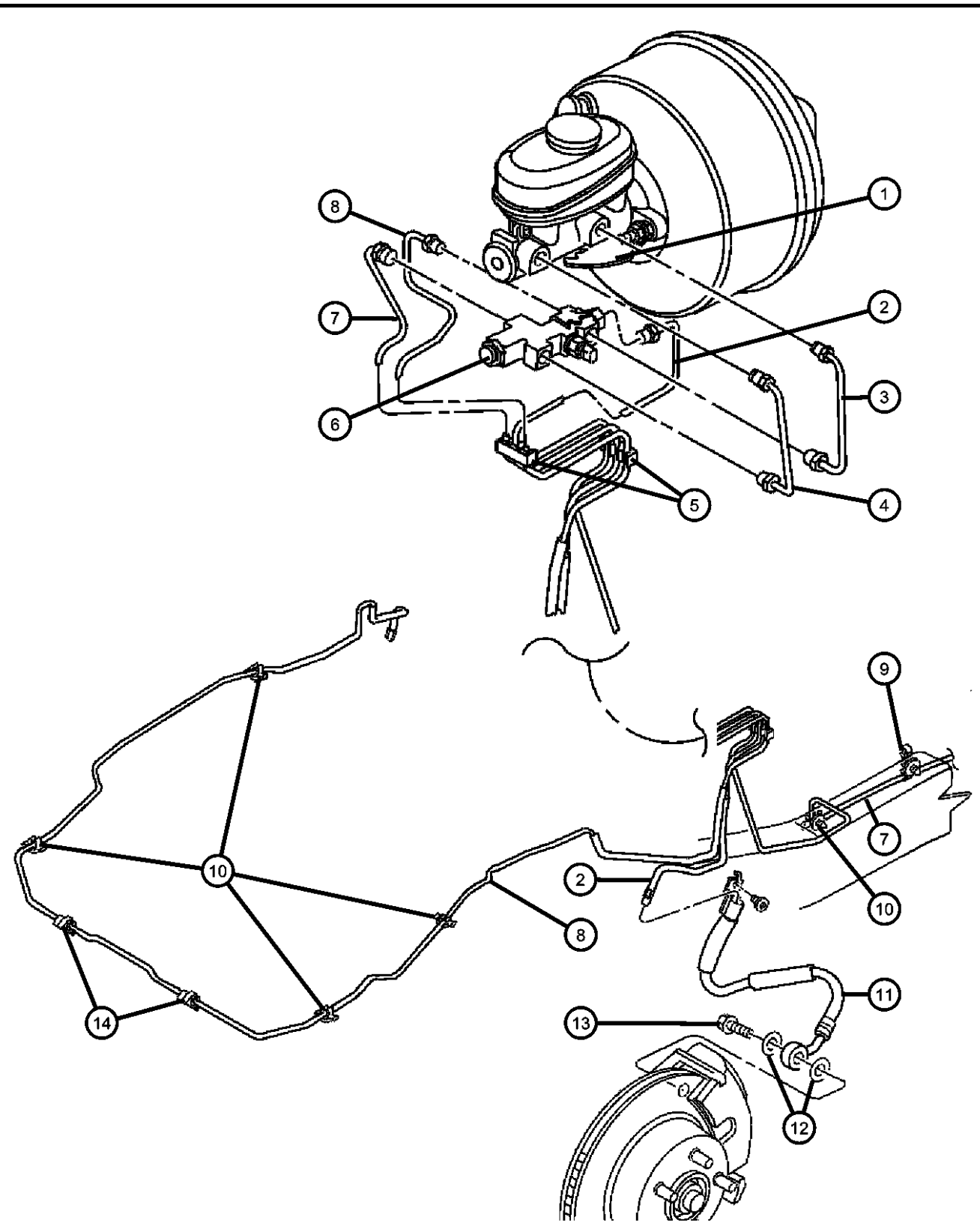
BODY
77 = 93.4 WB

ENGINE
EPE = ENGINE - 2.5L POWER TECH I-4 Cyl.
ERH = ENGINE - 4.0L POWER TECH I-6

TRANSMISSION
DDD = TRANSMISSION - 5-SPEED HD MANUAL
DDQ = TRANSMISSION - 5-SPEED MANUAL
DGD = TRANSMISSION - 3-SPD. AUTOMATIC,30RH
DGG = TRANSMISSION - 3-SPD. AUTOMATIC,32RH
DG0 = All Automatic Transmissions
DBB = All Manual Transmissions
DD0 = All 5 Speed Manual Transmissions

AR = use ase required - = Non illustrated part

Brake Lines and Hoses,Front,LHD Without ABS
Figure 5-520



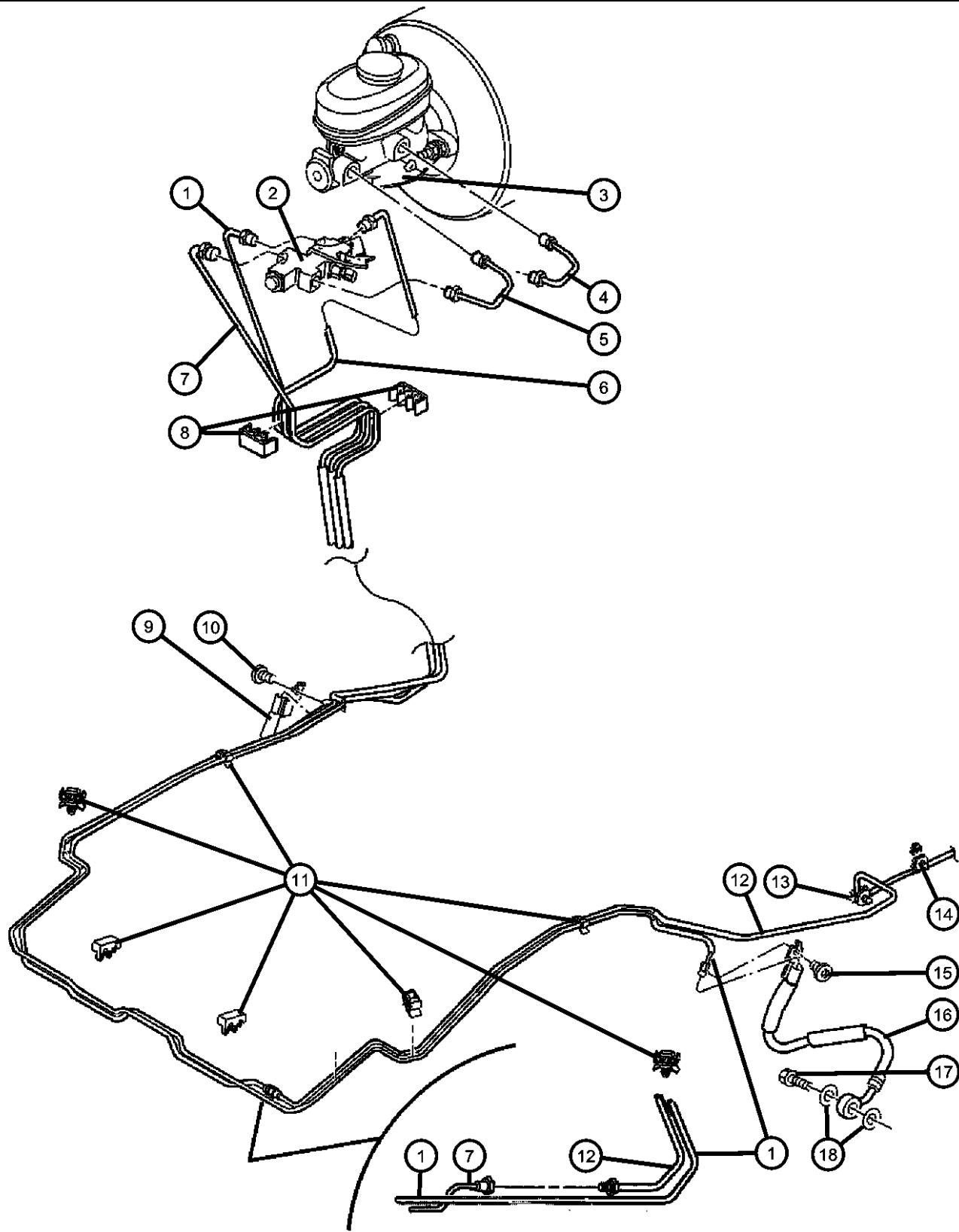
ITEM	PART NUMBER	QTY	LINE	SERIES	BODY	ENGINE	TRANS	TRIM	DESCRIPTION
1	52127970	1							BRACKET, Brake Valve, Proportioning Valve, Mounting
2	52008443	1	J						TUBE, Brake, Proportioning Valve to Brake Hose, Left
3	52008399	1							TUBE, Brake, Master Cylinder to Proportioning Valve, Secondary
4	52008398	1							TUBE, Brake, Master Cylinder to Proportioning Valve, Primary
5	52128245AB	2							CLIP, Brake TubeMounting
6	52009115	1							VALVE, Proportioning
7	52008385	1	J						TUBE, Brake, Proportioning Valve to Brake Hose, Rear
8	52008442AC	1	J						TUBE, Brake, Proportioning Valve to Brake Hose, Right
9	34202371	2							CLIP, Quad TubesMounting
10									CLIP, Latch&Line
	34202688	5	J						Mounting
		1	U						Mounting
11									HOSE, Brake
	52008674AC	1							Right
	52008675AC	1							Left
12	J3237672	4							GASKET, Brake Hose To CaliperMounting
13	J4006700	2							BOLT, Banjo, Brake Hose to Caliper, Mounting
14	52128175	2							CLIP, Brake Attaching Tube, 3 WayMounting

WRANGLER (TJ)

SERIES	LINE	BODY	ENGINE	TRANSMISSION
H = Sport	J = Wrangler 4WD	77 = 93.4 WB	EPE = ENGINE - 2.5L POWER TECH I-4 Cyl.	DDD = TRANSMISSION - 5-SPEED HD MANUAL
L = SE	U = Wrangler 4WD (RHD)		ERH = ENGINE - 4.0L POWER TECH I-6	DDQ = TRANSMISSION - 5-SPEED MANUAL
P = Sahara				DGD = TRANSMISSION - 3-SPD. AUTOMATIC,30RH
				DGG = TRANSMISSION - 3-SPD. AUTOMATIC,32RH
				DG0 = All Automatic Transmissions
				DBB = All Manual Transmissions
				DD0 = All 5 Speed Manual Transmissions

AR = use ase required - = Non illustrated part

Brake Lines and Hoses,Front,RHD,Without ABS
Figure 5-530



ITEM	PART NUMBER	QTY	LINE	SERIES	BODY	ENGINE	TRANS	TRIM	DESCRIPTION
1	52009095AD	1	U						TUBE, Brake, Proportioning Valve to Brake Hose, Left
2	52009115	1							VALVE, Proportioning
3	52127970	1							BRACKET, Brake ValveMounting
4	52008399	1							TUBE, Brake, Master Cylinder to Proportioning Valve, Secondary
5	52008398	1							TUBE, Brake, Master Cylinder to Proportioning Valve, Primary
6	52009094AB	1	U						TUBE, Brake, Proportioning Valve to Brake Hose, Right
7	52008930AC	1	U						TUBE, Brake, Proportioning Valve to Tube Coupling
8	52128245AB	2							CLIP, Brake TubeMounting
9	52008674AC	1							HOSE, Brake
10	34201670	2							SCREW, Pan Head, M8-1.25x13, Hose to Frame, Mounting
11									CLIP, Brake Attaching Tube, 3 Way To Front Crossmember, Mounting
	52128175	2							To Frame, Mounting
		4	U						
12	52008982AC	1	U						TUBE, Brake, Tube Coupling to Brake Hose, Rear
13	34202688	1	U						CLIP, Latch&Line, 1 Way, Mounting
14	34202371	2							CLIP, Quad Tubes
15	34201670	2							SCREW, Pan Head, M8-1.25x13, Hose to Frame, Mounting
16	52008675AC	1							HOSE, Brake
17	J4006700	2							BOLT, Banjo, Brake Hose to Caliper, Mounting
18	J3237672	4							GASKET, Brake Hose To CaliperMounting

WRANGLER (TJ)

SERIES	LINE
H = Sport	J = Wrangler 4WD
L = SE	U = Wrangler 4WD (RHD)
P = Sahara	

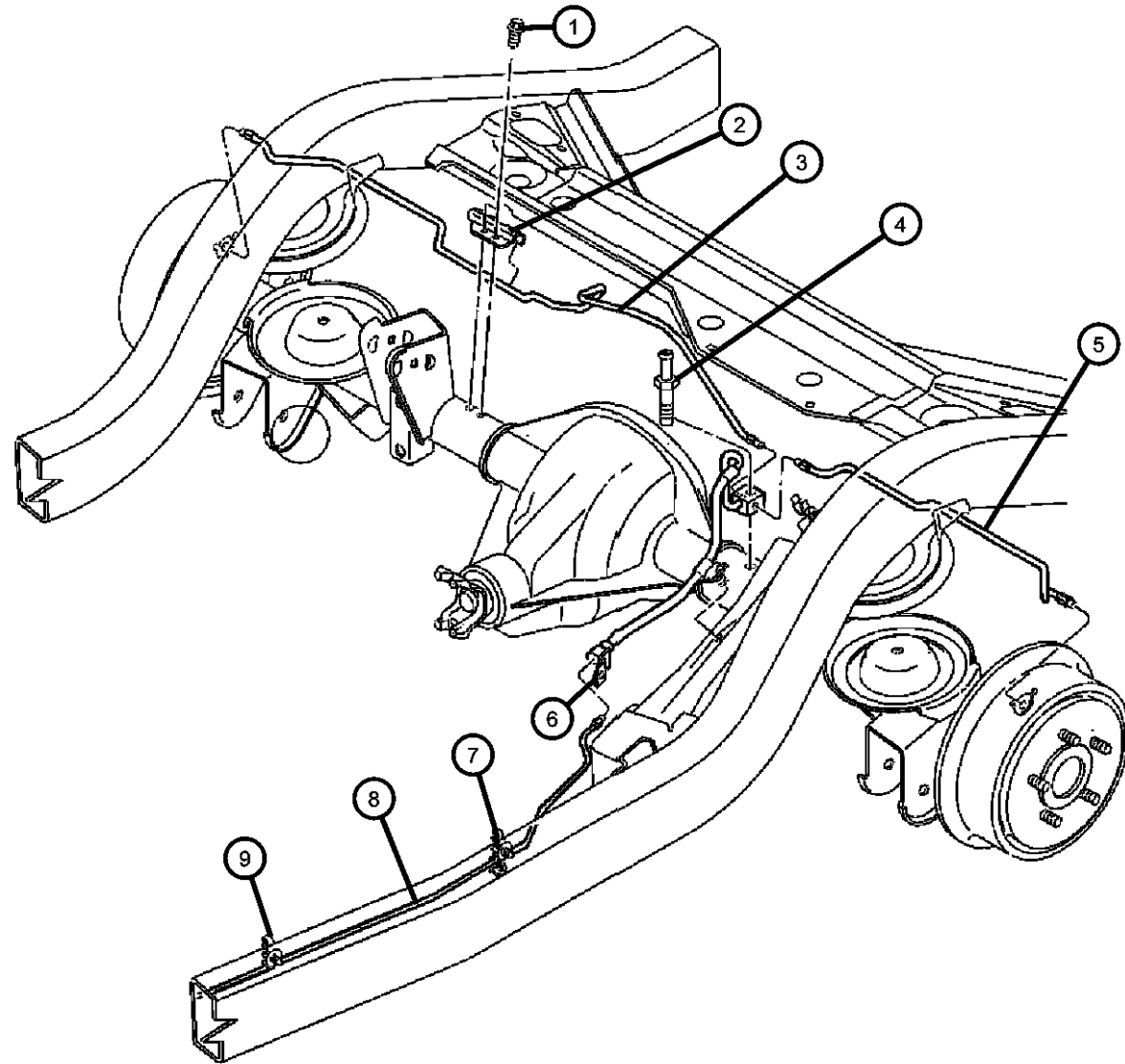
BODY
77 = 93.4 WB

ENGINE
EPE = ENGINE - 2.5L POWER TECH I-4 Cyl.
ERH = ENGINE - 4.0L POWER TECH I-6

TRANSMISSION
DDD = TRANSMISSION - 5-SPEED HD MANUAL
DDQ = TRANSMISSION - 5-SPEED MANUAL
DGD = TRANSMISSION - 3-SPD. AUTOMATIC,30RH
DGG = TRANSMISSION - 3-SPD. AUTOMATIC,32RH
DG0 = All Automatic Transmissions
DBB = All Manual Transmissions
DD0 = All 5 Speed Manual Transmissions

AR = use ase required - = Non illustrated part

Brake Lines and Hoses,Rear,LHD,RHD Without ABS
Figure 5-540



ITEM	PART NUMBER	QTY	LINE	SERIES	BODY	ENGINE	TRANS	TRIM	DESCRIPTION
Note:Sales Codes; [DRJ]=Dana M35/194MM Rear Axle [DRK]=Dana 44/226MM Rear Axle									
1	34201912	2							SCREW, Self Tapping, M6x1x14, Brake Tube Shield to Axle Tube, Mounting
2	52128189	1							SHIELD, Brake Line, Rear Axle
3									TUBE, Brake
	52008402	1							[DRJ], Right
	52009092	1							[DRK], Right
4	04137696	1							SCREW, Brake Tee, .437-20x2.07, Axle Vent and Brake Tee, Mounting
5									TUBE, Brake
	52008403	1							[DRJ], Left
	52009093	1							[DRK], Left
6	52008391	1							HOSE, BrakeRear
7	34202371	2							CLIP, Quad Tubes, As Required, Mounting
8									TUBE, Brake
	52008385	1			J				Proportioning Valve to Brake Hose, Rear
	52008982AC	1			U				Tube Coupling to Brake Hose, Rear
9	52007995	3							CLIP, Five Way Fastener, As Required, Mounting

WRANGLER (TJ)

SERIES	LINE
H = Sport	J = Wrangler 4WD
L = SE	U = Wrangler 4WD (RHD)
P = Sahara	

BODY
 77 = 93.4 WB

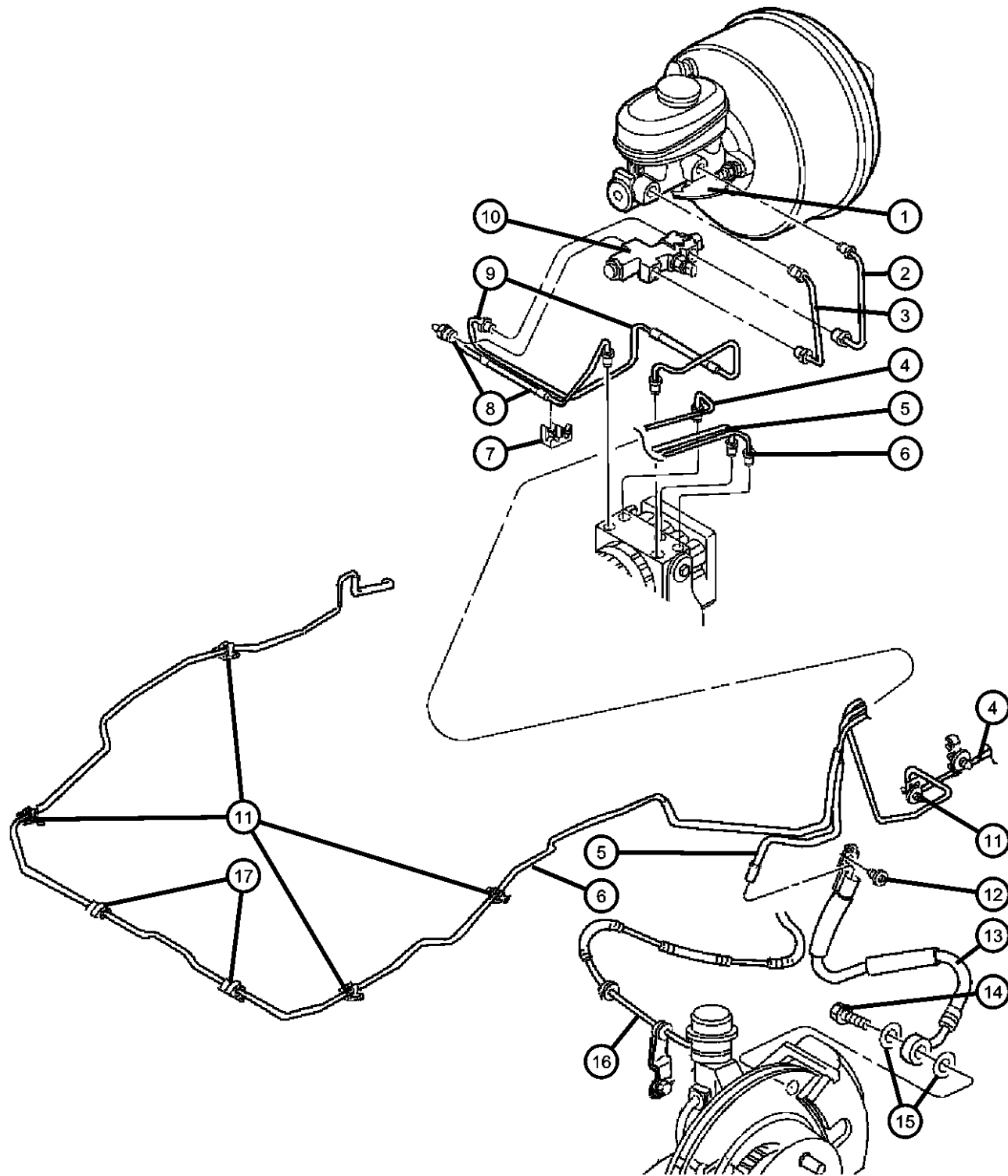
ENGINE
 EPE = ENGINE - 2.5L POWER TECH I-4 Cyl.
 ERH = ENGINE - 4.0L POWER TECH I-6

TRANSMISSION
 DDD = TRANSMISSION - 5-SPEED HD MANUAL
 DDQ = TRANSMISSION - 5-SPEED MANUAL
 DGD = TRANSMISSION - 3-SPD. AUTOMATIC,30RH
 DGG = TRANSMISSION - 3-SPD. AUTOMATIC,32RH
 DG0 = All Automatic Transmissions
 DBB = All Manual Transmissions
 DD0 = All 5 Speed Manual Transmissions

AR = use ase required - = Non illustrated part

2000 TJ

Brake Lines and Hoses,Front,LHD,With ABS
Figure 5-550



ITEM	PART NUMBER	QTY	LINE	SERIES	BODY	ENGINE	TRANS	TRIM	DESCRIPTION
1	52127970	1							BRACKET, Brake ValveMounting
2	52008399	1							TUBE, Brake, Master Cylinder to Proportioning Valve, Secondary
3	52008398	1							TUBE, Brake, Master Cylinder to Proportioning Valve, Primary
4	52008386	1	J						TUBE, Brake, HCU to Brake Hose, Rear
5	52008545	1	J						TUBE, Brake, HCU to Brake Front Hose, Left
6	52008544AB	1	J						TUBE, Brake, HCU to Brake Front Hose, Right
7	52008940	1							CLIP, Brake Line
8	52008640	1	J						HOSE, Brake, Proportioning Valve to HCU, Primary
9	52008641	1	J						HOSE, Brake, Proportioning Valve to HCU, Secondary
10	52008549	1							VALVE, Proportioning
11	34202688	5	J						CLIP, Latch&Line, Brake Line to Frame, Mounting
12	34201670	2							SCREW, Pan Head, M8-1.25x13, Front brake Hose to Frame, Mounting
13									HOSE, Brake Right Left
	52008674AC	1							Right
	52008675AC	1							Left
14	J4006700	2							BOLT, Banjo, To Caliper, Mounting
15	J3237672	4							GASKET, Brake Hose To CaliperMounting
16	56027727	2	J						SENSOR, Anti-Lock BrakesRight or Left
17	52128175	2							CLIP, Brake Attaching Tube, 3 Way, Double Tube Brake line, Mounting
-18	04641780	2							STRAP, Tie, Speed Sensor to Convolute Tubing, Right or Left

WRANGLER (TJ)

SERIES LINE
H = Sport J = Wrangler 4WD
L = SE U = Wrangler 4WD (RHD)
P = Sahara

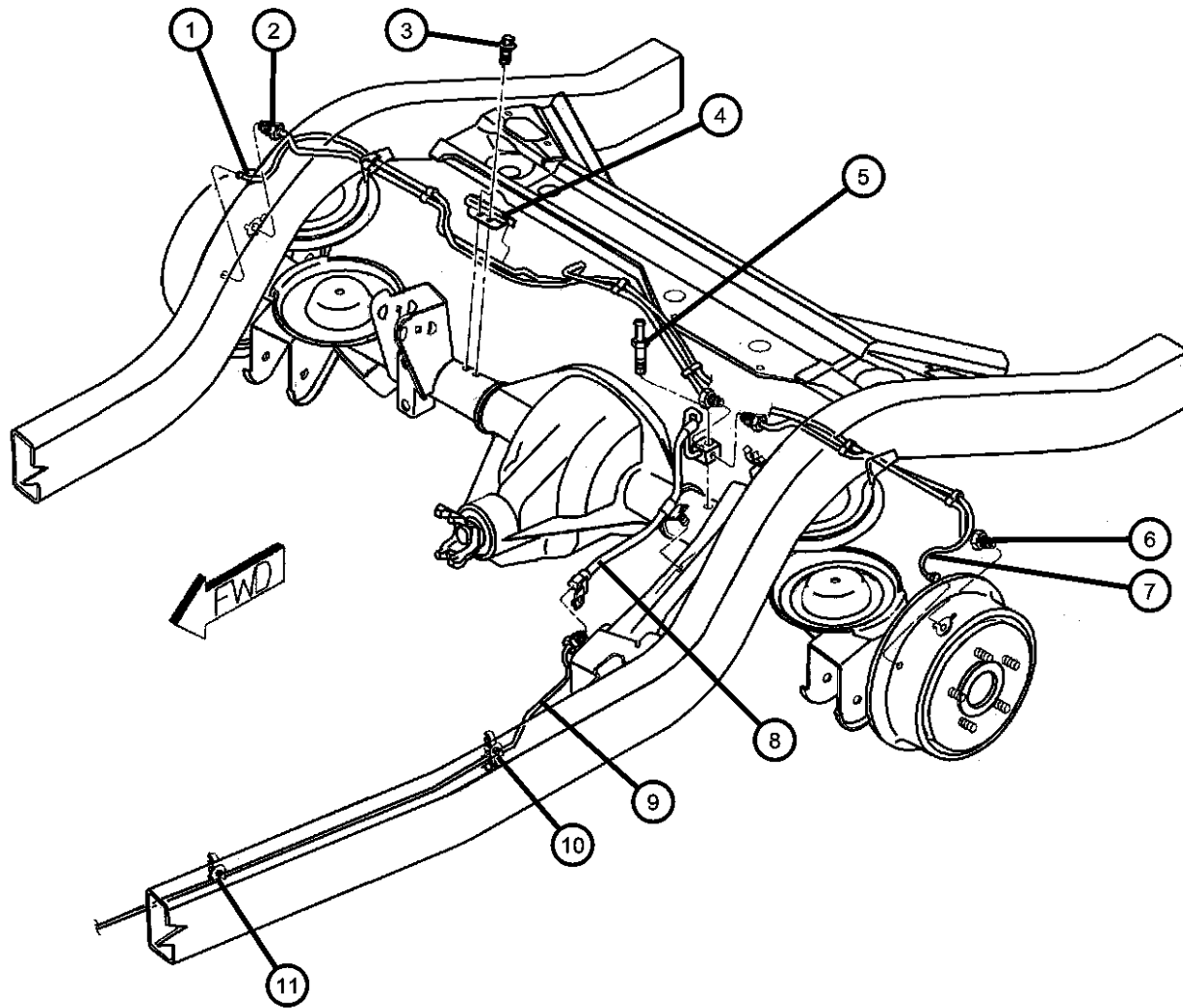
BODY
77 = 93.4 WB

ENGINE
EPE = ENGINE - 2.5L POWER TECH I-4 Cyl.
ERH = ENGINE - 4.0L POWER TECH I-6

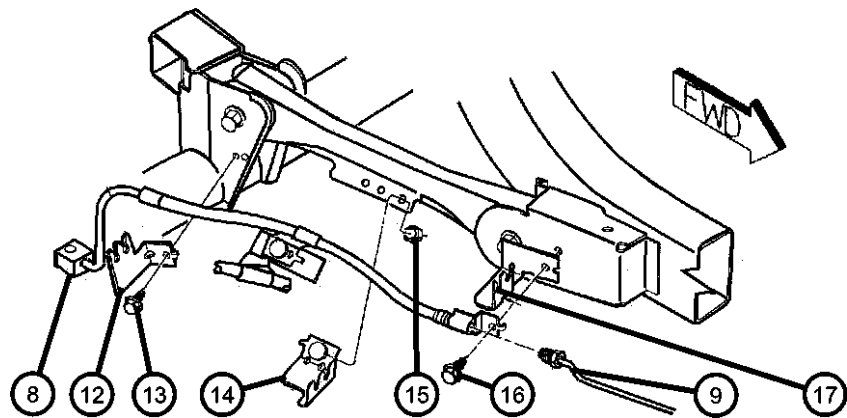
TRANSMISSION
DDD = TRANSMISSION - 5-SPEED HD MANUAL
DDQ = TRANSMISSION - 5-SPEED MANUAL
DGD = TRANSMISSION - 3-SPD. AUTOMATIC,30RH
DGG = TRANSMISSION - 3-SPD. AUTOMATIC,32RH
DG0 = All Automatic Transmissions
DBB = All Manual Transmissions
DD0 = All 5 Speed Manual Transmissions

AR = use ase required - = Non illustrated part

Brake Lines and Hoses,Rear,LHD,With ABS
Figure 5-560



ITEM	PART NUMBER	QTY	LINE	SERIES	BODY	ENGINE	TRANS	TRIM	DESCRIPTION
1	56027728	1	J						SENSOR, Anti-Lock BrakesRight
2	52008402	1							TUBE, BrakeRight
3	34201912	2							SCREW, Self Tapping, M6x1x14, Brake Line Shield, Mounting
4	52128189	1							SHIELD, Brake Line
5	04137696	1							SCREW, Brake Tee, .437-20x2.07
6	52008403	1							TUBE, BrakeLeft
7	56027729	1	J						SENSOR, Anti-Lock BrakesLeft
8	52008391	1							HOSE, BrakeRear
9	52008386	1	J						TUBE, Brake, HCU to Rear Brake Hose, Rear
10	34202371	2							CLIP, Quad TubesMounting
11	52007995	3							CLIP, Five Way FastenerMounting



WRANGLER (TJ)

SERIES

H = Sport
 L = SE
 P = Sahara

LINE

J = Wrangler 4WD
 U = Wrangler 4WD (RHD)

BODY

77 = 93.4 WB

ENGINE

EPE = ENGINE - 2.5L POWER TECH I-4 Cyl.
 ERH = ENGINE - 4.0L POWER TECH I-6

TRANSMISSION

DDD = TRANSMISSION - 5-SPEED HD MANUAL
 DDQ = TRANSMISSION - 5-SPEED MANUAL
 DGD = TRANSMISSION - 3-SPD. AUTOMATIC,30RH
 DGG = TRANSMISSION - 3-SPD. AUTOMATIC,32RH
 DG0 = All Automatic Transmissions
 DBB = All Manual Transmissions
 DD0 = All 5 Speed Manual Transmissions

AR = use ase required - = Non illustrated part

2000 TJ

**Rear Axle Brake Sensor Wiring Brackets and Fasteners
Figure 5-570**

ITEM	PART NUMBER	QTY	LINE	SERIES	BODY	ENGINE	TRANS	TRIM	DESCRIPTION
Note; Sales Codes: [BGK]=4-Wheel Anti-Lock Brakes									
1	52008391	1							HOSE, BrakeRear
2	56026757	1							BRACKET, ABS Sensor, To Left Rear Axle UCA Bracket, Mounting
3	34201912	4							SCREW, Self Tapping, M6x1x14, ABS Sensor Bracket, Mounting
4	52008920	1							BRACKET, ABS Sensor, To Left Rear UCA, Mounting
5	06502711	1							BOLT, Rear Brake Hose to Frame, Mounting
6	52008919	1							BRACKET, ABS Sensor, To Left Rear Frame Rail, Mounting
7	06101695	1							NUT, Hex Flange Lock, ABS Sensor Bracket to UCA, Mounting
8	06101695	1							NUT, Hex Flange Lock, Rear Brake Hose to UCA, Mounting
9									SENSOR, Anti-Lock Brakes
	56027728	1	J						Right
	56027729	1	J						Left

WRANGLER (TJ)

SERIES

H = Sport
L = SE
P = Sahara

LINE

J = Wrangler 4WD
U = Wrangler 4WD (RHD)

BODY

77 = 93.4 WB

ENGINE

EPE = ENGINE - 2.5L POWER
TECH I-4 Cyl.
ERH = ENGINE - 4.0L
POWER TECH I-6

TRANSMISSION

DDD = TRANSMISSION - 5-SPEED
HD MANUAL
DDQ = TRANSMISSION - 5-SPEED
MANUAL
DGD = TRANSMISSION - 3-SPD.
AUTOMATIC,30RH
DGG = TRANSMISSION - 3-SPD.
AUTOMATIC,32RH
DG0 = All Automatic Transmissions
DBB = All Manual Transmissions
DD0 = All 5 Speed Manual
Transmissions

**Front Axle Brake Sensor Wiring Brackets and Fasteners
Figure 5-580**

ITEM	PART NUMBER	QTY	LINE	SERIES	BODY	ENGINE	TRANS	TRIM	DESCRIPTION
1	56027727	2	J						SENSOR, Anti-Lock Brakes
2									BRACKET, Shock Absorber
	52008780	1							Sensor Wire Mounting, Outboard, Right
	52008781	1							Sensor Wire Mounting, Outboard, Left
3	34201912	4							SCREW, Self Tapping, M6x1x14, Inboard and Outboard Sensor Bracket, Mounting
4									BRACKET, Shock Absorber
	52008884	1							Sensor Wire Mounting, Inboard, Right
	52008885	1							Sensor Wire Mounting, Inboard, Left
5	52128162	4							RETAINER, Push On, Sensor Wire Wrap Around, Right or Left
6	52128162	4							CLIP, Sensor, (NOT SERVICED)
7	06503254	2							SCREW, Hex Head, Sensor Wire Clip to Frame, Mounting
8									STRAP, Tie
	04641780	2							Sensor Wiring to Convolute Tubing, Right
		1							Sensor Wiring to Convolute Tubing, Left

WRANGLER (TJ)

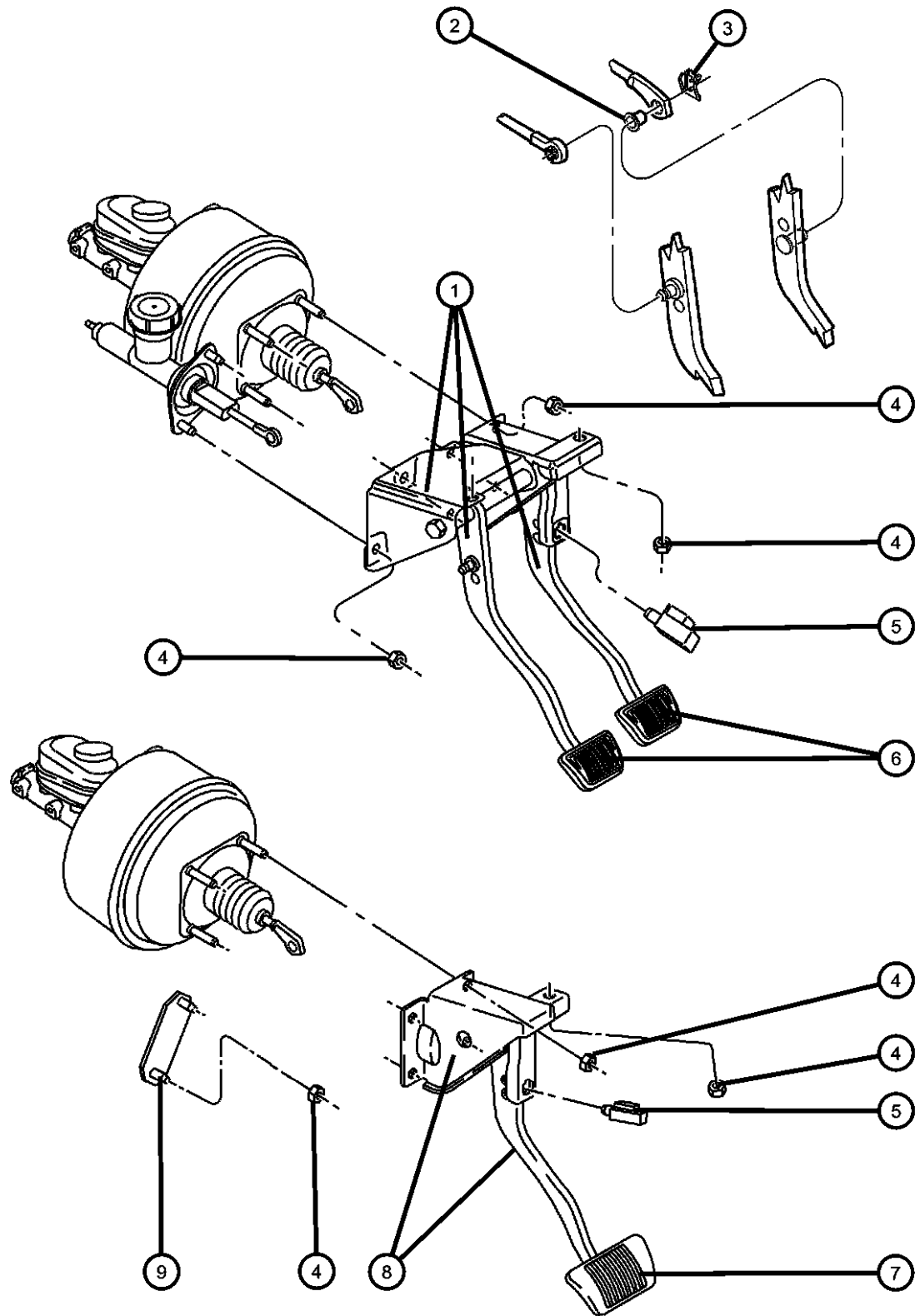
SERIES	LINE
H = Sport	J = Wrangler 4WD
L = SE	U = Wrangler 4WD (RHD)
P = Sahara	

BODY
77 = 93.4 WB

ENGINE
EPE = ENGINE - 2.5L POWER TECH I-4 Cyl.
ERH = ENGINE - 4.0L POWER TECH I-6

TRANSMISSION
DDD = TRANSMISSION - 5-SPEED HD MANUAL
DDQ = TRANSMISSION - 5-SPEED MANUAL
DGD = TRANSMISSION - 3-SPD. AUTOMATIC,30RH
DGG = TRANSMISSION - 3-SPD. AUTOMATIC,32RH
DG0 = All Automatic Transmissions
DBB = All Manual Transmissions
DD0 = All 5 Speed Manual Transmissions

Brake Pedal,LHD
Figure 5-610



ITEM	PART NUMBER	QTY	LINE	SERIES	BODY	ENGINE	TRANS	TRIM	DESCRIPTION
------	-------------	-----	------	--------	------	--------	-------	------	-------------

Note: DBB= All Manual Transmissions—DG0=All Automatic Transmissions

1	52128017AB	1	J						PEDAL, Brake And Clutch, [DBB]
2	04446361	1							BUSHING, Hydraulic Clutch Actuator
3	06035334	1							CLIP, Brake Push Rod
4	J4003909	2							NUT, Hex Flange With Serration
		1							Clutch Master Cylinder/Clutch Hole Cover, Mounting
		1							[DG0] Brake Pedal Support Bracket, Mounting
		2							[DBB] Brake Pedal Support Bracket, Mounting
		4							Booster to Dash, Mounting
5	04671336	1							SWITCH, Stop Lamp
6	52002750	2	J						PAD, Pedal, [DBB]
7	04779027	1	J						PAD, Pedal, [DG0]
8	52129008AE	1	J						PEDAL, Brake, [DG0]
9	52104013	1							COVER, Master Cylinder, Clutch-Used With [DG0]

WRANGLER (TJ)

SERIES	LINE
H = Sport	J = Wrangler 4WD
L = SE	U = Wrangler 4WD (RHD)
P = Sahara	

BODY
77 = 93.4 WB

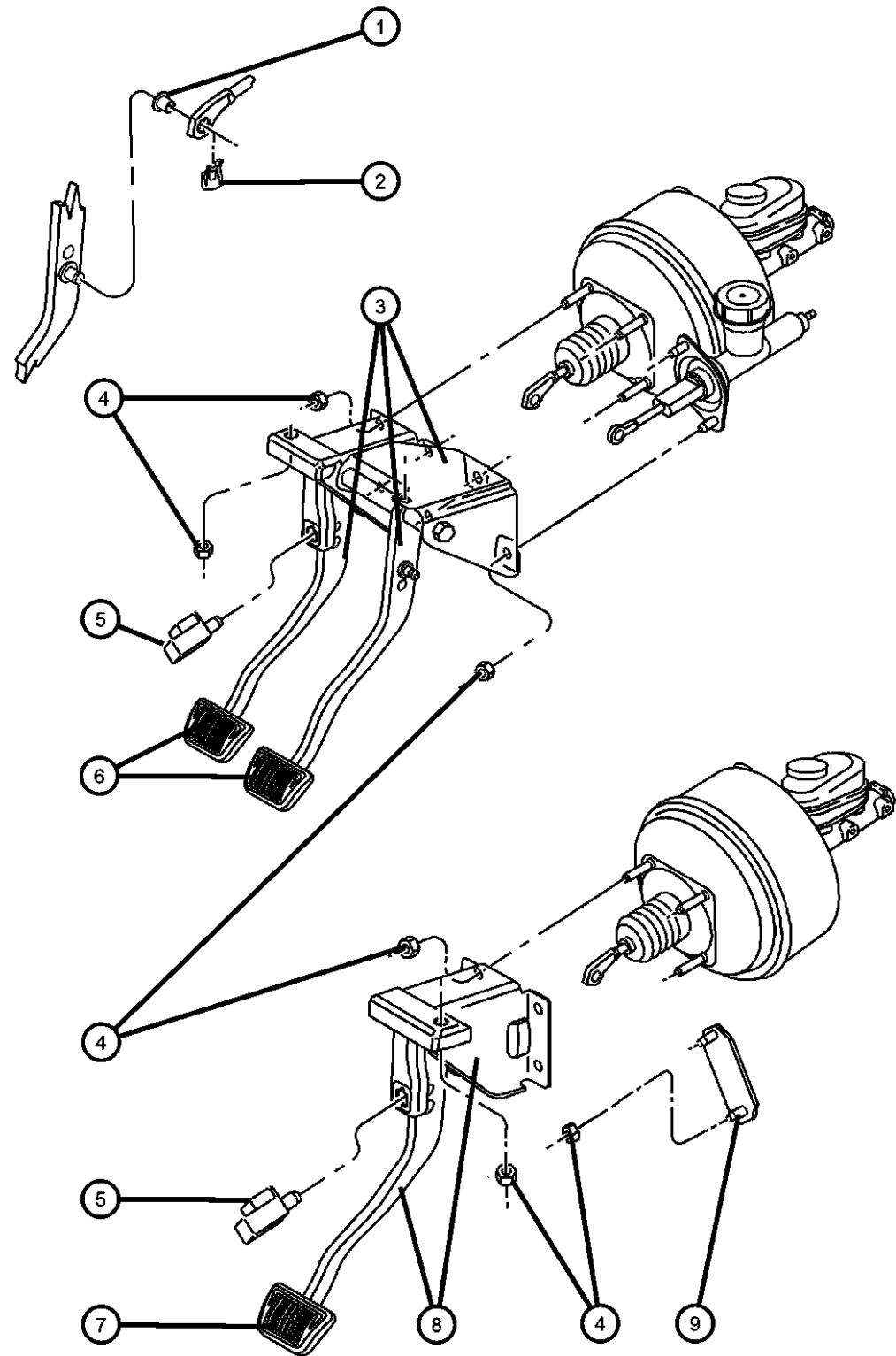
ENGINE
EPE = ENGINE - 2.5L POWER TECH I-4 Cyl.
ERH = ENGINE - 4.0L POWER TECH I-6

TRANSMISSION
DDD = TRANSMISSION - 5-SPEED HD MANUAL
DDQ = TRANSMISSION - 5-SPEED MANUAL
DGD = TRANSMISSION - 3-SPD. AUTOMATIC,30RH
DGG = TRANSMISSION - 3-SPD. AUTOMATIC,32RH
DG0 = All Automatic Transmissions
DBB = All Manual Transmissions
DD0 = All 5 Speed Manual Transmissions

AR = use ase required - = Non illustrated part

2000 TJ

Brake Pedal,RHD
Figure 5-620



ITEM	PART NUMBER	QTY	LINE	SERIES	BODY	ENGINE	TRANS	TRIM	DESCRIPTION
1	04446361	1							BUSHING, Hydraulic Clutch ActuatorMounting
2	06035334	1							CLIP, Brake Push RodMounting
3	52128052AB	1	U						PEDAL, Brake And Clutch, [DBB]
4	J4003909	2							NUT, Hex Flange With Serration
		1							Clutch Master Cylinder/Clutch Hole Cover, Mounting
		1							[DG0] Brake Pedal Support Bracket, Mounting
		2							[DBB] Brake Pedal Support Bracket, Mounting
		4							Booster to Dash, Mounting
5	04671336	1							SWITCH, Stop Lamp
6	52002750	2	U						PAD, Pedal, [DBB]
7	04779027	1	U						PAD, Pedal, [DG0]
8	52129038AD	1	U						PEDAL, Brake, [DG0]
9	52104013	1							COVER, Master Cylinder, Clutch-Used With [DG0]

WRANGLER (TJ)

SERIES
H = Sport
L = SE
P = Sahara

LINE
J = Wrangler 4WD
U = Wrangler 4WD (RHD)

BODY
77 = 93.4 WB

ENGINE
EPE = ENGINE - 2.5L POWER TECH I-4 Cyl.
ERH = ENGINE - 4.0L POWER TECH I-6

TRANSMISSION
DDD = TRANSMISSION - 5-SPEED HD MANUAL
DDQ = TRANSMISSION - 5-SPEED MANUAL
DGD = TRANSMISSION - 3-SPD. AUTOMATIC,30RH
DGG = TRANSMISSION - 3-SPD. AUTOMATIC,32RH
DG0 = All Automatic Transmissions
DBB = All Manual Transmissions
DD0 = All 5 Speed Manual Transmissions

AR = use ase required - = Non illustrated part

2000 TJ

Group - 6

Clutch

Group - 6 Clutch

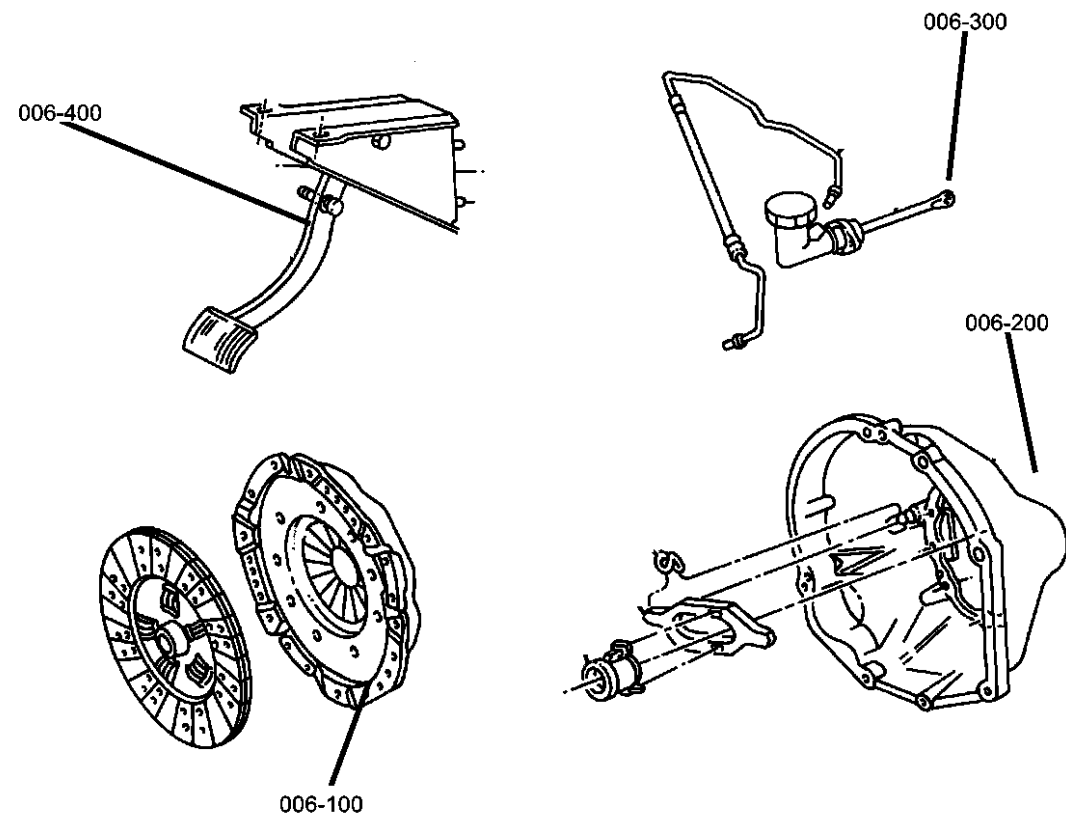


Illustration Title

Group-Fig. No.

Clutch

CLUTCH Fig. 6 - 110

Clutch Housing

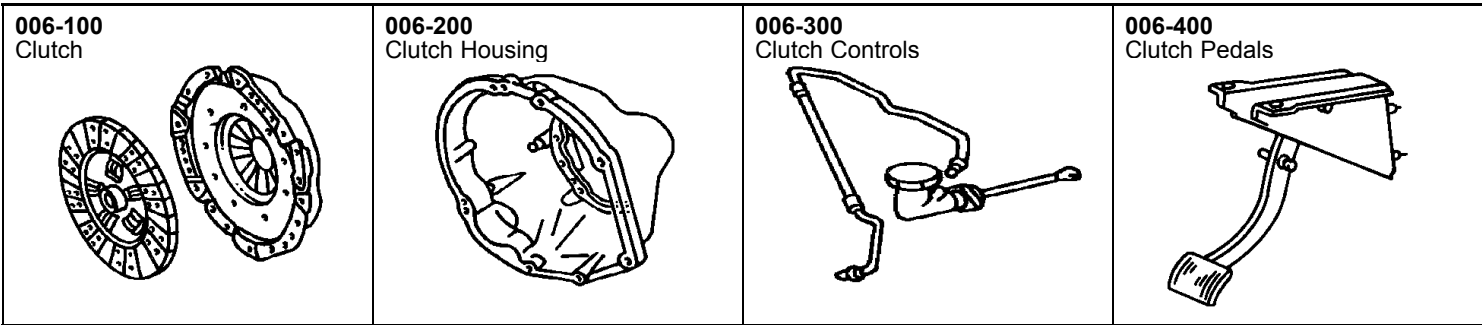
Housing and Pan, Clutch Fig. 6 - 210

Clutch Controls

Control, Clutch..... Fig. 6 - 310

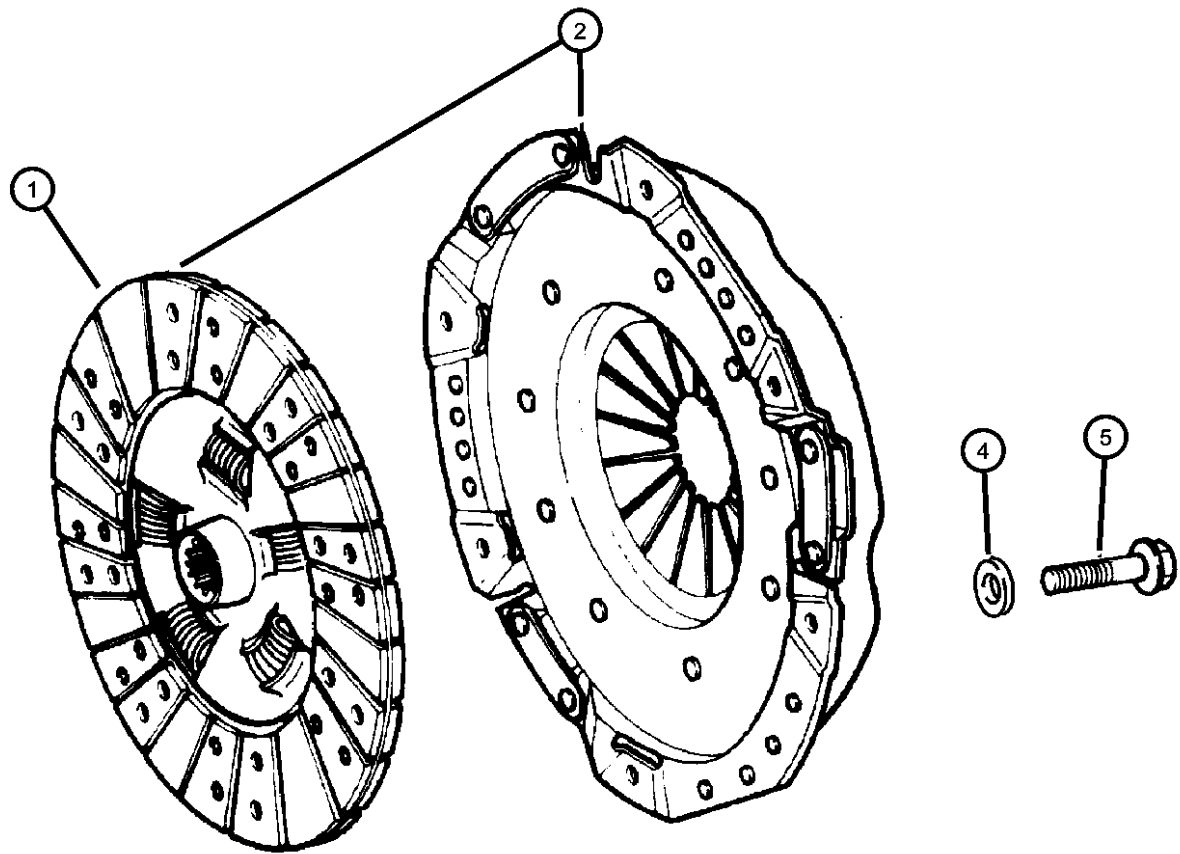
Clutch Pedals

Pedal, Clutch Fig. 6 - 410



CLUTCH
Figure 6-110

ITEM	PART NUMBER	QTY	LINE	SERIES	BODY	ENGINE	TRANS	TRIM	DESCRIPTION
EPE = 2.5L SMPI MAGNUM 4 Cyl Engine ERH = 4.0L Power Tech Engine DDQ = Manual Transmission 5 Speed DBB = All Manual Transmissions									
1									DISC, Clutch
	52104363AA	1				ER0	DDD		
	52107571	1				EP0	DBB		
2	52107570	1				EP0	DBB		CLUTCH KIT, Manual Transmission
-3	05015606AA	1				ER0	DDD		CLUTCH PACKAGE
4	11500221	6				EP0	DBB		WASHER, Flat
5	34201373	6				EP0	DBB		BOLT, Hex Head, M8x1.25x22
-6	06035626	6				ER0	DBB		BOLT, Hex Head, .375-16x.84



WRANGLER (TJ)

SERIES LINE
 H = Sport J = Wrangler 4WD
 L = SE U = Wrangler 4WD (RHD)
 P = Sahara

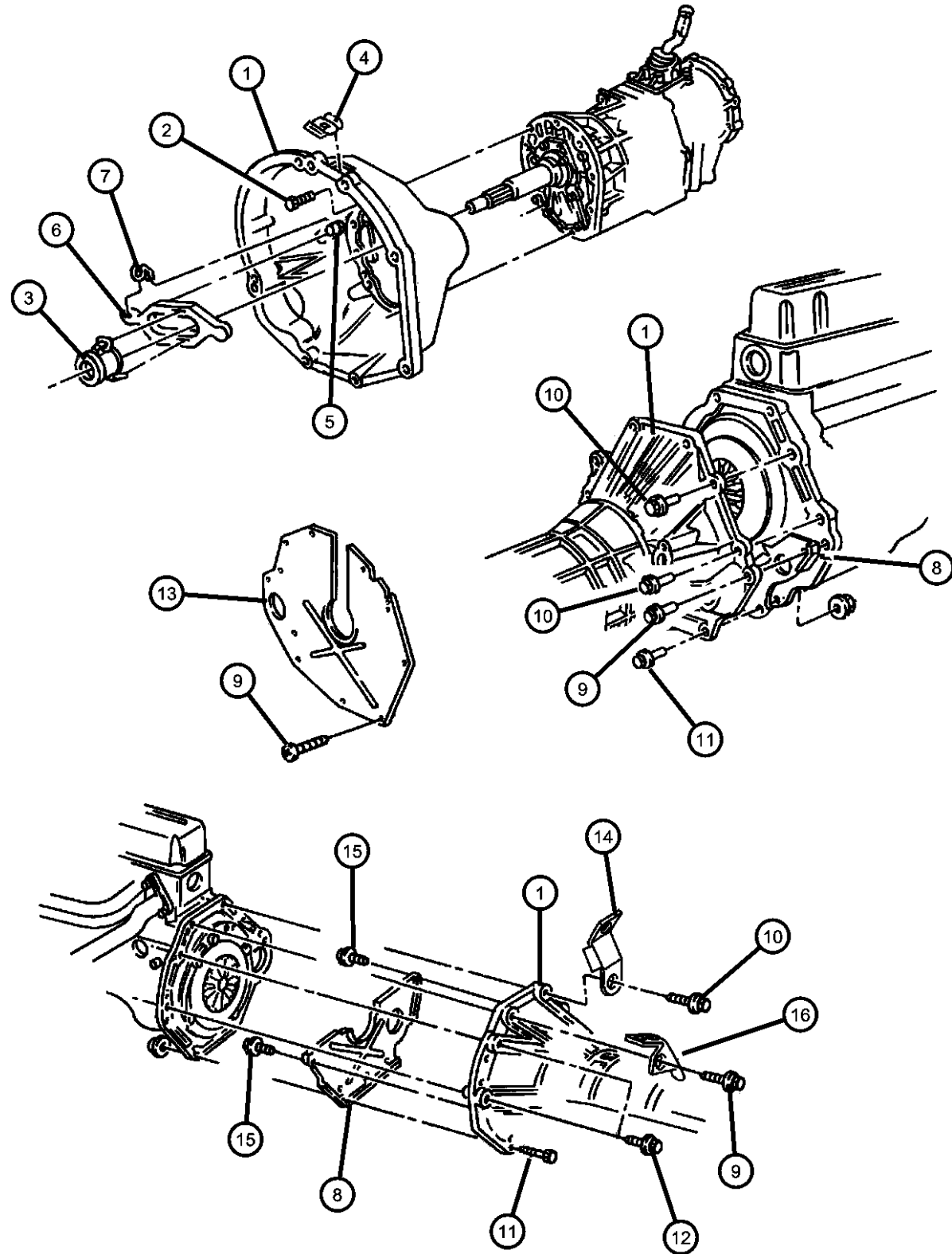
BODY
 77 = 93.4 WB

ENGINE
 EPE = ENGINE - 2.5L POWER
 TECH I-4 Cyl.
 ERH = ENGINE - 4.0L
 POWER TECH I-6

TRANSMISSION
 DDD = TRANSMISSION - 5-SPEED
 HD MANUAL
 DDQ = TRANSMISSION - 5-SPEED
 MANUAL
 DGD = TRANSMISSION - 3-SPD.
 AUTOMATIC,30RH
 DGG = TRANSMISSION - 3-SPD.
 AUTOMATIC,32RH
 DG0 = All Automatic Transmissions
 DBB = All Manual Transmissions
 DD0 = All 5 Speed Manual
 Transmissions

AR = use ase required - = Non illustrated part

Housing and Pan, Clutch
Figure 6-210



ITEM	PART NUMBER	QTY	LINE	SERIES	BODY	ENGINE	TRANS	TRIM	DESCRIPTION
------	-------------	-----	------	--------	------	--------	-------	------	-------------

EPE = 2.5L SMPI MAGNUM 4 Cyl Engine
ERH = 4.0L Power Tech Engine
DBB = All Manual Transmissions
DDQ = Manual Transmission 5 Speed

1									HOUSING, Clutch
	52104000	1				EP0	DBB		
	52107552	1				ER0	DBB		
2	34202606	2				EP0, ER0			BOLT, Hex Head
3	53008342	1					DBB		BEARING, Clutch Release
4	53006010	1				EP0, ER0	DBB		GROMMET, Timing Probe
5									PIVOT, Clutch Release
	52087542	1				ER0	DBB		
		1				EP0	DBB		
6	52107555	1					DBB		FORK, Clutch Release
7	04338855	1					DBB		SPRING, Clutch Release
8	53003382	1				EP0	DBB		COVER, Transmission Case
9	11504922	2				EP0	DBB		BOLT, Hex Head, M12x1.75x50
10	06100345	2				EP0	DBB		SCREW AND WASHER, Hex Flange Head, M12x1.75x45
11	11505098	2				EP0	DBB		BOLT, Hex Flange Head, M12x1.75x60
12	34201837	2				EP0	DBB		BOLT, Hex Flange Head, M12x1.75x90
13	53004473AB	1				ER0	DBB		SPACER, Clutch Housing
14	52098522	1				EP0, ER0			BRACKET, Tube
15									BOLT, Hex Flange Head, M8x2.12x16
	11500986	2				EP0	DBB		
		3				ER0	DBB		
16	56019959	1				EP0			CLIP, Wiring

WRANGLER (TJ)

SERIES LINE BODY
H = Sport J = Wrangler 4WD 77 = 93.4 WB
L = SE U = Wrangler 4WD (RHD)
P = Sahara

BODY
77 = 93.4 WB

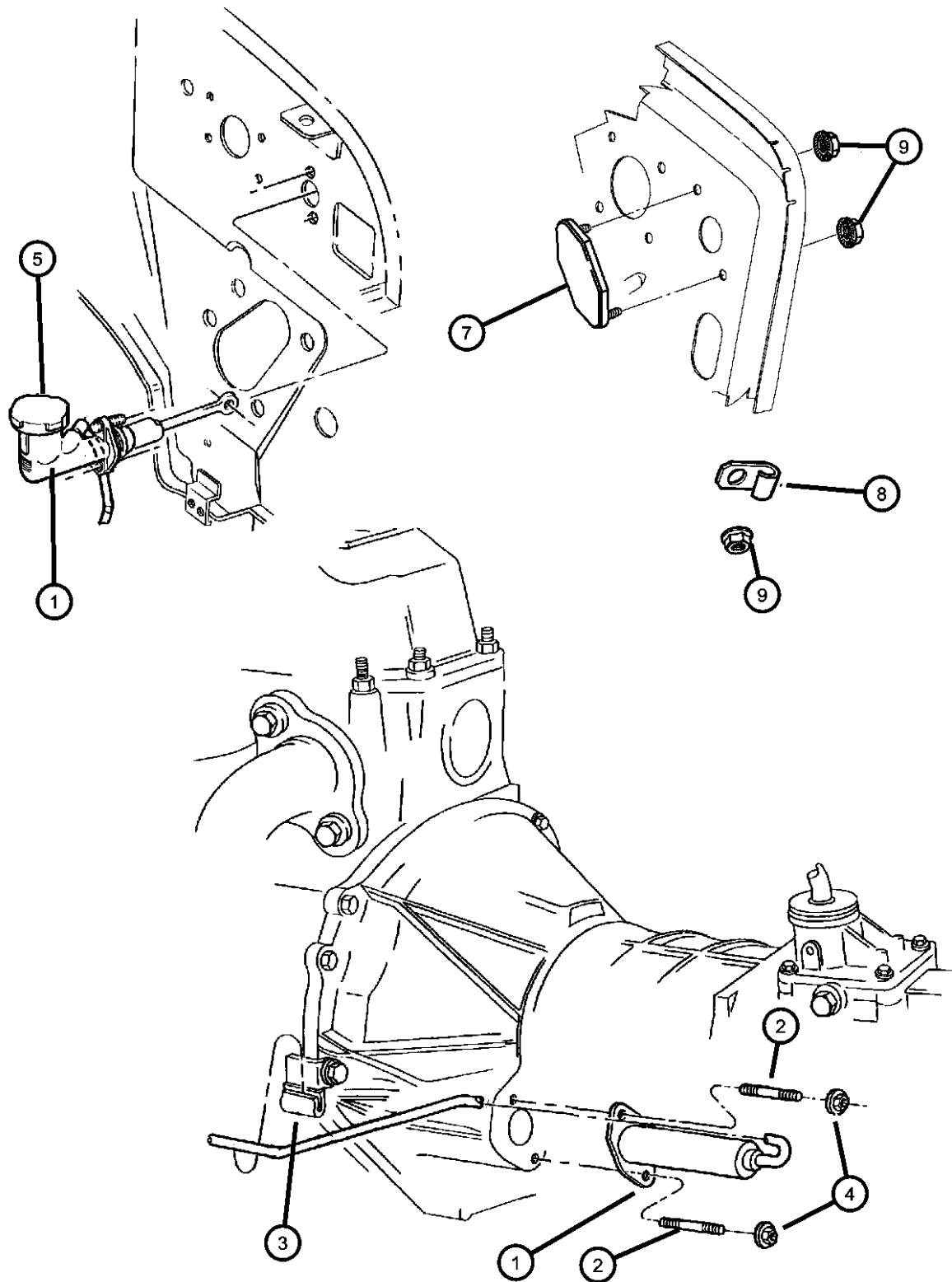
ENGINE
EPE = ENGINE - 2.5L POWER
TECH I-4 Cyl.
ERH = ENGINE - 4.0L
POWER TECH I-6

TRANSMISSION
DDD = TRANSMISSION - 5-SPEED
HD MANUAL
DDQ = TRANSMISSION - 5-SPEED
MANUAL
DGD = TRANSMISSION - 3-SPD.
AUTOMATIC,30RH
DGG = TRANSMISSION - 3-SPD.
AUTOMATIC,32RH
DG0 = All Automatic Transmissions
DBB = All Manual Transmissions
DD0 = All 5 Speed Manual
Transmissions

AR = use ase required - = Non illustrated part

2000 TJ

Control, Clutch
Figure 6-310



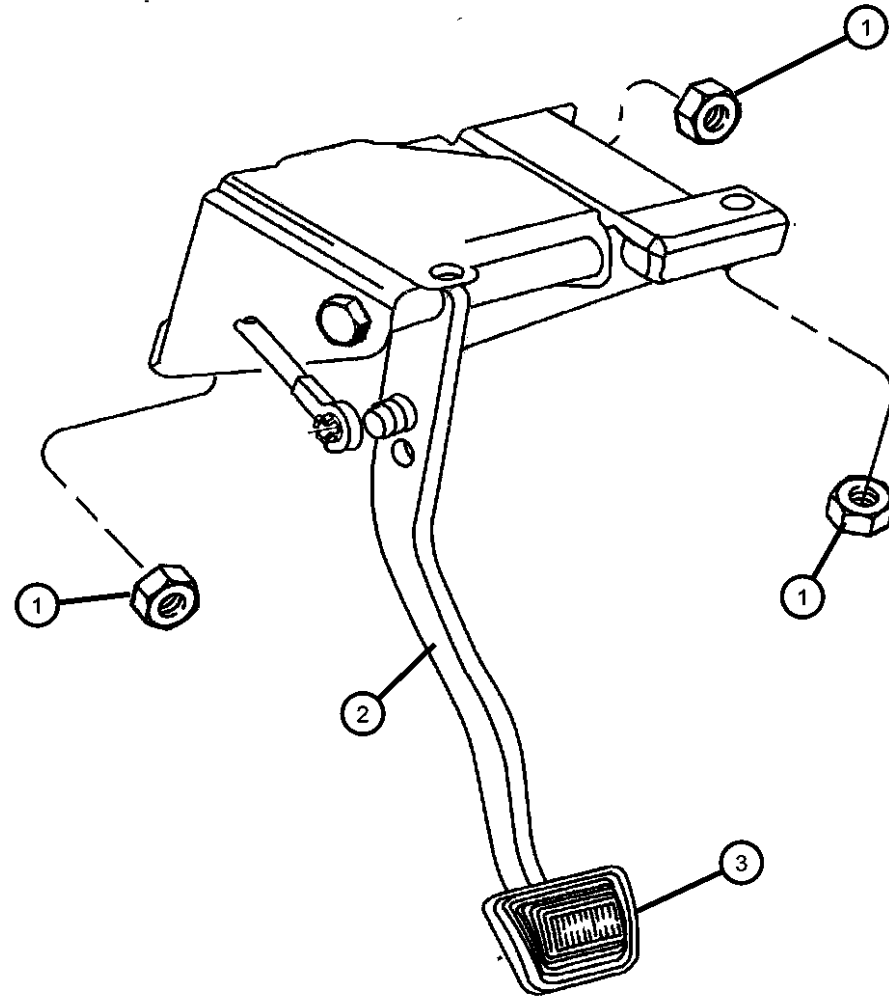
ITEM	PART NUMBER	QTY	LINE	SERIES	BODY	ENGINE	TRANS	TRIM	DESCRIPTION
DBB = All Manual Transmissions DDQ = Manual Transmission 5 Speed DGO = All Automatic Transmissions									
1									HYDRAULIC CONTROL, Clutch Actuator
	52107652AC	1	J				DBB		
	52107653AC	1	U				DBB		
2	06032878	2					DBB		STUD, .312-18x2.00
3	52107595AB	1					DBB		BRACKET, Clutch Tube
4	00152472	2					DBB		NUT, Hex Flange Lock, .312-18
5									CAP, Clutch Reservoir
	04883544AA	1	J				DBB		
		1	U				DBB		
-6									DIAPHRAGM, Clutch Reservoir
	05015607AA	1	J				DBB		
		1	U				DBB		
7	52104013	1					DGO		COVER, Master Cylinder
8	00120522	3	U				DBB		CLIP, Wrap Around
9	J4003909	2					DBB		NUT, Hex Flange With Serration

WRANGLER (TJ)				
SERIES	LINE	BODY	ENGINE	TRANSMISSION
H = Sport	J = Wrangler 4WD	77 = 93.4 WB	EPE = ENGINE - 2.5L POWER TECH I-4 Cyl.	DDD = TRANSMISSION - 5-SPEED HD MANUAL
L = SE	U = Wrangler 4WD (RHD)		ERH = ENGINE - 4.0L POWER TECH I-6	DDQ = TRANSMISSION - 5-SPEED MANUAL
P = Sahara				DGD = TRANSMISSION - 3-SPD. AUTOMATIC,30RH
				DGG = TRANSMISSION - 3-SPD. AUTOMATIC,32RH
				DGO = All Automatic Transmissions
				DBB = All Manual Transmissions
				DDO = All 5 Speed Manual Transmissions

AR = use ase required - = Non illustrated part

**Pedal, Clutch
Figure 6-410**

ITEM	PART NUMBER	QTY	LINE	SERIES	BODY	ENGINE	TRANS	TRIM	DESCRIPTION
DBB = All Manual Transmissions DDQ = Manual Transmission 5 Speed									
1	J4003909	4							NUT, Hex Flange With Serration
2									PEDAL, Brake
	52128017AB	1	J				DBB		
	52128052AB	1	U				DBB		
3									PAD, Pedal
	52002750	1	J				DBB		
		1	U				DBB		



WRANGLER (TJ)

SERIES LINE
H = Sport J = Wrangler 4WD
L = SE U = Wrangler 4WD (RHD)
P = Sahara

BODY
77 = 93.4 WB

ENGINE
EPE = ENGINE - 2.5L POWER
TECH I-4 Cyl.
ERH = ENGINE - 4.0L
POWER TECH I-6

TRANSMISSION
DDD = TRANSMISSION - 5-SPEED
HD MANUAL
DDQ = TRANSMISSION - 5-SPEED
MANUAL
DGD = TRANSMISSION - 3-SPD.
AUTOMATIC,30RH
DGG = TRANSMISSION - 3-SPD.
AUTOMATIC,32RH
DGO = All Automatic Transmissions
DBB = All Manual Transmissions
DDO = All 5 Speed Manual
Transmissions

AR = use ase required - = Non illustrated part

2000 TJ

Group - 7

Cooling

Group - 7 Cooling

Group-Fig. No.

Illustration Title

Radiator and Related Parts

Radiator And Related Parts Fig. 7 - 110

Water Pump and Related Parts

Water Pump Fig. 7 - 205

Tank, Coolant Engine

Tank, Coolant Recovery Fig. 7 - 302

Pulleys and Related Parts

Drive Pulleys..... Fig. 7 - 405

Drive Belts

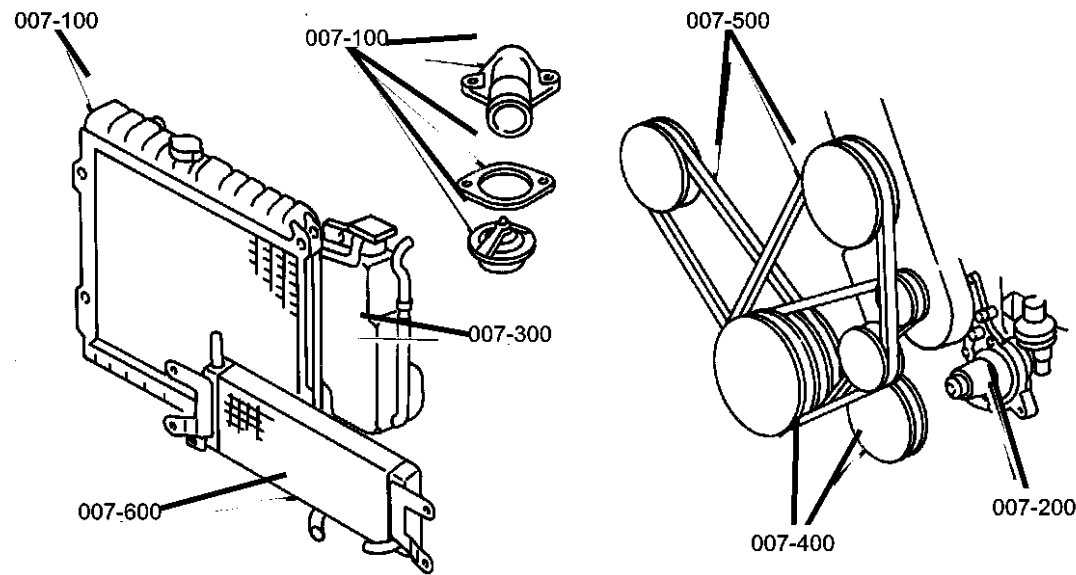
Drive Belts Fig. 7 - 505

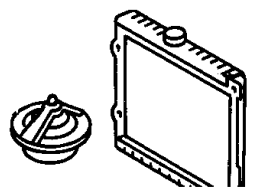
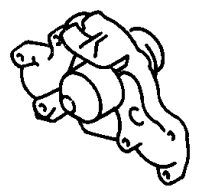
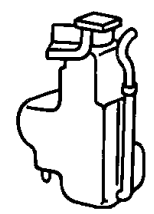
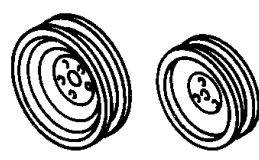
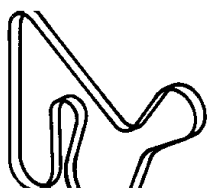
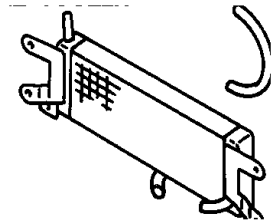
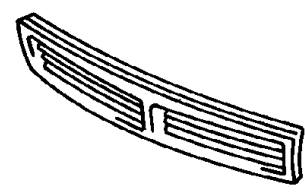
Lines, Transmission Oil Cooler

Oil Cooler Lines Fig. 7 - 605

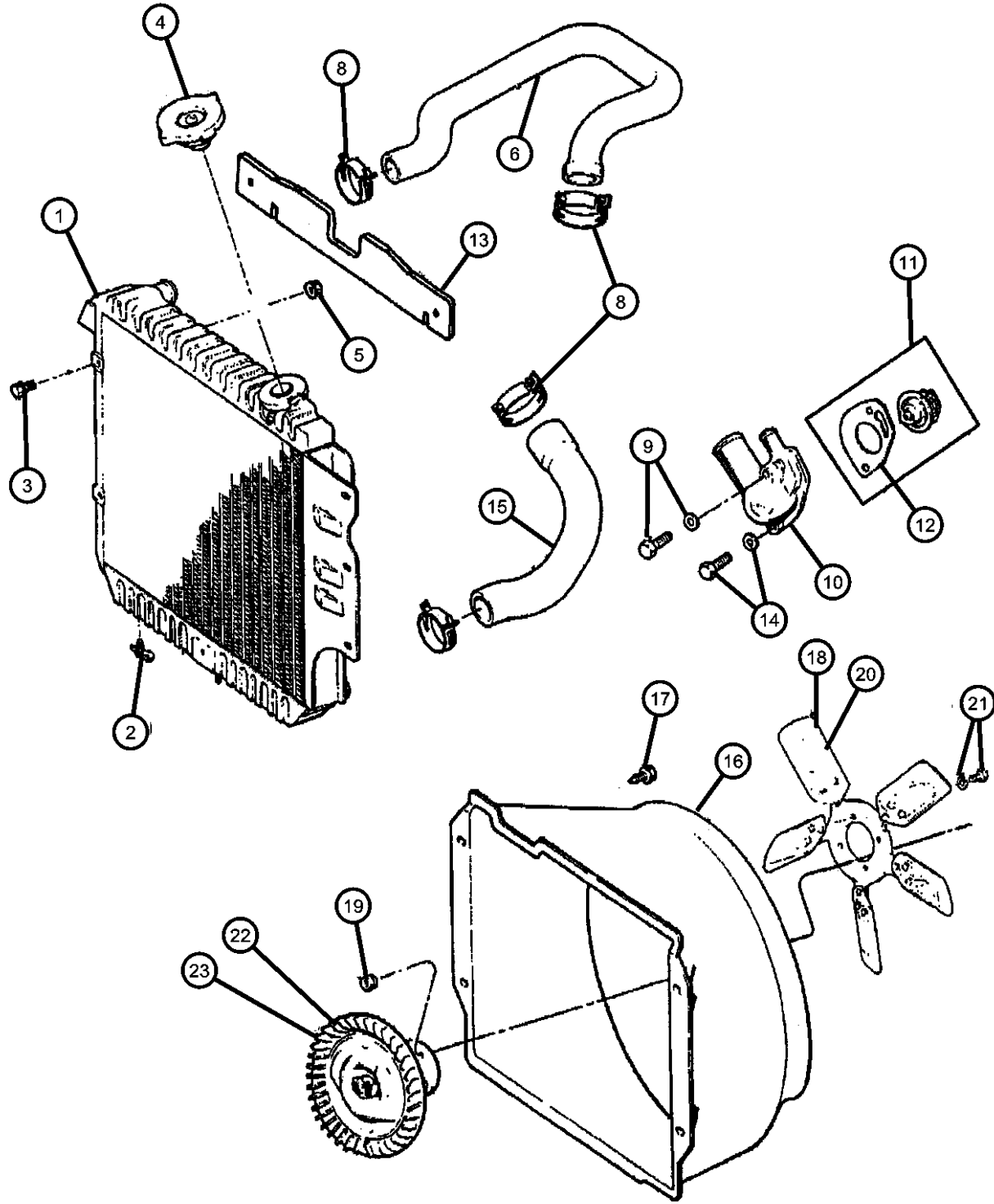
Grilles

Grille And Related Parts Fig. 7 - 705



<p>007-100 Radiator and Related Parts</p> 	<p>007-200 Water Pump and Related Parts</p> 	<p>007-300 Tank, Coolant Engine</p> 	<p>007-400 Pulleys and Related Parts</p> 
<p>007-500 Drive Belts</p> 	<p>007-600 Lines, Transmission Oil Cooler</p> 	<p>007-700 Grilles</p> 	

Radiator And Related Parts
Figure 7-110



ITEM	PART NUMBER	QTY	LINE	SERIES	BODY	ENGINE	TRANS	TRIM	DESCRIPTION
------	-------------	-----	------	--------	------	--------	-------	------	-------------

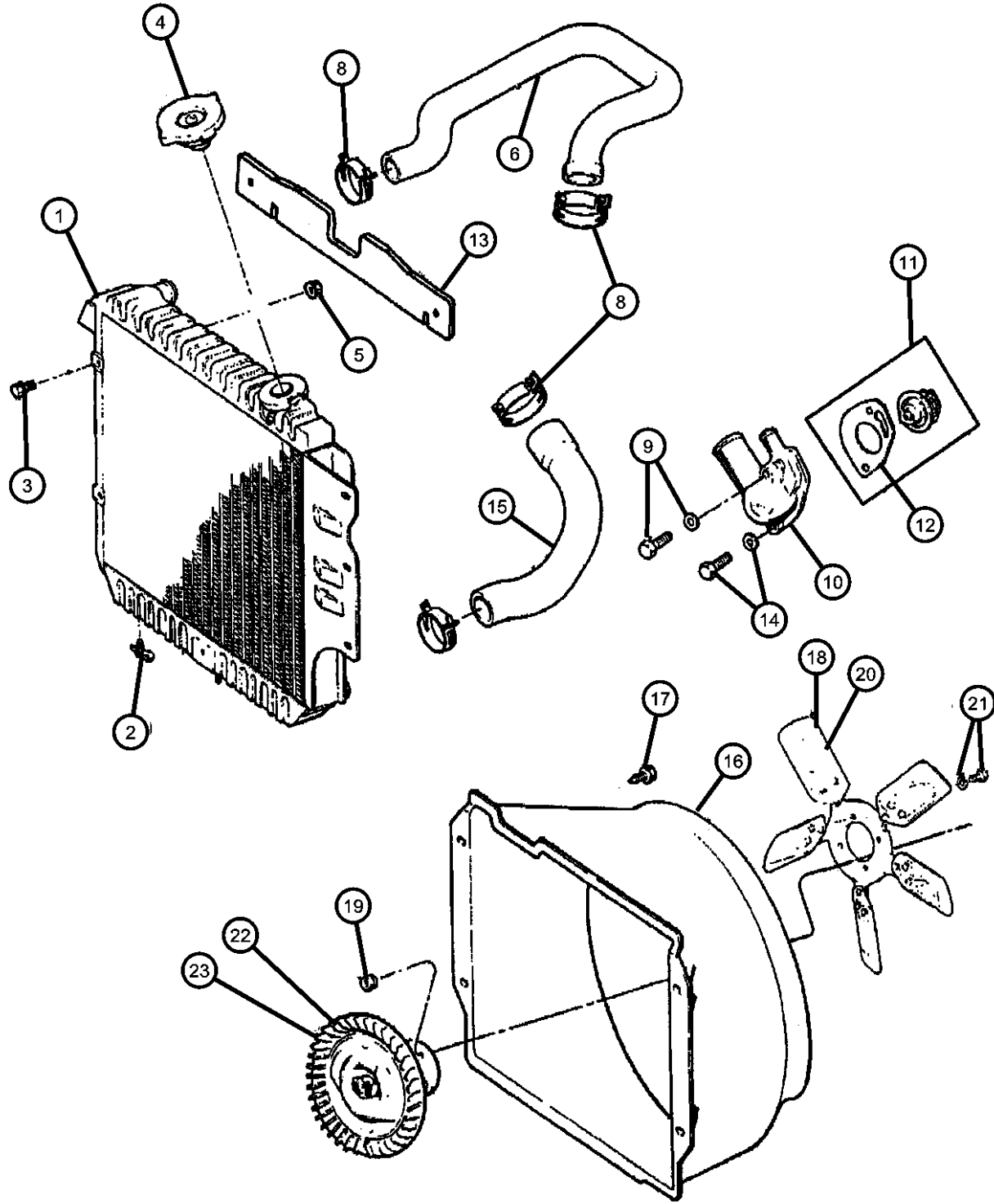
Note: Sales Code DBB = Manual Trans
 Note: Sales Code DG0 = All Auto Trans
 Note: Sales Code EP0 = 2.5L Gas Engine
 Note: Sales Code ER0 = 4.0L Gas Engine

1									RADIATOR, Engine Cooling
	52028123AB	1	J			EP0, ER0			
	52080180AB	1	J			EP0	DBB		
	52080181AB	1	J			EP0	DG0		
	52080183AC	1	J			ER0	DBB		
	52080184AC	1	J			ER0	DG0		
	52080186AC	1	U			EP0			
		1	U			ER0			
2		1							DRAINCOCK, Radiator, (NOT SERVICED)
3		1							SCREW, (NOT SERVICED)
4	52079799AA	1							CAP, Radiator
5	52079799AA	1							U-NUT, Multi-Thread Spring, 1/4-20, (NOT REQUIRED)
6									HOSE, Radiator Inlet
	52028144AB	1	U			ER0			
	52028264	1	J			ER0			
-7	52028266	1				EP0			HOSE, Thermostat Outlet
8	52005580	1							CLAMP, Hose to Radiator
9	06034356	1				EP0, ER0			SCREW AND WASHER, Hex Head, .312-18x2.38
10	53006192	1				EP0, ER0			HOUSING, Thermostat
11	52028186	1				EP0, ER0			THERMOSTAT, 195 Degrees
12	53020547AB	1				EP0, ER0			GASKET, Thermostat
13	55036369	1							SEAL, Condenser
14	06034927	1				EP0, ER0			SCREW AND WASHER, Hex Head, .312-18x.970
15									HOSE, Radiator To Pump
	52028141	1				EP0			

WRANGLER (TJ)				
SERIES	LINE	BODY	ENGINE	TRANSMISSION
H = Sport	J = Wrangler 4WD	77 = 93.4 WB	EPE = ENGINE - 2.5L POWER TECH I-4 Cyl.	DDD = TRANSMISSION - 5-SPEED HD MANUAL
L = SE	U = Wrangler 4WD (RHD)		ERH = ENGINE - 4.0L POWER TECH I-6	DDQ = TRANSMISSION - 5-SPEED MANUAL
P = Sahara				DGD = TRANSMISSION - 3-SPD. AUTOMATIC,30RH
				DGG = TRANSMISSION - 3-SPD. AUTOMATIC,32RH
				DG0 = All Automatic Transmissions
				DBB = All Manual Transmissions
				DD0 = All 5 Speed Manual Transmissions

AR = use ase required - = Non illustrated part

Radiator And Related Parts
Figure 7-110



ITEM	PART NUMBER	QTY	LINE	SERIES	BODY	ENGINE	TRANS	TRIM	DESCRIPTION
	52028143AB	1	U			ER0			
	52028265AB	1	J			ER0			
16	52027925AC	1	J			ER0			SHROUD, Fan
	52027926AB	1	J			EP0			
	52028127AC	1	U			ER0			
	52028128	1	U			EP0			
17	06035064	4				EP0, ER0			SCREW AND WASHER, Hex Head, .25-20x.875
18	52004266	1				EP0			FAN, Cooling
19	00154591	4				EP0			NUT AND WASHER, Hex, .312-18
20	52027893	1				ER0			FAN, Cooling
21	06034860	4				EP0, ER0			BOLT AND WASHER, Implement Attaching
22	52079787AA	1				ER0			VISCOUS CLUTCH, Fan Drive
23	52027890AB	1				EP0			DRIVE, Fan

WRANGLER (TJ)

SERIES	LINE	BODY	ENGINE	TRANSMISSION
H = Sport	J = Wrangler 4WD	77 = 93.4 WB	EPE = ENGINE - 2.5L POWER TECH I-4 Cyl.	DDD = TRANSMISSION - 5-SPEED HD MANUAL
L = SE	U = Wrangler 4WD (RHD)		ERH = ENGINE - 4.0L POWER TECH I-6	DDQ = TRANSMISSION - 5-SPEED MANUAL
P = Sahara				DGD = TRANSMISSION - 3-SPD. AUTOMATIC,30RH
				DGG = TRANSMISSION - 3-SPD. AUTOMATIC,32RH
				DG0 = All Automatic Transmissions
				DBB = All Manual Transmissions
				DD0 = All 5 Speed Manual Transmissions

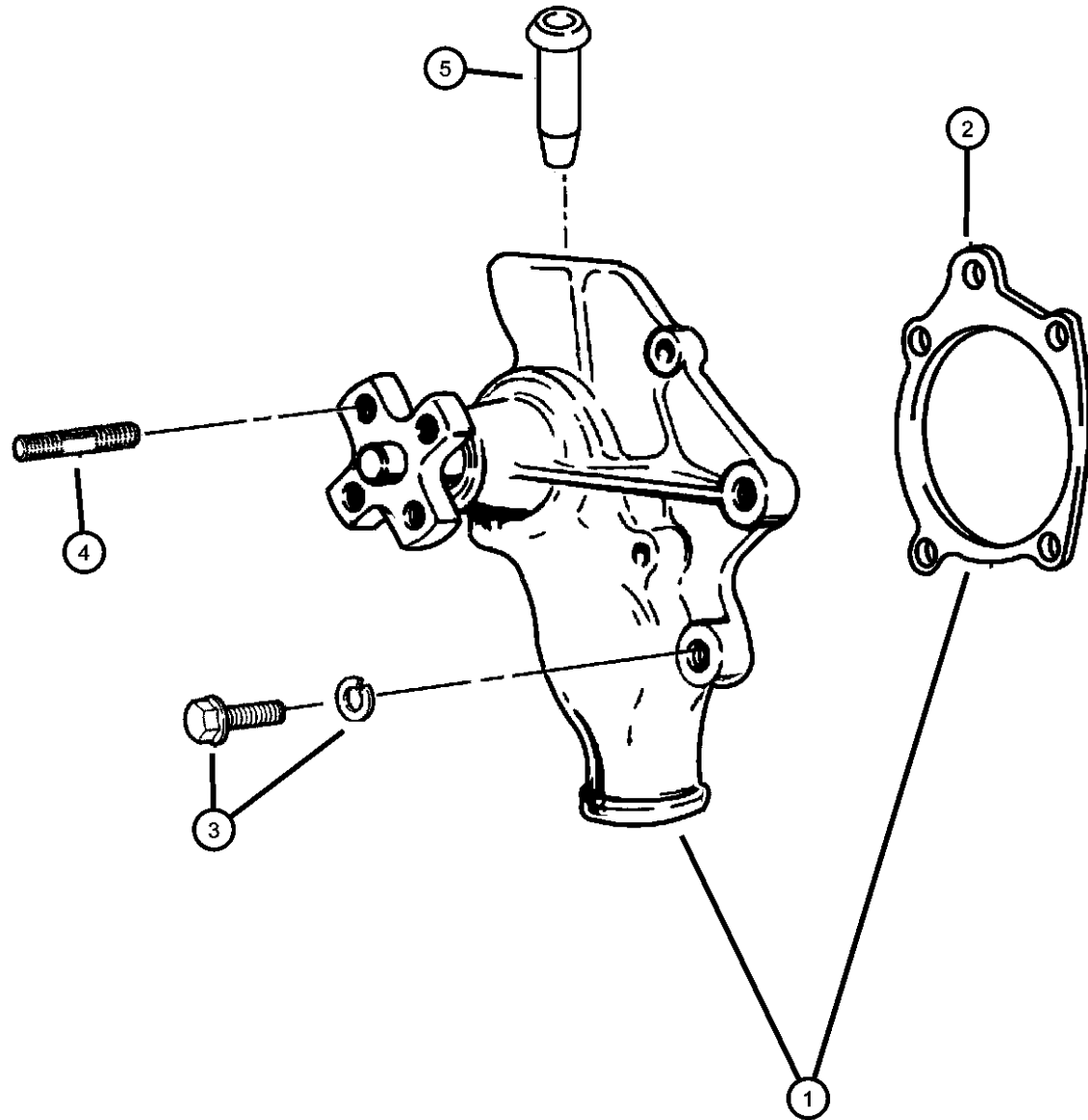
AR = use ase required - = Non illustrated part

**Water Pump
Figure 7-205**

ITEM	PART NUMBER	QTY	LINE	SERIES	BODY	ENGINE	TRANS	TRIM	DESCRIPTION
------	-------------	-----	------	--------	------	--------	-------	------	-------------

Note: Sales Code EP0 = 2.5L Gas Engine
Note: Sales Code ER0 = 4.0L Gas Engine

1									PUMP PACKAGE, Water
	04626054AD	1				EP0			
	05012366AA	1				ER0			
2	53010419	1				EP0, ER0			GASKET, Water Pump
3	J4004455	1							SCREW AND WASHER, Hex Head, .312-18x1.12
4	J4006714	4				EP0			STUD, .312-18/.312-24x1.250
5	53007978	1				EP0, ER0			TUBE, Water Pump Heater Return, Pump Heater Return



WRANGLER (TJ)

SERIES	LINE	BODY	ENGINE	TRANSMISSION
H = Sport	J = Wrangler 4WD	77 = 93.4 WB	EPE = ENGINE - 2.5L POWER TECH I-4 Cyl.	DDD = TRANSMISSION - 5-SPEED HD MANUAL
L = SE	U = Wrangler 4WD (RHD)		ERH = ENGINE - 4.0L POWER TECH I-6	DDQ = TRANSMISSION - 5-SPEED MANUAL
P = Sahara				DGD = TRANSMISSION - 3-SPD. AUTOMATIC,30RH
				DGG = TRANSMISSION - 3-SPD. AUTOMATIC,32RH
				DG0 = All Automatic Transmissions
				DBB = All Manual Transmissions
				DD0 = All 5 Speed Manual Transmissions

AR = use ase required - = Non illustrated part

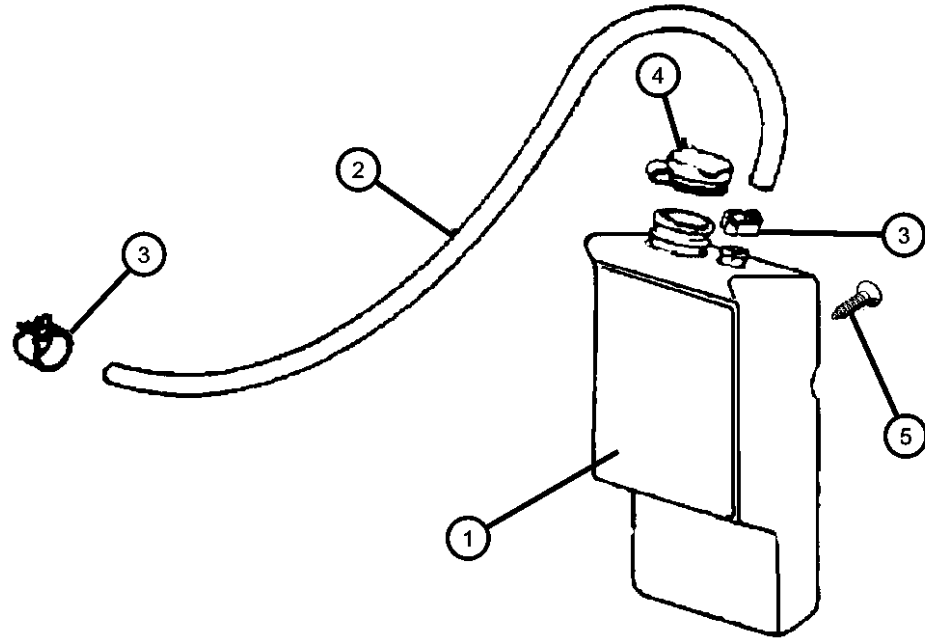
2000 TJ

**Tank, Coolant Recovery
Figure 7-302**

ITEM	PART NUMBER	QTY	LINE	SERIES	BODY	ENGINE	TRANS	TRIM	DESCRIPTION
------	-------------	-----	------	--------	------	--------	-------	------	-------------

Note: Sales Code EP0 = 2.5L Gas Engine
Note: Sales Code ER0 = 4.0L Gas Engine

1	52028068AB	1				EP0, ER0			BOTTLE, Coolant Recovery
2	52028068AB	1							HOSE, 5/8" I.D. 50 Foot Roll, (DNS), (NOT SERVICED)
3	52028068AB	1							CLAMP, (NOT SERVICED)
4	52079331	1				EP0, ER0			CAP, Coolant Reserve Tank
5	52079331	1							SCREW, (NOT SERVICED)



WRANGLER (TJ)

SERIES LINE
H = Sport J = Wrangler 4WD
L = SE U = Wrangler 4WD (RHD)
P = Sahara

BODY
77 = 93.4 WB

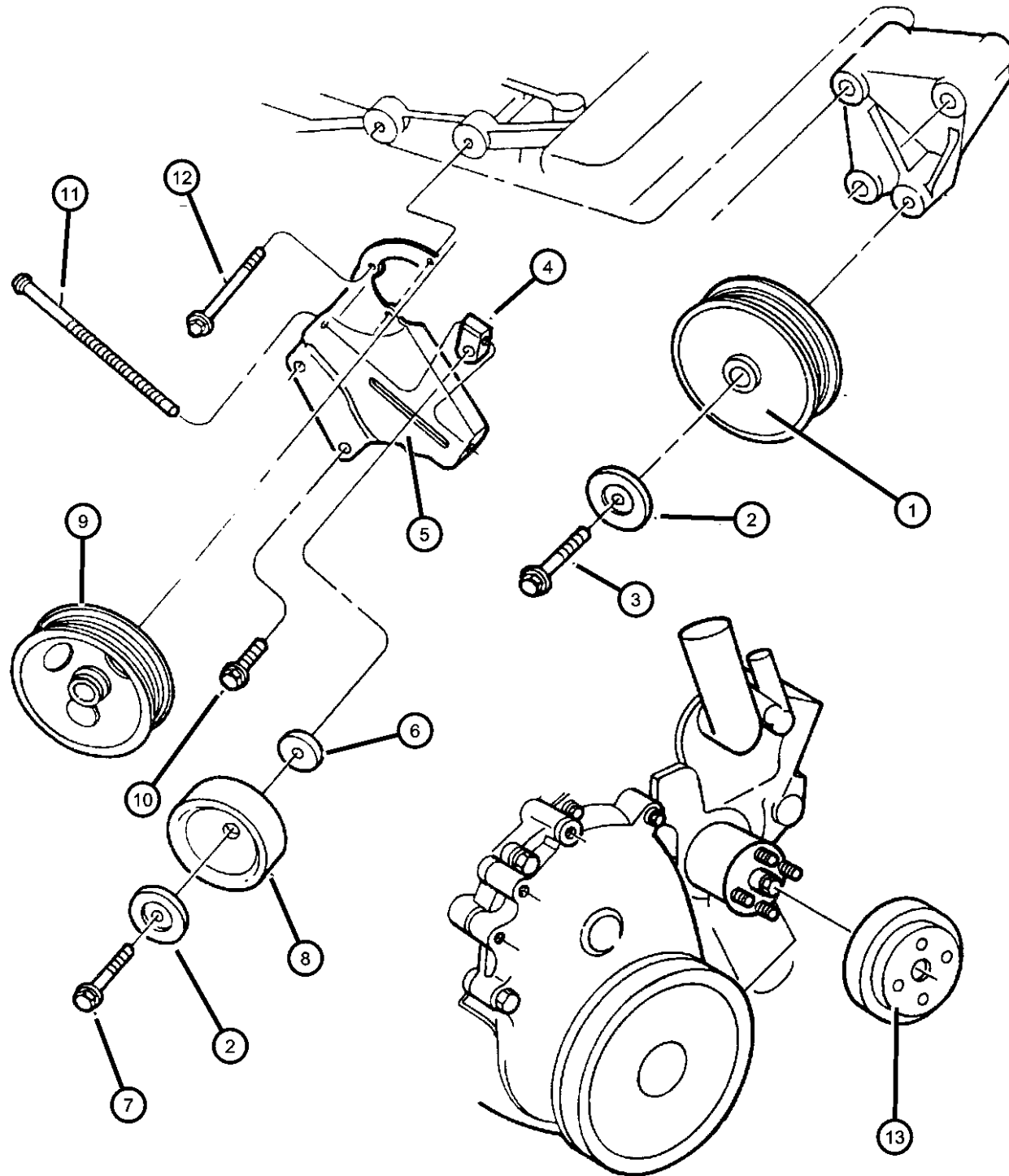
ENGINE
EPE = ENGINE - 2.5L POWER TECH I-4 Cyl.
ERH = ENGINE - 4.0L POWER TECH I-6

TRANSMISSION
DDD = TRANSMISSION - 5-SPEED HD MANUAL
DDQ = TRANSMISSION - 5-SPEED MANUAL
DGD = TRANSMISSION - 3-SPD. AUTOMATIC,30RH
DGG = TRANSMISSION - 3-SPD. AUTOMATIC,32RH
DG0 = All Automatic Transmissions
DBB = All Manual Transmissions
DD0 = All 5 Speed Manual Transmissions

AR = use ase required - = Non illustrated part

2000 TJ

Drive Pulleys
Figure 7-405



ITEM	PART NUMBER	QTY	LINE	SERIES	BODY	ENGINE	TRANS	TRIM	DESCRIPTION
------	-------------	-----	------	--------	------	--------	-------	------	-------------

Note: Sales Code EP0 = 2.5L Gas Engine
Note: Sales Code ER0 = 4.0L Gas Engine

1									PULLEY, Idler
	04792112	1				EP0			
	04854092	1				ER0			
2	33002201	1				EP0			BUSHING, Idler Pulley
3	06504239	1				EP0			SCREW AND WASHER, M10x1.5x40
4	53010149	1				EP0			COLLAR, Tensioner Adjustment
5	53010148	1				EP0			BRACKET, Tensioner
6	06503230	1				EP0			SPACER, Belt Tensioner
7	34202029	1				EP0			BOLT, Hex Flange Head, M10x1.50x50
8									PULLEY, Idler
	04792112	1				EP0			
	04854092	1				ER0			
9									PULLEY, Power Steering Pump
	53010258AB	1				EP0			
		1				ER0			
10		1							SCREW, (NOT SERVICED)
11	06503198	1				EP0			BOLT
12	06503198	1							SCREW, (NOT SERVICED)
13									PULLEY, Water Pump
	04854032	1				ER0			
	53007154	1				EP0			
-14	06034860	4				EP0, ER0			BOLT AND WASHER, Implement Attaching
-15	04854089	1				ER0			TENSIONER, Alternator Belt

WRANGLER (TJ)

SERIES LINE
H = Sport J = Wrangler 4WD
L = SE U = Wrangler 4WD (RHD)
P = Sahara

BODY
77 = 93.4 WB

ENGINE
EPE = ENGINE - 2.5L POWER TECH I-4 Cyl.
ERH = ENGINE - 4.0L POWER TECH I-6

TRANSMISSION
DDD = TRANSMISSION - 5-SPEED HD MANUAL
DDQ = TRANSMISSION - 5-SPEED MANUAL
DGD = TRANSMISSION - 3-SPD. AUTOMATIC,30RH
DGG = TRANSMISSION - 3-SPD. AUTOMATIC,32RH
DG0 = All Automatic Transmissions
DBB = All Manual Transmissions
DD0 = All 5 Speed Manual Transmissions

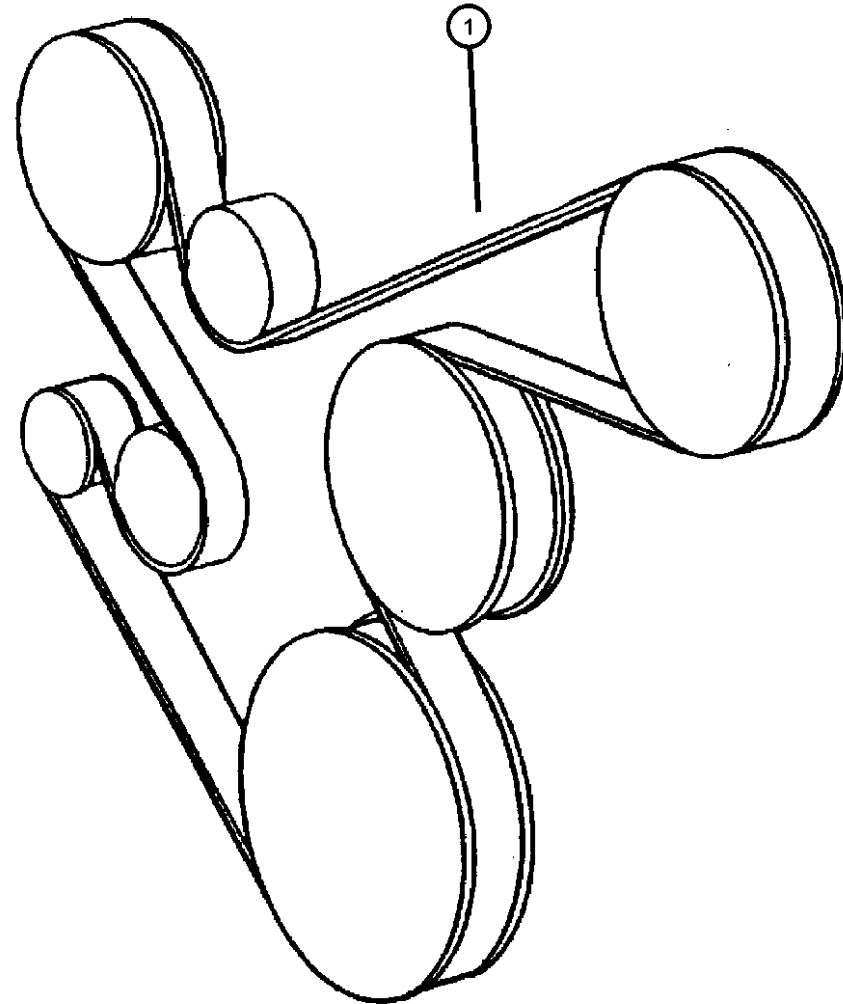
AR = use ase required - = Non illustrated part

2000 TJ

**Drive Belts
Figure 7-505**

ITEM	PART NUMBER	QTY	LINE	SERIES	BODY	ENGINE	TRANS	TRIM	DESCRIPTION
------	-------------	-----	------	--------	------	--------	-------	------	-------------

Note: Sales Code EP0 = 2.5L Gas Engine
Note: Sales Code ER0 = 4.0L Gas Engine



1									BELT, Accessory Drive
	04854033	1				ER0			With Air Conditioning
	53010150	1	J			EP0			With Air Conditioning
	53010234	1	U			EP0			With Air Conditioning
	53010257	1	J			EP0			Without Air Conditioning
	53013124AB	1	U			EP0			Without Air Conditioning
	53013209AC	1				ER0			Without Air Conditioning
-2									LABEL, Belt Routing
	53010298	1	J			EP0			
	53013005AB	1	U			EP0			
	53031700AB	1				ER0			

WRANGLER (TJ)

SERIES LINE
H = Sport J = Wrangler 4WD
L = SE U = Wrangler 4WD (RHD)
P = Sahara

BODY
77 = 93.4 WB

ENGINE
EPE = ENGINE - 2.5L POWER
TECH I-4 Cyl.
ERH = ENGINE - 4.0L
POWER TECH I-6

TRANSMISSION
DDD = TRANSMISSION - 5-SPEED
HD MANUAL
DDQ = TRANSMISSION - 5-SPEED
MANUAL
DGD = TRANSMISSION - 3-SPD.
AUTOMATIC,30RH
DGG = TRANSMISSION - 3-SPD.
AUTOMATIC,32RH
DG0 = All Automatic Transmissions
DBB = All Manual Transmissions
DD0 = All 5 Speed Manual
Transmissions

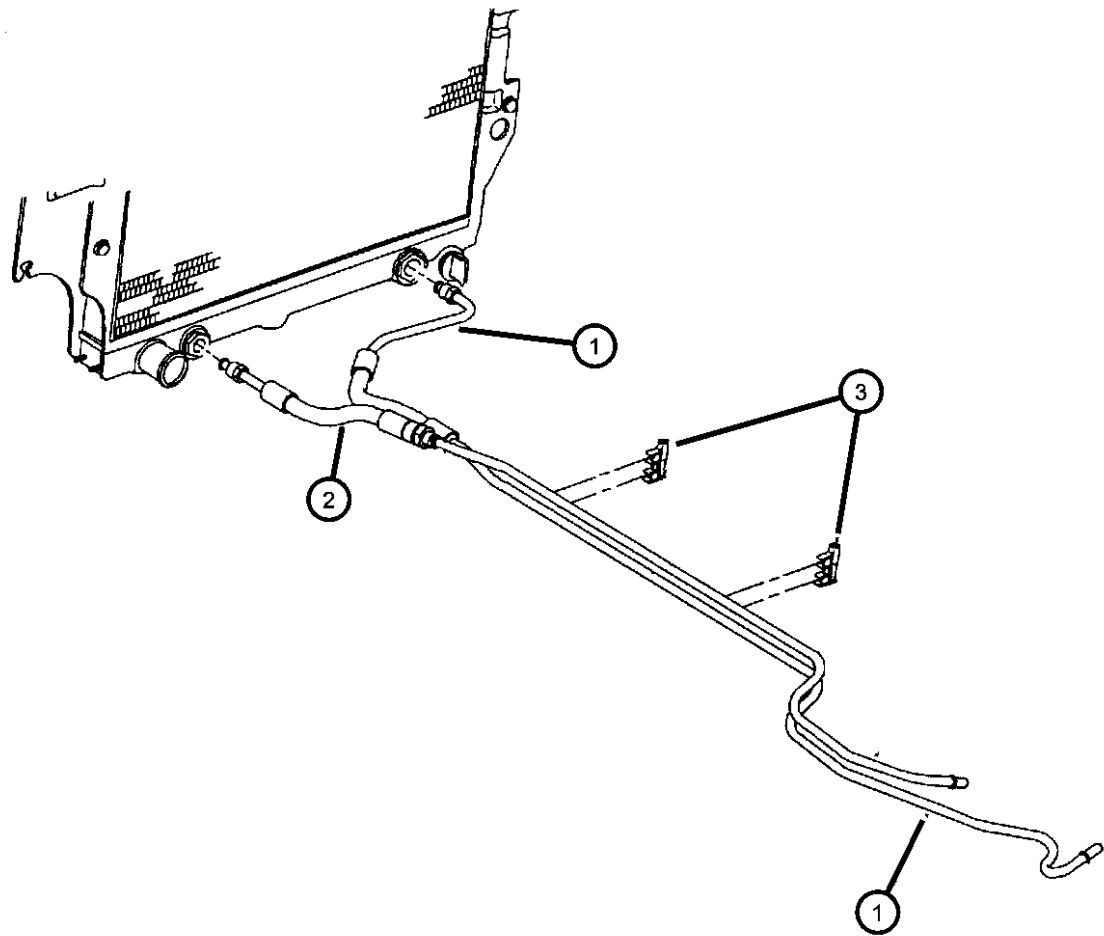
AR = use ase required - = Non illustrated part

2000 TJ

**Oil Cooler Lines
Figure 7-605**

ITEM	PART NUMBER	QTY	LINE	SERIES	BODY	ENGINE	TRANS	TRIM	DESCRIPTION
------	-------------	-----	------	--------	------	--------	-------	------	-------------

Note: Sales Code DG0 = All Auto Trans
 Note: Sales Code EP0 = 2.5L Gas Engine
 Note: Sales Code ER0 = 4.0L Gas Engine
 Note: Sales Code DGG = 3 Speed Auto Trans
 Note: Sales Code DGD = 3 Speed Auto Trans



1									LINE, Oil Cooler Return
	52079638AB	1					DGD		
	52118606AB	1					DGG		
2									TUBE AND HOSE, Oil Cooler
	52079687AB	1					DGD		
	52079899AB	1				ER0	DG0		Pressure
	52079901AA	1				ER0	DG0		Return
3	52079789AA	2					DG0		BRACKET, Transmission Oil Cooler

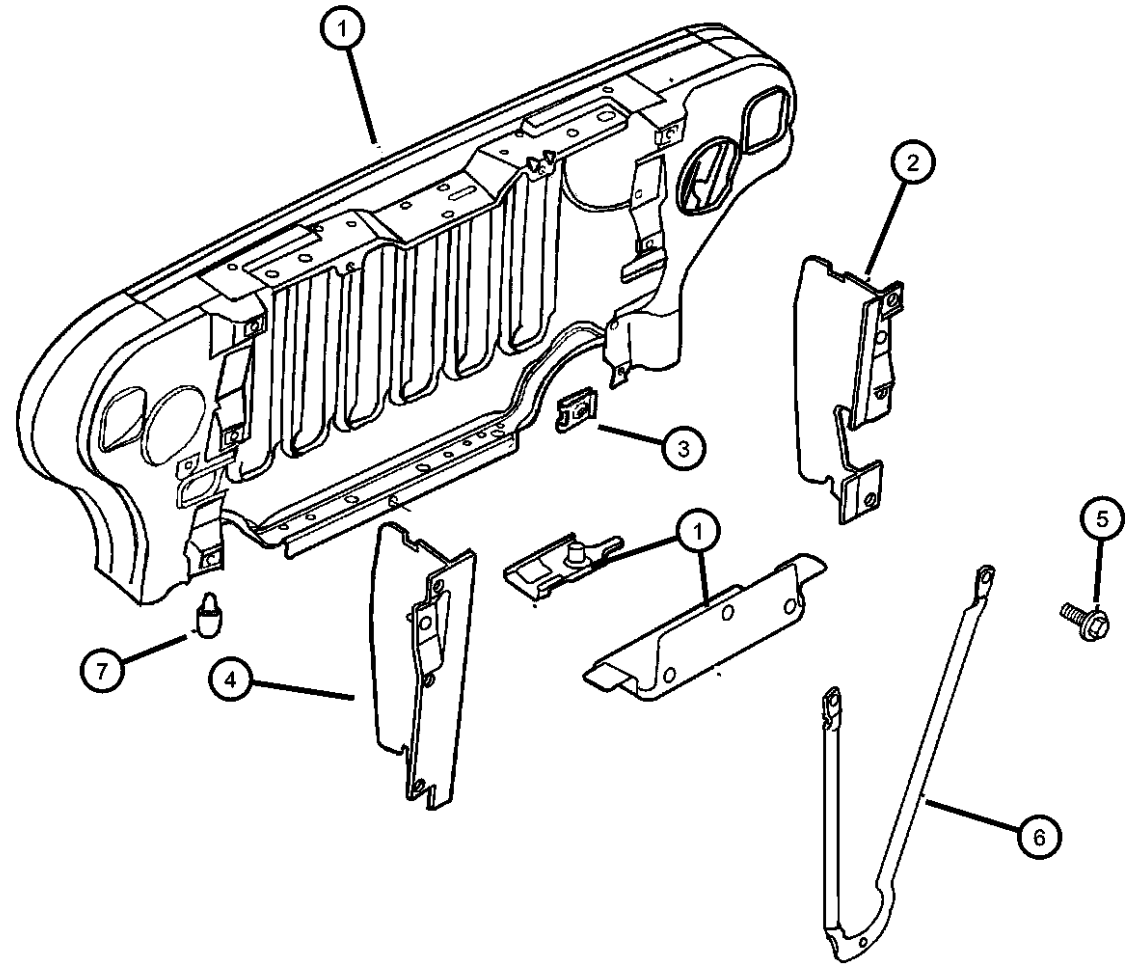
WRANGLER (TJ)

SERIES	LINE	BODY	ENGINE	TRANSMISSION
H = Sport	J = Wrangler 4WD	77 = 93.4 WB	EPE = ENGINE - 2.5L POWER TECH I-4 Cyl.	DDD = TRANSMISSION - 5-SPEED HD MANUAL
L = SE	U = Wrangler 4WD (RHD)		ERH = ENGINE - 4.0L POWER TECH I-6	DDQ = TRANSMISSION - 5-SPEED MANUAL
P = Sahara				DGD = TRANSMISSION - 3-SPD. AUTOMATIC,30RH
				DGG = TRANSMISSION - 3-SPD. AUTOMATIC,32RH
				DG0 = All Automatic Transmissions
				DBB = All Manual Transmissions
				DD0 = All 5 Speed Manual Transmissions

AR = use ase required - = Non illustrated part

2000 TJ

**Grille And Related Parts
Figure 7-705**



ITEM	PART NUMBER	QTY	LINE	SERIES	BODY	ENGINE	TRANS	TRIM	DESCRIPTION
1	55174594AC	1							PANEL, Radiator Closure, after 1-3-97
2	55036866AC	1							SEAL, Condenser, Condenser to Grille,Right
3	J4003120	4							WELL NUT, .25-20x.63
4	55036867	1							SEAL, Condenser, Condenser to Grille, Left
5	06100548	3							BOLT AND CONED WASHER, Hex Head, M6x20x12.5
6	55176218	1							BRACE, Radiator, Radiator Guard
7	55176181	2							ISOLATOR

WRANGLER (TJ)

SERIES	LINE
H = Sport	J = Wrangler 4WD
L = SE	U = Wrangler 4WD (RHD)
P = Sahara	

BODY
77 = 93.4 WB

ENGINE
EPE = ENGINE - 2.5L POWER TECH I-4 Cyl.
ERH = ENGINE - 4.0L POWER TECH I-6

TRANSMISSION
DDD = TRANSMISSION - 5-SPEED HD MANUAL
DDQ = TRANSMISSION - 5-SPEED MANUAL
DGD = TRANSMISSION - 3-SPD. AUTOMATIC,30RH
DGG = TRANSMISSION - 3-SPD. AUTOMATIC,32RH
DG0 = All Automatic Transmissions
DBB = All Manual Transmissions
DD0 = All 5 Speed Manual Transmissions

AR = use ase required - = Non illustrated part

2000 TJ

Group - 8

Electrical

Group - 8 Electrical

Illustration Title

Group-Fig. No.

Starters

Starter Fig. 8 - 105

Alternators

Alternator 2.5L Engine Fig. 8 - 205
 Alternator 4.0L Engine Fig. 8 - 210

Distributor

Distributor 2.5L Engine Fig. 8 - 305

Modules

Modules Fig. 8 - 405

Relays

Power Distribution Center Relays and Fuses Fig. 8 - 505
 Fuse Block Relays and Fuses Fig. 8 - 510

Sensors

Sensors 2.5L Engine Fig. 8 - 605
 Sensors 4.0L Engine Fig. 8 - 610
 Sensors Drivetrain Fig. 8 - 615
 Sensors Body Fig. 8 - 620

Single Board Engine Controllers

Single Board Engine Controllers (JTEC Module) Fig. 8 - 705

Switches

Switches Instrument Panel and Console Fig. 8 - 805
 Switches Drivetrain Fig. 8 - 810
 Switches Body Fig. 8 - 815

Horns

Horns Fig. 8 - 905

Battery Tray and Cables

Battery Tray & Cables Fig. 8 - 1005

Lamps - Front, Rear and Courtesy

Lamps Front Fig. 8 - 1105
 Lamps--Rear Fig. 8 - 1110
 Lamps--Cargo-Dome-Courtesy Fig. 8 - 1115
 Bulbs & Sockets Fig. 8 - 1120

Wiring-Engine & Related Parts

Wiring--Engine & Related Parts Fig. 8 - 1205

Wiring-Headlamp to Dash

Wiring--Headlamp / Dash Panel Fig. 8 - 1305

Wiring-Instrument Panel

Wiring Instrument Panel & Fuses Fig. 8 - 1405

Wiring-Body & Accessories

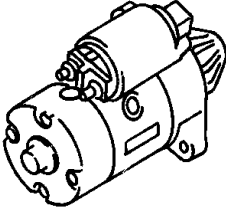
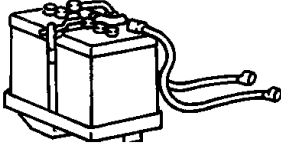
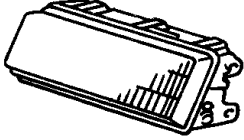
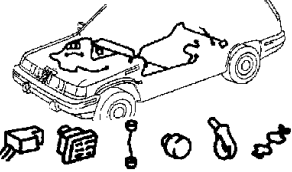


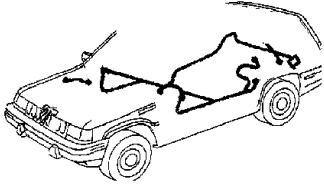
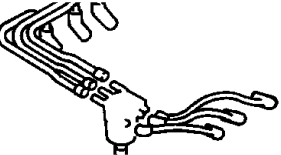
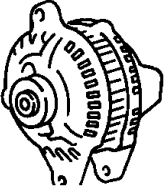
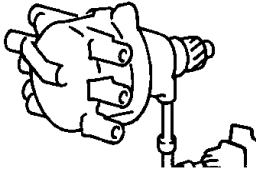
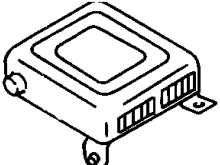
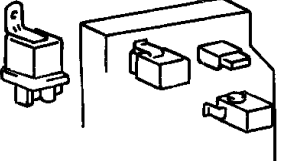
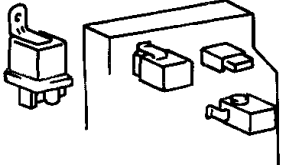
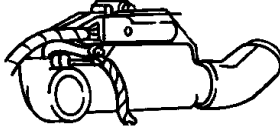
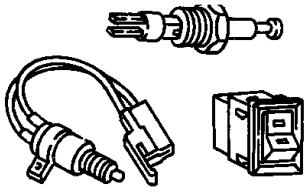
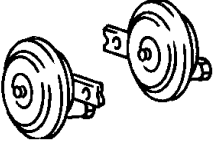
Wiring--Body & Accessory Fig. 8 - 1505

Wiring Repair

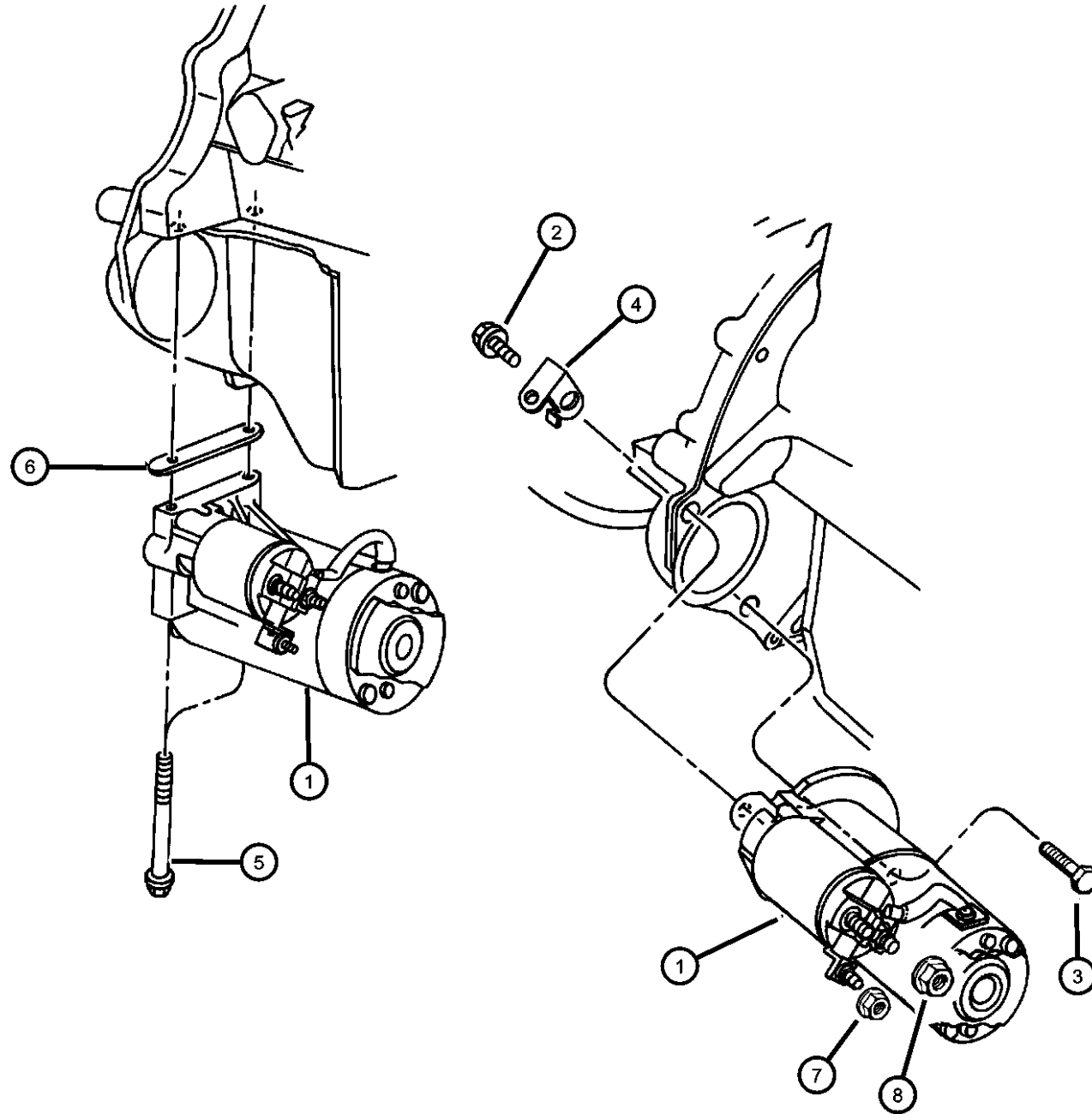
Wiring Repair Packages Fig. 8 - 1605
 Power Distribution Center Repair Fig. 8 - 1610

Spark Plugs-Cables-Coils

Spark Plugs--Cables--Coil Fig. 8 - 1905

<p>008-100 Starters</p> 	<p>008-1000 Battery Tray and Cables</p> 	<p>008-1100 Lamps - Front, Rear and Courtesy</p> 	<p>008-1200 Wiring-Engine & Related Parts</p> 
<p>008-1300 Wiring-Headlamp to Dash</p> 	<p>008-1400 Wiring-Instrument Panel</p> 	<p>008-1500 Wiring-Body & Accessories</p> 	<p>008-1600 Wiring Repair</p> <p>WIRING REPAIR PKG.</p>
<p>008-1900 Spark Plugs-Cables-Coils</p> 	<p>008-200 Alternators</p> 	<p>008-300 Distributor</p> 	<p>008-400 Modules</p> 
<p>008-500 Relays</p> 	<p>008-600 Sensors</p> 	<p>008-700 Single Board Engine Controllers</p> 	<p>008-800 Switches</p> 
<p>008-900 Horns</p> 			

Starter
Figure 8-105



ITEM	PART NUMBER	QTY	LINE	SERIES	BODY	ENGINE	TRANS	TRIM	DESCRIPTION
	[EP0]=2.5L Engine [ER0]=4.0L Engine [DBB]=Manual Transmissions [DG0]=Automatic Transmissions								
1	56041012AB	1				ER0			STARTER
	R6041012AC								Mopar Remanufactured Part
	U6041012AC								Core Part
	56041013AB	1				EP0	DG0		
		1				EP0	DBB		
2	06503699	1				ER0			SCREW AND WASHER, Hex Head, M10x1.5x28
3	J4006192	1				ER0			BOLT AND WASHER, Hex Head, .375-16x1.75
4	04524342	4							CLIP
5	06035607	2				EP0	DBB		SCREW, Starter Motor
6	J3241711	AR				EP0			SHIM, Starter Motor
7	J3241711	AR							NUT, (M5x0.80) Not Serviced, (NOT SERVICED)
8	J3241711	AR							NUT, (M8x1.25) Not Serviced, (NOT SERVICED)

WRANGLER (TJ)

SERIES LINE
H = Sport J = Wrangler 4WD
L = SE U = Wrangler 4WD (RHD)
P = Sahara

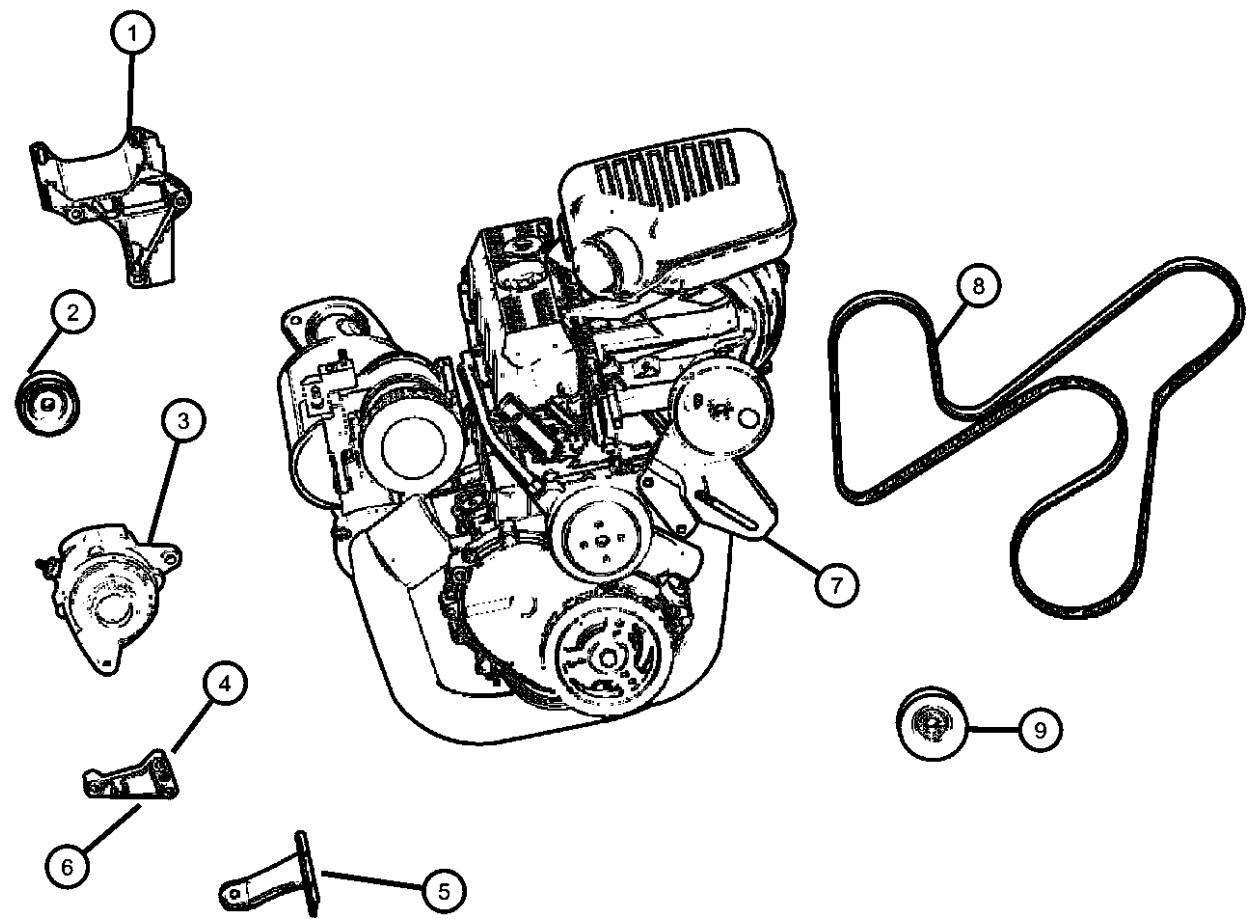
BODY
77 = 93.4 WB

ENGINE
EPE = ENGINE - 2.5L POWER TECH I-4 Cyl.
ERH = ENGINE - 4.0L POWER TECH I-6

TRANSMISSION
DDD = TRANSMISSION - 5-SPEED HD MANUAL
DDQ = TRANSMISSION - 5-SPEED MANUAL
DGD = TRANSMISSION - 3-SPD. AUTOMATIC,30RH
DGG = TRANSMISSION - 3-SPD. AUTOMATIC,32RH
DG0 = All Automatic Transmissions
DBB = All Manual Transmissions
DD0 = All 5 Speed Manual Transmissions

AR = use ase required - = Non illustrated part

**Alternator 2.5L Engine
Figure 8-205**



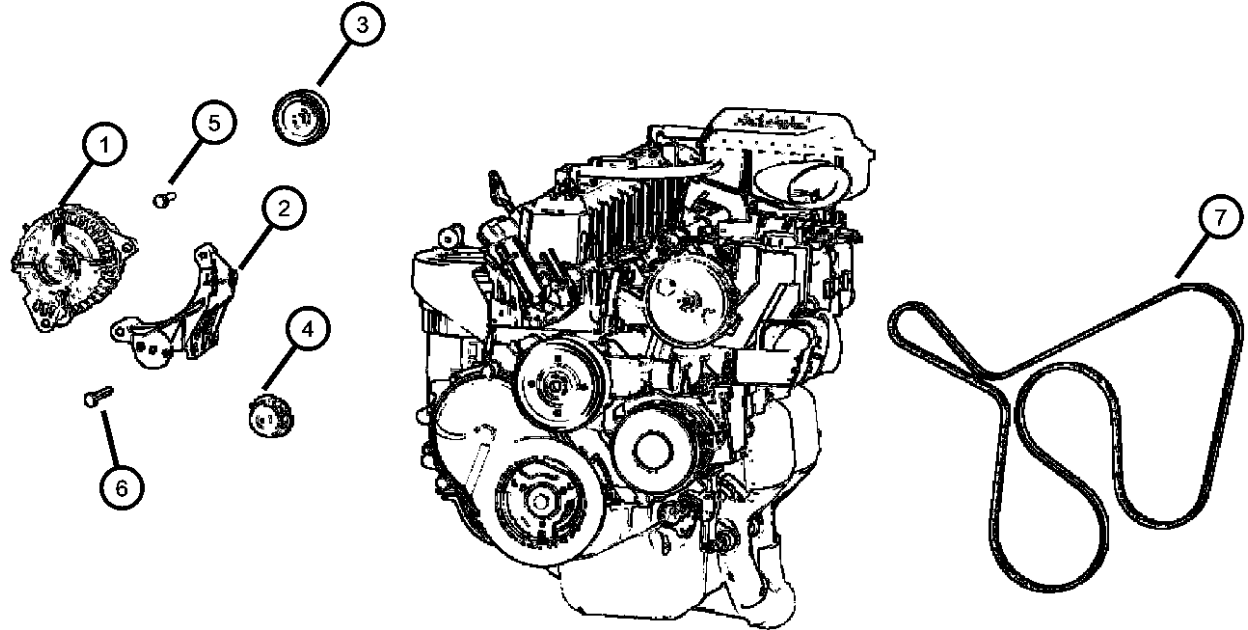
ITEM	PART NUMBER	QTY	LINE	SERIES	BODY	ENGINE	TRANS	TRIM	DESCRIPTION
EP0=2.5L Engine									
ERH=4.0L Power Tech Engine									
1									BRACKET, Alternator And Compressor
	53010224AB	1	J			EP0			
	53013281AB	1	U			EP0			
2	53010230	1				EP0			PULLEY, Idler
3									ALTERNATOR
	56005684AB	1				EP0			81 Amp
	56005685AC	1				EP0			117 Amp
4	53007604	1	J			EP0			BRACKET, Alternator, Rear Mounting
5	53007506	1	J			EP0			BRACKET, Alternator, Rear Mounting
6	53011275	1	U			EP0			BRACKET, Alternator, Lower Mounting
7	53010148	1				EP0			BRACKET, Tensioner
8	53013209AC	1				ER0			BELT, Accessory Drive, Without Air Conditioning
9	04792112	1				EP0			PULLEY, Idler
-10	06502134	1				EP0			BOLT, Hex Flange Head, M10x1.50x110, Alternator Pivot Bolt
-11	06502135	1	J			EP0			NUT, Hex Flange, M10x1.5, Alternator Pivot Bolt
-12	06502136	1	J			EP0			BOLT, Hex Flange Head, M10x1.50x55, Alternator Rear Mounting Bracket
-13	06025063	1	J			EP0			SCREW AND WASHER, .375-16x1.125, Alternator A/C Mounting Bracket
-14	06502144	1	J			EP0			SCREW AND WASHER, Hex Head, M10x1.5x25, Alternator Brace
-15									BOLT, Hex Head, .375-16x2.50
	06033949	1	J			EP0			Alternator Bracket to Front Cover
		2	U			EP0			Alternator Bracket to Front Cover

WRANGLER (TJ)				
SERIES	LINE	BODY	ENGINE	TRANSMISSION
H = Sport	J = Wrangler 4WD	77 = 93.4 WB	EPE = ENGINE - 2.5L POWER TECH I-4 Cyl.	DDD = TRANSMISSION - 5-SPEED HD MANUAL
L = SE	U = Wrangler 4WD (RHD)		ERH = ENGINE - 4.0L POWER TECH I-6	DDQ = TRANSMISSION - 5-SPEED MANUAL
P = Sahara				DGD = TRANSMISSION - 3-SPD. AUTOMATIC,30RH
				DGG = TRANSMISSION - 3-SPD. AUTOMATIC,32RH
				DG0 = All Automatic Transmissions
				DBB = All Manual Transmissions
				DD0 = All 5 Speed Manual Transmissions

AR = use ase required - = Non illustrated part

**Alternator 4.0L Engine
Figure 8-210**

ITEM	PART NUMBER	QTY	LINE	SERIES	BODY	ENGINE	TRANS	TRIM	DESCRIPTION
[ER0]=4.0L Engine									
1									ALTERNATOR
	56041565AA	1				ER0			117 Amp
	56041685AA	1				ER0			81 Amp
2	04854026	1				ER0			BRACKET, Alternator
3	04854089	1				ER0			TENSIONER, Alternator Belt
4	04854092	1				ER0			PULLEY, Idler
5	00154854AA	4				ER0			SCREW AND WASHER, Hex
6	06504344	1				ER0			SCREW AND WASHER, Hex Head
7	53013209AC	1				ER0			BELT, Accessory Drive

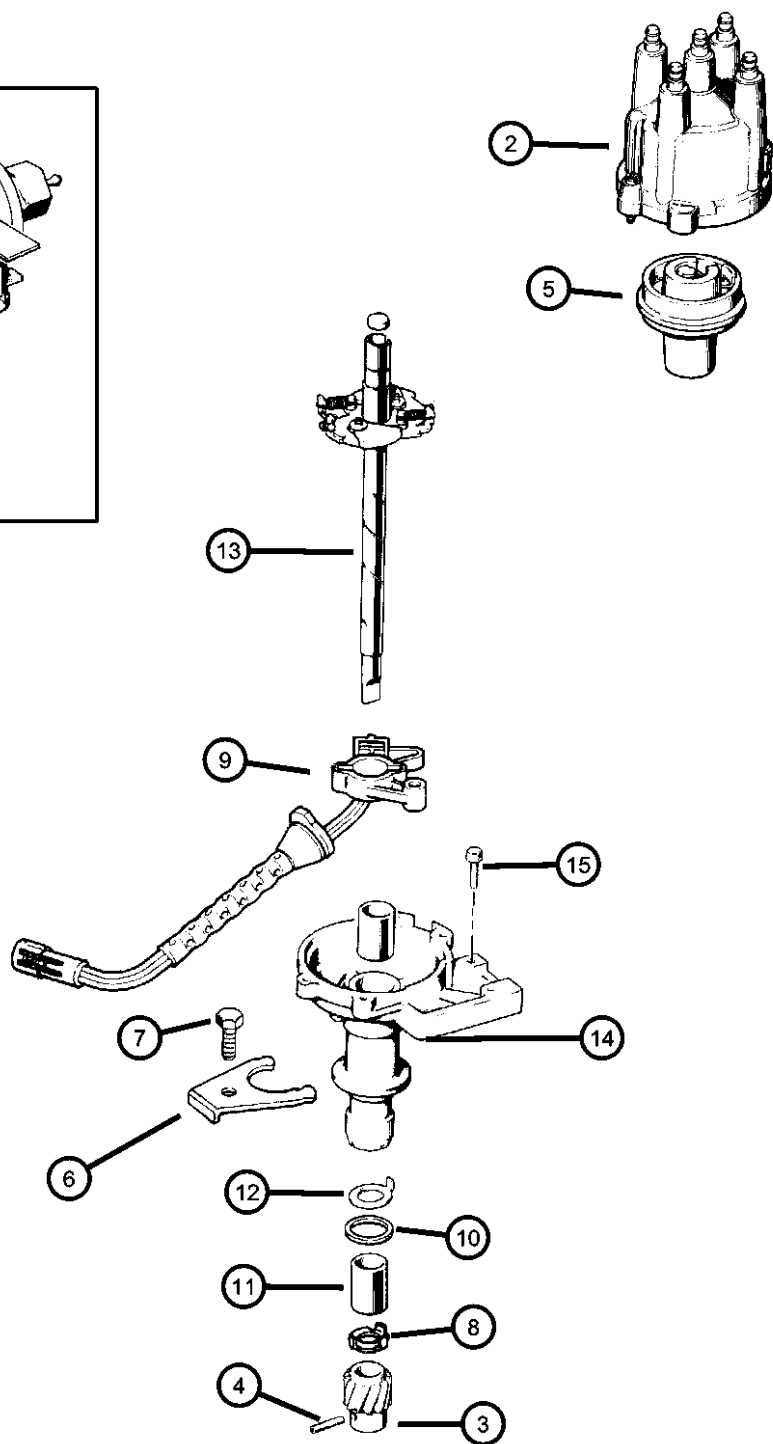
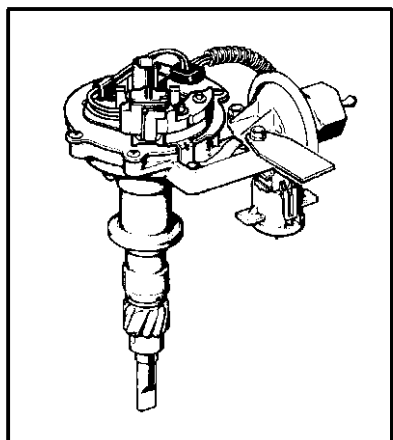


WRANGLER (TJ)

SERIES	LINE	BODY	ENGINE	TRANSMISSION
H = Sport	J = Wrangler 4WD	77 = 93.4 WB	EPE = ENGINE - 2.5L POWER TECH I-4 Cyl.	DDD = TRANSMISSION - 5-SPEED HD MANUAL
L = SE	U = Wrangler 4WD (RHD)		ERH = ENGINE - 4.0L POWER TECH I-6	DDQ = TRANSMISSION - 5-SPEED MANUAL
P = Sahara				DGD = TRANSMISSION - 3-SPD. AUTOMATIC,30RH
				DGG = TRANSMISSION - 3-SPD. AUTOMATIC,32RH
				DG0 = All Automatic Transmissions
				DBB = All Manual Transmissions
				DD0 = All 5 Speed Manual Transmissions

AR = use ase required - = Non illustrated part

**Distributor 2.5L Engine
Figure 8-305**



ITEM	PART NUMBER	QTY	LINE	SERIES	BODY	ENGINE	TRANS	TRIM	DESCRIPTION
------	-------------	-----	------	--------	------	--------	-------	------	-------------

EP0=2.5L Engine
DGD=3 Speed Automatic Transmission

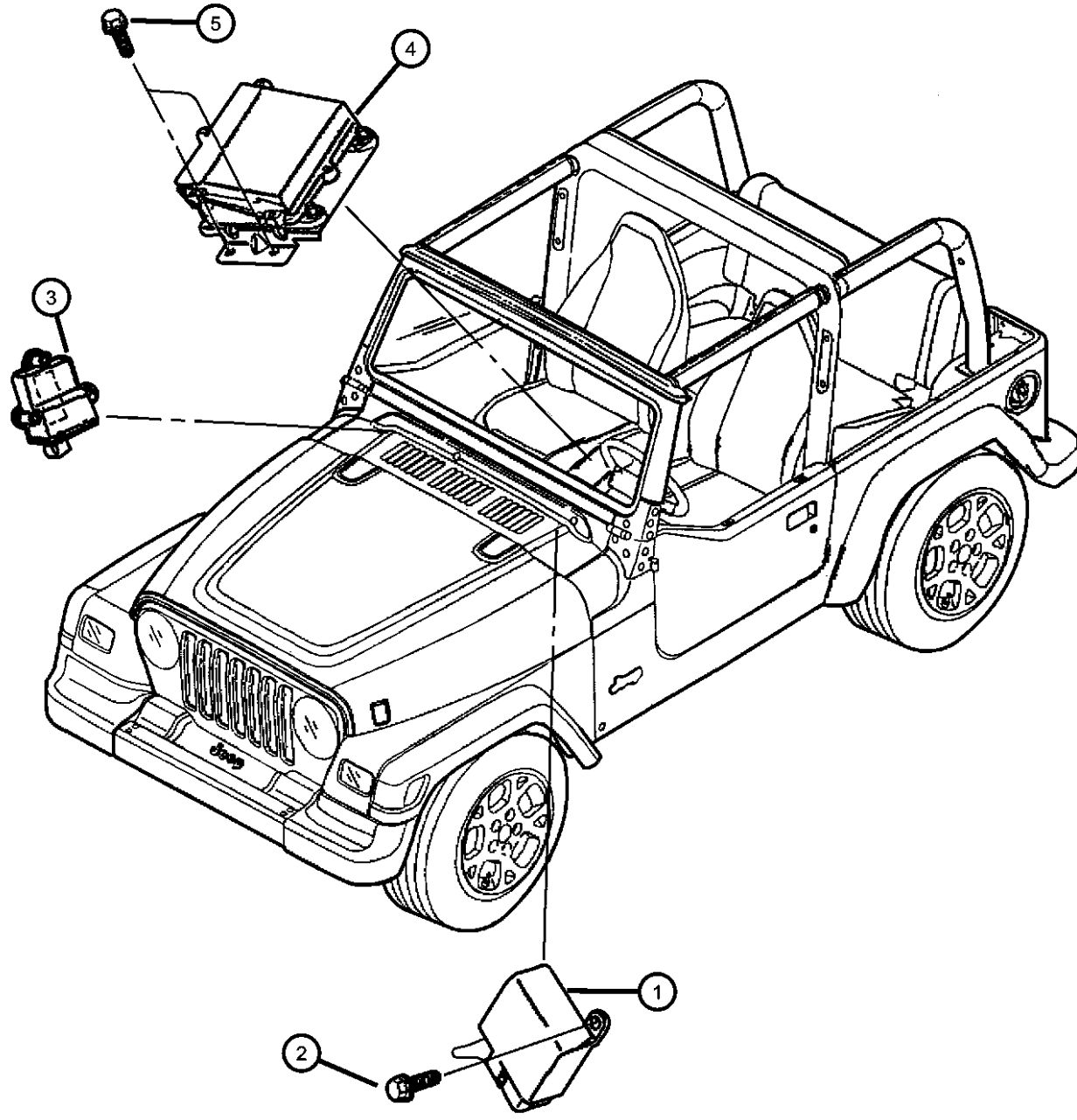
1	56041033	1				EP0			DISTRIBUTOR, Engine
2	53006152AB	1				EP0			CAP, Distributor
3	83504635	1				EP0			GEAR, Distributor Drive
4	09422127	1				EP0			ROLL PIN, .19x.75
5	56027019	1				EP0			ROTOR, Distributor
6	33004242	1				EP0			CLAMP, Distributor
7	06033479	6					DGD		BOLT, Hex Head, .25-28x1-5/8
8	53009078	1				EP0			WASHER, Distributor Gear
9	56041030	1				EP0			SWITCHPLATE, Distributor
10	J3181288	1				EP0			GASKET, Distributor
11	J3181288	1							SPACER, Distributor, Serviced w/Distributor, (NOT SERVICED)
12	J3181288	1							SEAL, Serviced w/Distributor, (NOT SERVICED)
13	J3181288	1							SHAFT, Distributor, Serviced w/Distributor, (NOT SERVICED)
14	J3181288	1							HOUSING, Distributor, Serviced w/Distributor, (NOT SERVICED)
15	J3181288	1							SCREW, Serviced w/Distributor, (NOT SERVICED)

WRANGLER (TJ)					
SERIES	LINE	BODY	ENGINE	TRANSMISSION	
H = Sport	J = Wrangler 4WD	77 = 93.4 WB	EPE = ENGINE - 2.5L POWER TECH I-4 Cyl.	DDD = TRANSMISSION - 5-SPEED HD MANUAL	
L = SE	U = Wrangler 4WD (RHD)		ERH = ENGINE - 4.0L POWER TECH I-6	DDQ = TRANSMISSION - 5-SPEED MANUAL	
P = Sahara				DGD = TRANSMISSION - 3-SPD. AUTOMATIC,30RH	
				DGG = TRANSMISSION - 3-SPD. AUTOMATIC,32RH	
				DG0 = All Automatic Transmissions	
				DBB = All Manual Transmissions	
				DD0 = All 5 Speed Manual Transmissions	

AR = use ase required - = Non illustrated part

Modules
Figure 8-405

ITEM	PART NUMBER	QTY	LINE	SERIES	BODY	ENGINE	TRANS	TRIM	DESCRIPTION
1	56004262	1							MODULE, Daytime Running Lamp, Daytime Running Lamp
2	56004262	1							SCREW, 250-14x.625 (Not Serviced) ***, (NOT SERVICED)
3	56004262	1							MODULE, Immobilizer, (NOT REQUIRED)
4	56010105AD	1							MODULE, Air Bag Control
5	56010105AD	1							SCREW, M6.3x1.81x20.00, (NOT SERVICED)



WRANGLER (TJ)

SERIES LINE
H = Sport J = Wrangler 4WD
L = SE U = Wrangler 4WD (RHD)
P = Sahara

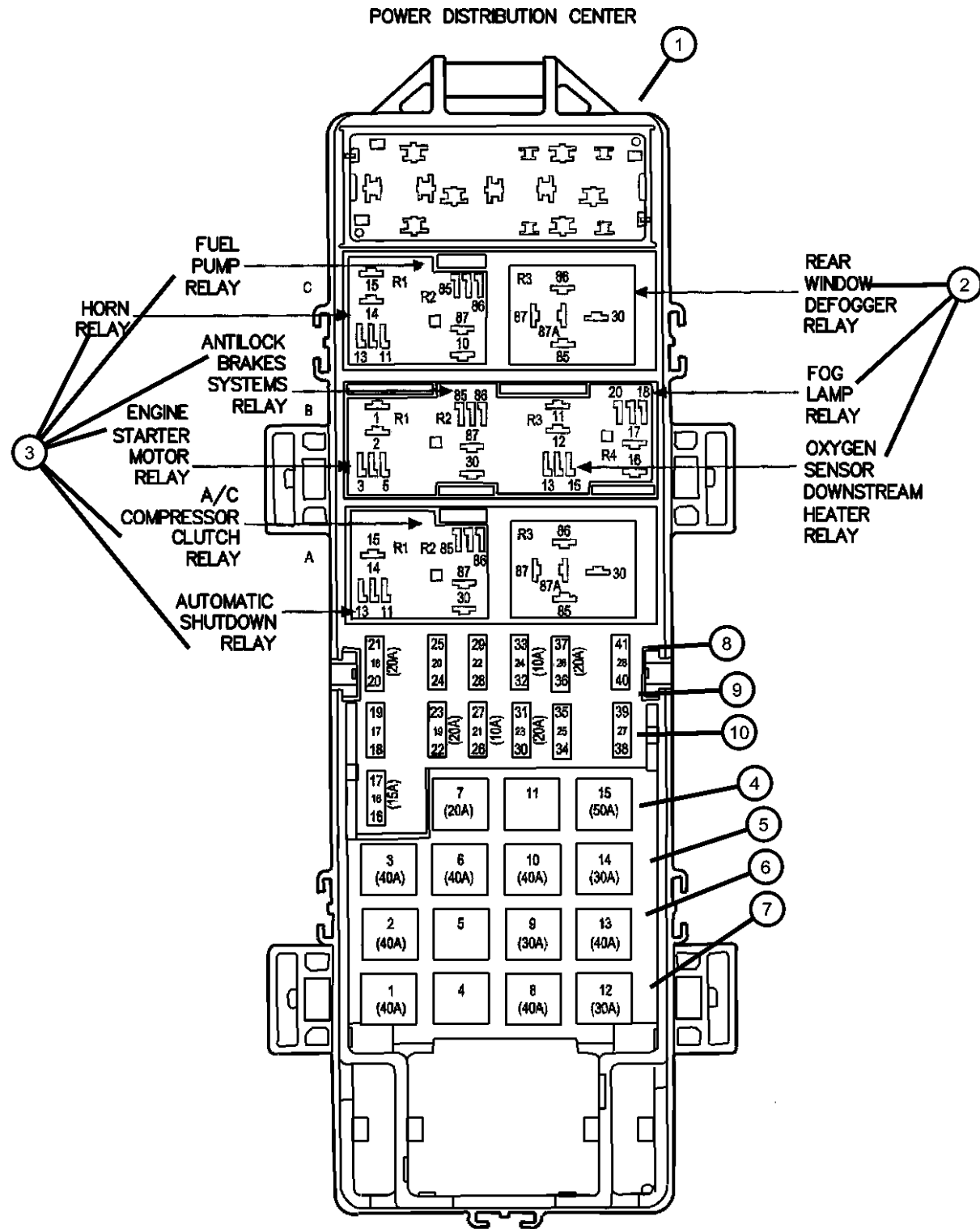
BODY
77 = 93.4 WB

ENGINE
EPE = ENGINE - 2.5L POWER TECH I-4 Cyl.
ERH = ENGINE - 4.0L POWER TECH I-6

TRANSMISSION
DDD = TRANSMISSION - 5-SPEED HD MANUAL
DDQ = TRANSMISSION - 5-SPEED MANUAL
DGD = TRANSMISSION - 3-SPD. AUTOMATIC,30RH
DGG = TRANSMISSION - 3-SPD. AUTOMATIC,32RH
DGO = All Automatic Transmissions
DBB = All Manual Transmissions
DDO = All 5 Speed Manual Transmissions

AR = use ase required - = Non illustrated part

Power Distribution Center Relays and Fuses
Figure 8-505



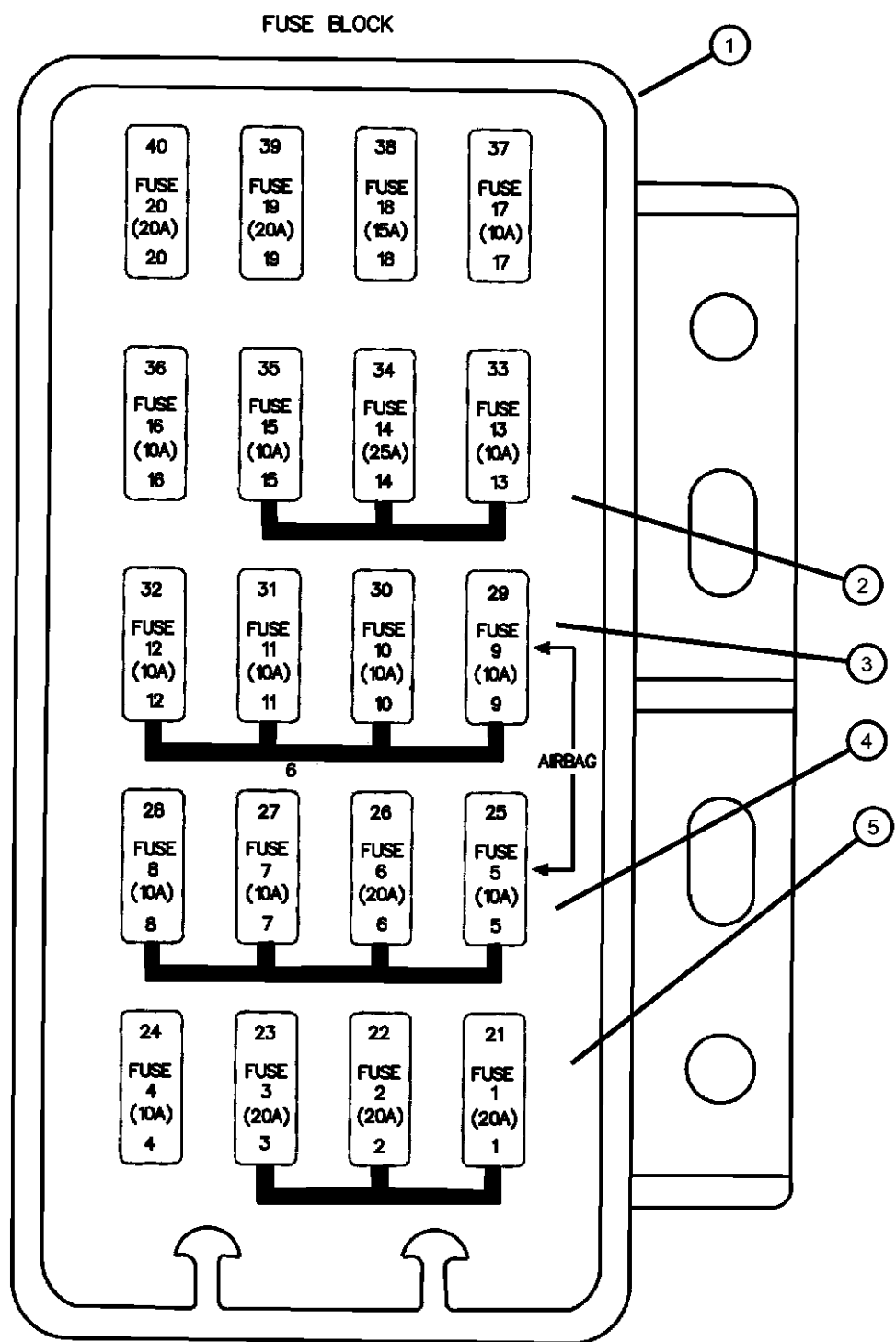
ITEM	PART NUMBER	QTY	LINE	SERIES	BODY	ENGINE	TRANS	TRIM	DESCRIPTION
1	56010105AD	1							POWER DISTRIBUTION CENTER, Serviced in Headlamp to Dash Harness, (NOT SERVICED)
2	04671168	1							RELAY, Mini
3	04638094	1							RELAY PACKAGE, Electrical
4	06102075AA	1							FUSE CARTRIDGE, 20 Amp
5	06102076AA	3							FUSE CARTRIDGE, 30 Amp
6	06102077AA	1							FUSE CARTRIDGE, 40 Amp
7	06102077AA	1							FUSE CARTRIDGE, 50 Amp, 06102078AA, (NOT SERVICED)
8	000ATM10	2							FUSE, Mini, 10 AMP, Red
9	000ATM10	2							FUSE, Mini, 15 AMP, Light Blue, 000ATM15, (NOT SERVICED)
10	000ATM20	1					DG0		FUSE, Mini, 20 AMP, Yellow
-11									COVER, Power Distribution Center Top
	56009713AF	1							Bottom
	56047000AA	1							
-12	56006771	1							RELAY, Electrical, ABS Pump

WRANGLER (TJ)

SERIES	LINE	BODY	ENGINE	TRANSMISSION
H = Sport	J = Wrangler 4WD	77 = 93.4 WB	EPE = ENGINE - 2.5L POWER TECH I-4 Cyl.	DDD = TRANSMISSION - 5-SPEED HD MANUAL
L = SE	U = Wrangler 4WD (RHD)		ERH = ENGINE - 4.0L POWER TECH I-6	DDQ = TRANSMISSION - 5-SPEED MANUAL
P = Sahara				DGD = TRANSMISSION - 3-SPD. AUTOMATIC, 30RH
				DGG = TRANSMISSION - 3-SPD. AUTOMATIC, 32RH
				DG0 = All Automatic Transmissions
				DBB = All Manual Transmissions
				DD0 = All 5 Speed Manual Transmissions

AR = use ase required - = Non illustrated part

Fuse Block Relays and Fuses
Figure 8-510



ITEM	PART NUMBER	QTY	LINE	SERIES	BODY	ENGINE	TRANS	TRIM	DESCRIPTION
1	56006771	1							BLOCK, Fuse, Serviced in Cross Body Harness, (NOT SERVICED)
2	000ATM10	2							FUSE, Mini, 10 AMP, Red
3	000ATM10	2							FUSE, Mini, 15 AMP, Light Blue, ATM15, (NOT SERVICED)
4	000ATM20	5							FUSE, Mini, 20 AMP, Yellow
5	000ATM20	5							FUSE, Mini, 25 Amp, Natural, ATM25, (NOT SERVICED)
-6	56006771	1							RELAY, Electrical, ABS Pump

WRANGLER (TJ)

SERIES	LINE
H = Sport	J = Wrangler 4WD
L = SE	U = Wrangler 4WD (RHD)
P = Sahara	

BODY
77 = 93.4 WB

ENGINE
EPE = ENGINE - 2.5L POWER TECH I-4 Cyl.
ERH = ENGINE - 4.0L POWER TECH I-6

TRANSMISSION
DDD = TRANSMISSION - 5-SPEED HD MANUAL
DDQ = TRANSMISSION - 5-SPEED MANUAL
DGD = TRANSMISSION - 3-SPD. AUTOMATIC,30RH
DGG = TRANSMISSION - 3-SPD. AUTOMATIC,32RH
DG0 = All Automatic Transmissions
DBB = All Manual Transmissions
DD0 = All 5 Speed Manual Transmissions

AR = use ase required - = Non illustrated part

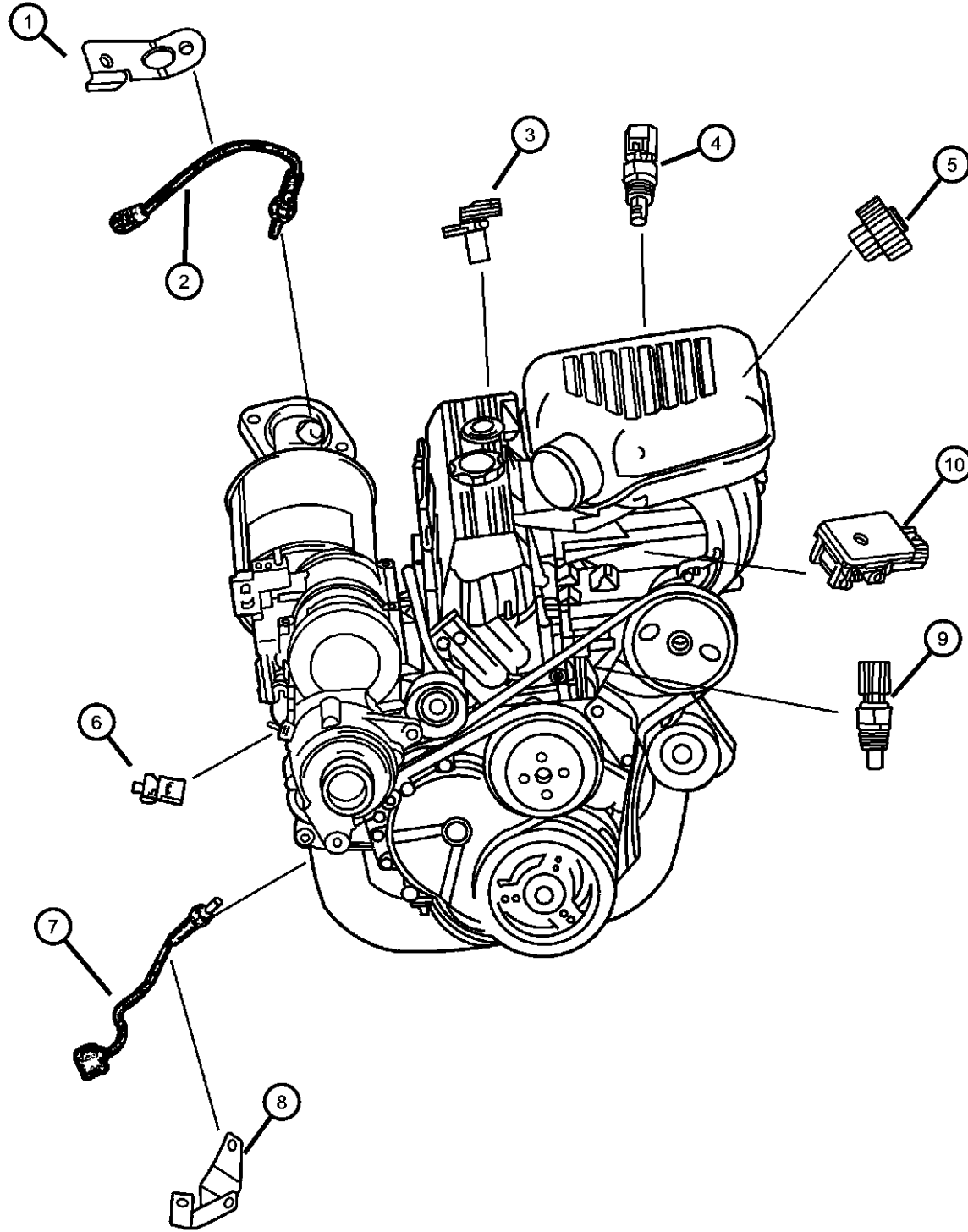
Sensors 2.5L Engine
Figure 8-605

ITEM	PART NUMBER	QTY	LINE	SERIES	BODY	ENGINE	TRANS	TRIM	DESCRIPTION
------	-------------	-----	------	--------	------	--------	-------	------	-------------

EP0=2.5L Engine

DBB= Manual Transmission
 DG0=Automatic Transmission
 DGG= Automatic Transmission 3 Speed
 DGD=Automatic Transmission 3 Speed
 DGK=Manual Transmission 5 Speed Heavy Duty

1	56041069	1				EP0			BRACKET, Oxygen Sensor
2	56041212AF	1				EP0, ER0			SENSOR, Oxygen
3	56041819AA	1				EP0			SENSOR, Crankshaft Position
4	56027872	1				EP0, ER0			SENSOR, Air Temperature
5	04874371AC	1				EP0			SENSOR, Throttle Position
6	56028807AA	1				EP0, ER0			SENDING UNIT, Oil Pressure
7	56041213AF	1				EP0			SENSOR, Oxygen
8	56041069	1				EP0			BRACKET, Oxygen Sensor
9	56027873	1				EP0, ER0			SENSOR, Coolant Temperature
10	56029405	1				EP0, ER0			SENSOR, Map
-11	34202536	2				EP0	DGD		STUD, .312-18x2.26, Crank Sensor Mounting



WRANGLER (TJ)

SERIES LINE BODY
 H = Sport J = Wrangler 4WD 77 = 93.4 WB
 L = SE U = Wrangler 4WD (RHD)
 P = Sahara

BODY
 77 = 93.4 WB

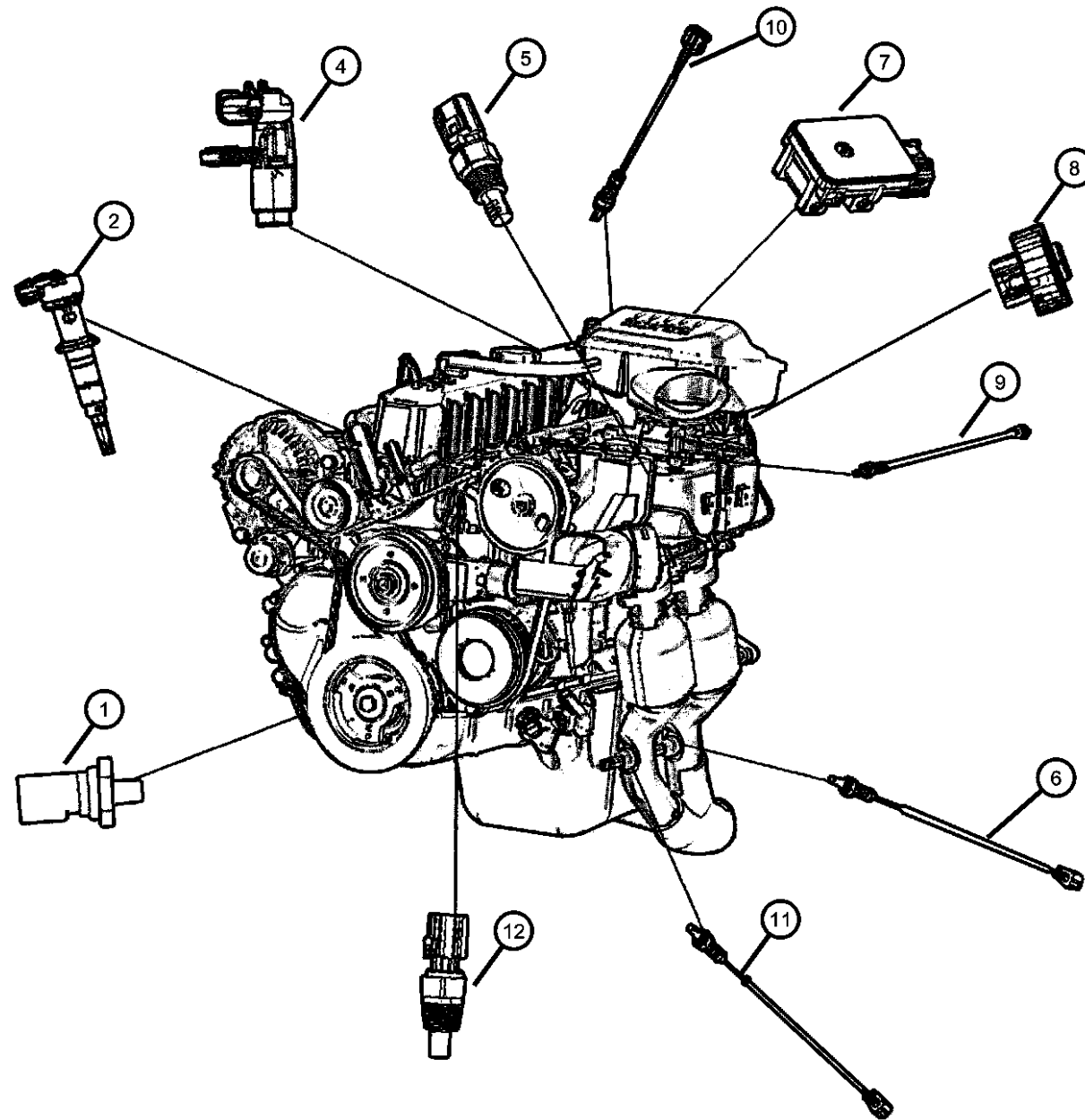
ENGINE
 EPE = ENGINE - 2.5L POWER TECH I-4 Cyl.
 ERH = ENGINE - 4.0L POWER TECH I-6

TRANSMISSION
 DDD = TRANSMISSION - 5-SPEED HD MANUAL
 DDQ = TRANSMISSION - 5-SPEED MANUAL
 DGD = TRANSMISSION - 3-SPD. AUTOMATIC,30RH
 DGG = TRANSMISSION - 3-SPD. AUTOMATIC,32RH
 DG0 = All Automatic Transmissions
 DBB = All Manual Transmissions
 DD0 = All 5 Speed Manual Transmissions

AR = use ase required - = Non illustrated part

2000 TJ

Sensors 4.0L Engine
Figure 8-610



ITEM	PART NUMBER	QTY	LINE	SERIES	BODY	ENGINE	TRANS	TRIM	DESCRIPTION
[ER0]=All 4.0L Engine									
[DG0]=All Automatic Transmissions									
1	56028807AA	1				EP0, ER0			SENDING UNIT, Oil Pressure
2	04897023AA	1				ER0			SENSOR, Camshaft
-3	05083881AA	1				ER0			DRIVE, OIL PUMP
4	04897321AA	1				ER0	DG0		SENSOR PACKAGE, Crankshaft Position
5	56027872	1				EP0, ER0			SENSOR, Air Temperature
6	56041213AG	1				ER0			SENSOR, Oxygen, After Catalyst
7	56029405	1				EP0, ER0			SENSOR, Map
8	04874371AC	1				ER0			SENSOR, Throttle Position
9	56041212AF	1				ER0			SENSOR, Oxygen, California
10									SENSOR, Oxygen
	56041213AF	1				ER0			Before Catalyst (California)
	56041676AA	1				ER0			Before Catalyst
11	56044215AA	1				ER0			SENSOR, Oxygen
12	56027873	1				EP0, ER0			SENSOR, Coolant Temperature
-13	56027865AB	1				ER0	DBB		SENSOR, Crankshaft Position

WRANGLER (TJ)

SERIES LINE
H = Sport J = Wrangler 4WD
L = SE U = Wrangler 4WD (RHD)
P = Sahara

BODY
77 = 93.4 WB

ENGINE
EPE = ENGINE - 2.5L POWER
TECH I-4 Cyl.
ERH = ENGINE - 4.0L
POWER TECH I-6

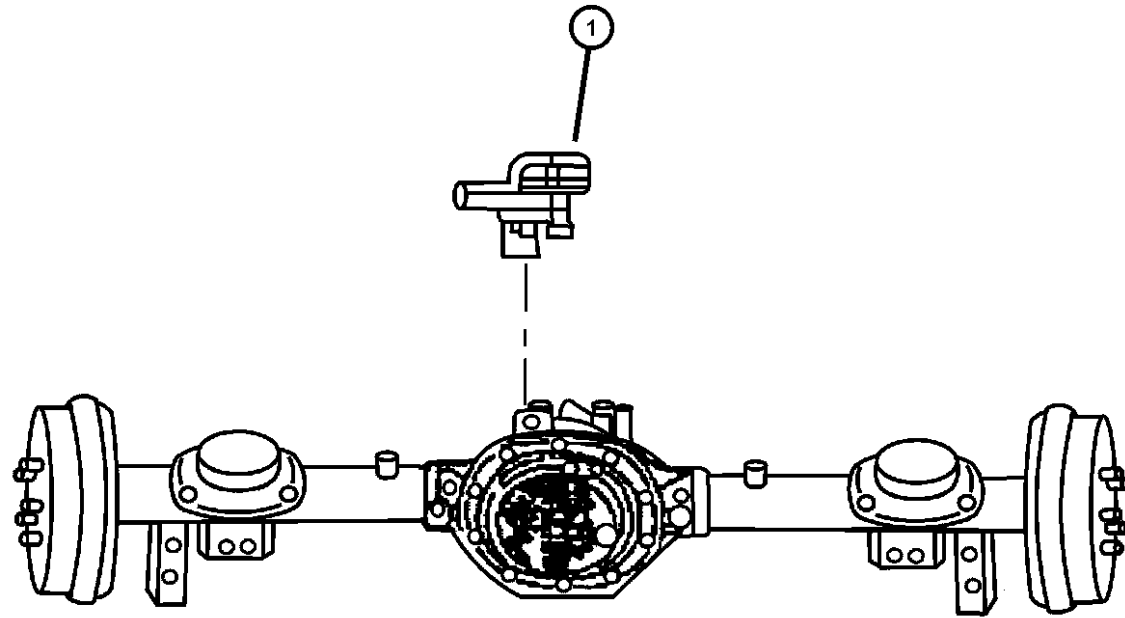
TRANSMISSION
DDD = TRANSMISSION - 5-SPEED
HD MANUAL
DDQ = TRANSMISSION - 5-SPEED
MANUAL
DGD = TRANSMISSION - 3-SPD.
AUTOMATIC,30RH
DGG = TRANSMISSION - 3-SPD.
AUTOMATIC,32RH
DG0 = All Automatic Transmissions
DBB = All Manual Transmissions
DD0 = All 5 Speed Manual
Transmissions

AR = use ase required - = Non illustrated part

2000 TJ

Sensors Drivetrain
Figure 8-615

ITEM	PART NUMBER	QTY	LINE	SERIES	BODY	ENGINE	TRANS	TRIM	DESCRIPTION
1	56027905	1							SENSOR, Vehicle Speed



WRANGLER (TJ)

SERIES	LINE
H = Sport	J = Wrangler 4WD
L = SE	U = Wrangler 4WD (RHD)
P = Sahara	

BODY
77 = 93.4 WB

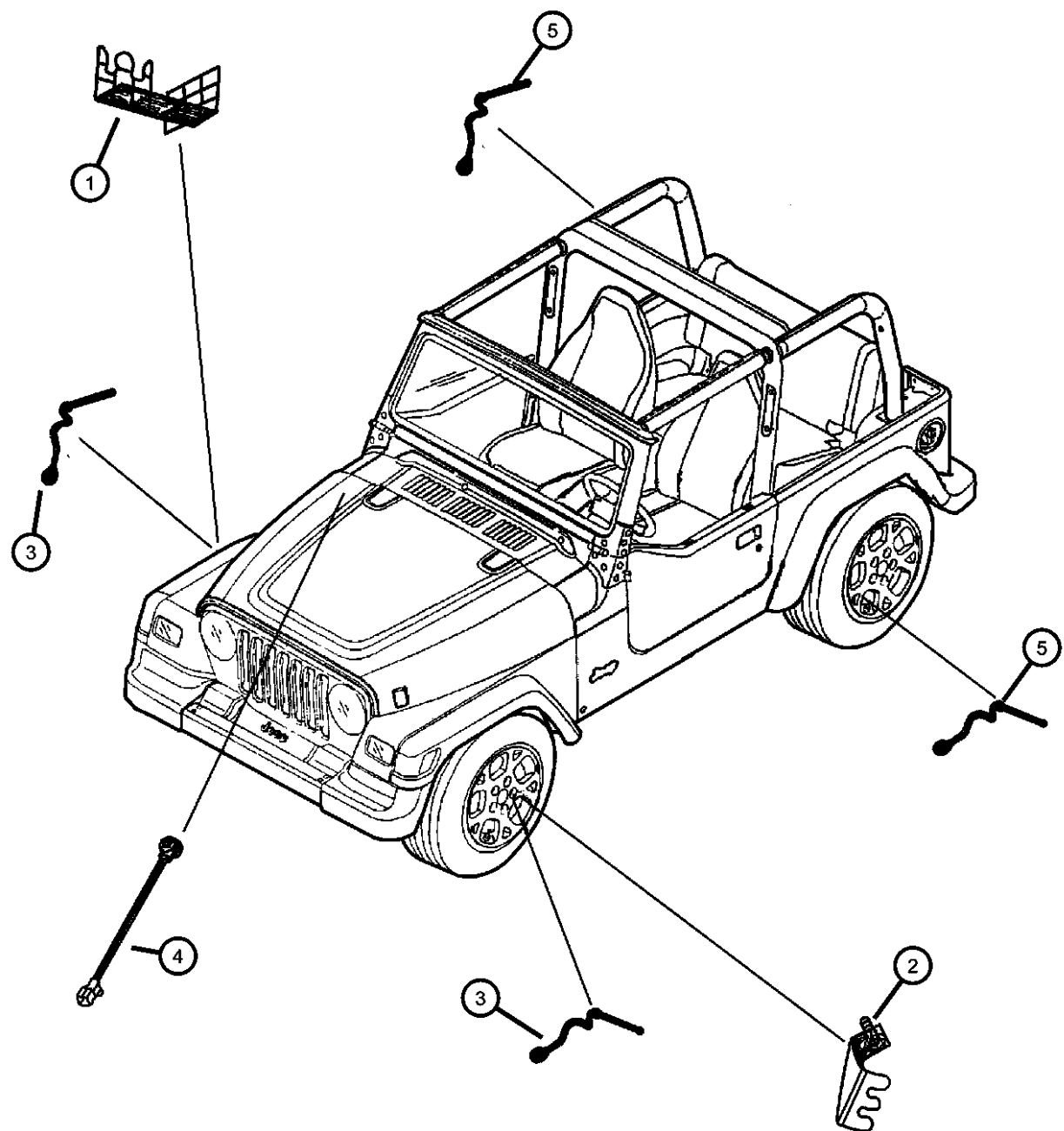
ENGINE
EPE = ENGINE - 2.5L POWER TECH I-4 Cyl.
ERH = ENGINE - 4.0L POWER TECH I-6

TRANSMISSION
DDD = TRANSMISSION - 5-SPEED HD MANUAL
DDQ = TRANSMISSION - 5-SPEED MANUAL
DGD = TRANSMISSION - 3-SPD. AUTOMATIC,30RH
DGG = TRANSMISSION - 3-SPD. AUTOMATIC,32RH
DG0 = All Automatic Transmissions
DBB = All Manual Transmissions
DD0 = All 5 Speed Manual Transmissions

AR = use ase required - = Non illustrated part

2000 TJ

Sensors Body
Figure 8-620



ITEM	PART NUMBER	QTY	LINE	SERIES	BODY	ENGINE	TRANS	TRIM	DESCRIPTION
1	52008919	1							BRACKET, ABS Sensor
2	52008920	1							BRACKET, ABS Sensor
3	56027727	2	J						SENSOR, Anti-Lock Brakes
4	56027332	1							SENSOR, Battery Temperature
5									SENSOR, Anti-Lock Brakes
	56027728	1	J						Right
	56027729	1	J						Left

WRANGLER (TJ)

SERIES LINE
H = Sport J = Wrangler 4WD
L = SE U = Wrangler 4WD (RHD)
P = Sahara

BODY
77 = 93.4 WB

ENGINE
EPE = ENGINE - 2.5L POWER
TECH I-4 Cyl.
ERH = ENGINE - 4.0L
POWER TECH I-6

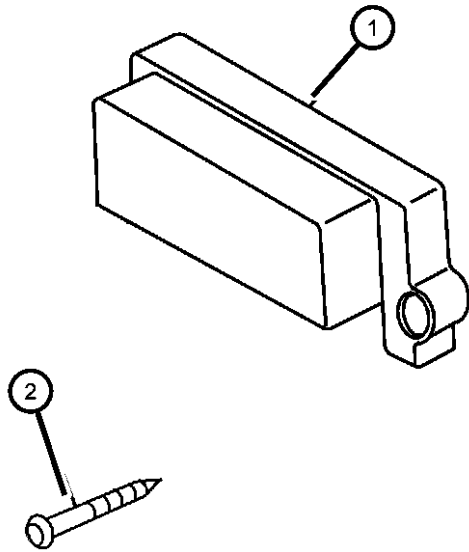
TRANSMISSION
DDD = TRANSMISSION - 5-SPEED
HD MANUAL
DDQ = TRANSMISSION - 5-SPEED
MANUAL
DGD = TRANSMISSION - 3-SPD.
AUTOMATIC,30RH
DGG = TRANSMISSION - 3-SPD.
AUTOMATIC,32RH
DGO = All Automatic Transmissions
DBB = All Manual Transmissions
DDO = All 5 Speed Manual
Transmissions

AR = use ase required - = Non illustrated part

2000 TJ

**Single Board Engine Controllers (JTEC Module)
Figure 8-705**

ITEM	PART NUMBER	QTY	LINE	SERIES	BODY	ENGINE	TRANS	TRIM	DESCRIPTION
	EP0=2.5L Engine ER0=4.0L Engine DG0=Automatic Transmission DBB= Manual Transmission								
1									MODULE, Powertrain Control
	56041645AC	1				EP0	DBB		w/Federal Emission
	56041646AC	1				EP0	DBB		w/California Emission
	56041647AA	1				EP0	DBB		[NAC]
	56041647AC	1				EP0	DBB		w/Export Emission
	56041648AC	1				EP0	DBB		w/Leaded Fuel Emission
	56041649AC	1				EP0	DG0		w/Federal Emission
	56041650AC	1				EP0	DG0		w/California Emission
	56041651AC	1				EP0	DG0		w/Export Emission
	56041652AC	1				ER0	DBB		w/Federal Emission
	56041653AC	1				ER0	DBB		w/California Emission
	56041654AC	1				ER0	DBB		w/Export Emission
	56041655AC	1				ER0	DBB		w/Leaded Fuel Emission
	56041657AC	1				ER0	DG0		w/Federal Emission
	56041658AC	1				ER0	DG0		w/California Emission
	56041659AC	1				ER0	DG0		w/Export Emission
	56041660AC	1				ER0	DG0		w/Leaded Fuel Emission
	56041670AC	1				ER0	DBB		w/Europe III Emission
	56041671AC	1				ER0	DG0		w/Europe III Emission
2	56041671AC	1							SCREW, (.190-16x1.75), (NOT SERVICED),
-3	56041671AC	1							COVER, Module, (NOT REQUIRED)



WRANGLER (TJ)

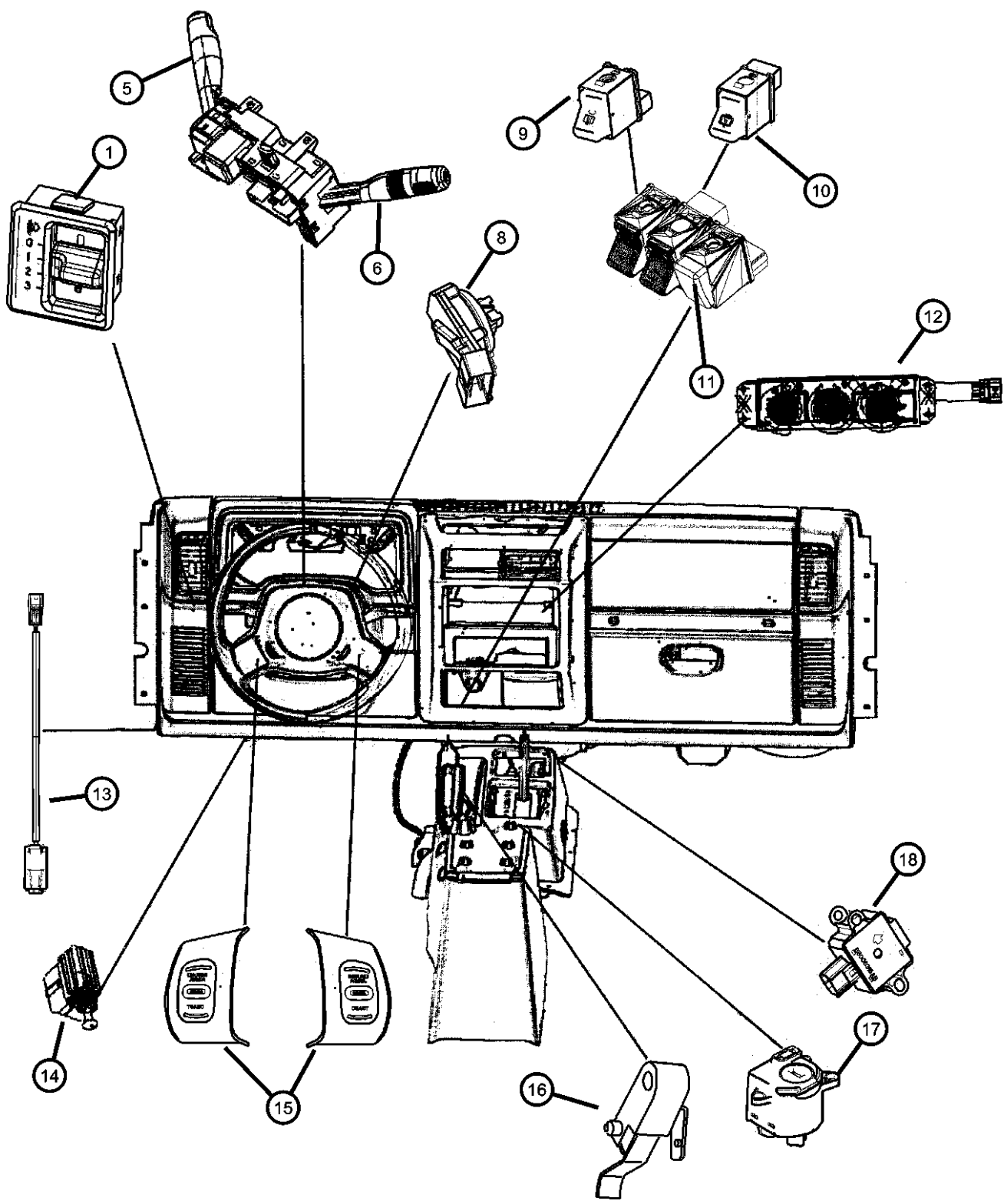
SERIES	LINE
H = Sport	J = Wrangler 4WD
L = SE	U = Wrangler 4WD (RHD)
P = Sahara	

BODY
77 = 93.4 WB

ENGINE
EPE = ENGINE - 2.5L POWER TECH I-4 Cyl.
ERH = ENGINE - 4.0L POWER TECH I-6

TRANSMISSION
DDD = TRANSMISSION - 5-SPEED HD MANUAL
DDQ = TRANSMISSION - 5-SPEED MANUAL
DGD = TRANSMISSION - 3-SPD. AUTOMATIC,30RH
DGG = TRANSMISSION - 3-SPD. AUTOMATIC,32RH
DG0 = All Automatic Transmissions
DBB = All Manual Transmissions
DD0 = All 5 Speed Manual Transmissions

Switches Instrument Panel and Console
Figure 8-805



ITEM	PART NUMBER	QTY	LINE	SERIES	BODY	ENGINE	TRANS	TRIM	DESCRIPTION
------	-------------	-----	------	--------	------	--------	-------	------	-------------

EP0=2.5L Engine
 ER0=4.0L Engine
 DG0=Automatic Transmission
 DDD=Manual Transmission 5 Speed
 DDQ=Manual Transmission 5 Speed (Heavy Duty)
 DBB= Manual Transmission

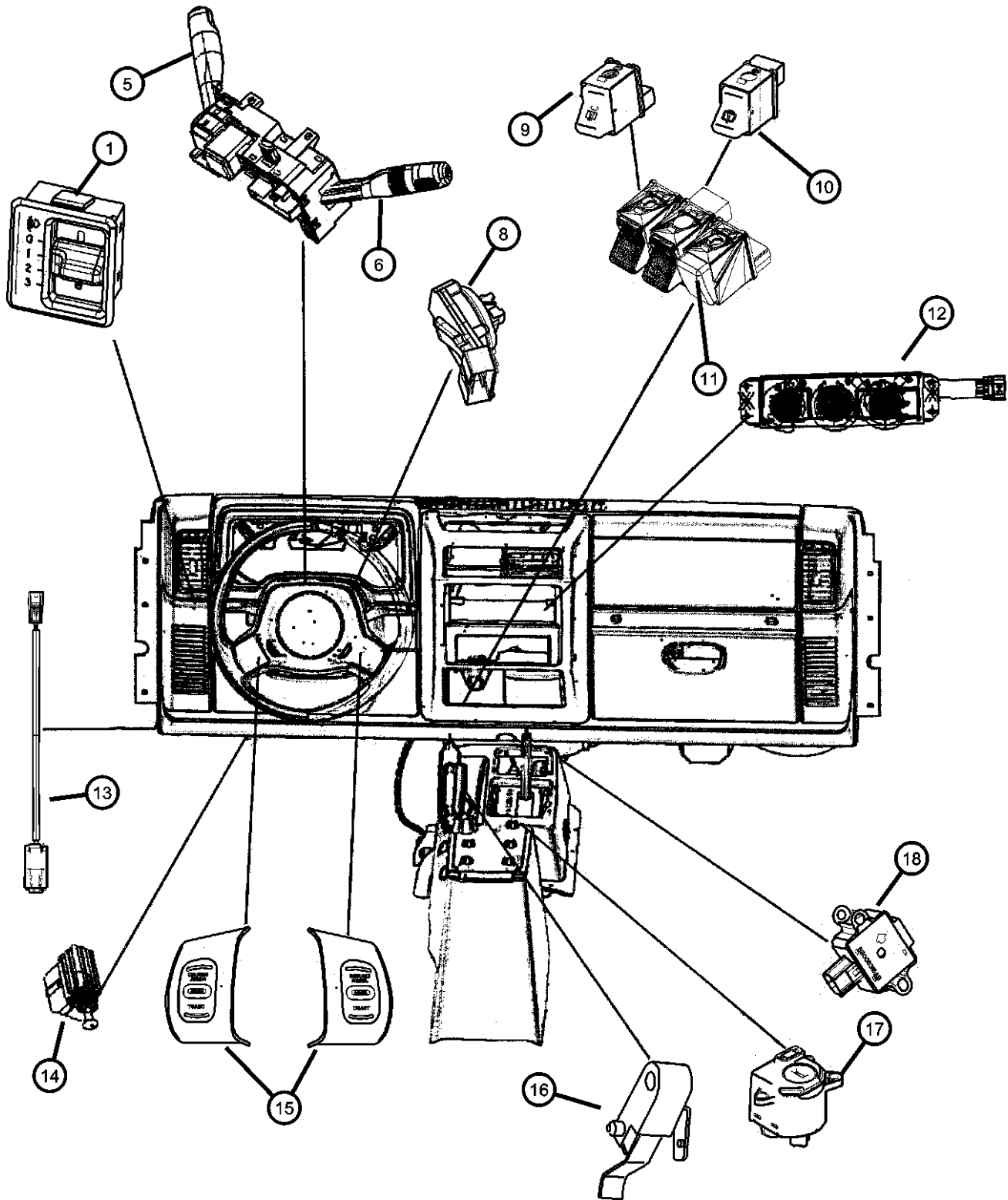
1	56009869AB	1	U						SWITCH, Headlamp
-2	56009640AB	1							SWITCH, Headlamp Leveling
-3	56009032	1							KNOB AND SHAFT, Headlamp Switch
-4	56021893AA	1	U						RETAINER, Headlamp Switch
		1	J						Threaded nut switch mounting
5	56010315AA	1					DG0		SWITCH, Multifunction, Left Stalk Includes Interior Lights, Exterior Lights (High/Low) & Turn Signal Controls
		1					DBB		
6	04793313	1					DG0		SWITCH, Intermittent Wiper, Right Stalk Includes Windshield Washer & Wiper Functions
		1					DBB		With Variable Intermediate Wiper & Tilt Steering
-7	04661942	1					DG0		SWITCH, Windshield Wiper
		1					DBB		Without Variable Intermediate Wiper & without Tilt Steering
8	04565326	1					DG0		SWITCH, Ignition
9	56007250	1							SWITCH, Electric Back Light
10	56007249	1							SWITCH, Wiper and Washer, Rear
11	56007329	1							PLUG, Switch Opening

WRANGLER (TJ)

SERIES	LINE	BODY	ENGINE	TRANSMISSION
H = Sport	J = Wrangler 4WD	77 = 93.4 WB	EPE = ENGINE - 2.5L POWER TECH I-4 Cyl.	DDD = TRANSMISSION - 5-SPEED HD MANUAL
L = SE	U = Wrangler 4WD (RHD)		ERH = ENGINE - 4.0L POWER TECH I-6	DDQ = TRANSMISSION - 5-SPEED MANUAL
P = Sahara				DGD = TRANSMISSION - 3-SPD. AUTOMATIC,30RH
				DGG = TRANSMISSION - 3-SPD. AUTOMATIC,32RH
				DG0 = All Automatic Transmissions
				DBB = All Manual Transmissions
				DD0 = All 5 Speed Manual Transmissions

AR = use ase required - = Non illustrated part

Switches Instrument Panel and Console
Figure 8-805



ITEM	PART NUMBER	QTY	LINE	SERIES	BODY	ENGINE	TRANS	TRIM	DESCRIPTION
12	05013832AA	1							SWITCH, A/C and Heater Vacuum With Air Cinditioning
	05013833AA	1							Without Air Cinditioning
13	56009047	1	J				DBB		SWITCH, Clutch Starter Interlock
		1	U				DBB		
14	04671336	1							SWITCH, Stop Lamp
15	56007530AD	1							SWITCH, Speed Control Right
	56007531AD	1							Left
16	52127960	1							SWITCH, Parking Brake
17	56010056AB	1							SWITCH, Passenger Airbag Disarm
18	56006315AB	1							SWITCH, Anti Lock Brake Accelarat

WRANGLER (TJ)

SERIES

H = Sport
L = SE
P = Sahara

LINE

J = Wrangler 4WD
U = Wrangler 4WD (RHD)

BODY

77 = 93.4 WB

ENGINE

EPE = ENGINE - 2.5L POWER
TECH I-4 Cyl.
ERH = ENGINE - 4.0L
POWER TECH I-6

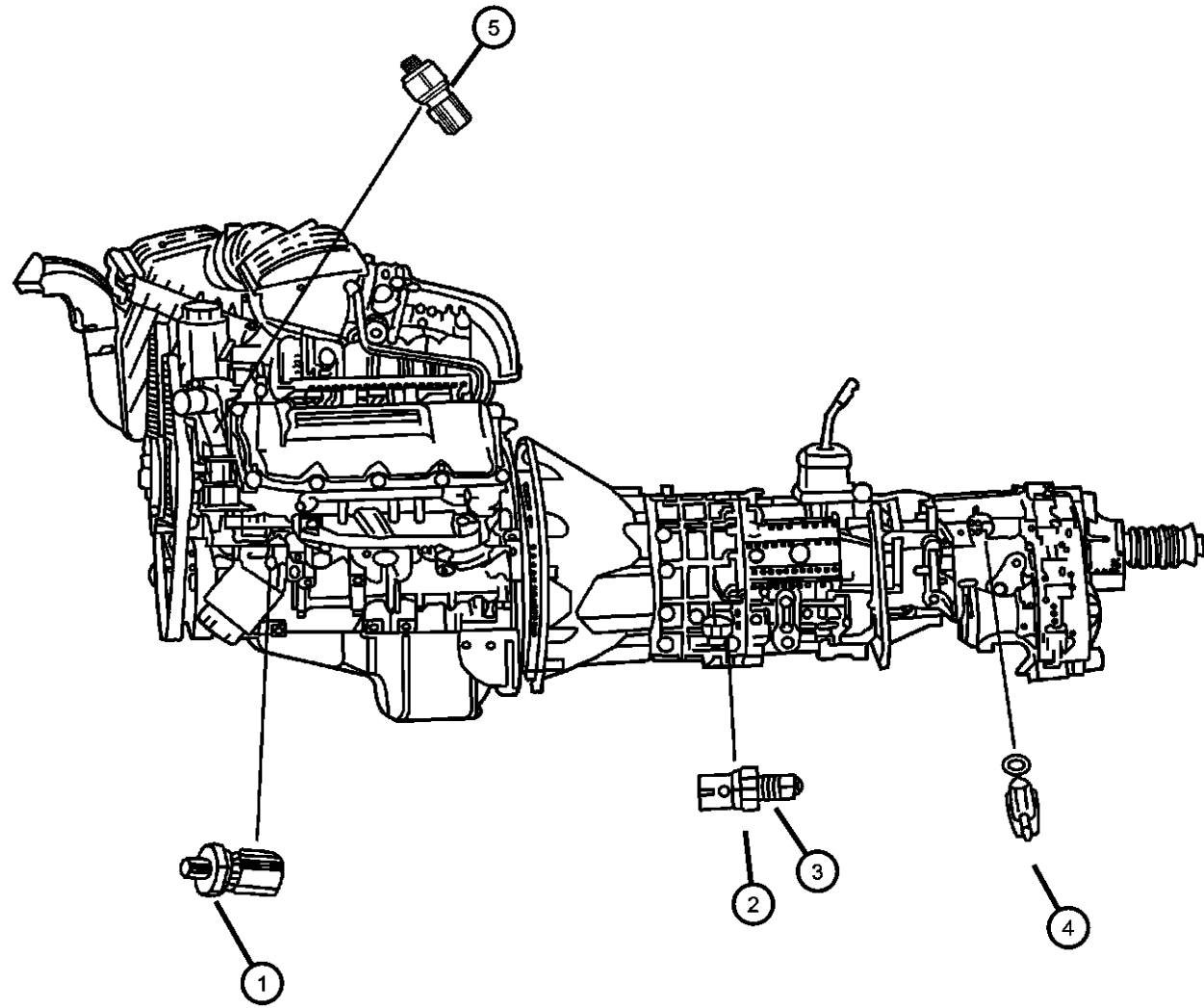
TRANSMISSION

DDD = TRANSMISSION - 5-SPEED
HD MANUAL
DDQ = TRANSMISSION - 5-SPEED
MANUAL
DGD = TRANSMISSION - 3-SPD.
AUTOMATIC,30RH
DGG = TRANSMISSION - 3-SPD.
AUTOMATIC,32RH
DGO = All Automatic Transmissions
DBB = All Manual Transmissions
DDO = All 5 Speed Manual
Transmissions

AR = use ase required - = Non illustrated part

2000 TJ

Switches Drivetrain
Figure 8-810



ITEM	PART NUMBER	QTY	LINE	SERIES	BODY	ENGINE	TRANS	TRIM	DESCRIPTION
[EP0] = 2.5L Engine [ER0] = 4.0L Engine [DBB] = Manual Transmission [DGG] = 3 Speed Automatic Transmission [DGD] = 3 Speed Automatic Transmission [DDD] = 5 Speed Manual Transmission									
1	56028807AA	1				EP0, ER0			SENDING UNIT, Oil Pressure
2	56028181AB	1					DGG		SWITCH, Neutral, Safety, Back Up
3	83500629	1				EP0	DDQ		SWITCH, Back Up Lamp
4	J8134473	1				EP0, ER0	DG0		SWITCH, Transfer Case Mode
5	56027906AB	1	U			EP0			SWITCH, Power Steering
-6	05011214AA	1							SWITCH, Blower Control

WRANGLER (TJ)

SERIES
 H = Sport
 L = SE
 P = Sahara

LINE
 J = Wrangler 4WD
 U = Wrangler 4WD (RHD)

BODY
 77 = 93.4 WB

ENGINE
 EPE = ENGINE - 2.5L POWER
 TECH I-4 Cyl.
 ERH = ENGINE - 4.0L
 POWER TECH I-6

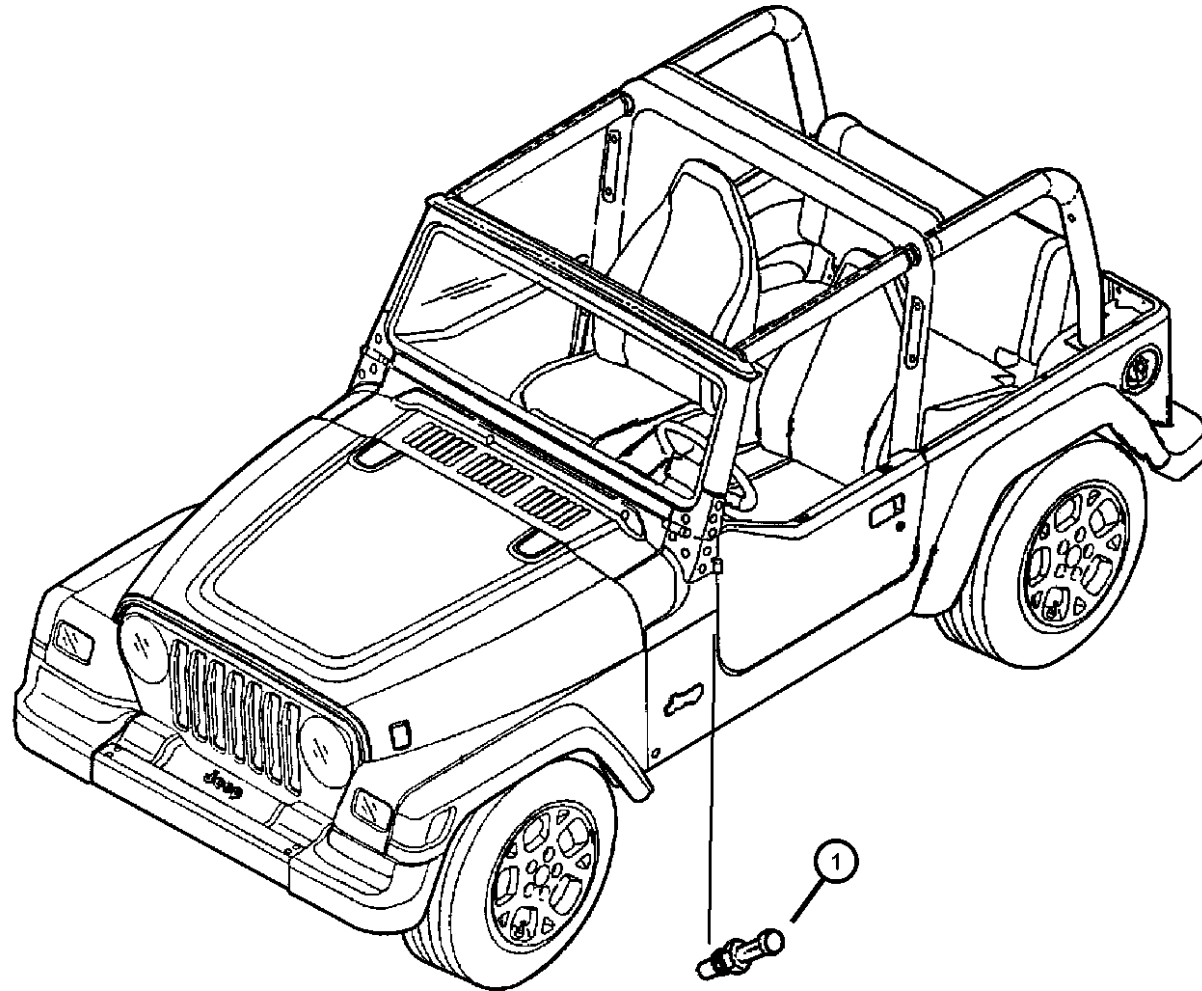
TRANSMISSION
 DDD = TRANSMISSION - 5-SPEED
 HD MANUAL
 DDQ = TRANSMISSION - 5-SPEED
 MANUAL
 DGD = TRANSMISSION - 3-SPD.
 AUTOMATIC,30RH
 DGG = TRANSMISSION - 3-SPD.
 AUTOMATIC,32RH
 DG0 = All Automatic Transmissions
 DBB = All Manual Transmissions
 DD0 = All 5 Speed Manual
 Transmissions

AR = use ase required - = Non illustrated part

2000 TJ

Switches Body
Figure 8-815

ITEM	PART NUMBER	QTY	LINE	SERIES	BODY	ENGINE	TRANS	TRIM	DESCRIPTION
1	04687558	2							SWITCH, Door Ajar



WRANGLER (TJ)

SERIES
H = Sport
L = SE
P = Sahara

LINE
J = Wrangler 4WD
U = Wrangler 4WD (RHD)

BODY
77 = 93.4 WB

ENGINE
EPE = ENGINE - 2.5L POWER
TECH I-4 Cyl.
ERH = ENGINE - 4.0L
POWER TECH I-6

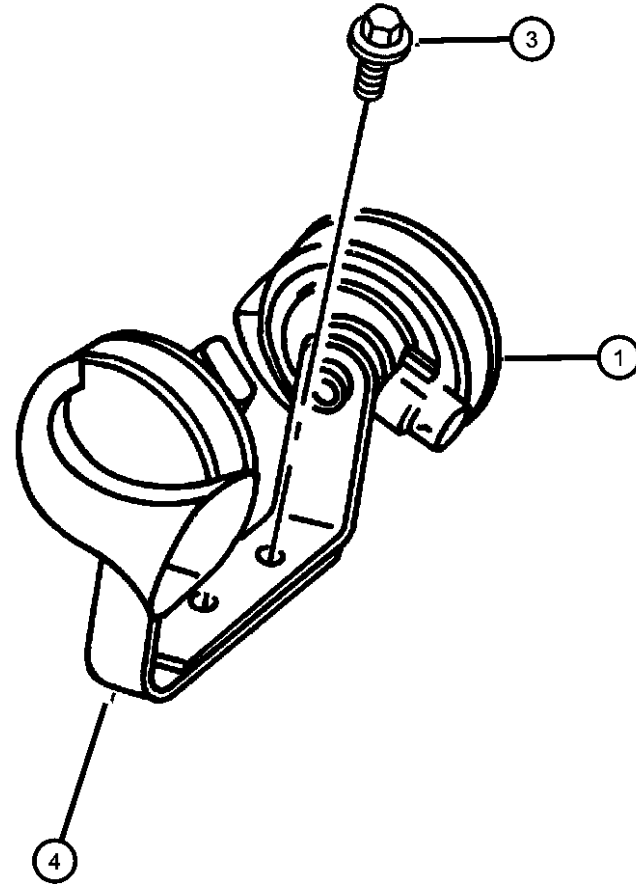
TRANSMISSION
DDD = TRANSMISSION - 5-SPEED
HD MANUAL
DDQ = TRANSMISSION - 5-SPEED
MANUAL
DGD = TRANSMISSION - 3-SPD.
AUTOMATIC,30RH
DGG = TRANSMISSION - 3-SPD.
AUTOMATIC,32RH
DG0 = All Automatic Transmissions
DBB = All Manual Transmissions
DD0 = All 5 Speed Manual
Transmissions

AR = use ase required - = Non illustrated part

2000 TJ

Horns
Figure 8-905

ITEM	PART NUMBER	QTY	LINE	SERIES	BODY	ENGINE	TRANS	TRIM	DESCRIPTION
1	56009769AB	1							HORN, Duel
-2	56009768AC	1							HORN, High Note, (EUROPE)
3	56009768AC	1							SCREW, Tap, M8x1.25x22, (NOT SERVICED)
4	56009768AC	1							BRACKET, Horn Mounting (Serviced In Assembly Item # 1), (NOT SERVICED)



WRANGLER (TJ)

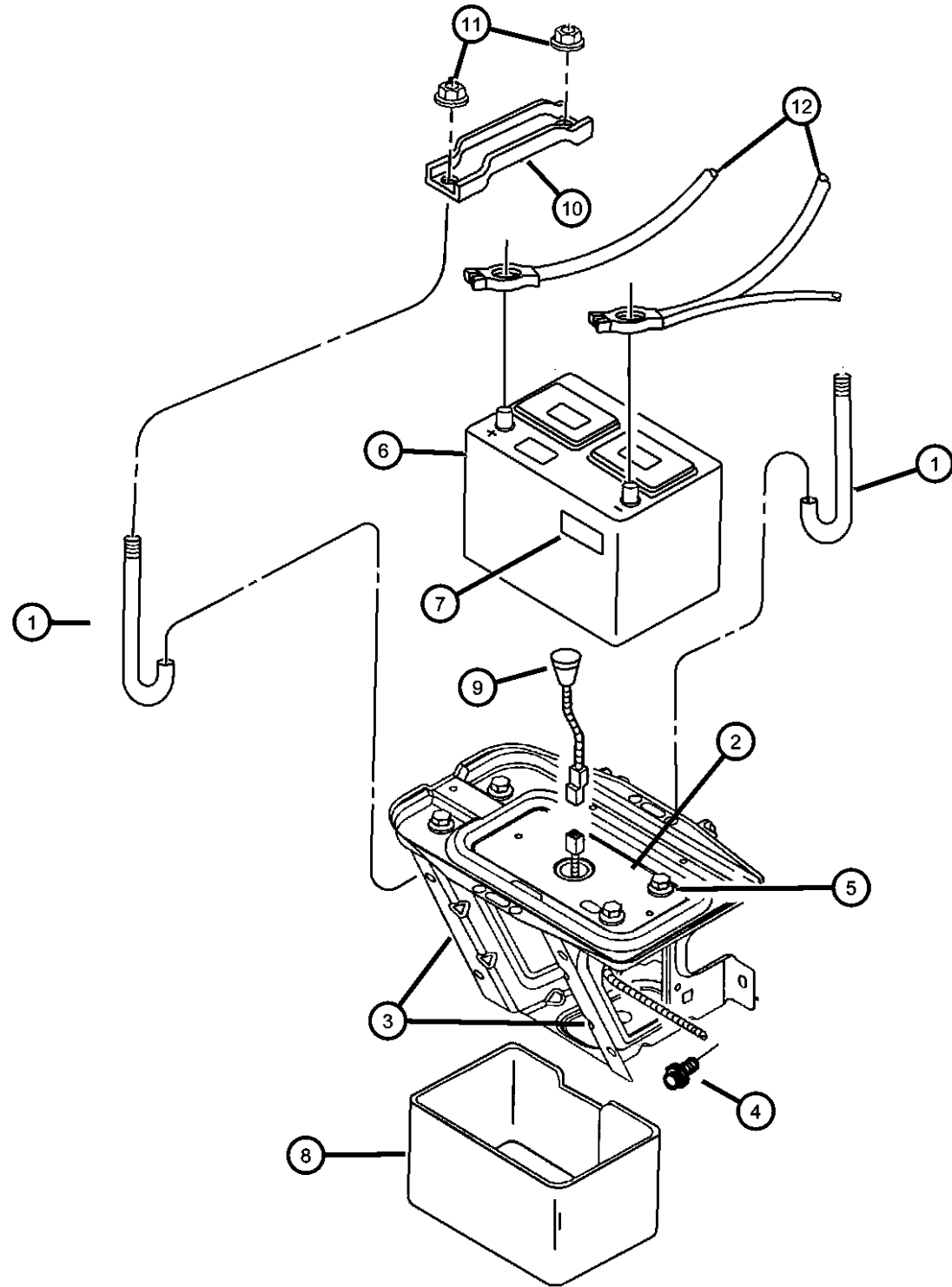
SERIES	LINE
H = Sport	J = Wrangler 4WD
L = SE	U = Wrangler 4WD (RHD)
P = Sahara	

BODY
77 = 93.4 WB

ENGINE
EPE = ENGINE - 2.5L POWER TECH I-4 Cyl.
ERH = ENGINE - 4.0L POWER TECH I-6

TRANSMISSION
DDD = TRANSMISSION - 5-SPEED HD MANUAL
DDQ = TRANSMISSION - 5-SPEED MANUAL
DGD = TRANSMISSION - 3-SPD. AUTOMATIC,30RH
DGG = TRANSMISSION - 3-SPD. AUTOMATIC,32RH
DG0 = All Automatic Transmissions
DBB = All Manual Transmissions
DD0 = All 5 Speed Manual Transmissions

Battery Tray & Cables
Figure 8-1005



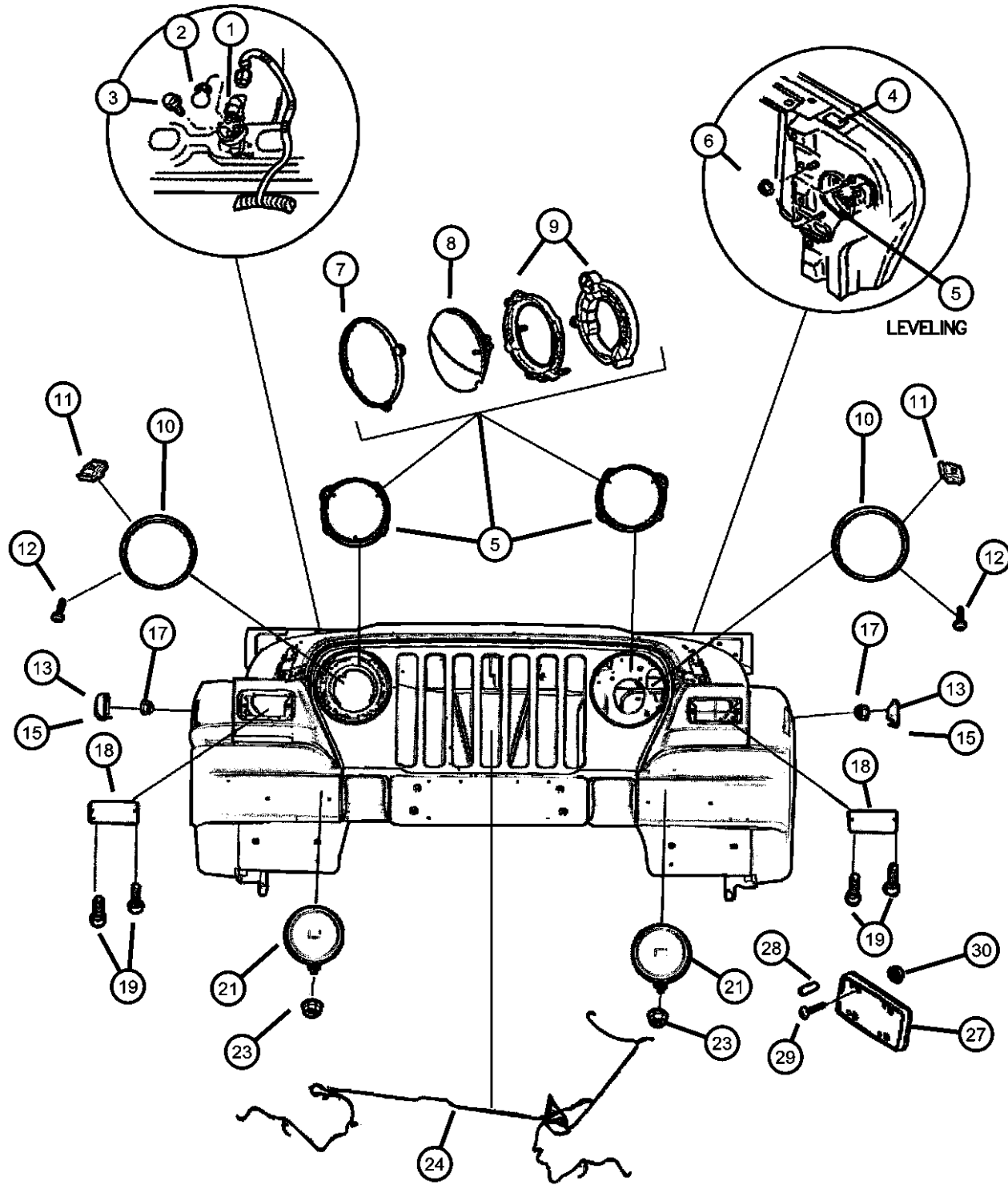
ITEM	PART NUMBER	QTY	LINE	SERIES	BODY	ENGINE	TRANS	TRIM	DESCRIPTION
	[EP0]=2.5L Engine [ER0]=4.0L Engine								
1	55026434	2							ROD, Battery
2	55174728	1							TRAY, Battery
	0VU01205								Repair Battery Terminal End Top Post (Ten Per Box)
	0VU01207								Repair Battery Terminal End Side Post (Ten Per Box)
3									REINFORCEMENT, Battery Tray
	55174782AB	1							Right
	55174783AB	1							Left
4	06100583	4							BOLT AND CONED WASHER, Hex Head, M8x25x20
5	00180077	1							BOLT, Hex Head, 5/16x18x3/4
6	00180077	1							BATTERY, See MOPAR Battery Catalog), (NOT SERVICED)
7	04793062	1				EP0, ER0			LABEL, Battery
8	56027073AB	1				EP0, ER0			COVER, Battery
9	56027332	1							SENSOR, Battery Temperature
10	55014361	1							BRACKET, Battery Hold Down
11	06025007	2							NUT AND WASHER, Hex, .312-18
12									WIRING, Battery
	56041445AD	1	J			EP0			Left Hand Drive
	56041446AD	1	J			ER0			Left Hand Drive
	56041447AC	1	U			EP0			Right Hand Drive
	56041448AD	1	U			ER0			Right Hand Drive
-13	55176426AB	1							PROTECTOR, Wiring
-14	04641780	1							STRAP, Tie

WRANGLER (TJ)

SERIES	LINE	BODY	ENGINE	TRANSMISSION
H = Sport	J = Wrangler 4WD	77 = 93.4 WB	EPE = ENGINE - 2.5L POWER TECH I-4 Cyl.	DDD = TRANSMISSION - 5-SPEED HD MANUAL
L = SE	U = Wrangler 4WD (RHD)		ERH = ENGINE - 4.0L POWER TECH I-6	DDQ = TRANSMISSION - 5-SPEED MANUAL
P = Sahara				DGD = TRANSMISSION - 3-SPD. AUTOMATIC,30RH
				DGG = TRANSMISSION - 3-SPD. AUTOMATIC,32RH
				DG0 = All Automatic Transmissions
				DBB = All Manual Transmissions
				DD0 = All 5 Speed Manual Transmissions

AR = use ase required - = Non illustrated part

Lamps Front
Figure 8-1105



ITEM	PART NUMBER	QTY	LINE	SERIES	BODY	ENGINE	TRANS	TRIM	DESCRIPTION
1	56021441	1							LAMP, Underhood
2	L0000561	1							BULB, 561
3	L0000561	1							SCREW, 0.190-16x.625, (NOT SERVICED)
4	05263188	1							LABEL, Headlamp Leveling, H/Lamp Leveling System (AUSTRALIA, SOUTH AFRICA, SOUTH KOREA, UNITED KINGDOM, UNITED KINGDOM MARKET PACKAGE)
5									HEADLAMP
	04874379	1	J						Europe (Qty. 02)
	04874380	1	U						Europe (Qty. 02)
	55055032AD	1							Right
	55055033AD	1							Left
	55055036AD	1	J						Without Leveling (Europe), Right
	55055037AD	1	J						Without Leveling (Europe), Left
	55055038AD	1	U						Without Leveling (Europe), Right
	55055039AD	1	U						Without Leveling (Europe), Left
	55055040AD	1	J						With Leveling (Europe), Right
	55055041AD	1	J						With Leveling (Europe), Left
	55055250AD	1	U						With Leveling (Europe), Right
	55055251AD	1	U						With Leveling (Europe), Left
6	06101443	6							NUT AND WASHER, Hex, M5x.80
7	04874378	1	U						RETAINER, Headlamp Bulb
8	00154905AA	1							BULB, H6024BL, Sealed Beam, Right or Left
9	00154905AA	1							SEAT, Headlamp, Serviced in Item 5 Headlamp, (NOT SERVICED)
10									BEZEL, Headlamp
	55055046	1							Chrome, Right
	55055047	1							Chrome, Left
11	J4000141	4							NUT, Square, .286x.355Right or Left

WRANGLER (TJ)

SERIES	LINE
H = Sport	J = Wrangler 4WD
L = SE	U = Wrangler 4WD (RHD)
P = Sahara	

BODY
77 = 93.4 WB

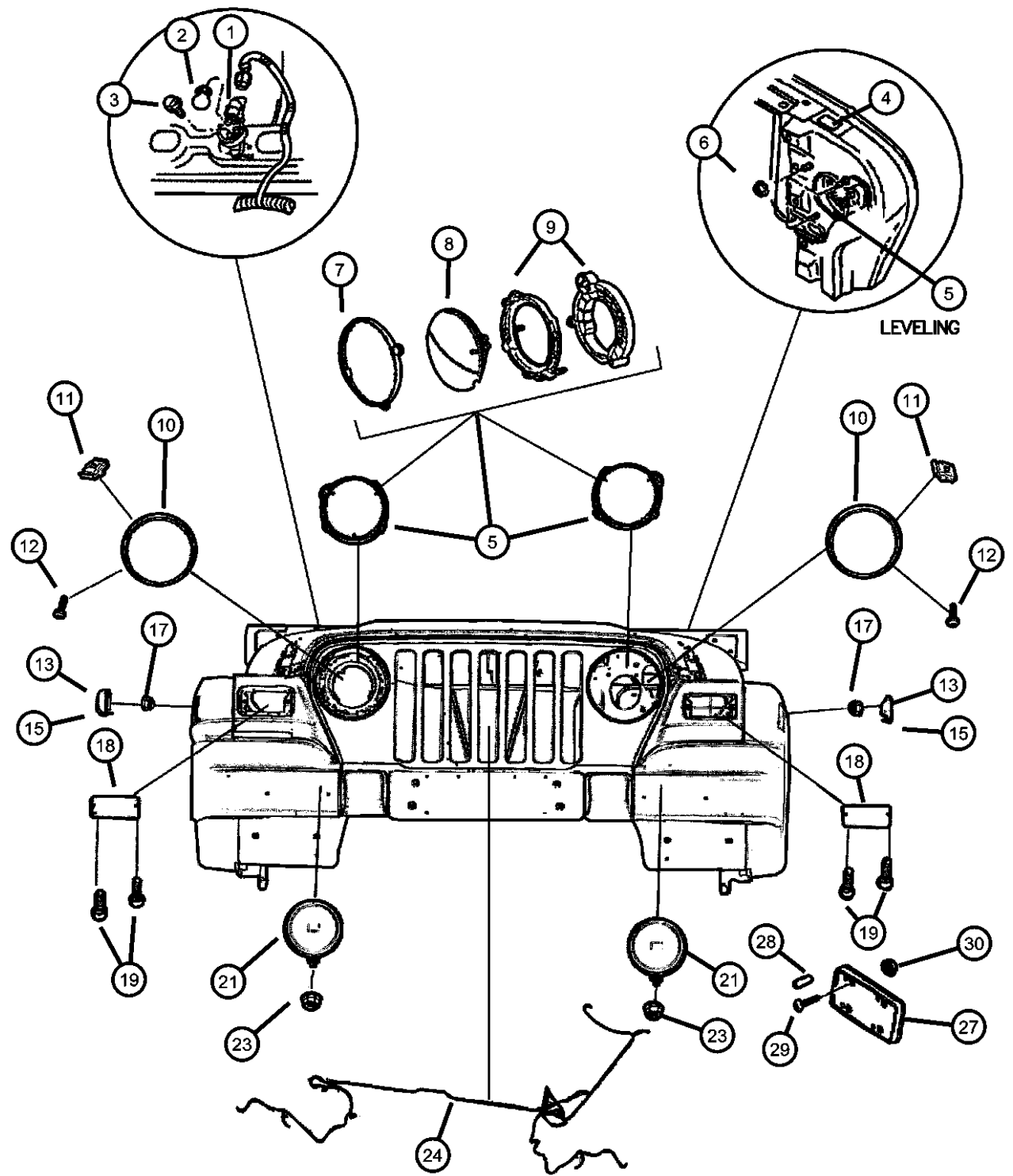
ENGINE
EPE = ENGINE - 2.5L POWER TECH I-4 Cyl.
ERH = ENGINE - 4.0L POWER TECH I-6

TRANSMISSION
DDD = TRANSMISSION - 5-SPEED HD MANUAL
DDQ = TRANSMISSION - 5-SPEED MANUAL
DGD = TRANSMISSION - 3-SPD. AUTOMATIC,30RH
DGG = TRANSMISSION - 3-SPD. AUTOMATIC,32RH
DG0 = All Automatic Transmissions
DBB = All Manual Transmissions
DD0 = All 5 Speed Manual Transmissions

AR = use ase required - = Non illustrated part

2000 TJ

Lamps Front
Figure 8-1105



ITEM	PART NUMBER	QTY	LINE	SERIES	BODY	ENGINE	TRANS	TRIM	DESCRIPTION
12	06035977AA	4							SCREW, Tapping, .164-18x.625
13									LAMP, Side Marker
	55155628AB	1							Right
	55155629AB	1							Left
-14	05288612	2							SOCKET, Side Marker
15									LAMP, Side Repeater
	55155460AB	1							Right
	55155461AB	1							Left
-16	00153624	2							BULB, W3W, Side Repeater or Side Marker
17	00153624	2							NUT, (NOT SERVICED)
18	55055020AE	2							LAMP, Park and Turn Signal
19	06035977AA	4							SCREW, Tapping, .164-18x.625
-20	00154851AA	2							BULB, 3157
21	55055095AF	2							LAMP, Fog
-22	05207799	1							BULB, Fog Lamp, H-3 55 WATT
23	06101445	2							NUT AND WASHER, Hex Nut-Coned Washer, M8 x 1.25
24									WIRING, Headlamp
	56009921AB	1				EP0, ER0			
	56010280AD	1				EP0, ER0			Export
-25	04864773	2							RETAINER, Fog Lamp Bulb
-26	04874382	1	J						ACTUATOR, Headlamp
27	55155764AB	1							BRACKET, License Plate, Export
28	06030441	2	J						PIN, Retainer
29	06030441	2							SCREW, M6X1.00X16.00, (NOT SERVICED)
30	06030441	2							NUT, M6x1.00, (NOT SERVICED)

WRANGLER (TJ)

SERIES LINE BODY ENGINE TRANSMISSION

H = Sport J = Wrangler 4WD 77 = 93.4 WB EPE = ENGINE - 2.5L POWER TECH I-4 Cyl. DDD = TRANSMISSION - 5-SPEED HD MANUAL

L = SE U = Wrangler 4WD (RHD) ERH = ENGINE - 4.0L POWER TECH I-6 DDQ = TRANSMISSION - 5-SPEED MANUAL

P = Sahara DGD = TRANSMISSION - 3-SPD. AUTOMATIC,30RH

 DGG = TRANSMISSION - 3-SPD. AUTOMATIC,32RH

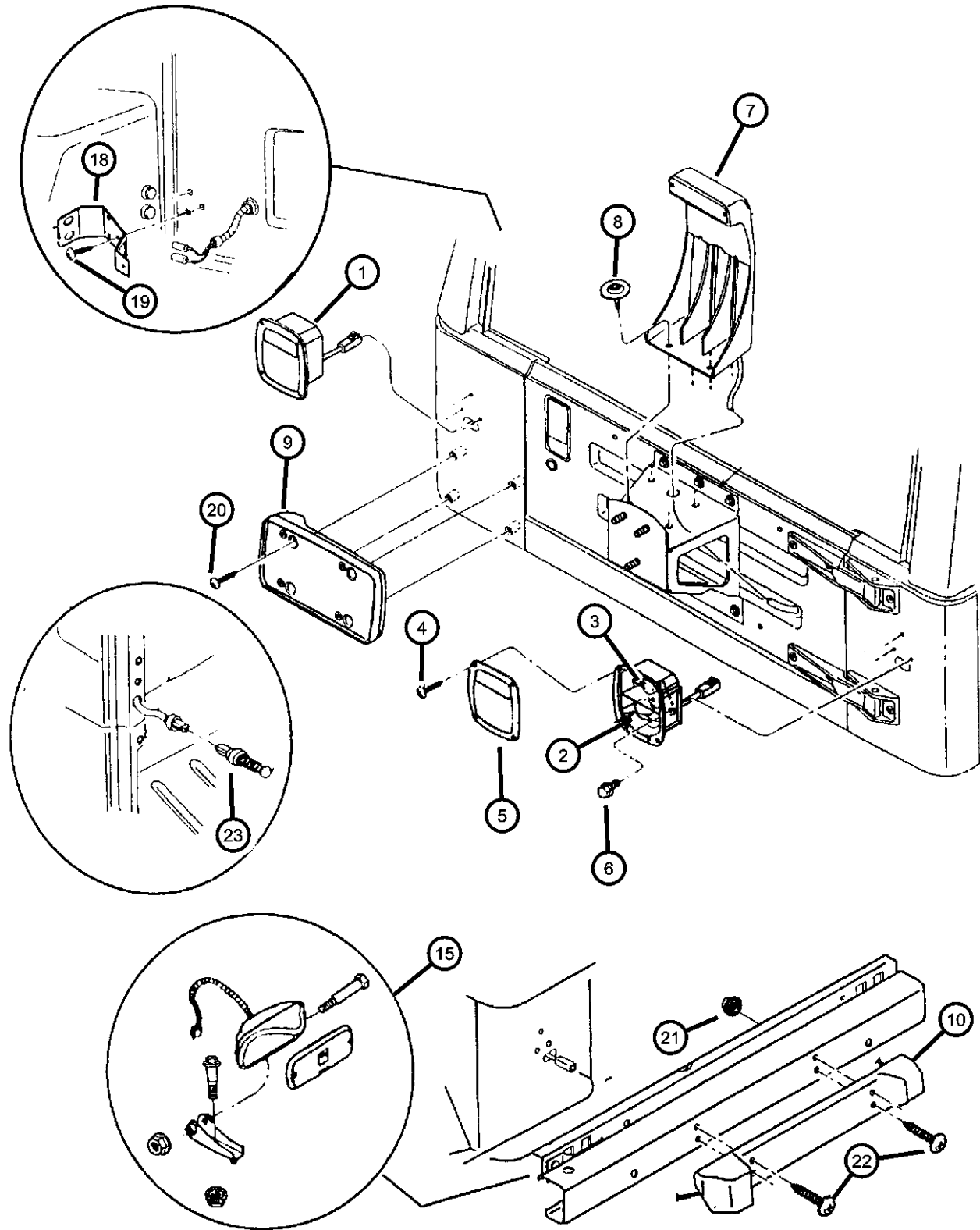
 DG0 = All Automatic Transmissions

 DBB = All Manual Transmissions

 DD0 = All 5 Speed Manual Transmissions

AR = use ase required - = Non illustrated part

Lamps--Rear
Figure 8-1110



ITEM	PART NUMBER	QTY	LINE	SERIES	BODY	ENGINE	TRANS	TRIM	DESCRIPTION
1	55155624AB	2							LAMP, Tail Stop Turn
	56018648AC	1							EUROPE
	56018649AC	1							Right
									Left
2	L0002057	1							BULB, 2057, Tail Lamp Stop & Turn (Dual Filament)
3	L0001156	1							BULB, 1156, Tail Lamp Back-Up (Single Filament)
4	00154632	8							SCREW, Pan Head, .164-18x.625, Lens attaching
5	04856459	2							LENS, Taillamp
									w/Export Package
									AR
	56006514	1							W/o Export Package
6	56006514	1							SCREW/WASHER, (NOT SERVICED),
7	55055280AB	1							LAMP, High Mounted Stop
8	55055280AB	1							SCREW AND WASHER, Hex Head, .312-18x1.00, (NOT SERVICED)
9	55174994	1			H, L, P				BRACKET, License Plate
10	55175106AB	1							BRACKET, LICENSE Mounting, Europe)
-11	55055278	2							LAMP, License
-12	55155767AB	1							BRACKET, License Lamp
-13	00153625	2							BULB, W10/5
-14	55155619	2							LENS, License Lamp
15	55055273	1							LAMP, Fog, Europe (Rear) Red
-16	00153622	1							BULB, P-25-1
-17	04864772	1							LENS, Fog Lamp
18	56009056	1							CLAMP, Contact Button, CHMSL Contact Button
19	00154631	3							SCREW, Pan Head, .190-16x.5
20	00154631	3							SCREW, M6x1x20, (NOT SERVICED)

WRANGLER (TJ)

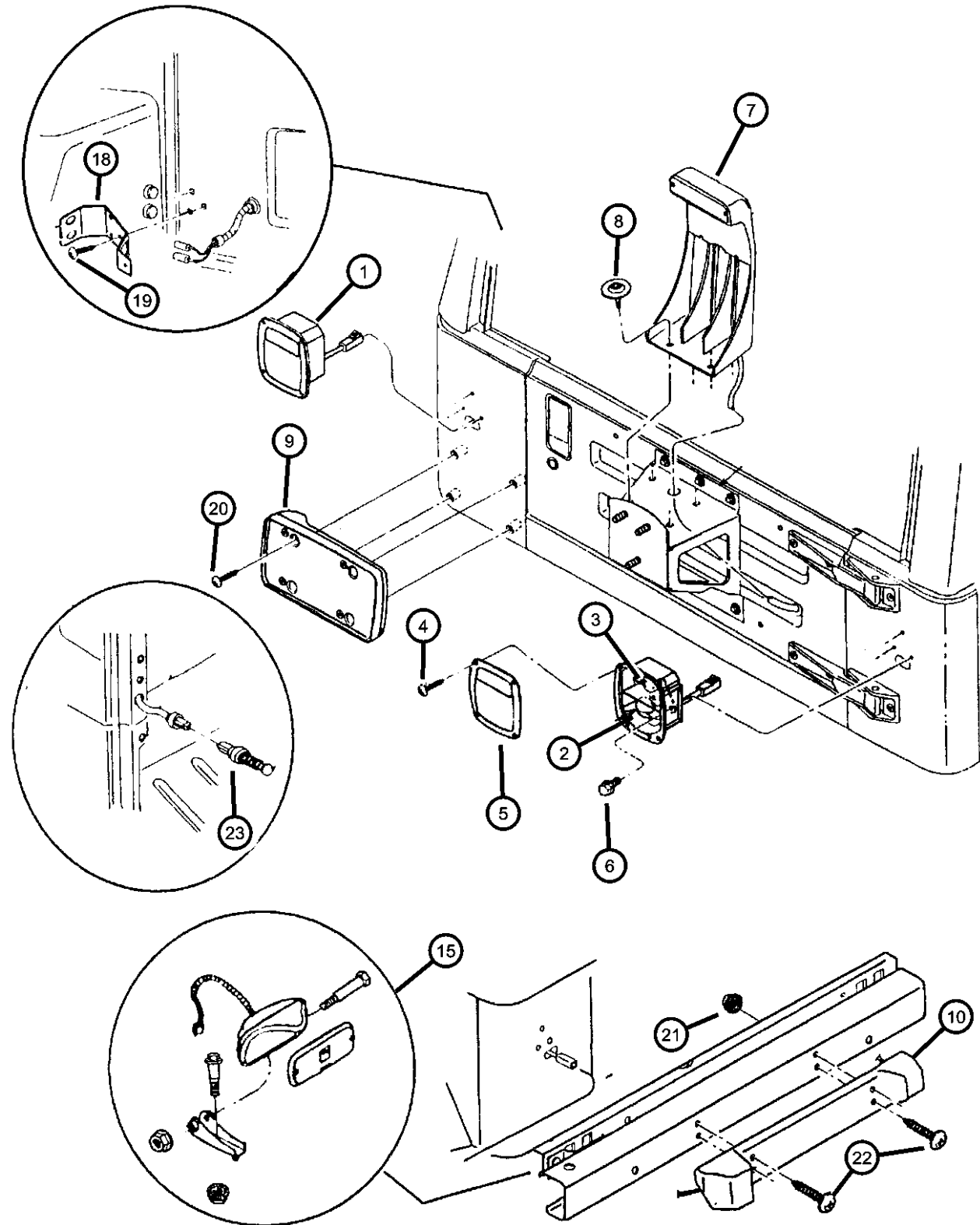
SERIES LINE BODY ENGINE TRANSMISSION
H = Sport J = Wrangler 4WD 77 = 93.4 WB
L = SE U = Wrangler 4WD (RHD)
P = Sahara

EPE = ENGINE - 2.5L POWER TECH I-4 Cyl.
ERH = ENGINE - 4.0L POWER TECH I-6
DDD = TRANSMISSION - 5-SPEED HD MANUAL
DDQ = TRANSMISSION - 5-SPEED MANUAL
DGD = TRANSMISSION - 3-SPD. AUTOMATIC,30RH
DGG = TRANSMISSION - 3-SPD. AUTOMATIC,32RH
DGO = All Automatic Transmissions
DBB = All Manual Transmissions
DDO = All 5 Speed Manual Transmissions

AR = use ase required - = Non illustrated part

2000 TJ

Lamps--Rear
Figure 8-1110



ITEM	PART NUMBER	QTY	LINE	SERIES	BODY	ENGINE	TRANS	TRIM	DESCRIPTION
21	00154631	3							NUT, M6x1.00, (NOT SERVICED)
22	00154631	3							SCREW, M6X1.00X16.00, (NOT SERVICED)
23	04687558	2							SWITCH, Door Ajar

WRANGLER (TJ)

SERIES LINE BODY
H = Sport J = Wrangler 4WD 77 = 93.4 WB
L = SE U = Wrangler 4WD (RHD)
P = Sahara

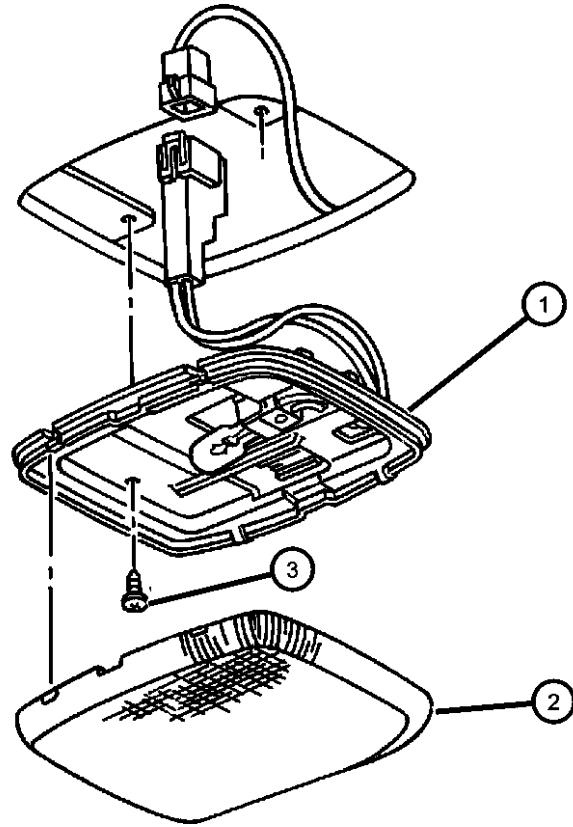
ENGINE TRANSMISSION
EPE = ENGINE - 2.5L POWER TECH I-4 Cyl.
ERH = ENGINE - 4.0L POWER TECH I-6
DDD = TRANSMISSION - 5-SPEED HD MANUAL
DDQ = TRANSMISSION - 5-SPEED MANUAL
DGD = TRANSMISSION - 3-SPD. AUTOMATIC,30RH
DGG = TRANSMISSION - 3-SPD. AUTOMATIC,32RH
DG0 = All Automatic Transmissions
DBB = All Manual Transmissions
DD0 = All 5 Speed Manual Transmissions

AR = use ase required - = Non illustrated part

2000 TJ

Lamps--Cargo-Dome-Courtesy
Figure 8-1115

ITEM	PART NUMBER	QTY	LINE	SERIES	BODY	ENGINE	TRANS	TRIM	DESCRIPTION
1	56007264	1							BEZEL, Dome Lamp
2	56007265	1							LENS, Dome Lamp
3	56007265	1							SCREW, (NOT SERVICED)
-4	J0959978	1							LENS, Dome Lamp
-5	56042559AA	1							LAMP, Courtesy, Lower Left I/Panel (Housing, Lens & Bulb Included)
-6	L0000906	1							BULB, 906, Lower Left I/Panel Courtesy Lamp



WRANGLER (TJ)

SERIES
H = Sport
L = SE
P = Sahara

LINE
J = Wrangler 4WD
U = Wrangler 4WD (RHD)

BODY
77 = 93.4 WB

ENGINE
EPE = ENGINE - 2.5L POWER
TECH I-4 Cyl.
ERH = ENGINE - 4.0L
POWER TECH I-6

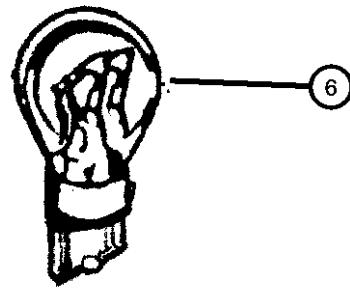
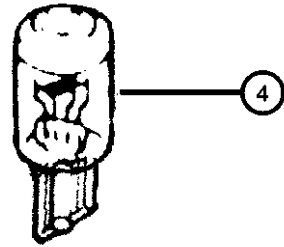
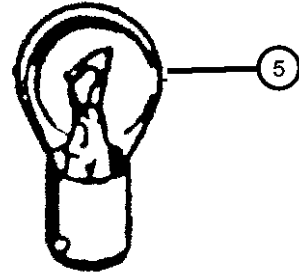
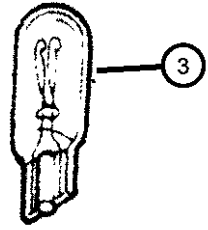
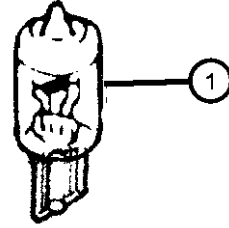
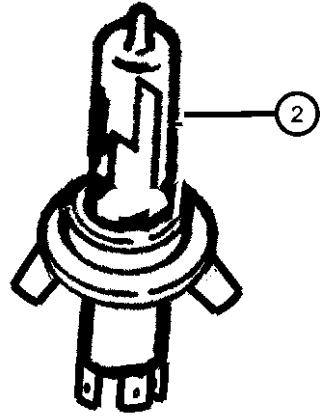
TRANSMISSION
DDD = TRANSMISSION - 5-SPEED
HD MANUAL
DDQ = TRANSMISSION - 5-SPEED
MANUAL
DGD = TRANSMISSION - 3-SPD.
AUTOMATIC,30RH
DGG = TRANSMISSION - 3-SPD.
AUTOMATIC,32RH
DG0 = All Automatic Transmissions
DBB = All Manual Transmissions
DD0 = All 5 Speed Manual
Transmissions

AR = use ase required - = Non illustrated part

2000 TJ

Bulbs & Sockets
Figure 8-1120

ITEM	PART NUMBER	QTY	LINE	SERIES	BODY	ENGINE	TRANS	TRIM	DESCRIPTION
DG0=Automatic Transmission									
1	00153620	1	J						BULB, 8/4
2	00153621	1	J						BULB, Headlamp
3	00153621	1							BULB, 168, (NOT REQUIRED)
4	00154883AA	1							BULB, 921
5	00154883AA	1							BULB, 1003, (NOT REQUIRED)
6	L003157E	2							BULB, 3157
-7	L0000658	1					DG0		BULB, 658
-8	04874122AB	1							BULB AND SOCKET, Graphic Illumination
-9	04874123	1							BULB AND SOCKET, Switch on Indicator
-10	05013829AA	1							BULB, Heater and A/C Control



WRANGLER (TJ)

SERIES	LINE
H = Sport	J = Wrangler 4WD
L = SE	U = Wrangler 4WD (RHD)
P = Sahara	

BODY
77 = 93.4 WB

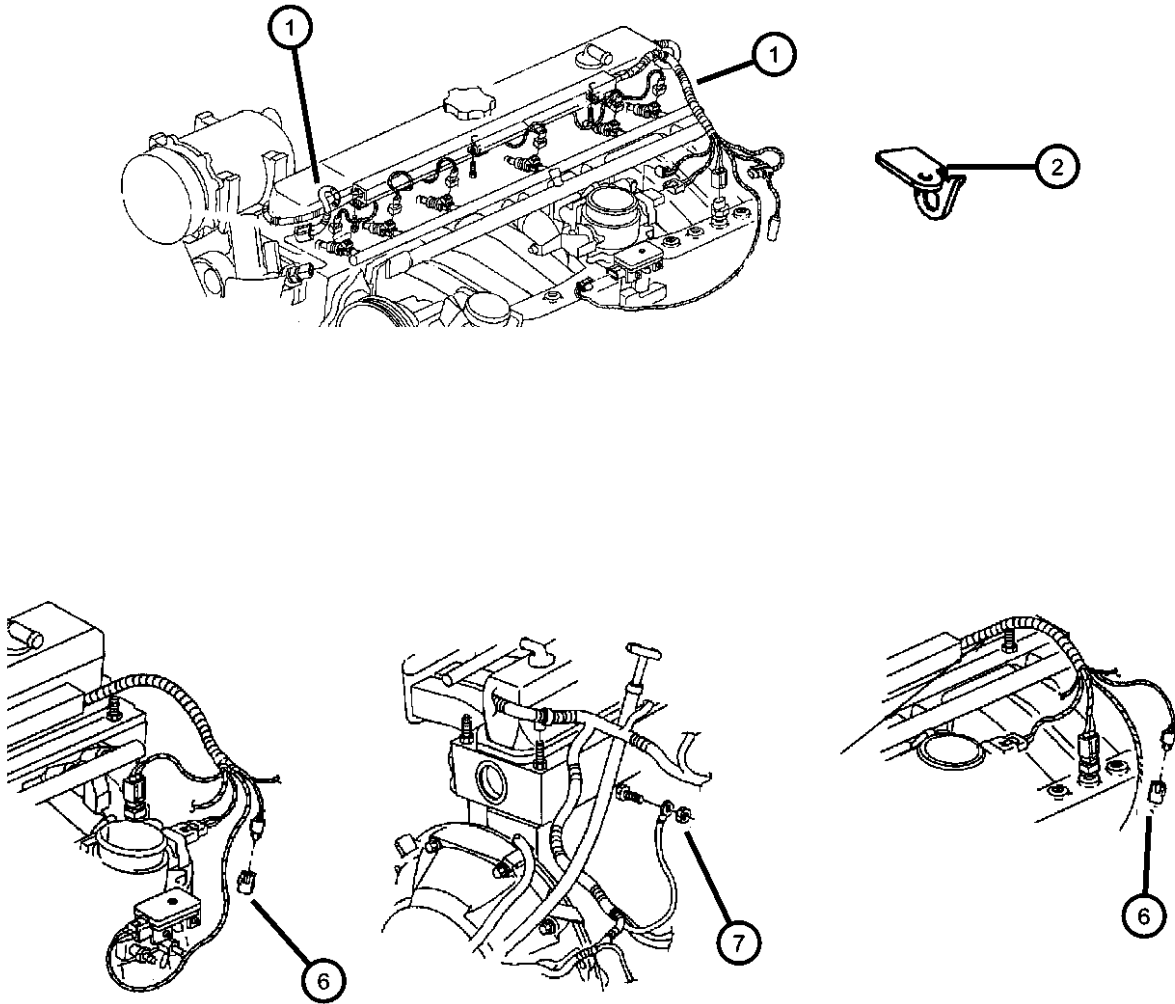
ENGINE
EPE = ENGINE - 2.5L POWER TECH I-4 Cyl.
ERH = ENGINE - 4.0L POWER TECH I-6

TRANSMISSION
DDD = TRANSMISSION - 5-SPEED HD MANUAL
DDQ = TRANSMISSION - 5-SPEED MANUAL
DGD = TRANSMISSION - 3-SPD. AUTOMATIC,30RH
DGG = TRANSMISSION - 3-SPD. AUTOMATIC,32RH
DG0 = All Automatic Transmissions
DBB = All Manual Transmissions
DD0 = All 5 Speed Manual Transmissions

AR = use ase required - = Non illustrated part

2000 TJ

**Wiring--Engine & Related Parts
Figure 8-1205**

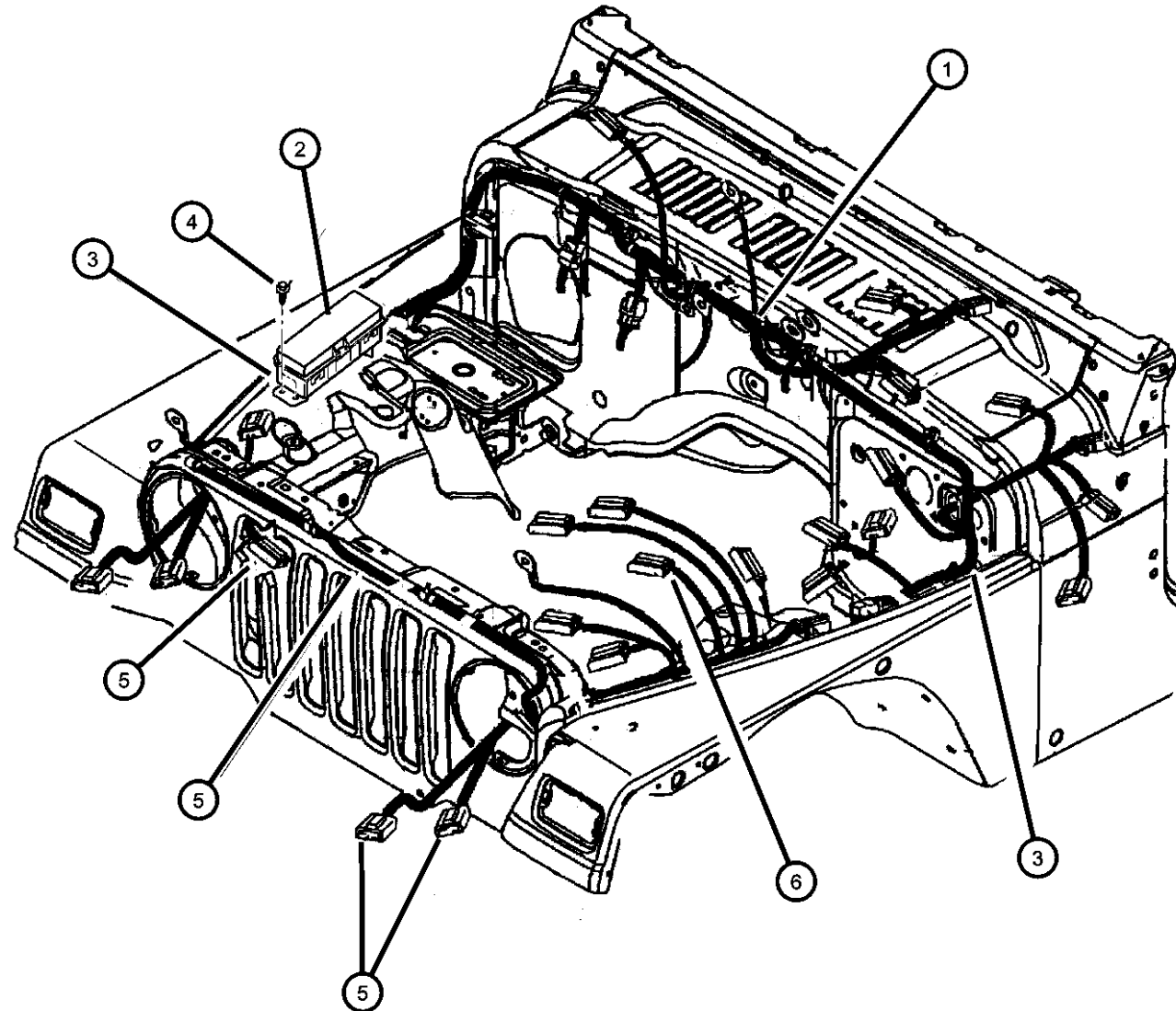


ITEM	PART NUMBER	QTY	LINE	SERIES	BODY	ENGINE	TRANS	TRIM	DESCRIPTION
EP0=2.5L Engine ER0=4.0L Engine DG0=Automatic Transmission DBB= Manual Transmission									
1									WIRING, Engine, Transmission Wiring Included
	56041440AG	1	U			ER0			w/o ABS (Federal/Export/Leaded Fuel & Europe III Emission
	56041441AD	1	U			EP0			w/o ABS
	56041442AG	1	J			ER0			w/ABS (Federal/Export/Leaded Fuel & Europe III Emission
	56041443AG	1	J			ER0			w/o ABS (Federal/Export/Leaded Fuel & Europe III Emission
	56041444AD	1	J			EP0			
	56041455AC	1	U			ER0			w/o ABS (California/Europe III Emissions
	56041473AC	1	J			ER0			w/ABS (California/Europe III Emissions
	56041474AC	1	J			ER0			w/o ABS (California/Europe III Emissions
2	53008550	1							CLIP, Wire Attaching
-3	56018581	1				ER0	DBB		STRAP, Tie, Wiring & Clip
-4									WIRING, Transmission Jumper
	56010211AD	1					DBB		
	56010212AB	1					DG0		
-5	56009433	2							CAP, Screw Cover
6	56009087	1				EP0, ER0			PLUG, Oxygen Sensor, ASSEMBLY, O2 Sensor (Downstream) (MIDDLE EAST, MIDDLE EAST PACKAGE)
7	56009087	1							NUT AND WASHER, .312-18, (NOT SERVICED)
-8	04688733	1				EP0, ER0			INSULATOR, 4 Way Female, O2 Sensor Plug (MIDDLE EAST, MIDDLE EAST PKGE.) *** 1997

WRANGLER (TJ)				
SERIES	LINE	BODY	ENGINE	TRANSMISSION
H = Sport	J = Wrangler 4WD	77 = 93.4 WB	EPE = ENGINE - 2.5L POWER TECH I-4 Cyl.	DDD = TRANSMISSION - 5-SPEED HD MANUAL
L = SE	U = Wrangler 4WD (RHD)		ERH = ENGINE - 4.0L POWER TECH I-6	DDQ = TRANSMISSION - 5-SPEED MANUAL
P = Sahara				DGD = TRANSMISSION - 3-SPD. AUTOMATIC,30RH
				DGG = TRANSMISSION - 3-SPD. AUTOMATIC,32RH
				DG0 = All Automatic Transmissions
				DBB = All Manual Transmissions
				DD0 = All 5 Speed Manual Transmissions

AR = use ase required - = Non illustrated part

Wiring--Headlamp / Dash Panel
Figure 8-1305



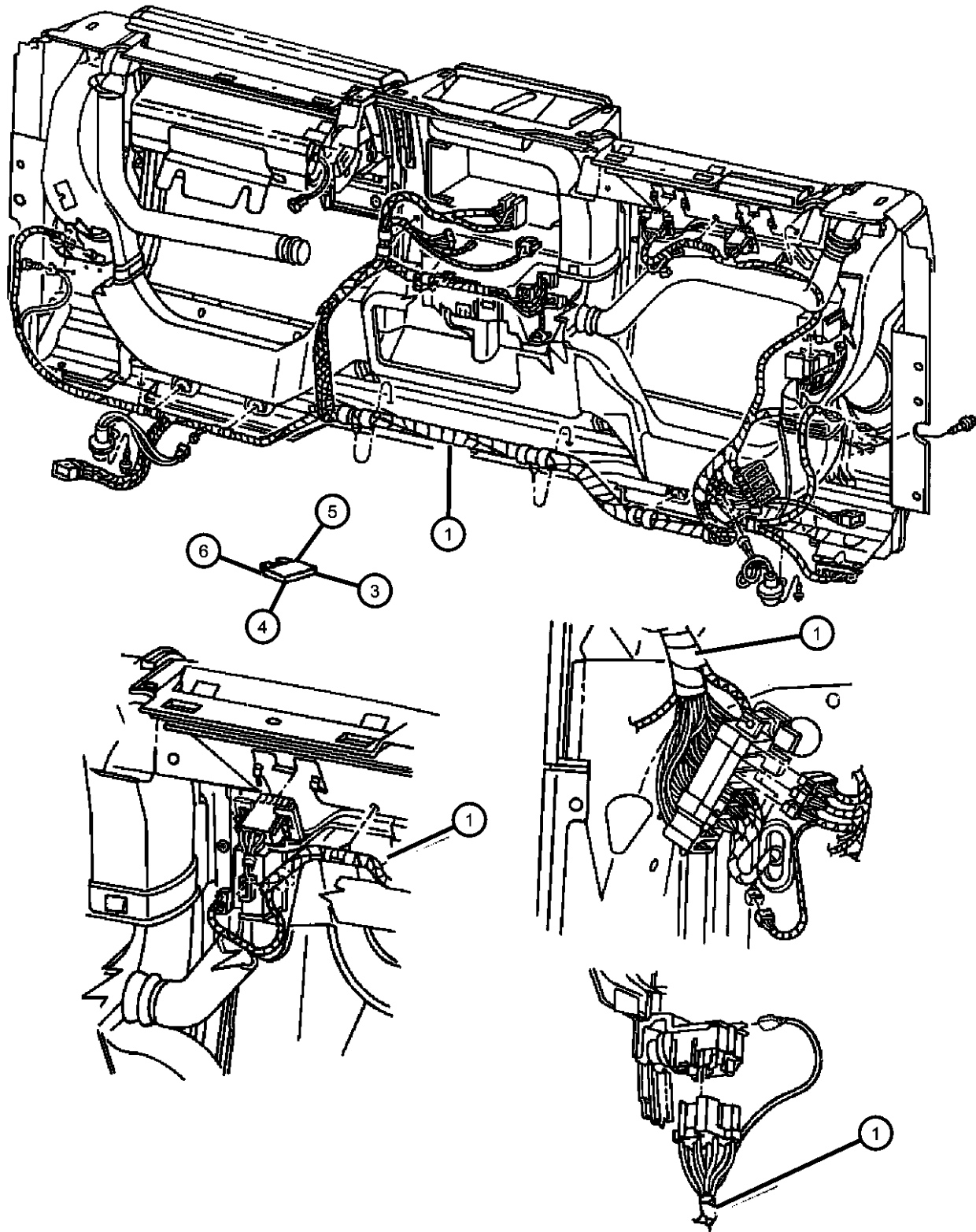
ITEM	PART NUMBER	QTY	LINE	SERIES	BODY	ENGINE	TRANS	TRIM	DESCRIPTION
	[EP0]=2.5L Engine [ER0]=4.0L Engine								
1									WIRING, Dash Panel
	56009635AG	1	U						
	56009980AF	1	J						without [ABS] (Canada)
	56009981AF	1	J						with [ABS] (Canada)
	56010282AF	1	J			ER0			with [ABS] (with Federal/California/Leaded Fuel & Export Emission)
	56010285AF	1	J			EP0, ER0			without [ABS] (with Federal & Leaded Fuel Emission)
	56010350AD	1	J			EP0, ER0			without [ABS] (with California Emission)
		1	J			EP0, ER0			without [ABS] & with Automatic Speed Control
2									COVER, Power Distribution Center
	56009713AF	1							Top
	56047000AA	1							Bottom
3	56010210AA	1							BRACKET, Power Distribution Center
4	56010210AA	1							SCREW, M6.3x1.81x20, Tapping (M6.3x1.81x20.00) Not Serv., (NOT SERVICED)
5									WIRING, Headlamp
	56009921AB	1				EP0, ER0			with or without Dual Foglamp
	56010280AD	1				EP0, ER0			Europe
6	56010280AD	1							WIRING, Park Lamp Jumper, (NOT REQUIRED),
-7									BRACKET, Wiring Harness
	56009901AA	1	U						Battery & Engine
	56019684AB	1	U						Side Cowl
	56019685AB	1	J						Side Cowl
-8	56019685AB	1							WIRING, Headlamp and Dash, (NOT REQUIRED),

WRANGLER (TJ)

SERIES	LINE	BODY	ENGINE	TRANSMISSION
H = Sport	J = Wrangler 4WD	77 = 93.4 WB	EPE = ENGINE - 2.5L POWER TECH I-4 Cyl.	DDD = TRANSMISSION - 5-SPEED HD MANUAL
L = SE	U = Wrangler 4WD (RHD)		ERH = ENGINE - 4.0L POWER TECH I-6	DDQ = TRANSMISSION - 5-SPEED MANUAL
P = Sahara				DGD = TRANSMISSION - 3-SPD. AUTOMATIC,30RH
				DGG = TRANSMISSION - 3-SPD. AUTOMATIC,32RH
				DG0 = All Automatic Transmissions
				DBB = All Manual Transmissions
				DD0 = All 5 Speed Manual Transmissions

AR = use ase required - = Non illustrated part

Wiring Instrument Panel & Fuses
Figure 8-1405



ITEM	PART NUMBER	QTY	LINE	SERIES	BODY	ENGINE	TRANS	TRIM	DESCRIPTION
------	-------------	-----	------	--------	------	--------	-------	------	-------------

DG0=Automatic Transmission

1									WIRING, Instrument Panel
	56010104AH	1	J						Soft Top
	56010108AH	1	J						Hard Top
	56010131AH	1	J						Europe
	56010205AH	1	U						Europe
-2	56009391AF	1							LABEL, Fuse Block
3	06102077AA	1							FUSE CARTRIDGE, 40 Amp
4	06101486	1							FUSE, Mini, 10 AMP, Red
5	06101488	1					DG0		FUSE, Mini, 20 AMP, Yellow
6	000MAX40	1							FUSE, Maxi, 40 AMP, Amber
-7									FLASHER
	56009339	1							USA/CANADA
	56009345	1							EUROPE

WRANGLER (TJ)

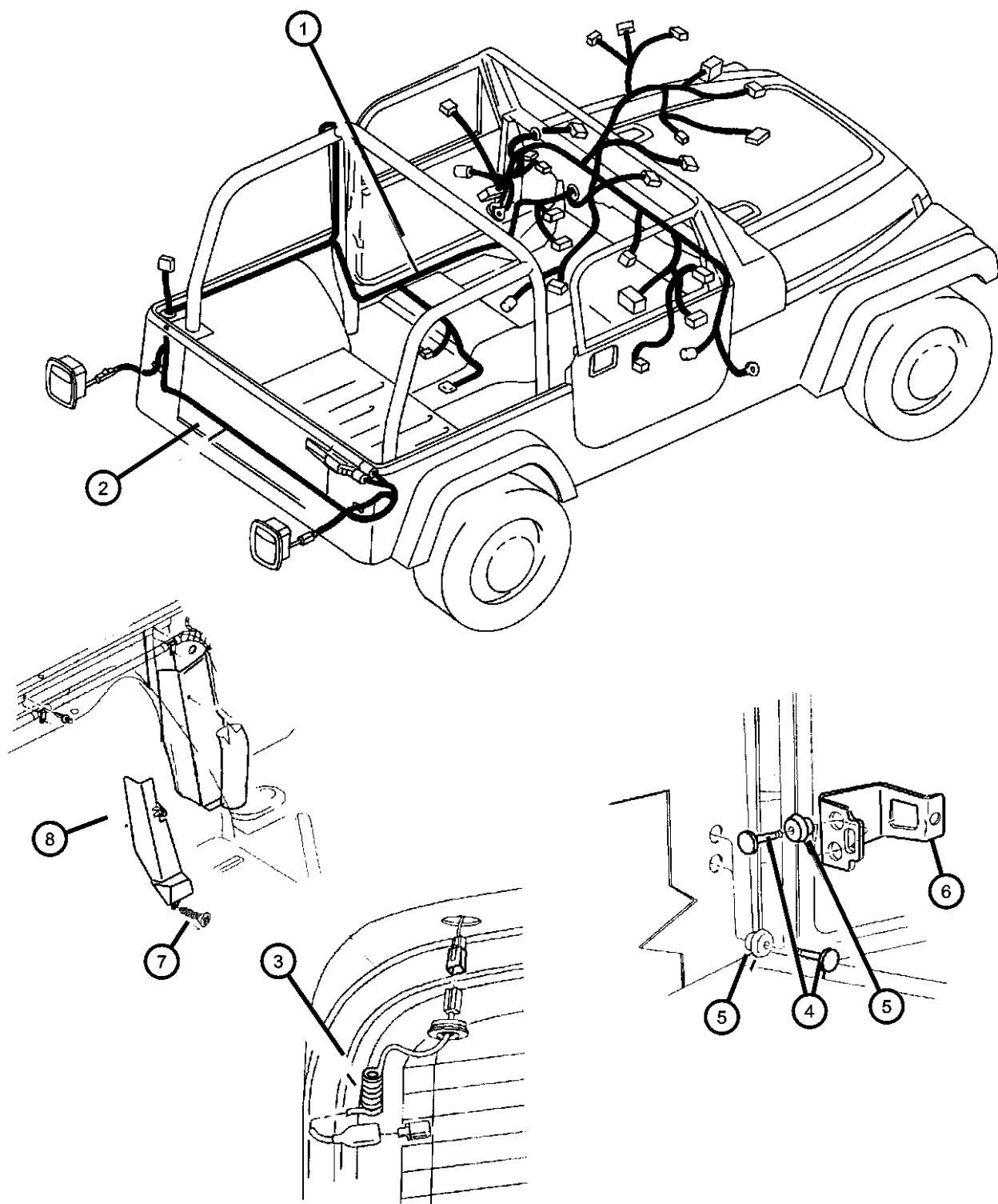
SERIES	LINE	BODY
H = Sport	J = Wrangler 4WD	77 = 93.4 WB
L = SE	U = Wrangler 4WD (RHD)	
P = Sahara		

ENGINE	TRANSMISSION
EPE = ENGINE - 2.5L POWER TECH I-4 Cyl.	DDD = TRANSMISSION - 5-SPEED HD MANUAL
ERH = ENGINE - 4.0L POWER TECH I-6	DDQ = TRANSMISSION - 5-SPEED MANUAL
	DGD = TRANSMISSION - 3-SPD. AUTOMATIC,30RH
	DGG = TRANSMISSION - 3-SPD. AUTOMATIC,32RH
	DG0 = All Automatic Transmissions
	DBB = All Manual Transmissions
	DD0 = All 5 Speed Manual Transmissions

AR = use ase required - = Non illustrated part

2000 TJ

Wiring--Body & Accessory
Figure 8-1505



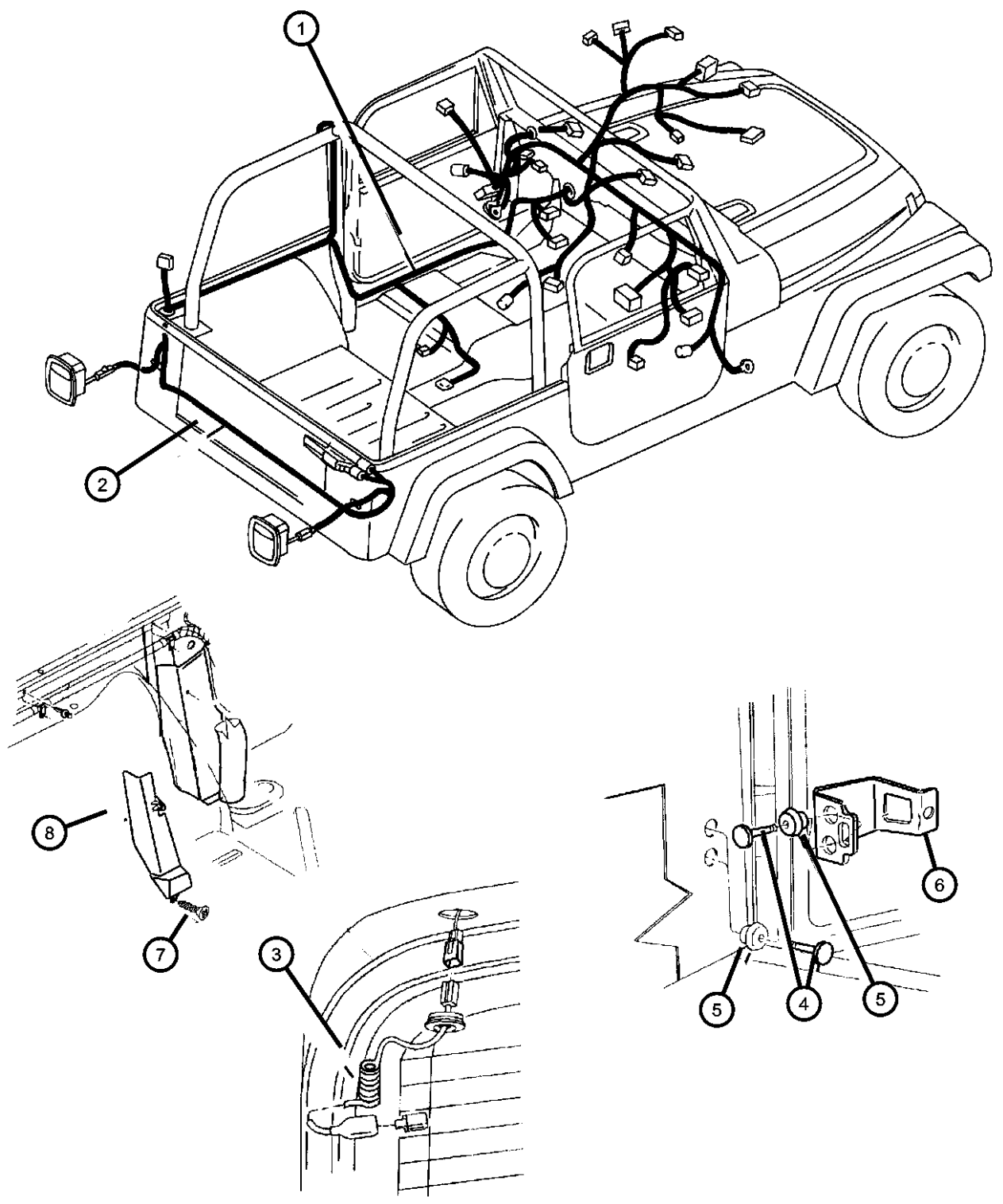
ITEM	PART NUMBER	QTY	LINE	SERIES	BODY	ENGINE	TRANS	TRIM	DESCRIPTION
[EP0]=2.5L Engine [ER0]=4.0L Engine									
1									WIRING, Crossbody
	56009508AJ	1	J						without Dual Road Foglamp
	56009510AJ	1	J						(EUROPE)
	56009878AJ	1	U						(EUROPE)
	56009509AJ	1	J						with Dual Road Foglamp
2									WIRING, Rear Body
	56009876AD	1	U						Hard Top (EUROPE)
	56009877AD	1	U						Soft Top (EUROPE)
	56010160AC	1	J						Hard Top (EUROPE)
	56010161AC	1	J						Soft Top (EUROPE)
	56010162AD	1							Hard Top with 4 Speakers
	56010164AD	1	J						Soft Top with 4 Speakers
3	56009120AC	2							WIRING, Electric Back Light
4	04362012	4							TERMINAL, CHMSL Contact Button
5	06031562	2							GROMMET, Sliding Door
6	56009056	1							CLAMP, Contact Button
7	00154552	2							SCREW, Hex Head, .190-16x.625, Piercing
8	55217194AB	1							COVER, Wiring Protector
-9	55352706AA	1							COVER, Wiring Protector
-10	55352706AA	1							WIRING, Courtesy Lamp, (NOT REQUIRED)
-11	56009085	1							WIRING, Rear Bumper
-12	56009377AB	1							WIRING, Hardtop
-13	05013744AA	1	J						WIRING, Air Conditioning Module
-14									WIRING, Blower Motor, High Speed Relay
	04874085	1	U						
		1	J						

WRANGLER (TJ)				
SERIES	LINE	BODY	ENGINE	TRANSMISSION
H = Sport	J = Wrangler 4WD	77 = 93.4 WB	EPE = ENGINE - 2.5L POWER TECH I-4 Cyl.	DDD = TRANSMISSION - 5-SPEED HD MANUAL
L = SE	U = Wrangler 4WD (RHD)		ERH = ENGINE - 4.0L POWER TECH I-6	DDQ = TRANSMISSION - 5-SPEED MANUAL
P = Sahara				DGD = TRANSMISSION - 3-SPD. AUTOMATIC,30RH
				DGG = TRANSMISSION - 3-SPD. AUTOMATIC,32RH
				DG0 = All Automatic Transmissions
				DBB = All Manual Transmissions
				DD0 = All 5 Speed Manual Transmissions

AR = use ase required - = Non illustrated part

**Wiring--Body & Accessory
Figure 8-1505**

ITEM	PART NUMBER	QTY	LINE	SERIES	BODY	ENGINE	TRANS	TRIM	DESCRIPTION
-15		1							WIRING, Speed Control Switch Jumper, (NOT REQUIRED)
-16	56009924AB	1	J			EP0, ER0			WIRING, Leak Detection Pump Jumper
-17	56009924AB	1							WIRING, Control, Cruise, (NOT REQUIRED)
-18	56009896AA	1							WIRING, Soundbar Adapter, Soundbar (Jumper) EUROPE
-19	56009939AA	1							WIRING, Jumper
-20	56009333AB	3							CLIP, Wire Attaching (Clip)
-21	56009338AB	3							RIVET



WRANGLER (TJ)

SERIES	LINE
H = Sport	J = Wrangler 4WD
L = SE	U = Wrangler 4WD (RHD)
P = Sahara	

BODY
77 = 93.4 WB

ENGINE
EPE = ENGINE - 2.5L POWER TECH I-4 Cyl.
ERH = ENGINE - 4.0L POWER TECH I-6

TRANSMISSION
DDD = TRANSMISSION - 5-SPEED HD MANUAL
DDQ = TRANSMISSION - 5-SPEED MANUAL
DGD = TRANSMISSION - 3-SPD. AUTOMATIC,30RH
DGG = TRANSMISSION - 3-SPD. AUTOMATIC,32RH
DG0 = All Automatic Transmissions
DBB = All Manual Transmissions
DD0 = All 5 Speed Manual Transmissions

AR = use ase required - = Non illustrated part

2000 TJ

**Wiring Repair Packages
Figure 8-1605**

ITEM	PART NUMBER	QTY	LINE	SERIES	BODY	ENGINE	TRANS	TRIM	DESCRIPTION
-1	05013930AA	1							WIRING PACKAGE, Underhood Connector Repair, For Electrical Connector Repair Information visit the World Wide Web at http://dto.vftis.com/mopar/disclaimer.asp
-2	04863839	1							CONNECTOR PACKAGE, Beam Select Switch

For Electrical Connector Repair Information visit the World Wide Web at

<http://dto.vftis.com/mopar/disclaimer.asp>

WRANGLER (TJ)

SERIES

H = Sport
L = SE
P = Sahara

LINE

J = Wrangler 4WD
U = Wrangler 4WD (RHD)

BODY

77 = 93.4 WB

ENGINE

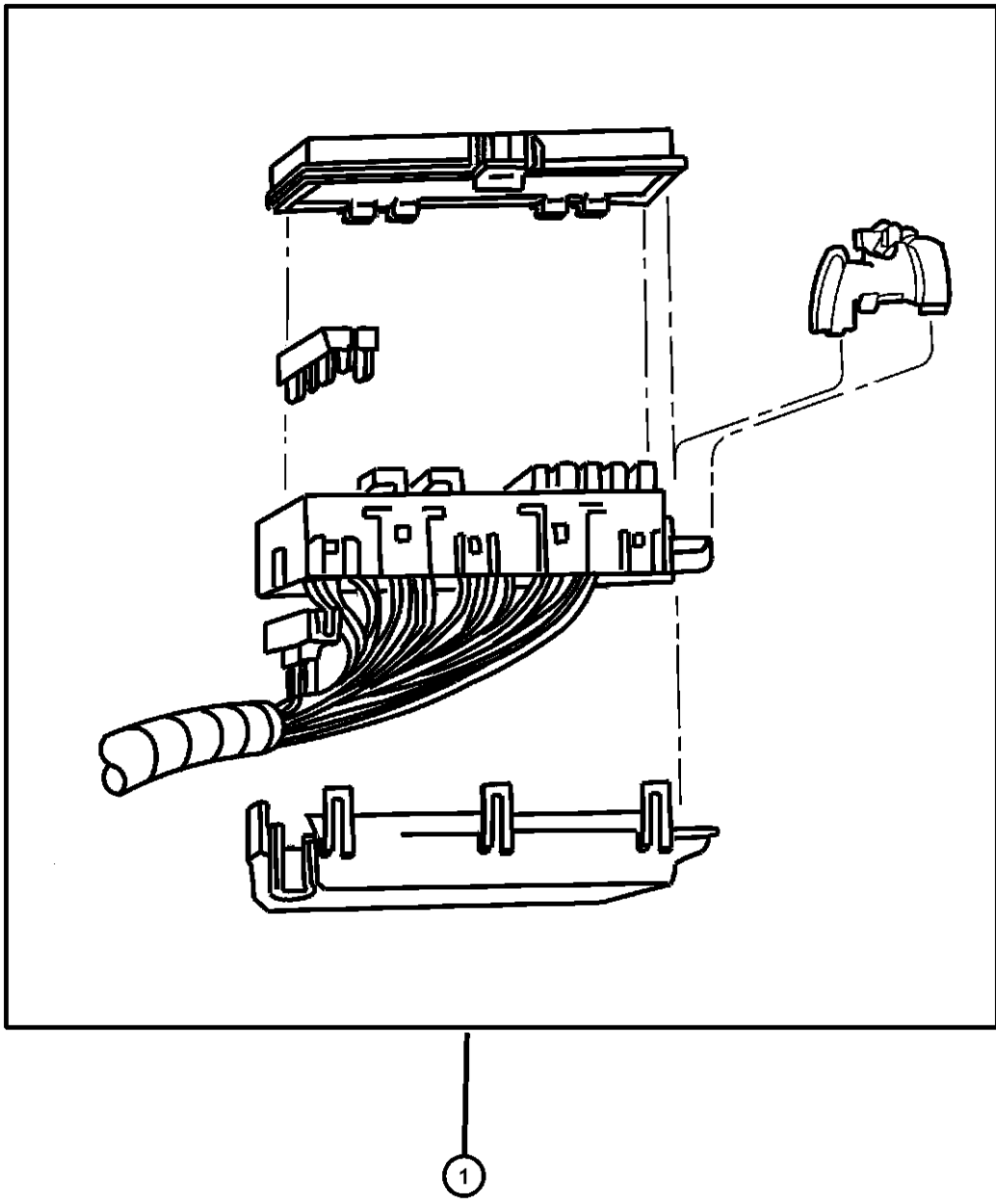
EPE = ENGINE - 2.5L POWER TECH I-4 Cyl.
ERH = ENGINE - 4.0L POWER TECH I-6

TRANSMISSION

DDD = TRANSMISSION - 5-SPEED HD MANUAL
DDQ = TRANSMISSION - 5-SPEED MANUAL
DGD = TRANSMISSION - 3-SPD. AUTOMATIC,30RH
DGG = TRANSMISSION - 3-SPD. AUTOMATIC,32RH
DG0 = All Automatic Transmissions
DBB = All Manual Transmissions
DD0 = All 5 Speed Manual Transmissions

**Power Distribution Center Repair
Figure 8-1610**

ITEM	PART NUMBER	QTY	LINE	SERIES	BODY	ENGINE	TRANS	TRIM	DESCRIPTION
1	04863839	1							REPAIR KIT, Power Distribution Center, (NOT SERVICED)

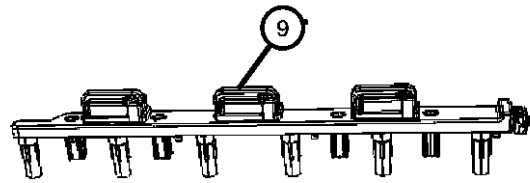
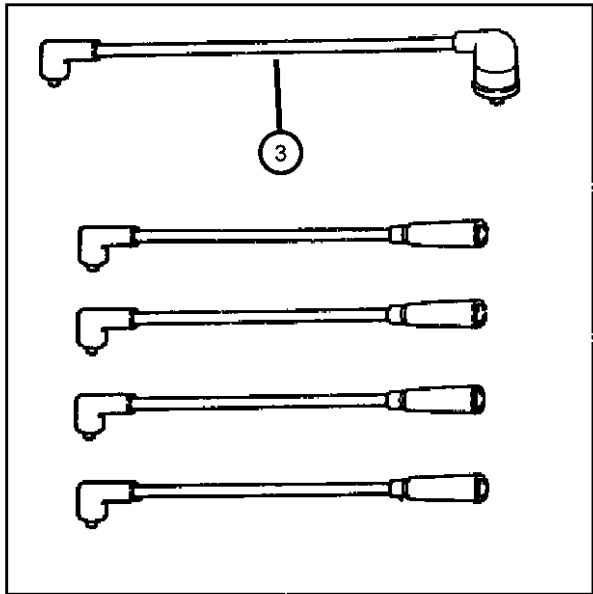
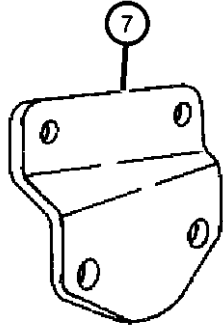
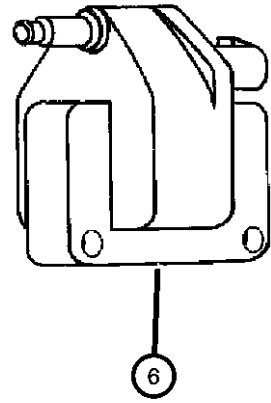


- | | | | | |
|----------------------|------------------------|--------------|---|--|
| WRANGLER (TJ) | | | | |
| SERIES | LINE | BODY | ENGINE | TRANSMISSION |
| H = Sport | J = Wrangler 4WD | 77 = 93.4 WB | EPE = ENGINE - 2.5L POWER TECH I-4 Cyl. | DDD = TRANSMISSION - 5-SPEED HD MANUAL |
| L = SE | U = Wrangler 4WD (RHD) | | ERH = ENGINE - 4.0L POWER TECH I-6 | DDQ = TRANSMISSION - 5-SPEED MANUAL |
| P = Sahara | | | | DGD = TRANSMISSION - 3-SPD. AUTOMATIC,30RH |
| | | | | DGG = TRANSMISSION - 3-SPD. AUTOMATIC,32RH |
| | | | | DG0 = All Automatic Transmissions |
| | | | | DBB = All Manual Transmissions |
| | | | | DD0 = All 5 Speed Manual Transmissions |

AR = use ase required - = Non illustrated part

Spark Plugs--Cables--Coil
Figure 8-1905

ITEM	PART NUMBER	QTY	LINE	SERIES	BODY	ENGINE	TRANS	TRIM	DESCRIPTION
EP0=2.5L Engine ER0=4.0L Engine									
-1	83507180	1				EP0			CABLE PACKAGE, Ignition
2									CABLE, Ignition
	33007152	1				EP0			[#1]
	33007153	1				EP0			[#3]
		1				EP0			[#2]
	33007157	1				EP0			[#4]
3	56041851AA	1				EP0			CABLE, Ignition Coil
4									SPARK PLUG
	SP000ZFR5N	4				EP0			
		6				ER0			
5	53006579	1				EP0			SEPERATOR, Ignition Cable
6	56028172	1				EP0			COIL, Ignition
7	53008702	1				EP0			BRACKET, Ignition Coil
-8	06102146AA	4				ER0			SCREW AND WASHER, Ignition Coil Mounting
9	56041476AA	1				ER0			COIL, Ignition



WRANGLER (TJ)

SERIES
H = Sport
L = SE
P = Sahara

LINE
J = Wrangler 4WD
U = Wrangler 4WD (RHD)

BODY
77 = 93.4 WB

ENGINE
EPE = ENGINE - 2.5L POWER
TECH I-4 Cyl.
ERH = ENGINE - 4.0L
POWER TECH I-6

TRANSMISSION
DDD = TRANSMISSION - 5-SPEED
HD MANUAL
DDQ = TRANSMISSION - 5-SPEED
MANUAL
DGD = TRANSMISSION - 3-SPD.
AUTOMATIC,30RH
DGG = TRANSMISSION - 3-SPD.
AUTOMATIC,32RH
DG0 = All Automatic Transmissions
DBB = All Manual Transmissions
DD0 = All 5 Speed Manual
Transmissions

AR = use ase required - = Non illustrated part

2000 TJ

Group - 08A

Instrument Panel and Radios and Consoles

Group - 08A Instrument Panel and Radios and Consoles

Group-Fig. No.

Illustration Title

Instrument Panel

Instrument Panel Fig. 08A - 110

Instrument Panel Cluster

Instrument Cluster..... Fig. 08A - 210

Radio, Antenna, and Speakers

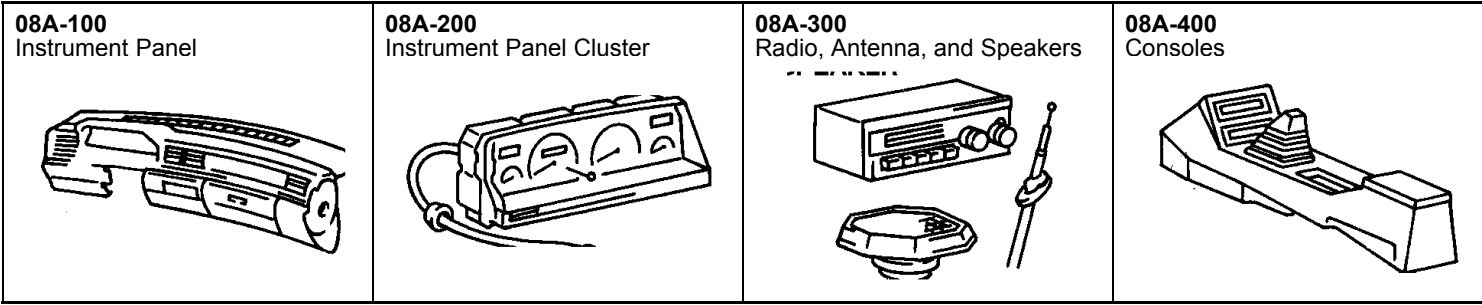
Radio..... Fig. 08A - 315

Antenna..... Fig. 08A - 320

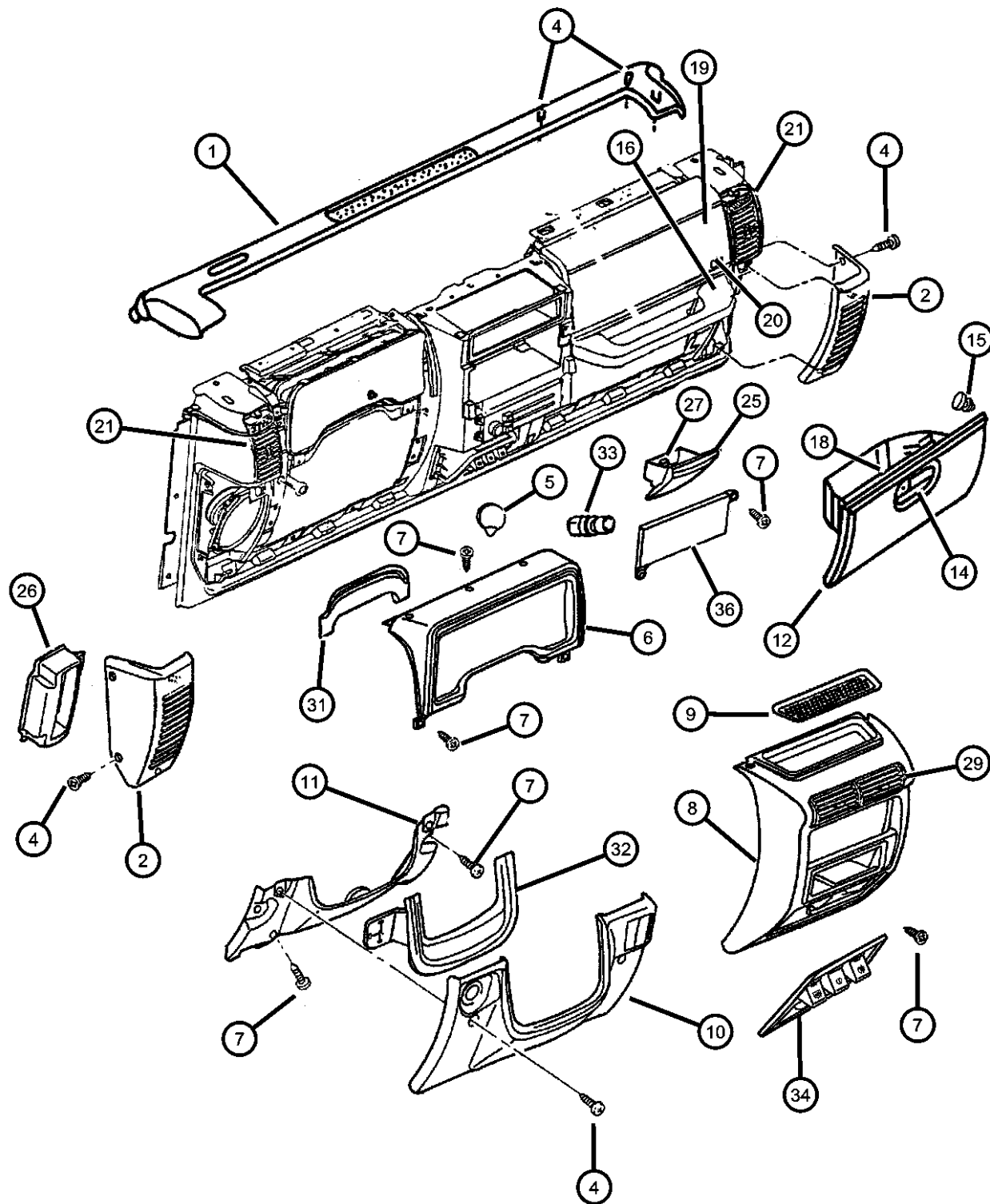
Speakers..... Fig. 08A - 325

Consoles

Consoles Full & Mini Fig. 08A - 410



**Instrument Panel
Figure 08A-110**



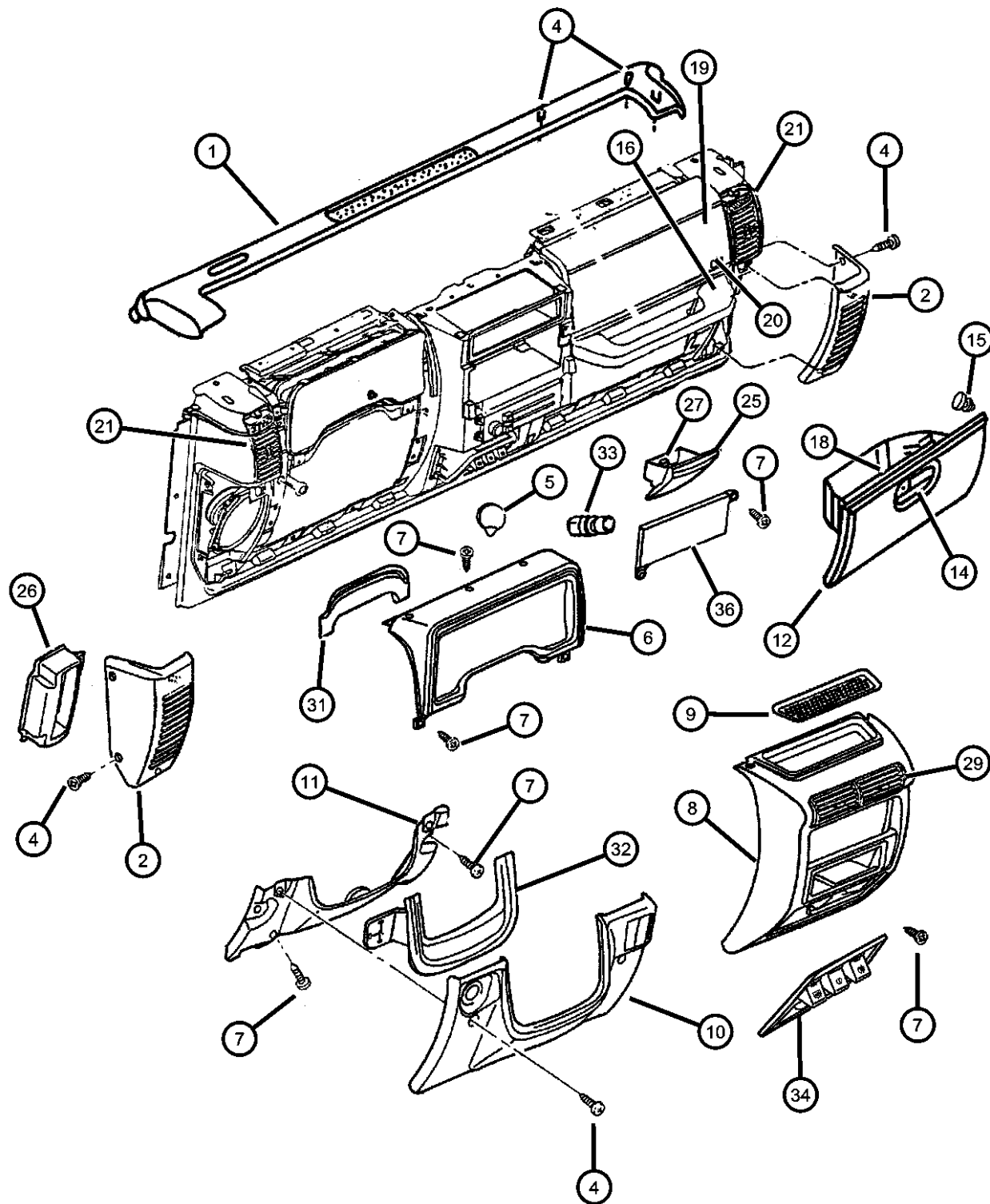
ITEM	PART NUMBER	QTY	LINE	SERIES	BODY	ENGINE	TRANS	TRIM	DESCRIPTION
1	5EU50LAZAB	1							COVER, Instrument Panel Agate
	5EU50RK5AB	1							Tan/Agate
2	5DP16LAZ	1							BEZEL, Speaker Agate, Right
	5DP16RK5	1							Tan/Agate, Right
	5DP17LAZ	1							Agate, Left
	5DP17RK5	1							Tan/Agate, Left
-3	04524342	4							CLIP, Speaker Bezel to I/Panel
4	06035369	6							SCREW, Piercing, .164-15x1.25, Bezel Mounting
5	06035369	6							CAP, Cigar Lighter, (NOT REQUIRED)
6	5FK58TAZ	1							BEZEL, Instrument Cluster, Agate
7	06034949	5							SCREW
8	5FK57TAZ	1							BEZEL, Instrument Panel, Center, (Agate) Black Ash Tray Clip Included
9	55115652	1							MAT, Instrument Panel, Center Tray Rubber Insert
10	5DN91LAZAB	1							COVER, Instrument Panel, Steering Column Opening Agate
	5DN91RK5AB	1							Tan/Agate
11	55115187	1							PANEL, Knee Blocker, I/Panel Steering Column Cover
12	5DP56LAZAC	1							GLOVE BOX, Instrument Panel Agate
	5DP56RK5AC	1							Tan/Agate
-13	55037355	1			U				STRAP, Glove Box Door Stop
		1			J				
14	5EM28LAZ	1							LATCH, Glovebox Agate

WRANGLER (TJ)
 SERIES LINE BODY ENGINE TRANSMISSION
 H = Sport J = Wrangler 4WD 77 = 93.4 WB EPE = ENGINE - 2.5L POWER TECH I-4 Cyl.
 L = SE U = Wrangler 4WD (RHD) ERH = ENGINE - 4.0L POWER TECH I-6
 P = Sahara

DDD = TRANSMISSION - 5-SPEED HD MANUAL
 DDQ = TRANSMISSION - 5-SPEED MANUAL
 DGD = TRANSMISSION - 3-SPD. AUTOMATIC,30RH
 DGG = TRANSMISSION - 3-SPD. AUTOMATIC,32RH
 DG0 = All Automatic Transmissions
 DBB = All Manual Transmissions
 DD0 = All 5 Speed Manual Transmissions

AR = use ase required - = Non illustrated part

**Instrument Panel
Figure 08A-110**



ITEM	PART NUMBER	QTY	LINE	SERIES	BODY	ENGINE	TRANS	TRIM	DESCRIPTION
	5EM28RK5	1							Tan/Agate
15	55037225	2							BUMPER, Glove Box Door
16	5DP52LAZ	1	U						HANDLE, Grab, I/Panel I/Panel (Agate)
	5DP52RK5	1	J						I/Panel (Agate) I/Panel (Tan/Agate)
	5DP52RK5	1	U						I/Panel (Tan/Agate)
-17	5EE11LAZ	1	U						HANDLE, Grab, Bezel Only Bezel Only (Agate)
	5EE11RK5	1	J						Bezel Only (Agate) Bezel Only (Tan/Agate)
	5EE11RK5	1	U						Bezel Only (Tan/Agate)
18	55115170	1	U						STRIKER, Glove Box Door Latch
19	55314982AC	1	U						AIR BAG, Passenger Module
	55314982AC	1	J						Module
20	5DU38LAZ	1	U						DOOR, Passenger Air Bag Agate
	5DU38RK5	1	J						Agate Tan/Agate
	5DU38RK5	1	U						Tan/Agate
21	5DP54TAZ	1	U						OUTLET, Air Conditioning & Heater Agate, Right
	5DP54TAZ	1	J						Agate, Right
	5DP55TAZ	1	U						Agate, Left Agate, Left
	5DP55TAZ	1	J						Agate, Left
-22	0SU441K5AB	1	J						PANEL, Instrument Tan/Agate
	0SU44LAZAB	1	J						Agate
	0SU451K5AB	1	U						Tan/Agate

WRANGLER (TJ)
 SERIES LINE
 H = Sport J = Wrangler 4WD
 L = SE U = Wrangler 4WD (RHD)
 P = Sahara

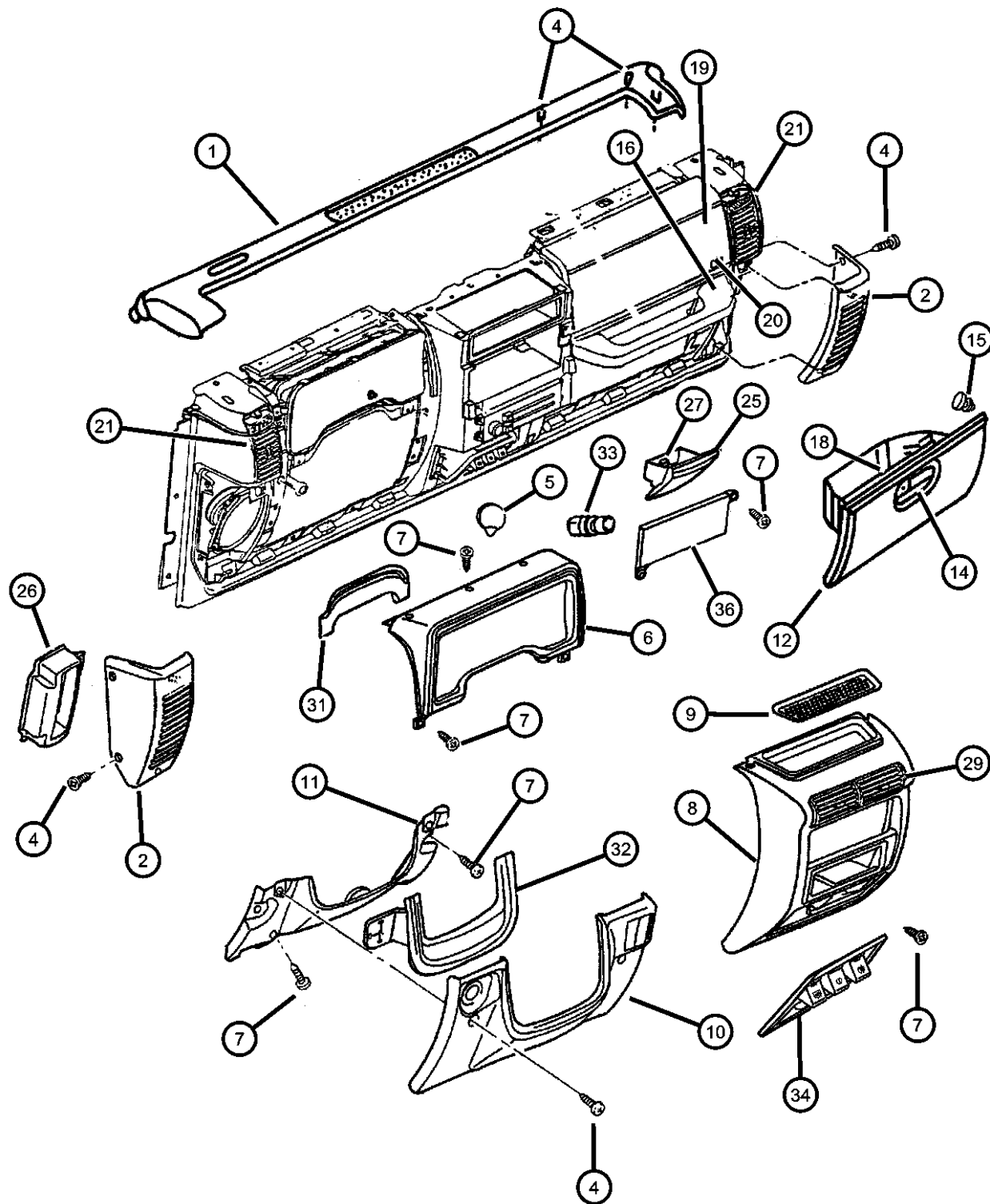
BODY
 77 = 93.4 WB

ENGINE
 EPE = ENGINE - 2.5L POWER TECH I-4 Cyl.
 ERH = ENGINE - 4.0L POWER TECH I-6

TRANSMISSION
 DDD = TRANSMISSION - 5-SPEED HD MANUAL
 DDQ = TRANSMISSION - 5-SPEED MANUAL
 DGD = TRANSMISSION - 3-SPD. AUTOMATIC,30RH
 DGG = TRANSMISSION - 3-SPD. AUTOMATIC,32RH
 DG0 = All Automatic Transmissions
 DBB = All Manual Transmissions
 DD0 = All 5 Speed Manual Transmissions

AR = use ase required - = Non illustrated part

**Instrument Panel
Figure 08A-110**

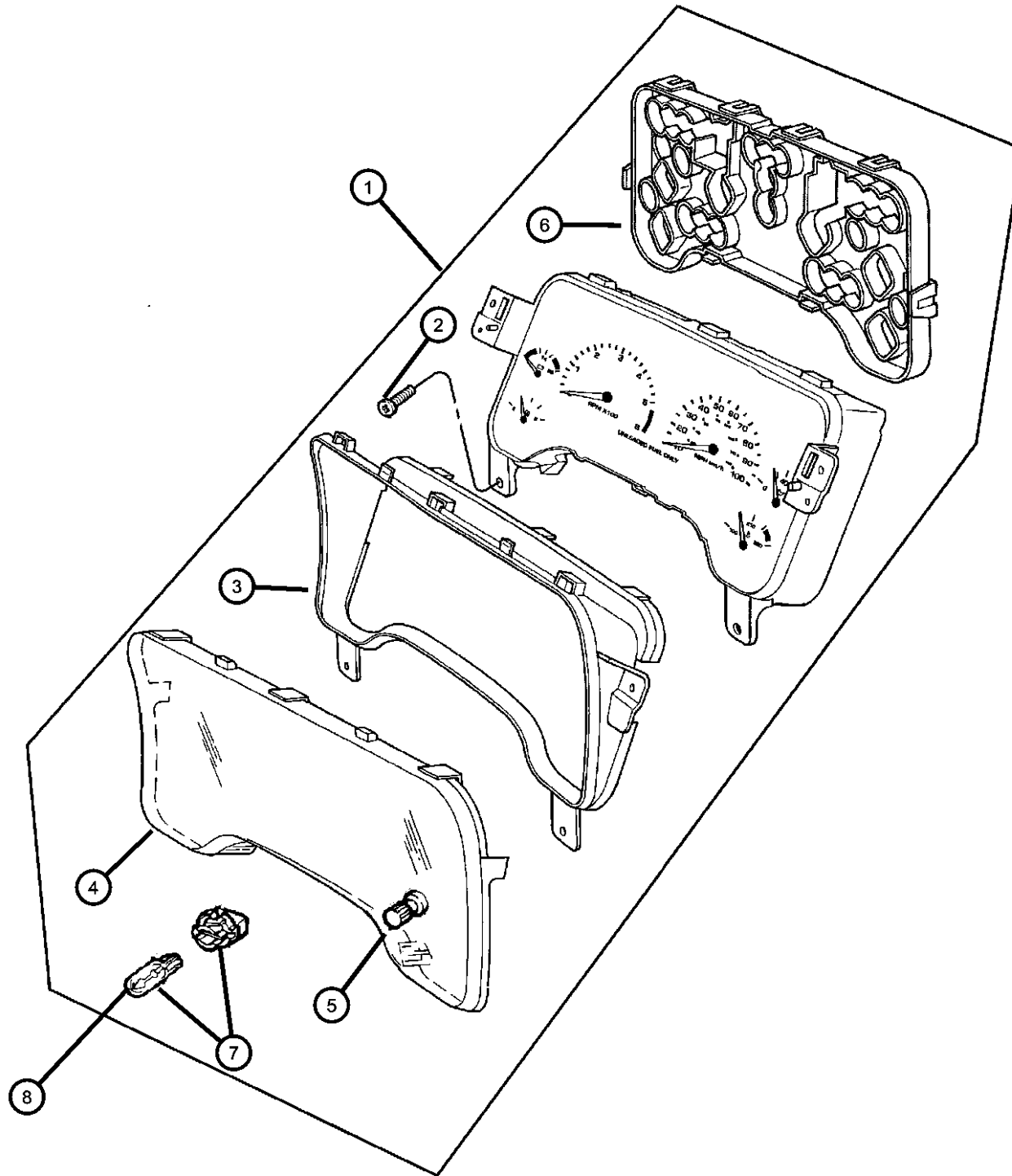


ITEM	PART NUMBER	QTY	LINE	SERIES	BODY	ENGINE	TRANS	TRIM	DESCRIPTION
	0SU45LAZAB	1	U						Agate
-23									PANEL, Instrument, Cosmetic Repair Panel
	5EM26LAZAB	1	U						Agate (Cosmetic Repair Panel)
		1	J						Agate (Cosmetic Repair Panel)
	5EM26RK5AB	1	U						Tan/Agate (Cosmetic Repair Panel)
		1	J						Tan/Agate (Cosmetic Repair Panel)
-24	06503698	6							SCREW AND WASHER, Truss Head, M6-1.00x30.00, Instrument Panel Mounting
25	5FK62TAZ	1							ASH RECEIVER, Instrument Panel, Agate
26	5FK62TAZ	1							BAFFLE, Speaker, (NOT REQUIRED)
27	55033543	1							SPRING, Ash Receiver
-28	06035859	AR							CLIP, Speaker, Ash Receiver Mounting
29	5FS10TAZ	2							OUTLET, Air Conditioning & Heater, (NOT REQUIRED), Air I/Panel Center (Agate)
-30	06503175	5							CLIP, Quarter Panel, I/Panel
31	06503175	5							FILLER, I/P To A Pillar, FILLER, Gap (Serviced in Item # 5), (NOT SERVICED)
32	06503175	5							FILLER, I/P To A Pillar, FILLER, Gap (Serviced In Item # 9), (NOT SERVICED)
33	04685536	1							KNOB AND ELEMENT, Cigar Lighter
34	56007314AD	1							BEZEL, Cigar Lighter, Bezel & Plug, Switch & Cigar Lighter
-35									PLUG, Switch Opening
	56007329	1							without Heated Backlite
	56007330	1							without Rear Wiper
36	04372399	1							COVER, Radio Opening, I/Panel Radio Opening

WRANGLER (TJ)				
SERIES	LINE	BODY	ENGINE	TRANSMISSION
H = Sport	J = Wrangler 4WD	77 = 93.4 WB	EPE = ENGINE - 2.5L POWER TECH I-4 Cyl.	DDD = TRANSMISSION - 5-SPEED HD MANUAL
L = SE	U = Wrangler 4WD (RHD)		ERH = ENGINE - 4.0L POWER TECH I-6	DDQ = TRANSMISSION - 5-SPEED MANUAL
P = Sahara				DGD = TRANSMISSION - 3-SPD. AUTOMATIC,30RH
				DGG = TRANSMISSION - 3-SPD. AUTOMATIC,32RH
				DG0 = All Automatic Transmissions
				DBB = All Manual Transmissions
				DD0 = All 5 Speed Manual Transmissions

AR = use ase required - = Non illustrated part

**Instrument Cluster
Figure 08A-210**



ITEM	PART NUMBER	QTY	LINE	SERIES	BODY	ENGINE	TRANS	TRIM	DESCRIPTION
1									CLUSTER
	56009170AD	1							Miles
	56009171AD	1							Kilos
	56009172AD	1	U						Miles
	56009174AD	1	U						Kilos
2	06034949	4							SCREW
3	04874344	1							MASK, Instrument Cluster
4	04874345	1							LENS, Cluster
5	04874346	1							GROMMET, Speedometer Trip Reset
6	04874348	1							COVER, Cluster
7	04874349	5							BULB AND SOCKET
8	05269391	10							LAMP, Bulb And Socket

WRANGLER (TJ)

SERIES	LINE
H = Sport	J = Wrangler 4WD
L = SE	U = Wrangler 4WD (RHD)
P = Sahara	

BODY
77 = 93.4 WB

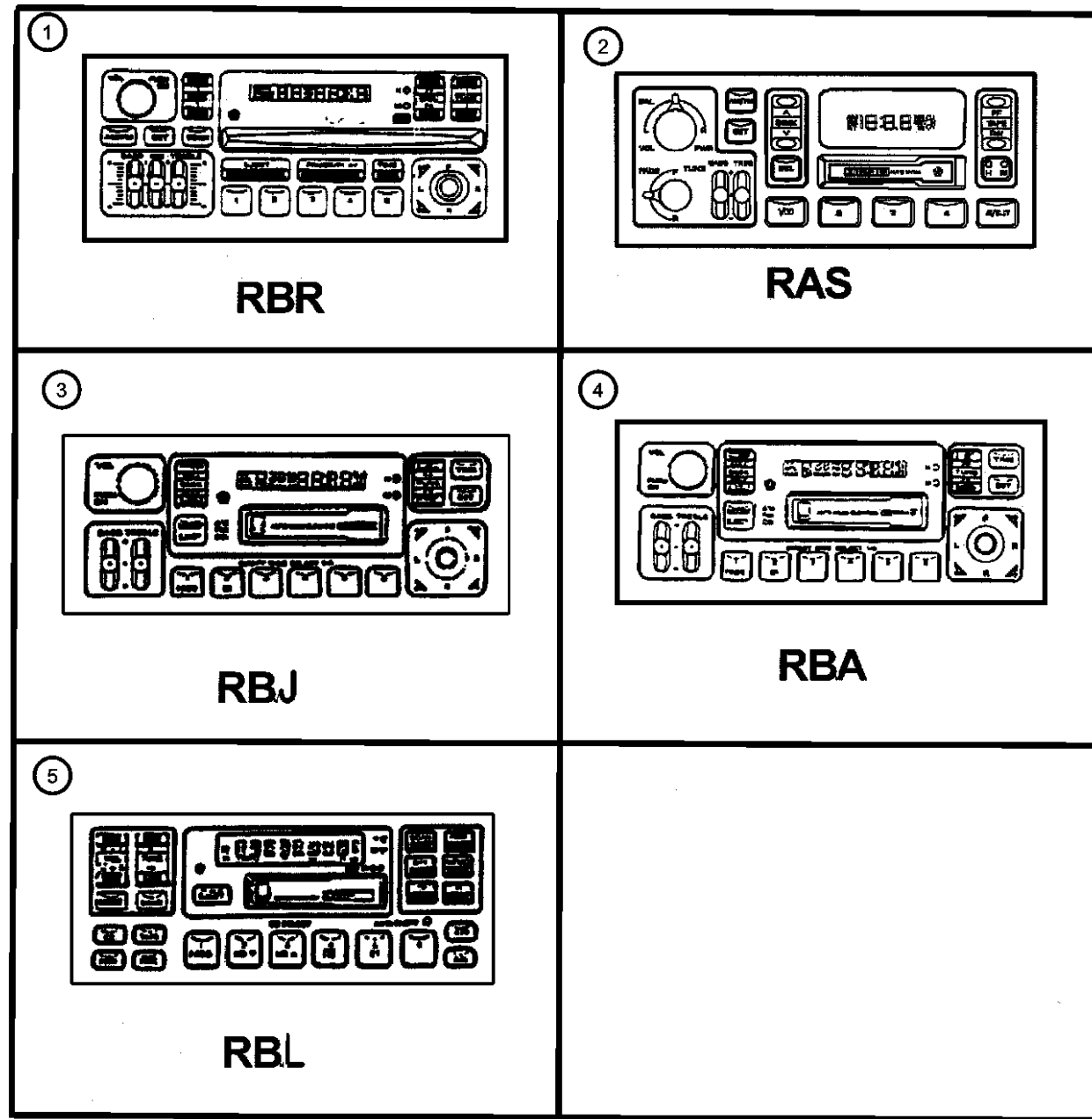
ENGINE
EPE = ENGINE - 2.5L POWER TECH I-4 Cyl.
ERH = ENGINE - 4.0L POWER TECH I-6

TRANSMISSION
DDD = TRANSMISSION - 5-SPEED HD MANUAL
DDQ = TRANSMISSION - 5-SPEED MANUAL
DGD = TRANSMISSION - 3-SPD. AUTOMATIC,30RH
DGG = TRANSMISSION - 3-SPD. AUTOMATIC,32RH
DG0 = All Automatic Transmissions
DBB = All Manual Transmissions
DD0 = All 5 Speed Manual Transmissions

AR = use ase required - = Non illustrated part

2000 TJ

Radio
Figure 08A-315



ITEM	PART NUMBER	QTY	LINE	SERIES	BODY	ENGINE	TRANS	TRIM	DESCRIPTION
------	-------------	-----	------	--------	------	--------	-------	------	-------------

[RAS]=AM/FM Cassette
 [RBA]=AM/FM with Cassette & CD Changer Control (Australia, Europe, Middle East & Taiwan)
 [RBJ]=Midline AM/FM with Cassette & CD Changer Control (Japan)
 [RBL]=AM/FM with Cassette & CD Changer Control (EUROPE)
 [RBR]=AM/FM with CD & Equalizer

1	04704373AD	1	J		77				RADIO, AM/FM with CD and Equalizer, [RBR]
2	56038933AB	1							RADIO, AM/FM Cassette, [RAS]
3	04704393AD	1	U						RADIO, AM/FM with CD, [RBJ] EUROPE
4	04704392AD	1							RADIO, AM/FM with CD, [RBA]
5	04859504AC	1							RADIO, FM/MW/LW-RDS and Cassette, [RBL] EUROPE
-6	56009159	1							STRAP, Ground, Radio Rear
-7	56009160	1							STRAP, Ground
-8	56009161	1							STRAP, Ground, Engine/Body/Hood
-9	56038592AA	1							BRACKET, Audio Equipment, [RBR]

WRANGLER (TJ)

SERIES LINE
 H = Sport J = Wrangler 4WD
 L = SE U = Wrangler 4WD (RHD)
 P = Sahara

BODY
 77 = 93.4 WB

ENGINE
 EPE = ENGINE - 2.5L POWER TECH I-4 Cyl.
 ERH = ENGINE - 4.0L POWER TECH I-6

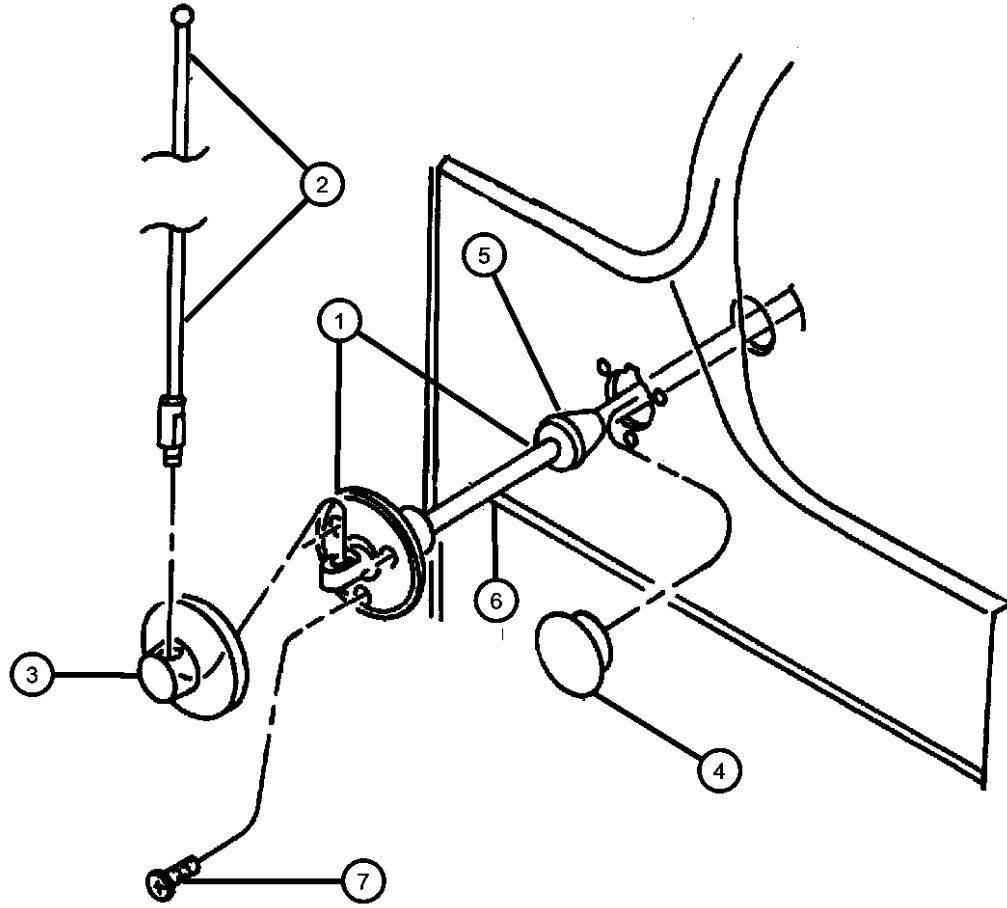
TRANSMISSION
 DDD = TRANSMISSION - 5-SPEED HD MANUAL
 DDQ = TRANSMISSION - 5-SPEED MANUAL
 DGD = TRANSMISSION - 3-SPD. AUTOMATIC,30RH
 DGG = TRANSMISSION - 3-SPD. AUTOMATIC,32RH
 DG0 = All Automatic Transmissions
 DBB = All Manual Transmissions
 DD0 = All 5 Speed Manual Transmissions

AR = use ase required - = Non illustrated part

2000 TJ

**Antenna
Figure 08A-320**

ITEM	PART NUMBER	QTY	LINE	SERIES	BODY	ENGINE	TRANS	TRIM	DESCRIPTION
1	56008788	1							ANTENNA, Base Cable And Bracket
2	56009081	1							MAST, Antenna
3	56038504	1							COVER, Antenna Opening
4	56008929	1	J						PLUG, Antenna Hole
5	56008929	1							GROMMET, Antenna, (NOT SERVICED)
6	56008786	1							CABLE, Antenna
7	56008786	1							SCREW, .164-18x.75, (NOT SERVICED)



WRANGLER (TJ)

SERIES	LINE
H = Sport	J = Wrangler 4WD
L = SE	U = Wrangler 4WD (RHD)
P = Sahara	

BODY
77 = 93.4 WB

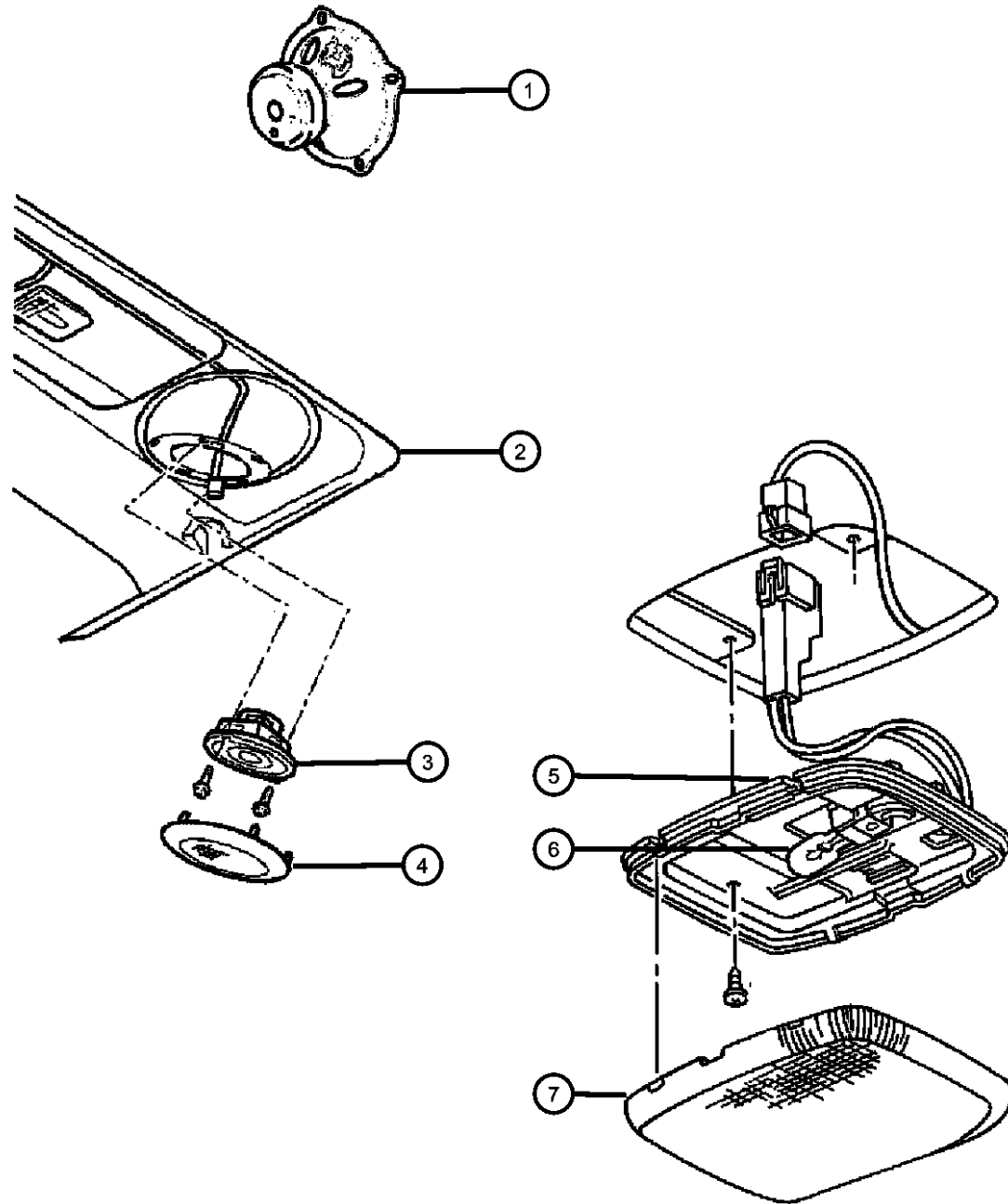
ENGINE
EPE = ENGINE - 2.5L POWER TECH I-4 Cyl.
ERH = ENGINE - 4.0L POWER TECH I-6

TRANSMISSION
DDD = TRANSMISSION - 5-SPEED HD MANUAL
DDQ = TRANSMISSION - 5-SPEED MANUAL
DGD = TRANSMISSION - 3-SPD. AUTOMATIC,30RH
DGG = TRANSMISSION - 3-SPD. AUTOMATIC,32RH
DG0 = All Automatic Transmissions
DBB = All Manual Transmissions
DD0 = All 5 Speed Manual Transmissions

AR = use ase required - = Non illustrated part

Speakers
Figure 08A-325

ITEM	PART NUMBER	QTY	LINE	SERIES	BODY	ENGINE	TRANS	TRIM	DESCRIPTION
1	56008795AB	2							SPEAKER, Instrument Panel
2	04874294	1							COVER, Soundbar
3	56038566AB	2							SPEAKER, 5.25"
4	04874296AB	2							GRILLE, Speaker
5	56007264	1							BEZEL, Dome Lamp
6	56007265	1							LENS, Dome Lamp
7	L0000912	1							BULB, 912



WRANGLER (TJ)

SERIES	LINE
H = Sport	J = Wrangler 4WD
L = SE	U = Wrangler 4WD (RHD)
P = Sahara	

BODY
77 = 93.4 WB

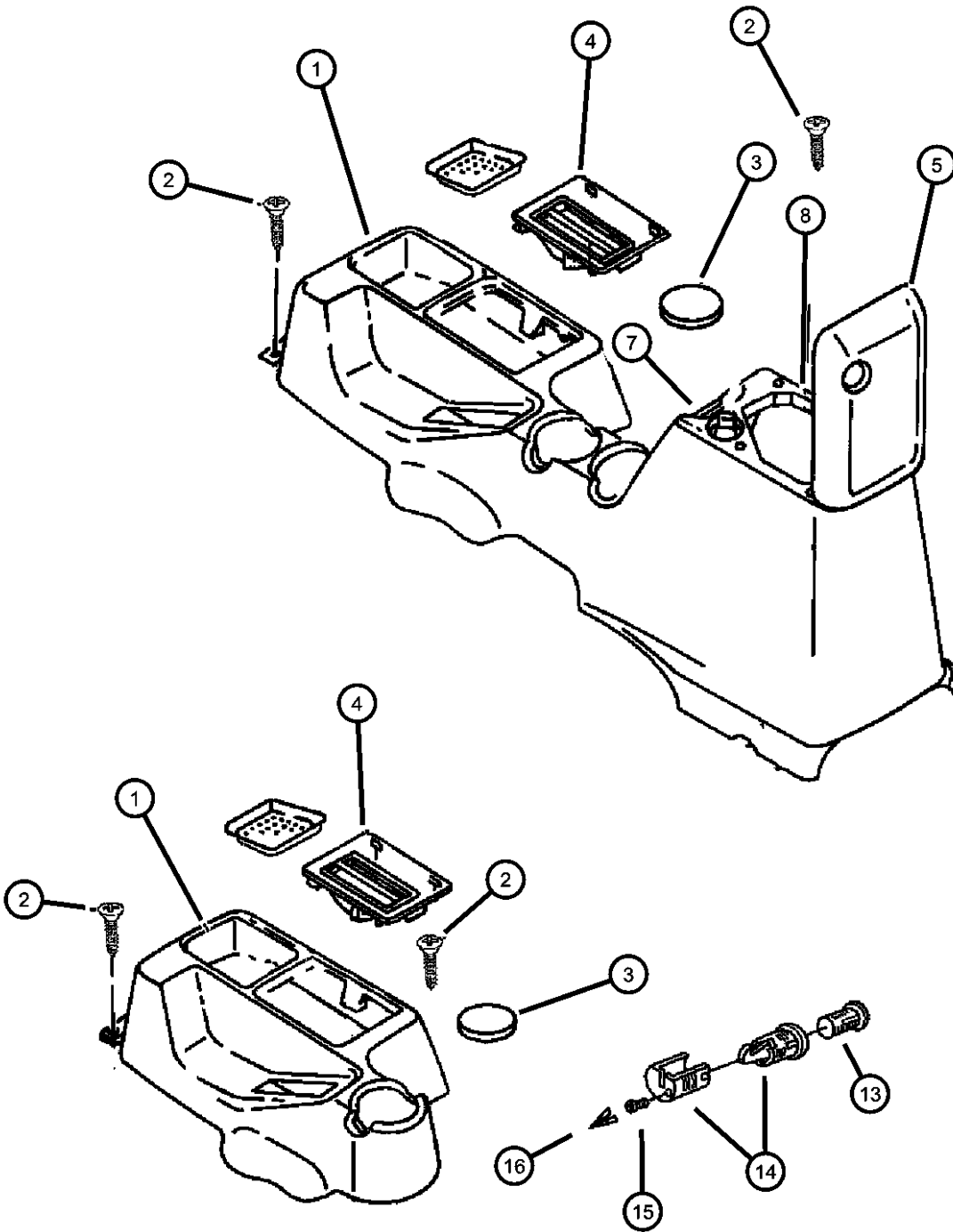
ENGINE
EPE = ENGINE - 2.5L POWER TECH I-4 Cyl.
ERH = ENGINE - 4.0L POWER TECH I-6

TRANSMISSION
DDD = TRANSMISSION - 5-SPEED HD MANUAL
DDQ = TRANSMISSION - 5-SPEED MANUAL
DGD = TRANSMISSION - 3-SPD. AUTOMATIC,30RH
DGG = TRANSMISSION - 3-SPD. AUTOMATIC,32RH
DG0 = All Automatic Transmissions
DBB = All Manual Transmissions
DD0 = All 5 Speed Manual Transmissions

AR = use ase required - = Non illustrated part

2000 TJ

Consoles Full & Mini
Figure 08A-410



ITEM	PART NUMBER	QTY	LINE	SERIES	BODY	ENGINE	TRANS	TRIM	DESCRIPTION
1									CONSOLE, Floor, With Passenger Disarm Switch
	0SJ861AZAA	1							Mini (Agate)
	0SJ871AZAA	1	U						Full (Agate)
		1	J						Full (Agate)
	0SJ871K5AA	1	U						Full (Tan/Agate)
		1	J						Full (Tan/Agate)
2		1							SCREW, [.190-16x.875], (NOT SERVICED),
3	55115669	2							MAT, Floor, Console Floor Cupholder
4									BEZEL AND DIAL, Gearshift Lever
	55115570AB	1	J						
	55115571AB	1	U						
5									LID, Center Console Storage
	0LC51LAZ	AR							Outer (Agate)
	0LC51RK5	AR							Outer (Tan/Agate)
	5FW18LAZAB	1	J						Inner (Agate)
		1	U						Inner (Agate)
	5FW18RK5AB	1	J						Inner (Tan/Agate)
		1	U						Inner (Tan/Agate)
-6									HINGE, Floor Console Lid
	04732098AB	1	J						
		1	U						
7		1							STRIKER, Console Lid Catch, Serviced in Console, (NOT SERVICED)
8									SEAL, Lid
	55037380AA	1	J						
		1	U						
-9	5GL51DX9AB	1							BEZEL, Floor Console, Passenger Airbag Disarm Switch (Black)
-10	56010056AB	1							SWITCH, Passenger Airbag Disarm

WRANGLER (TJ)

SERIES LINE
H = Sport J = Wrangler 4WD
L = SE U = Wrangler 4WD (RHD)
P = Sahara

BODY
77 = 93.4 WB

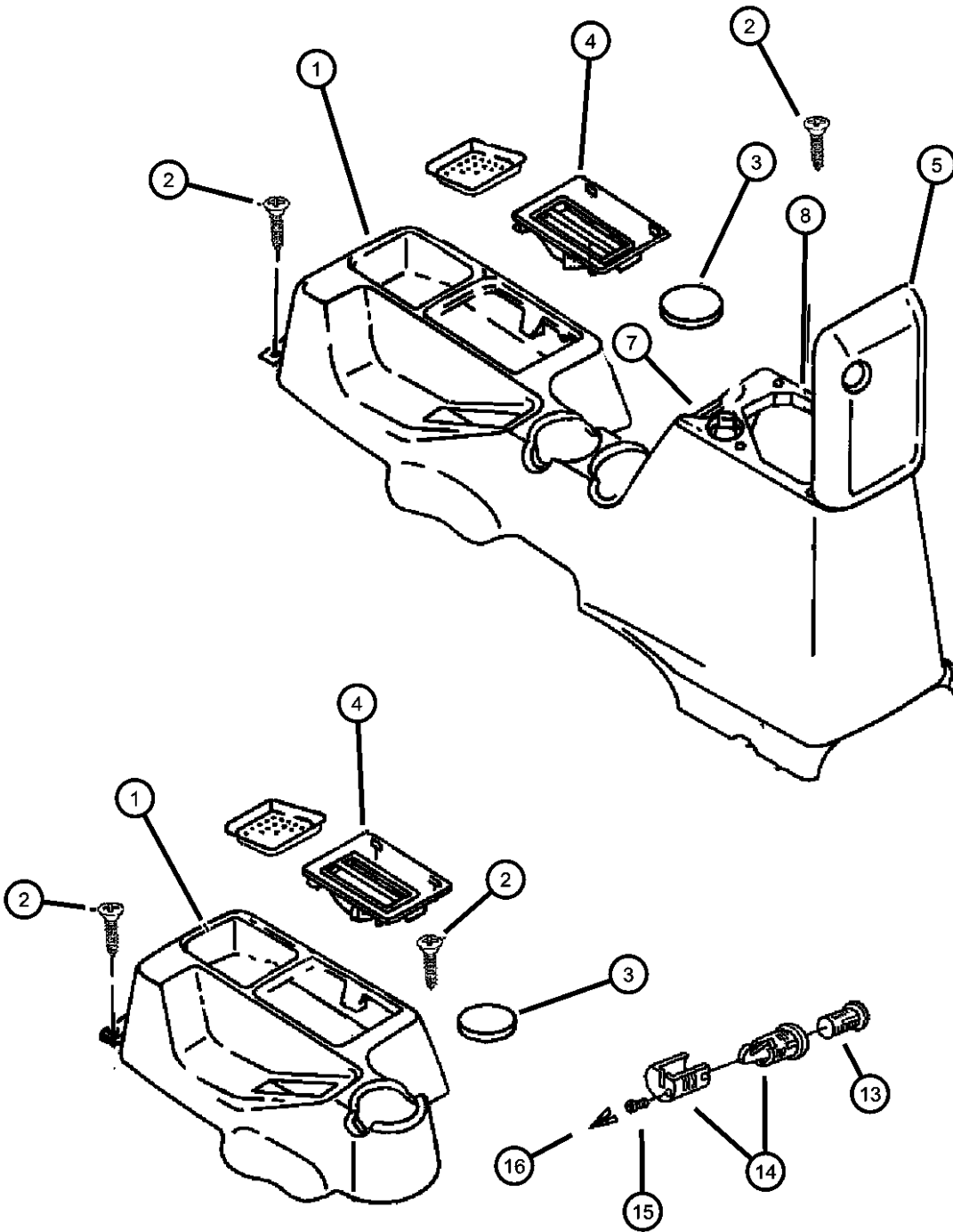
ENGINE
EPE = ENGINE - 2.5L POWER TECH I-4 Cyl.
ERH = ENGINE - 4.0L POWER TECH I-6

TRANSMISSION
DDD = TRANSMISSION - 5-SPEED HD MANUAL
DDQ = TRANSMISSION - 5-SPEED MANUAL
DGD = TRANSMISSION - 3-SPD. AUTOMATIC,30RH
DGG = TRANSMISSION - 3-SPD. AUTOMATIC,32RH
DG0 = All Automatic Transmissions
DBB = All Manual Transmissions
DD0 = All 5 Speed Manual Transmissions

AR = use ase required - = Non illustrated part

2000 TJ

Consoles Full & Mini
Figure 08A-410



ITEM	PART NUMBER	QTY	LINE	SERIES	BODY	ENGINE	TRANS	TRIM	DESCRIPTION
-11	55315000AB	1							PLUG, Cover
-12	55315000AB	1							HOLDER, Coin, (NOT REQUIRED)
13	04746305	1							CYLINDER, Console Lock
14	04741954	1							LATCH, Storage Bin Lid
15	04741954	1							SCREW, (NOT SERVICED)
16									LATCH, Armrest Lid
	55037252	1	J						Latch Clamp
		1	U						Latch Clamp

WRANGLER (TJ)

SERIES LINE
H = Sport J = Wrangler 4WD
L = SE U = Wrangler 4WD (RHD)
P = Sahara

BODY
77 = 93.4 WB

ENGINE
EPE = ENGINE - 2.5L POWER
TECH I-4 Cyl.
ERH = ENGINE - 4.0L
POWER TECH I-6

TRANSMISSION
DDD = TRANSMISSION - 5-SPEED
HD MANUAL
DDQ = TRANSMISSION - 5-SPEED
MANUAL
DGD = TRANSMISSION - 3-SPD.
AUTOMATIC,30RH
DGG = TRANSMISSION - 3-SPD.
AUTOMATIC,32RH
DG0 = All Automatic Transmissions
DBB = All Manual Transmissions
DD0 = All 5 Speed Manual
Transmissions

AR = use ase required - = Non illustrated part

2000 TJ

Group - 9

Engine Mounting

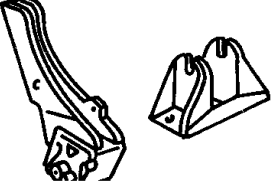
Group - 9 Engine Mounting

Group-Fig. No.

Illustration Title

Engine Mounting

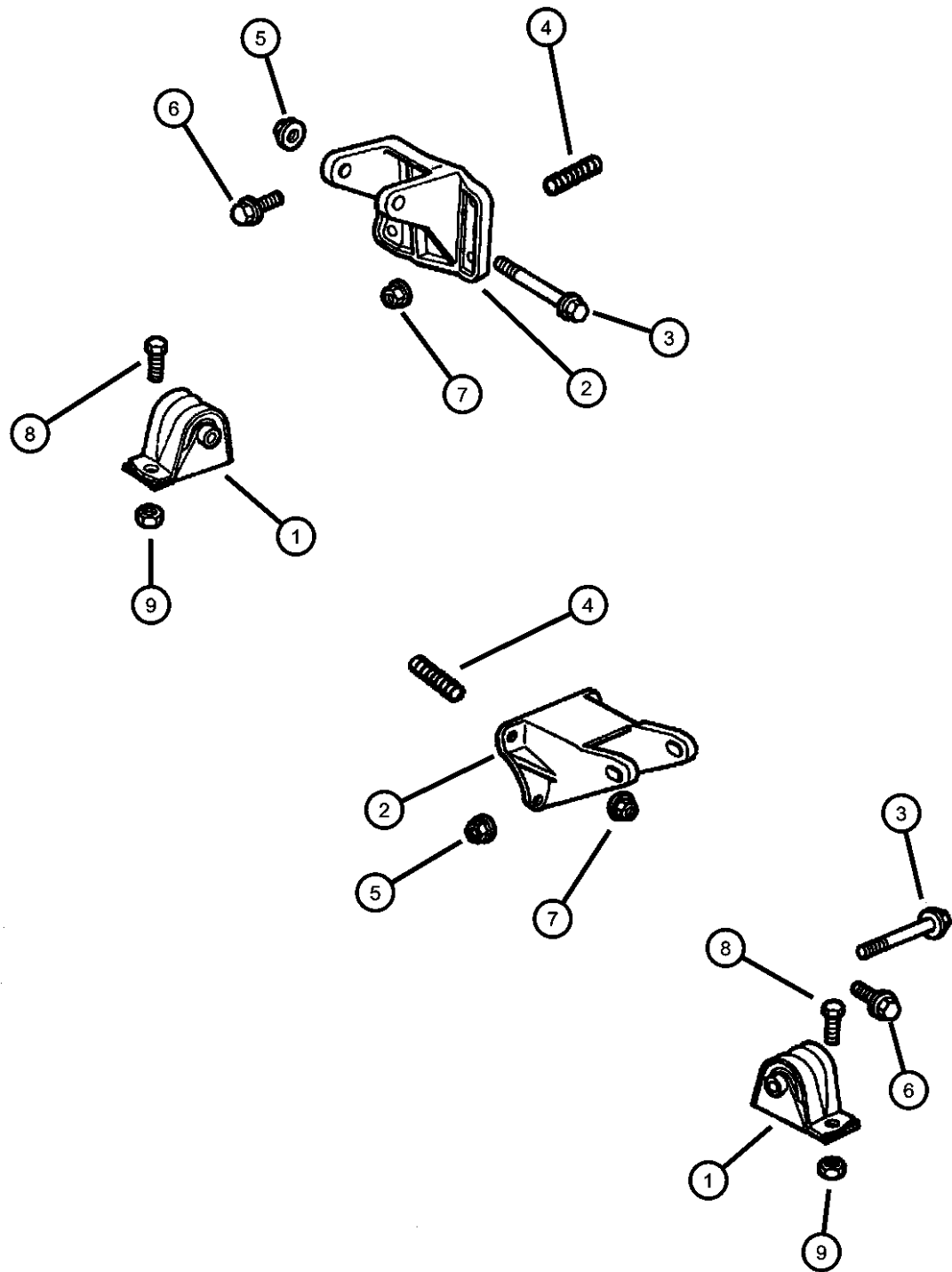
Engine Mounting, Front.....	Fig. 9 - 110
Engine Mounting, Rear.....	Fig. 9 - 120
Engine Mounting, Front.....	Fig. 9 - 130
Engine Mounting, Rear.....	Fig. 9 - 140

<p>009-100 Engine Mounting</p> 			
--	--	--	--

Engine Mounting, Front
Figure 9-110

ITEM	PART NUMBER	QTY	LINE	SERIES	BODY	ENGINE	TRANS	TRIM	DESCRIPTION
------	-------------	-----	------	--------	------	--------	-------	------	-------------

NOTE: EP0=All 2.5L Gas Engines
ERO= All 4.0L Gas Engines



1	52019276AB	2				EP0			INSULATOR, Engine Mount
2									BRACKET, Engine Mount
	52018696	1				EP0			Right
	52018697	1				EP0			Left
3	34202606	2				EP0, ERO			BOLT, Hex Head
4	06033883	3				EP0			STUD, .375-16x2.00"
5	06502697	2							NUT, Hex Flange Lock, M12x1.75
6	06036176AA	5				EP0			SCREW, Hex Head, .375-16x1.125
7	00152474	3				EP0			NUT, Hex Flange Lock, .375-16
8	06502137	2							BOLT, Hex Flange Head, M10x1.50x35
9	06502696	2							NUT, Hex Flange Lock, M10x1.5

WRANGLER (TJ)

SERIES	LINE
H = Sport	J = Wrangler 4WD
L = SE	U = Wrangler 4WD (RHD)
P = Sahara	

BODY
77 = 93.4 WB

ENGINE
EPE = ENGINE - 2.5L POWER TECH I-4 Cyl.
ERH = ENGINE - 4.0L POWER TECH I-6

TRANSMISSION
DDD = TRANSMISSION - 5-SPEED HD MANUAL
DDQ = TRANSMISSION - 5-SPEED MANUAL
DGD = TRANSMISSION - 3-SPD. AUTOMATIC,30RH
DGG = TRANSMISSION - 3-SPD. AUTOMATIC,32RH
DGO = All Automatic Transmissions
DBB = All Manual Transmissions
DDO = All 5 Speed Manual Transmissions

AR = use ase required - = Non illustrated part

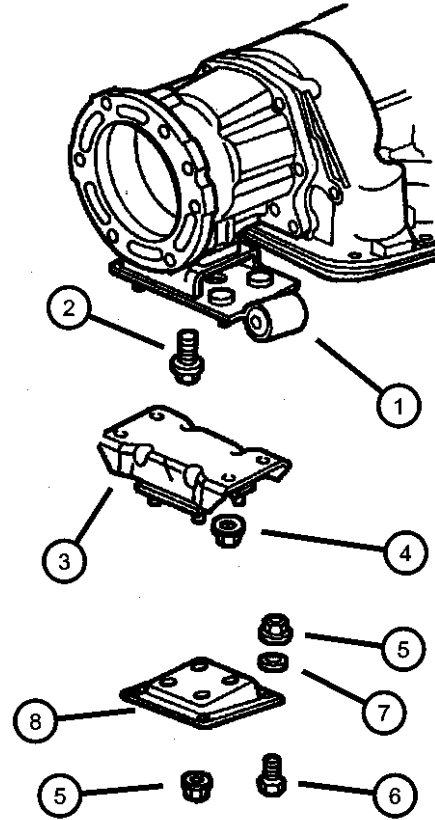
2000 TJ

Engine Mounting, Rear
Figure 9-120

ITEM	PART NUMBER	QTY	LINE	SERIES	BODY	ENGINE	TRANS	TRIM	DESCRIPTION
------	-------------	-----	------	--------	------	--------	-------	------	-------------

NOTE: EP0=All 2.5L Gas Engines DDQ=5 Speed Manual Transmission DG0=All Automatic Transmissions

1									BRACKET, Transmission Mount
	52058548	1					DG0		
	52058618	1				EP0	DDQ		
2	52058618	1							BOLT, .437-14x1.120, (NOT SERVICED)
3	52058551AB	1							MOUNT, Transmission
4	06502337	4							NUT, M10x1.5
5	06100517	4							NUT, Hex Flange Lock, M8 Phosphate
6	06100517	4							BOLT, M8x1.25x25.00, (NOT SERVICED)
7	06100517	4							WASHER, (NOT SERVICED)
8	52058863	1					DG0		BRACKET, Transmission Mount



WRANGLER (TJ)

SERIES	LINE
H = Sport	J = Wrangler 4WD
L = SE	U = Wrangler 4WD (RHD)
P = Sahara	

BODY
77 = 93.4 WB

ENGINE
EPE = ENGINE - 2.5L POWER TECH I-4 Cyl.
ERH = ENGINE - 4.0L POWER TECH I-6

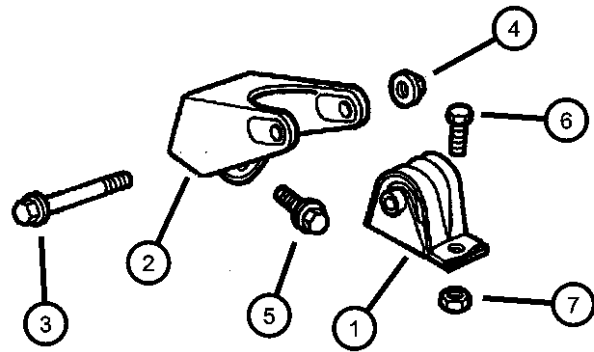
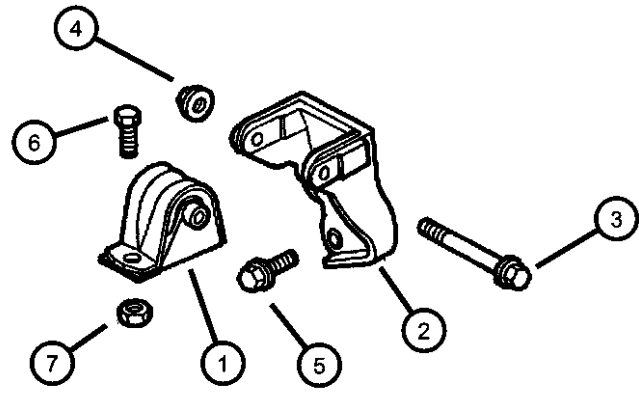
TRANSMISSION
DDD = TRANSMISSION - 5-SPEED HD MANUAL
DDQ = TRANSMISSION - 5-SPEED MANUAL
DGD = TRANSMISSION - 3-SPD. AUTOMATIC,30RH
DGG = TRANSMISSION - 3-SPD. AUTOMATIC,32RH
DG0 = All Automatic Transmissions
DBB = All Manual Transmissions
DD0 = All 5 Speed Manual Transmissions

AR = use ase required - = Non illustrated part

2000 TJ

Engine Mounting, Front
Figure 9-130

ITEM	PART NUMBER	QTY	LINE	SERIES	BODY	ENGINE	TRANS	TRIM	DESCRIPTION
NOTE: ER0=All 4.0L Engines, EPO= All 2.5L Engines.									
1	52019278AB	2				ER0			INSULATOR, Engine Mount
2									BRACKET, Engine Mount
	52059284AA	1				ER0			Right
	52059285AA	1				ER0			Left
3	34202606	2				EPO, ER0			BOLT, Hex Head
4	06502697	2							NUT, Hex Flange Lock, M12x1.75
5	06036176AA	5				EPO			SCREW, Hex Head, .375-16x1.125
6	06502137	2							BOLT, Hex Flange Head, M10x1.50x35
7	06502696	2							NUT, Hex Flange Lock, M10x1.5



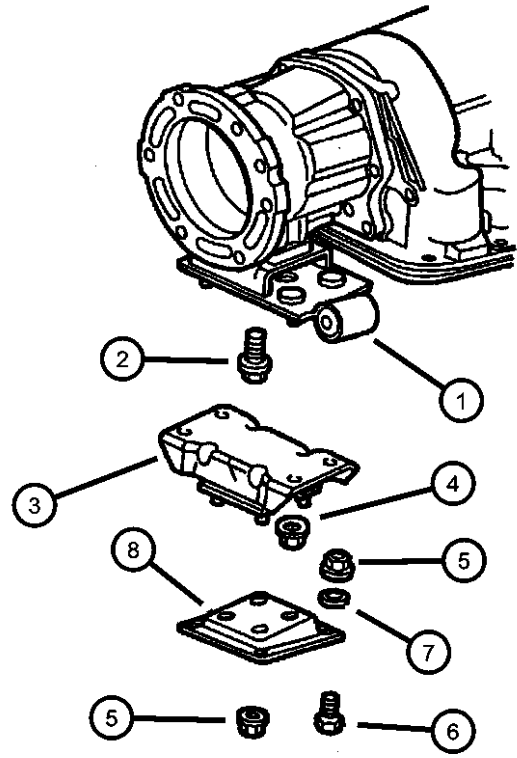
WRANGLER (TJ)

SERIES	LINE	BODY	ENGINE	TRANSMISSION
H = Sport	J = Wrangler 4WD	77 = 93.4 WB	EPE = ENGINE - 2.5L POWER TECH I-4 Cyl.	DDD = TRANSMISSION - 5-SPEED HD MANUAL
L = SE	U = Wrangler 4WD (RHD)		ERH = ENGINE - 4.0L POWER TECH I-6	DDQ = TRANSMISSION - 5-SPEED MANUAL
P = Sahara				DGD = TRANSMISSION - 3-SPD. AUTOMATIC,30RH
				DGG = TRANSMISSION - 3-SPD. AUTOMATIC,32RH
				DG0 = All Automatic Transmissions
				DBB = All Manual Transmissions
				DD0 = All 5 Speed Manual Transmissions

AR = use ase required - = Non illustrated part

Engine Mounting, Rear
Figure 9-140

ITEM	PART NUMBER	QTY	LINE	SERIES	BODY	ENGINE	TRANS	TRIM	DESCRIPTION
NOTE: ER0=All 4.0L Engines DDO= Manual Transmission DG0=All Automatic Transmissions									
1									BRACKET, Transmission Mount
	52058546	1				ER0	DD0		
	52058548	1					DG0		
2	52058548	1							BOLT, .437-14x1.120, (NOT SERVICED)
3	52058551AB	1							MOUNT, Transmission
4	06502337	4							NUT, M10x1.5
5	06100517	4							NUT, Hex Flange Lock, M8 Phosphate
6	06100517	4							BOLT, M8x1.25x25.00, (NOT SERVICED)
7	06100517	4							WASHER, (NOT SERVICED)
8	52058863	1					DG0		BRACKET, Transmission Mount



WRANGLER (TJ)

SERIES	LINE	BODY	ENGINE	TRANSMISSION
H = Sport	J = Wrangler 4WD	77 = 93.4 WB	EPE = ENGINE - 2.5L POWER TECH I-4 Cyl.	DDD = TRANSMISSION - 5-SPEED HD MANUAL
L = SE	U = Wrangler 4WD (RHD)		ERH = ENGINE - 4.0L POWER TECH I-6	DDQ = TRANSMISSION - 5-SPEED MANUAL
P = Sahara				DGD = TRANSMISSION - 3-SPD. AUTOMATIC,30RH
				DGG = TRANSMISSION - 3-SPD. AUTOMATIC,32RH
				DG0 = All Automatic Transmissions
				DBB = All Manual Transmissions
				DD0 = All 5 Speed Manual Transmissions

AR = use ase required - = Non illustrated part

Group - 2.5L4

Engine 2.5L Four Cylinder

Group - 2.5L4 Engine 2.5L Four Cylinder

Illustration Title

Group-Fig. No.

Cylinder Head

Cylinder Head Fig. 2.5L4 - 210

Cylinder Block

Cylinder Block Fig. 2.5L4 - 310

Crankshaft, Piston and Drive Plate

Crankshaft, Piston and Torque Converter Fig. 2.5L4 - 410

Camshafts & Valves

Camshaft and Valves Fig. 2.5L4 - 510

Timing Belt and Cover

Timing Cover Fig. 2.5L4 - 610

Engine Oiling

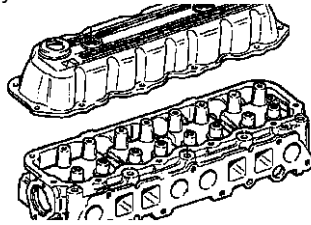
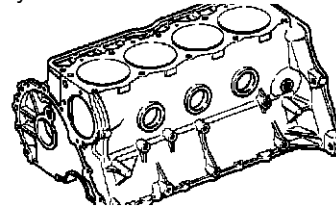
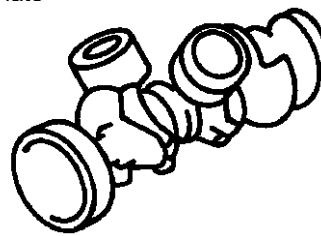
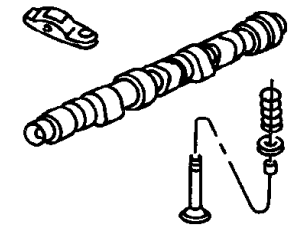
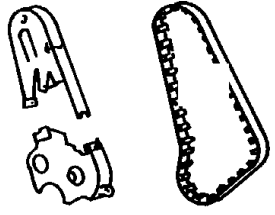
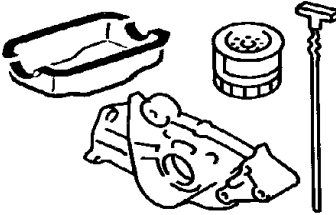
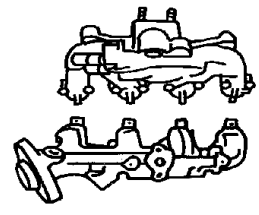
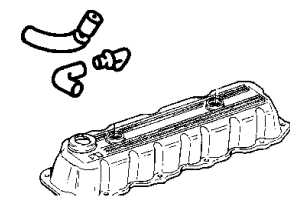
Engine Oiling Fig. 2.5L4 - 710

Manifolds

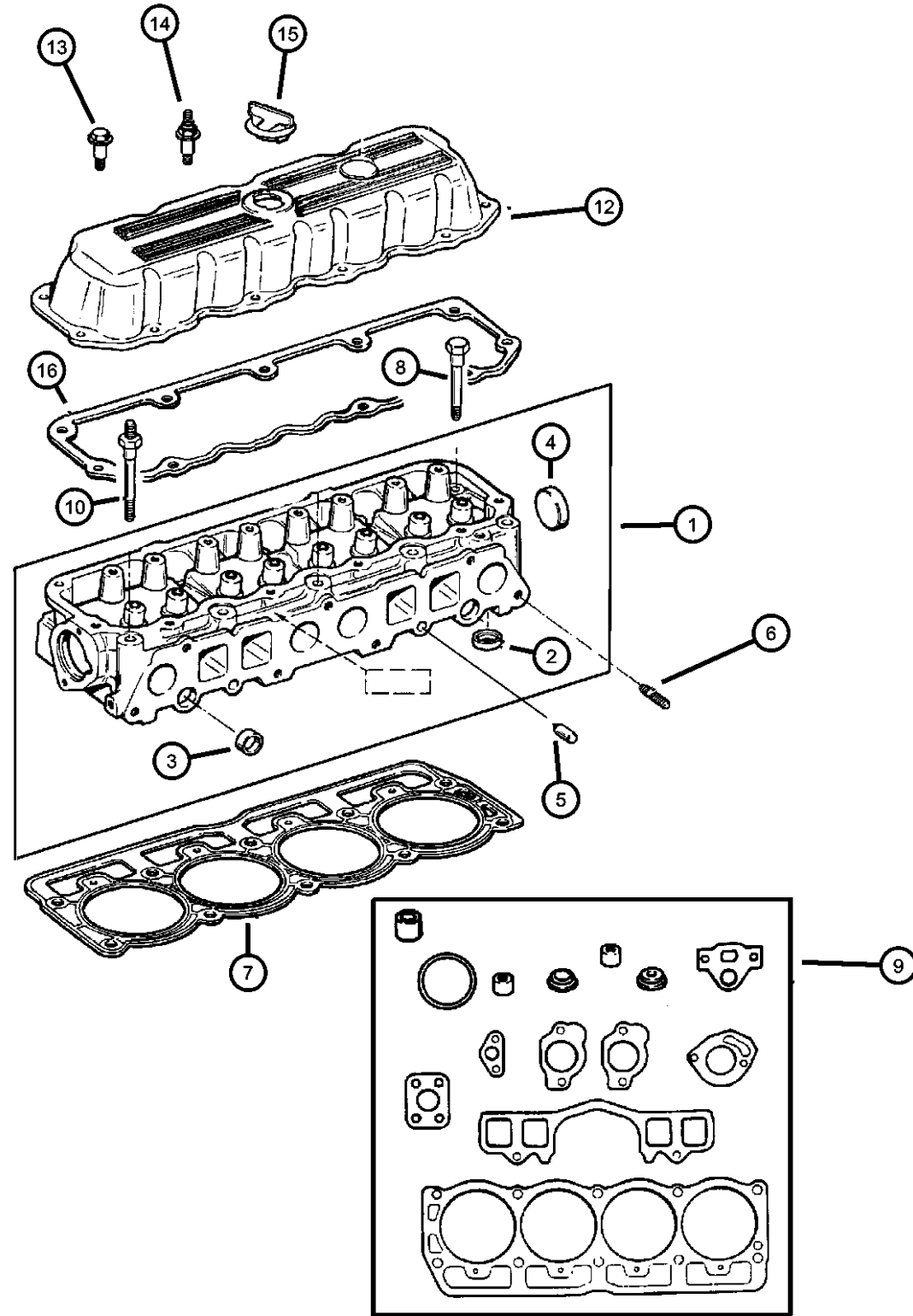
Manifold, Intake and Exhaust Fig. 2.5L4 - 810

Crankcase Ventilation

Crankcase Ventilation Fig. 2.5L4 - 910

<p>2.5L4-200 Cylinder Head</p> 	<p>2.5L4-300 Cylinder Block</p> 	<p>2.5L4-400 Crankshaft, Piston and Drive Plate</p> 	<p>2.5L4-500 Camshafts & Valves</p> 
<p>2.5L4-600 Timing Belt and Cover</p> 	<p>2.5L4-700 Engine Oiling</p> 	<p>2.5L4-800 Manifolds</p> 	<p>2.5L4-900 Crankcase Ventilation</p> 

**Cylinder Head
Figure 2.5L4-210**



ITEM	PART NUMBER	QTY	LINE	SERIES	BODY	ENGINE	TRANS	TRIM	DESCRIPTION
------	-------------	-----	------	--------	------	--------	-------	------	-------------

NOTE: EP0=All 2.5L Gas Engines ERO= All 4.0L Gas Engines

1	33007115AB	1				EP0			HEAD, Cylinder
2	33007142	4				EP0			SEAT, Exhaust Valve
3	J3172319	4				EP0			PLUG, Cylinder Block Oil Hole
4	J3105394	1				EP0			PLUG, Cylinder Block Oil Hole
5	J3172318	2				EP0, ERO			DOWEL, Cylinder Head To Intake
6	06036193AA	2				EP0, ERO			STUD, .375-16/.375-24x1.75
7	53009549AB	1				EP0			GASKET, Cylinder Head
8	06035514	5				EP0			BOLT, Cylinder Head
9	04798992AC	1				EP0			GASKET PACKAGE, Engine
10	06035516	4				EP0			STUD, Double Ended, .50-13/.437-14x6.00
-11	06036162AA	1				EP0			STUD, Double Ended, [.50-13/.437-14x6.0]
12	53010428AB	1				EP0			COVER, Cylinder Head
13	06035566	1				EP0			BOLT, Hex Flange Head, .250-20x1.00
14	06035968AA	10				EP0			STUD, .250-20x2.00
15	53020555	1				EP0			CAP, Oil Filler
16	53020555	1				EP0			GASKET, Cylinder Cover, RTV Sealant, (NOT SERVICED)

WRANGLER (TJ)

SERIES	LINE
H = Sport	J = Wrangler 4WD
L = SE	U = Wrangler 4WD (RHD)
P = Sahara	

BODY
77 = 93.4 WB

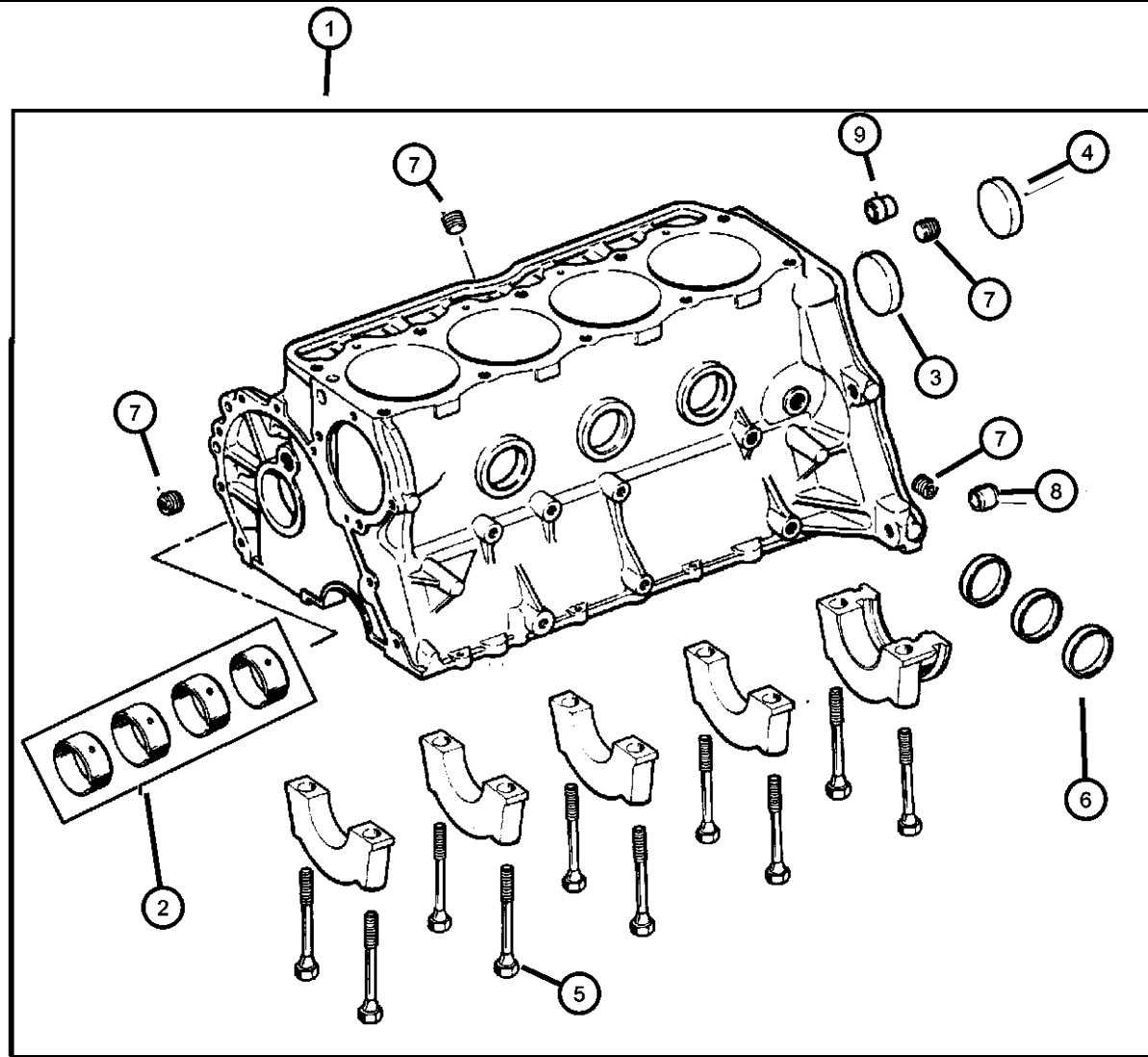
ENGINE
EPE = ENGINE - 2.5L POWER TECH I-4 Cyl.
ERH = ENGINE - 4.0L POWER TECH I-6

TRANSMISSION
DDD = TRANSMISSION - 5-SPEED HD MANUAL
DDQ = TRANSMISSION - 5-SPEED MANUAL
DGD = TRANSMISSION - 3-SPD. AUTOMATIC,30RH
DGG = TRANSMISSION - 3-SPD. AUTOMATIC,32RH
DG0 = All Automatic Transmissions
DBB = All Manual Transmissions
DD0 = All 5 Speed Manual Transmissions

AR = use ase required - = Non illustrated part

2000 TJ

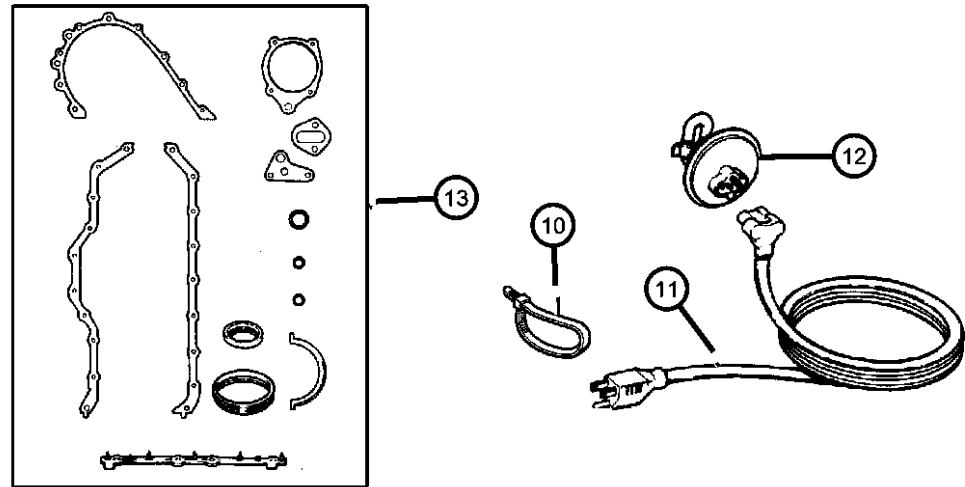
Cylinder Block
Figure 2.5L4-310



ITEM	PART NUMBER	QTY	LINE	SERIES	BODY	ENGINE	TRANS	TRIM	DESCRIPTION
------	-------------	-----	------	--------	------	--------	-------	------	-------------

NOTE: Packages Do Not Contain Gaskets For All Required Sealing. R.T.V. Sealer And Gasket Eliminator Must Also Be Used.
 NOTE: EP0=All 2.5L Gas Engines ERO= All 4.0L Gas Engines

1	04856744	1				EP0			BLOCK, Short
2	04636985AB	1				EP0			BEARING PACKAGE, Camshaft, Standard Size
3	J3172313	1				EP0			PLUG, Camshaft
4	53020465	1				EP0			PLUG, Cylinder Block
5	J4006948	10				EP0			BOLT, Hex Head, .50-13x2.97
6	J4006580	3				EP0			PLUG, Cylinder Block Oil Hole
7	06034166	3				EP0			PLUG, Cylinder Block Oil Hole
8	J4006953	1				EP0			DOWEL, Block To Cylinder Head
9	J3241332	1				EP0			DOWEL, Clutch Housing To Block
10	04641780	3				EP0, ERO			STRAP, Tie
11	56016834	1				EP0, ERO			CORD, Engine Block Heater
12	82300749	1				EP0			HEATER KIT, Engine Block
13	04713023AC	1				EP0			GASKET PACKAGE, Engine



WRANGLER (TJ)

SERIES LINE
 H = Sport J = Wrangler 4WD
 L = SE U = Wrangler 4WD (RHD)
 P = Sahara

BODY
 77 = 93.4 WB

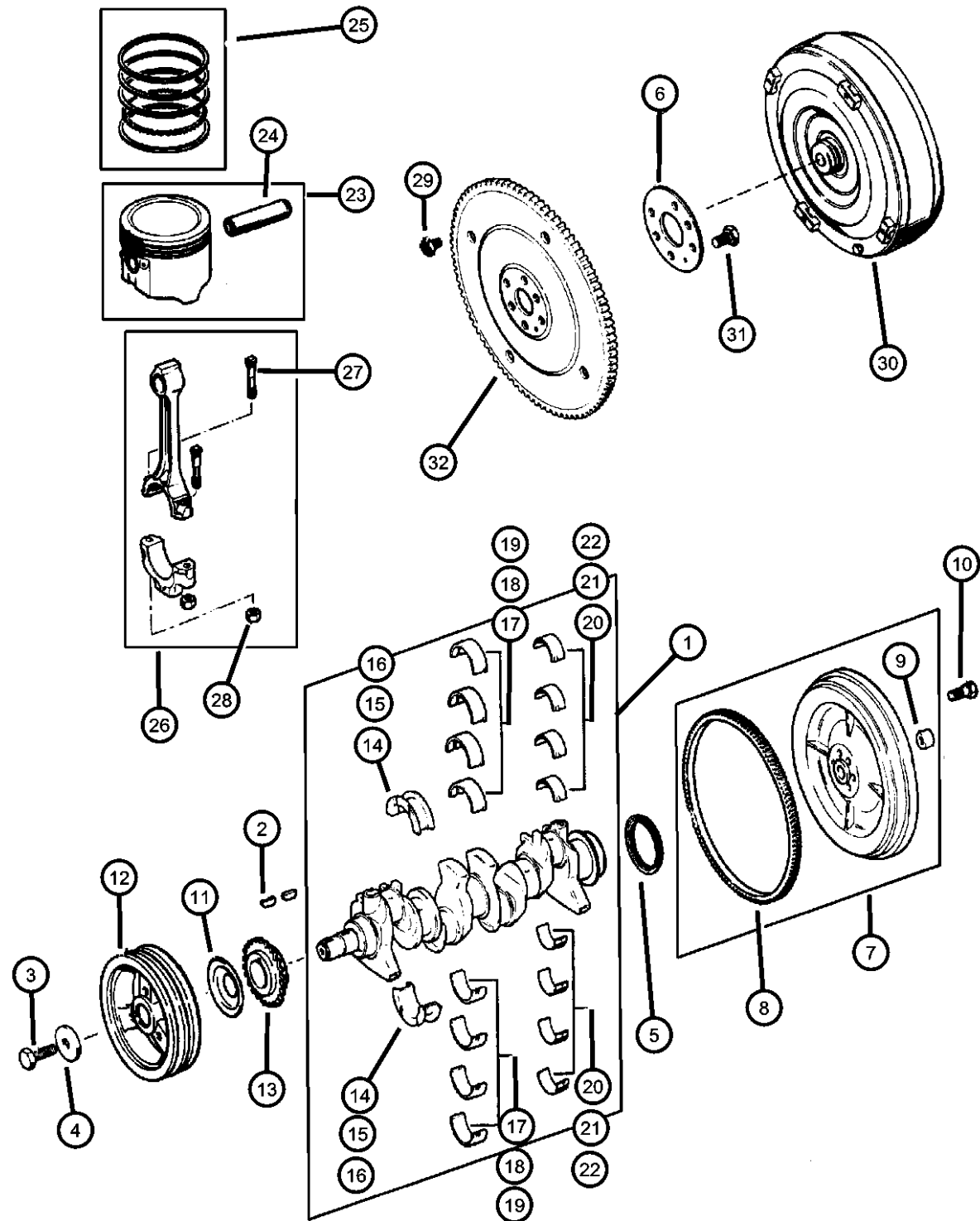
ENGINE
 EPE = ENGINE - 2.5L POWER TECH I-4 Cyl.
 ERH = ENGINE - 4.0L POWER TECH I-6

TRANSMISSION
 DDD = TRANSMISSION - 5-SPEED HD MANUAL
 DDQ = TRANSMISSION - 5-SPEED MANUAL
 DGD = TRANSMISSION - 3-SPD. AUTOMATIC,30RH
 DGG = TRANSMISSION - 3-SPD. AUTOMATIC,32RH
 DG0 = All Automatic Transmissions
 DBB = All Manual Transmissions
 DD0 = All 5 Speed Manual Transmissions

AR = use ase required - = Non illustrated part

2000 TJ

Crankshaft, Piston and Torque Converter
Figure 2.5L4-410



ITEM	PART NUMBER	QTY	LINE	SERIES	BODY	ENGINE	TRANS	TRIM	DESCRIPTION
Note; Sales Codes [DBB]= All Manual Transmissions [DGD]= 3 Speed Automatic Transmissions, 30RH [DGO]= All Automatic Transmissions [EP0]= All 2.5L, 4 Cylinder Gas Engines [ER0]= All 4.0L, 6 Cylinder Gas Engines									
1	04713051AB	1				EP0			CRANKSHAFT
2	06034749	1				EP0, ER0			KEY, Crankshaft Sprocket
3	00182776	1				EP0, ER0			BOLT
4	J3230155	1				EP0, ER0			WASHER, Plain
5	33004143	1				EP0			SEAL, Rear Main Crankshaft
6	52117830	1				EP0	DG0		ADAPTER, Torque Converter
7	53020578	1				EP0	DBB		FLYWHEEL
8	J3241718	1				EP0	DBB		GEAR, Ring
9	J3250005	1				EP0	DBB		BEARING, Pilot
10	J4007123	6				EP0	DBB		BOLT, Flywheel
11	J3173076	1				EP0, ER0			SLINGER, Oil
12									DAMPER, Crankshaft
	33002879	1				EP0			
	33002920	1				ER0			Use Up to 2/11/00
	33002920AB	1				ER0			Use After 2/11/00
13	33004020	1				EP0			GEAR, Crankshaft
14	83507084	1				EP0, ER0			BEARING PACKAGE, Crankshaft Thrust, Standard Size
15	83507086	AR				EP0, ER0			BEARING PACKAGE, Crankshaft Thrust, .001" Undersize
16	83507090	AR				EP0, ER0			BEARING PACKAGE, Crankshaft Thrust, .010" Undersize
17	83507079	4				EP0			BEARING PACKAGE, Crankshaft, Standard
18	83507080	AR				EP0, ER0			BEARING PACKAGE, Crankshaft, .001 Undersize
19	83507083	AR				EP0, ER0			BEARING PACKAGE, Crankshaft, .010 Undersize
20	83500300	8				EP0			BEARING KIT, Connecting Rod, Standard

WRANGLER (TJ)

SERIES	LINE
H = Sport	J = Wrangler 4WD
L = SE	U = Wrangler 4WD (RHD)
P = Sahara	

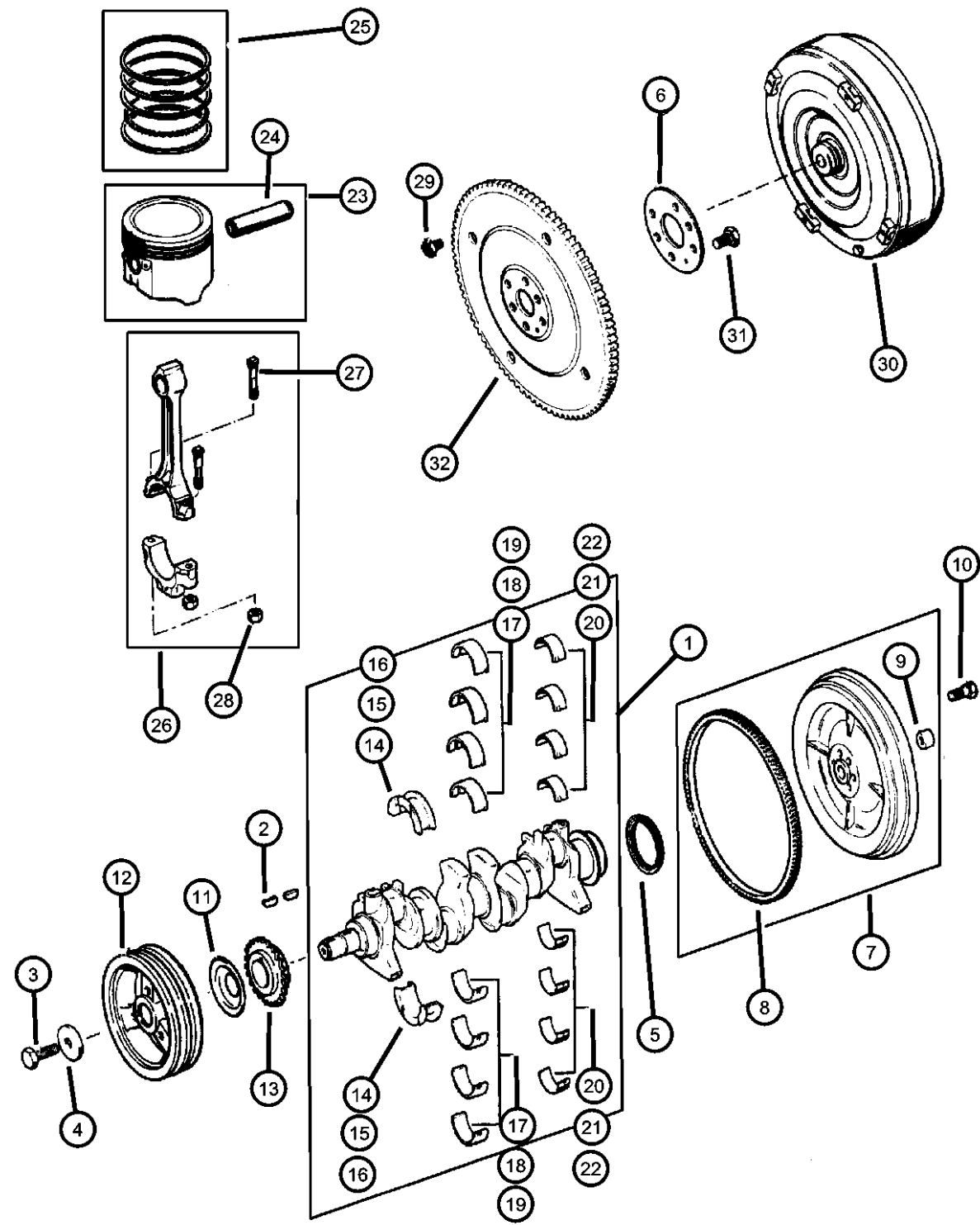
BODY
 77 = 93.4 WB

ENGINE
 EPE = ENGINE - 2.5L POWER TECH I-4 Cyl.
 ERH = ENGINE - 4.0L POWER TECH I-6

TRANSMISSION
 DDD = TRANSMISSION - 5-SPEED HD MANUAL
 DDQ = TRANSMISSION - 5-SPEED MANUAL
 DGD = TRANSMISSION - 3-SPD. AUTOMATIC, 30RH
 DGG = TRANSMISSION - 3-SPD. AUTOMATIC, 32RH
 DGO = All Automatic Transmissions
 DBB = All Manual Transmissions
 DD0 = All 5 Speed Manual Transmissions

AR = use ase required - = Non illustrated part

Crankshaft, Piston and Torque Converter
Figure 2.5L4-410



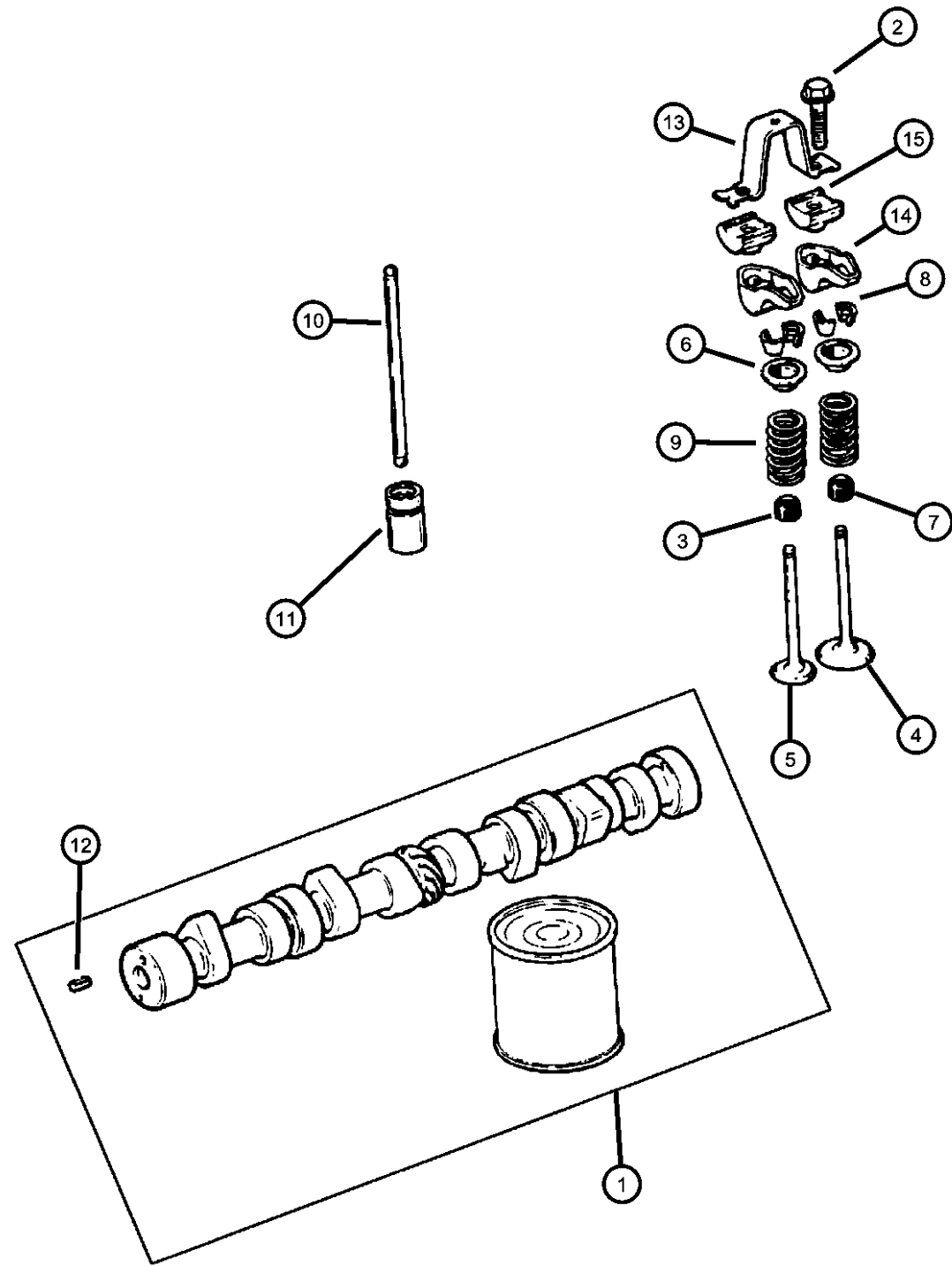
ITEM	PART NUMBER	QTY	LINE	SERIES	BODY	ENGINE	TRANS	TRIM	DESCRIPTION
21	83501397	AR				EP0, ER0			BEARING KIT, Connecting Rod, .001 Undersize
22	83500301	AR				EP0, ER0			BEARING KIT, Connecting Rod, .010 Undersize
23									PISTON PIN AND ROD
	04798329	4				EP0			B Size, 3.8746
	04798330	4				EP0			C Size, 3.8750
	04798331	4				EP0			D Size, 3.8754
	04798332	4				EP0			E Size, 3.8758
	04798333	4				EP0			F Size, 3.8762
24	04798333	4							PIN, Piston, Serviced in Piston Assembly, (NOT SERVICED),
25	04798324	1				EP0			RING PACKAGE, Piston, Standard Size Complete Engine
26	04798324	1							ROD, Connecting, Serviced in Piston Assembly, (NOT SERVICED)
27	53020123	8				EP0			BOLT, Connecting Rod
28	J4006385	8				EP0			NUT, Hex Flange, .3437-24
29	06501099	4	J				DGD		BOLT, Hex Head, M10x1.50 x 13.20
30	04736388AB R4736388AB U4736388AB	1	J			EP0	DGD		CONVERTER, Torque Mopar Remanufactured Part Core Part
31	06034780	6				EP0	DG0		BOLT, Hex Head, .437-24x1.20
32	52104139	1				EP0	DG0		PLATE, Torque Converter Drive

WRANGLER (TJ)

SERIES	LINE	BODY	ENGINE	TRANSMISSION
H = Sport	J = Wrangler 4WD	77 = 93.4 WB	EPE = ENGINE - 2.5L POWER TECH I-4 Cyl.	DDD = TRANSMISSION - 5-SPEED HD MANUAL
L = SE	U = Wrangler 4WD (RHD)		ERH = ENGINE - 4.0L POWER TECH I-6	DDQ = TRANSMISSION - 5-SPEED MANUAL
P = Sahara				DGD = TRANSMISSION - 3-SPD. AUTOMATIC,30RH
				DGG = TRANSMISSION - 3-SPD. AUTOMATIC,32RH
				DG0 = All Automatic Transmissions
				DBB = All Manual Transmissions
				DD0 = All 5 Speed Manual Transmissions

AR = use ase required - = Non illustrated part

Camshaft and Valves
Figure 2.5L4-510



ITEM	PART NUMBER	QTY	LINE	SERIES	BODY	ENGINE	TRANS	TRIM	DESCRIPTION
NOTE: EP0=All 2.5L Gas Engines									
1	53020497	1				EP0			CAMSHAFT, Engine
2	J9425708	8				EP0			BOLT, Hex Flange Head, .312-18x1.25
3	53009887	4				EP0			SEAL, Valve Guide
4	53010512AA	4				EP0			VALVE, Intake, Standard
5	53010513AA	4				EP0			VALVE, Exhaust, Standard
6	53010514AA	8				EP0			RETAINER, Valve Spring
7	53009886	4				EP0			SEAL, Valve Guide
8	53010515AA	16				EP0			LOCK, Valve Spring Retainer
9	53010388	12				ER0			SPRING, Valve
10	J3241709	8				EP0			PUSH ROD, FRONT SUSPENSION
11	04740269	8				EP0			TAPPET, Valve
12	J0456384	1				EP0			DOWEL, Camshaft Sprocket
13	J3236513	4				EP0			BRIDGE, Rocker Arm
14	J3242393	8				EP0			ROCKER ARM, Valve
15	J3235090	8				EP0			PIVOT, Rocker Arm

WRANGLER (TJ)

SERIES LINE
H = Sport J = Wrangler 4WD
L = SE U = Wrangler 4WD (RHD)
P = Sahara

BODY
77 = 93.4 WB

ENGINE
EPE = ENGINE - 2.5L POWER TECH I-4 Cyl.
ERH = ENGINE - 4.0L POWER TECH I-6

TRANSMISSION
DDD = TRANSMISSION - 5-SPEED HD MANUAL
DDQ = TRANSMISSION - 5-SPEED MANUAL
DGD = TRANSMISSION - 3-SPD. AUTOMATIC,30RH
DGG = TRANSMISSION - 3-SPD. AUTOMATIC,32RH
DGO = All Automatic Transmissions
DBB = All Manual Transmissions
DD0 = All 5 Speed Manual Transmissions

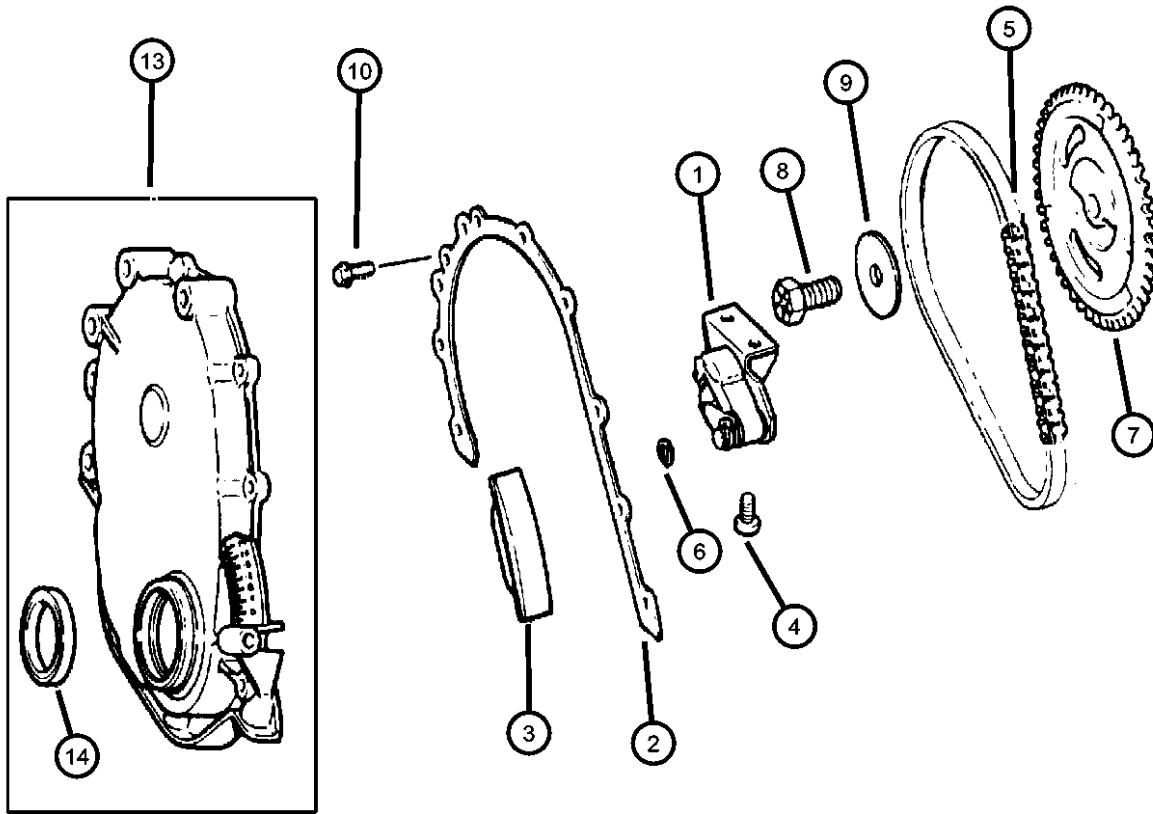
AR = use ase required - = Non illustrated part

**Timing Cover
Figure 2.5L4-610**

ITEM	PART NUMBER	QTY	LINE	SERIES	BODY	ENGINE	TRANS	TRIM	DESCRIPTION
------	-------------	-----	------	--------	------	--------	-------	------	-------------

NOTE: EP0=All 2.5L Gas Engines
ERO= All 4.0L Gas Engines

1	33003421	1				EP0			TENSIONER, Belt
2	53020487	1				EP0			GASKET, Front Cover
3	33003446	1				EP0, ERO			SNUBBER, Timing Chain
4	J4006708	2				EP0			SCREW, Pan Head, .312-18x.56
5	J3242300	1				EP0			CHAIN, Timing
6	J3242300	1							CLIP, Serviced in Tensioner Assembly, (NOT SERVICED)
7	J3242280	1				EP0			GEAR, Camshaft
8	J3243156	1				EP0			BOLT, Hex Flange Head, .50-20x1.38
9	J3173284	1				EP0			WASHER, Flat, .206 Diameter
10	06035893	5				EP0, ERO			BOLT, Hex
-11	06035894	2				EP0, ERO			SCREW
-12	06035895	1				EP0			SCREW
13	53020222	1				EP0			COVER, Timing Belt
14	33004681	1				EP0			SEAL, Front Main Crankshaft



WRANGLER (TJ)

SERIES	LINE	BODY
H = Sport	J = Wrangler 4WD	77 = 93.4 WB
L = SE	U = Wrangler 4WD (RHD)	
P = Sahara		

BODY
77 = 93.4 WB

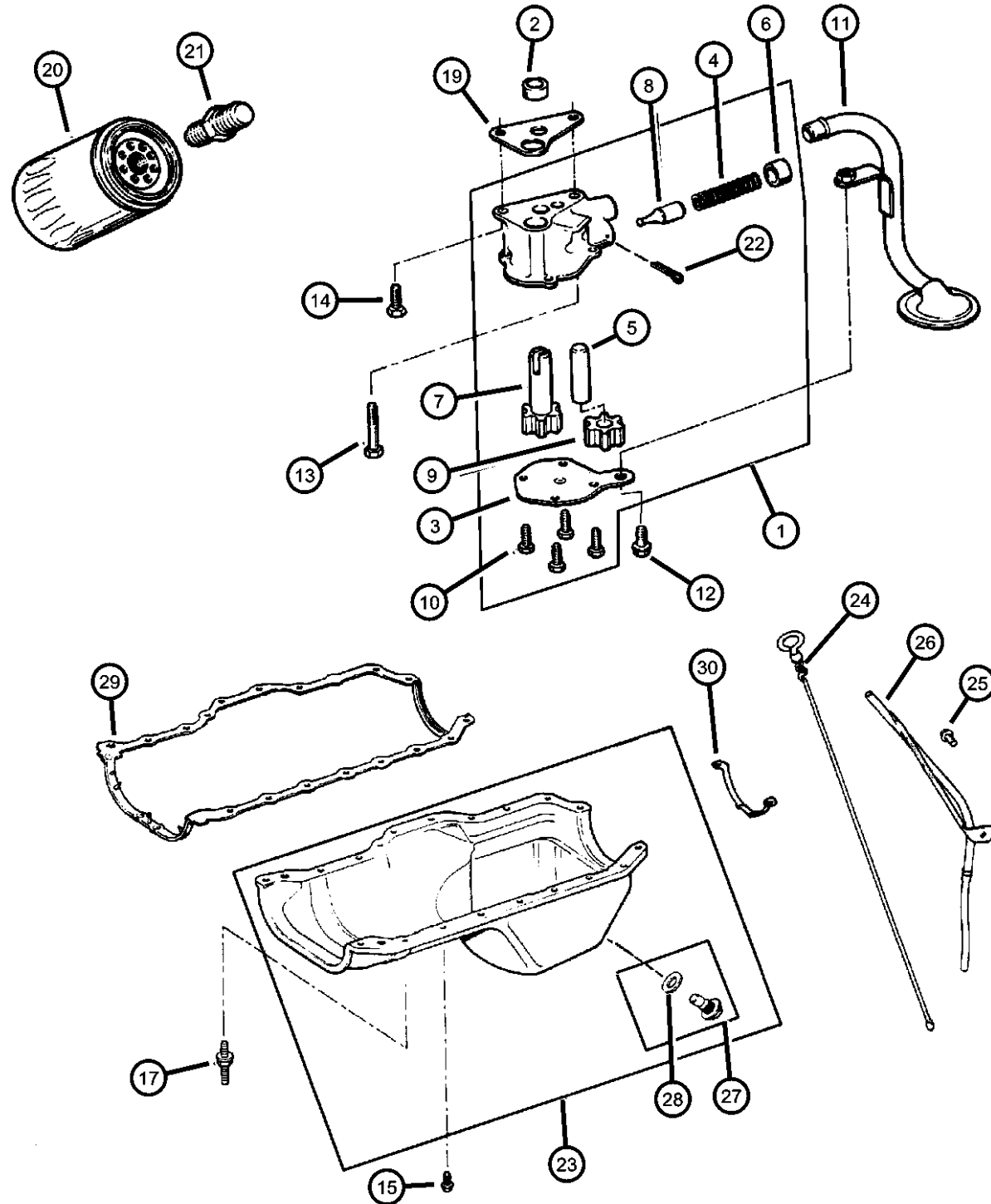
ENGINE
EPE = ENGINE - 2.5L POWER TECH I-4 Cyl.
ERH = ENGINE - 4.0L POWER TECH I-6

TRANSMISSION
DDD = TRANSMISSION - 5-SPEED HD MANUAL
DDQ = TRANSMISSION - 5-SPEED MANUAL
DGD = TRANSMISSION - 3-SPD. AUTOMATIC, 30RH
DGG = TRANSMISSION - 3-SPD. AUTOMATIC, 32RH
DGO = All Automatic Transmissions
DBB = All Manual Transmissions
DDO = All 5 Speed Manual Transmissions

AR = use ase required - = Non illustrated part

2000 TJ

**Engine Oiling
Figure 2.5L4-710**



ITEM	PART NUMBER	QTY	LINE	SERIES	BODY	ENGINE	TRANS	TRIM	DESCRIPTION
------	-------------	-----	------	--------	------	--------	-------	------	-------------

NOTE: EP0=All 2.5L Gas Engines
ERO= All 4.0L Gas Engines

1	J3241399	1				EP0			PUMP, Engine Oil
2	J4005149	1				EP0, ERO			DOWEL, Oil Pump
3	J3241733	1				EP0			COVER, Engine Oil Pump
4	J3239668	1				EP0			SPRING, Oil Pressure Relief Valve
5	J3171956	1				EP0			SHAFT, Oil Pump
6	J3171958	1				EP0			RETAINER, Oil Release Valve
7	J3172334	1				EP0			GEAR, Oil Pump
8	J3188661	1				EP0			PLUNGER, Oil Pressure Relief Valve
9	J3196843	1				EP0			GEAR, Oil Pump Driven
10	J9416852	4				EP0			SCREW, Hex Flange Head, .25-20x.50
11	53020564	1				EP0			TUBE, Oil Pump Inlet
12	53020564	1							BOLT, .312-18x.625, (NOT SERVICED)
13	00154593	1				EP0, ERO			SCREW, Hex Head Coned, .312-18x2.625
14	06022235	1				EP0, ERO			BOLT AND WASHER, Hex Head, .312-18x1.00
15	06034732	13				EP0			SCREW AND WASHER, Hex Head, .25-20x.545
-16	06034483	3				EP0			SCREW, Hex Head Coned, .312-18x.875
17	06034734	6				EP0			BOLT, Double Stud Hex, .250-20x1.437 & .250-20 x.700
-18	06034733	1				EP0			STUD, .312-18/.250-20x1.680
19	J3172332	1				EP0, ERO			GASKET, Oil Pump
20	05281090	1				EP0, ERO			FILTER, Engine Oil
	0FE00292								Canadian Aftermarket Part
	05281090BA								BULK PACK (12)
21	53007563	1				EP0, ERO			CONNECTOR, Oil Filter
22	J0271448	1				EP0			PIN, Roll, 5/32" x 1.00"
23	53020560	1				EP0			PAN, Engine Oil

WRANGLER (TJ)

SERIES LINE
H = Sport J = Wrangler 4WD
L = SE U = Wrangler 4WD (RHD)
P = Sahara

BODY
77 = 93.4 WB

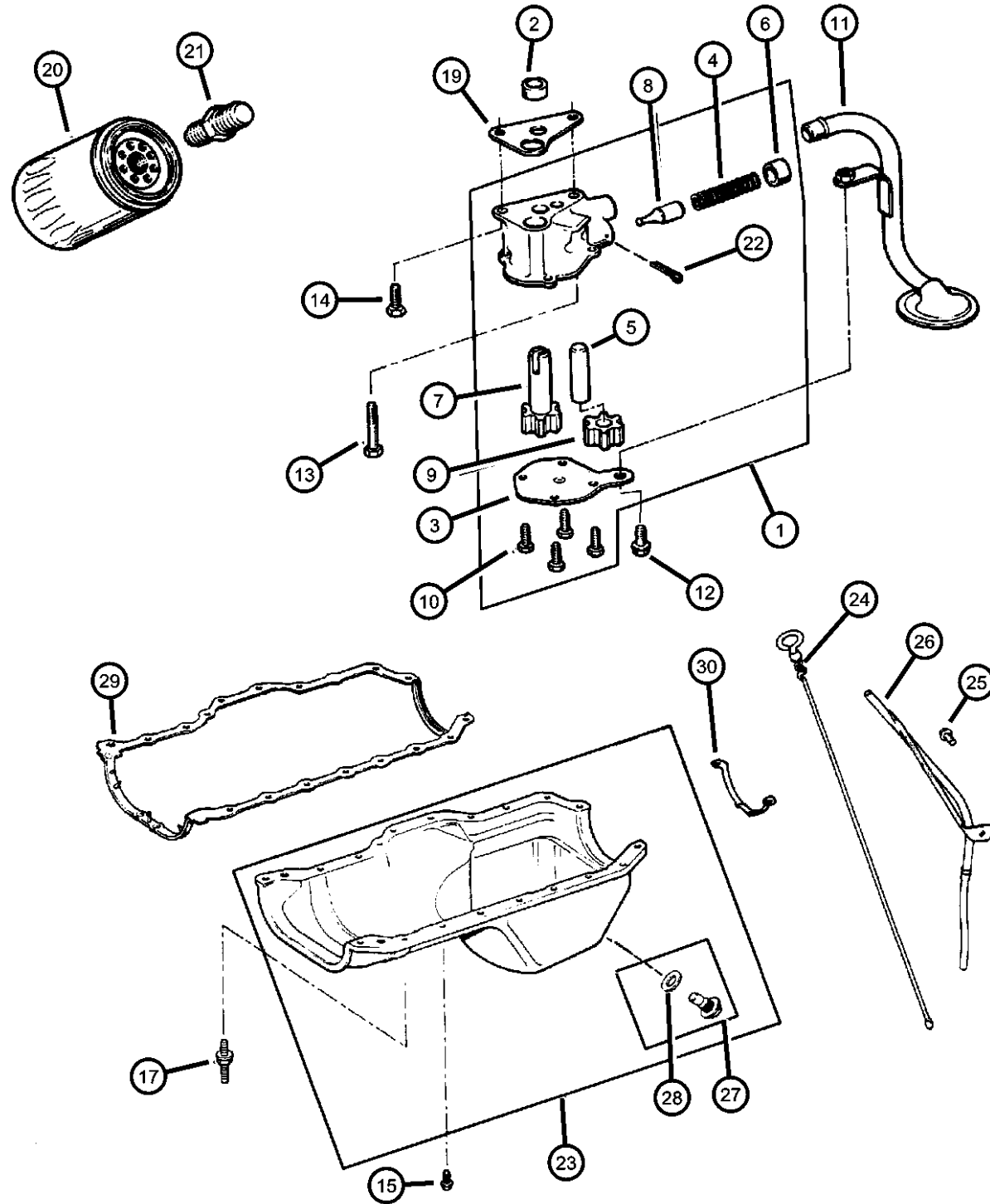
ENGINE
EPE = ENGINE - 2.5L POWER TECH I-4 Cyl.
ERH = ENGINE - 4.0L POWER TECH I-6

TRANSMISSION
DDD = TRANSMISSION - 5-SPEED HD MANUAL
DDQ = TRANSMISSION - 5-SPEED MANUAL
DGD = TRANSMISSION - 3-SPD. AUTOMATIC,30RH
DGG = TRANSMISSION - 3-SPD. AUTOMATIC,32RH
DGO = All Automatic Transmissions
DBB = All Manual Transmissions
DD0 = All 5 Speed Manual Transmissions

AR = use ase required - = Non illustrated part

2000 TJ

Engine Oiling
Figure 2.5L4-710



ITEM	PART NUMBER	QTY	LINE	SERIES	BODY	ENGINE	TRANS	TRIM	DESCRIPTION
24	53010444AB	1				EP0			INDICATOR, Engine Oil Level
25	06035664	1				EP0, ER0			STUD, .312-18x1.560
26	53010343	1				EP0			TUBE, Oil Filler
27	06035417	1				EP0			PLUG, Oil Drain
28	06035417	1							GASKET, Oil Drain Plug, Serviced in Plug, (NOT SERVICED)
29	53007567	1				EP0			GASKET, Oil Pan
30	J3243116	1				EP0			SUPPORT, Engine Oil Pan

WRANGLER (TJ)

SERIES LINE
H = Sport J = Wrangler 4WD
L = SE U = Wrangler 4WD (RHD)
P = Sahara

BODY
77 = 93.4 WB

ENGINE
EPE = ENGINE - 2.5L POWER TECH I-4 Cyl.
ERH = ENGINE - 4.0L POWER TECH I-6

TRANSMISSION
DDD = TRANSMISSION - 5-SPEED HD MANUAL
DDQ = TRANSMISSION - 5-SPEED MANUAL
DGD = TRANSMISSION - 3-SPD. AUTOMATIC,30RH
DGG = TRANSMISSION - 3-SPD. AUTOMATIC,32RH
DG0 = All Automatic Transmissions
DBB = All Manual Transmissions
DD0 = All 5 Speed Manual Transmissions

AR = use ase required - = Non illustrated part

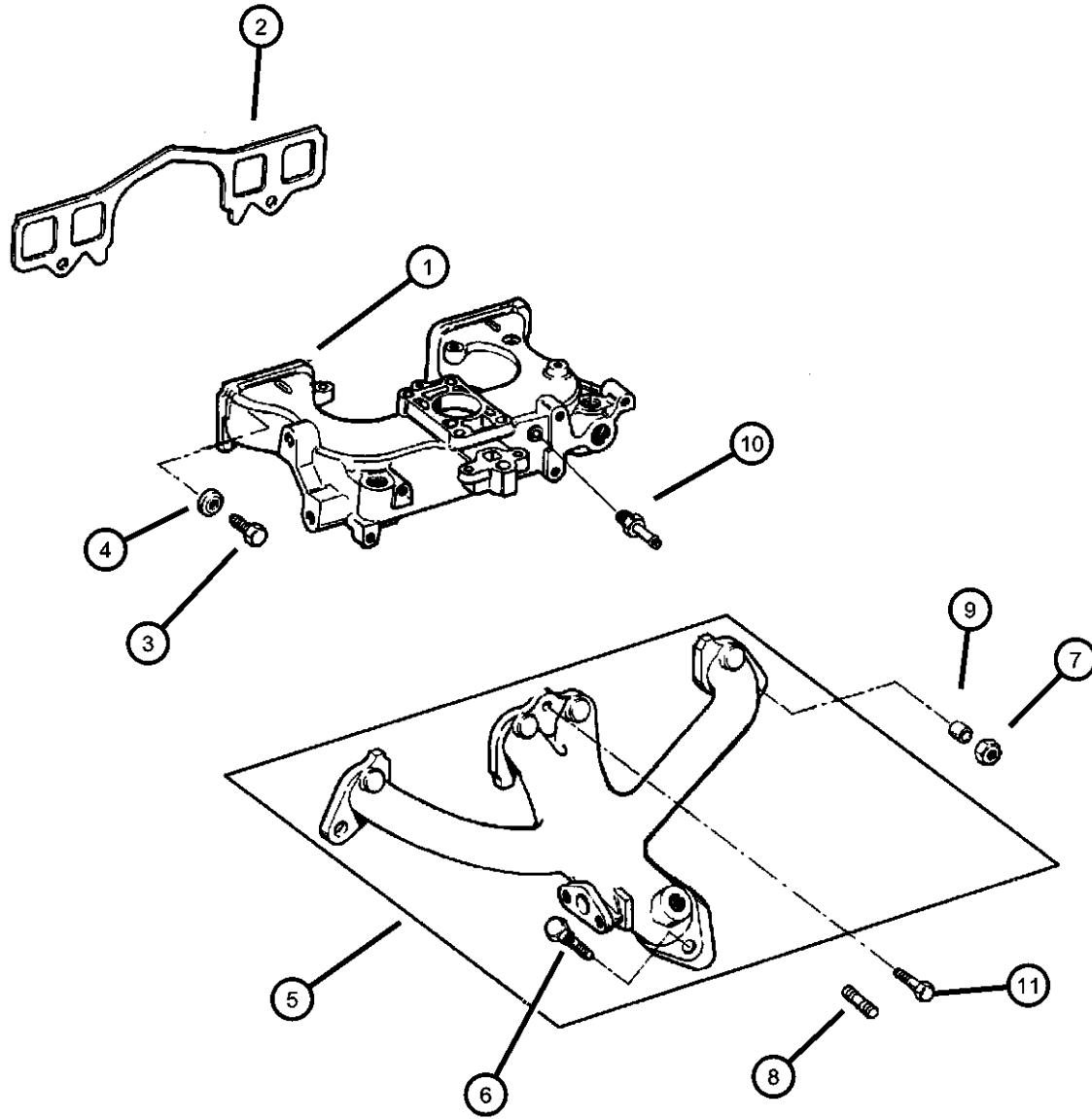
2000 TJ

**Manifold, Intake and Exhaust
Figure 2.5L4-810**

ITEM	PART NUMBER	QTY	LINE	SERIES	BODY	ENGINE	TRANS	TRIM	DESCRIPTION
------	-------------	-----	------	--------	------	--------	-------	------	-------------

NOTE: EP0=All 2.5L Gas Engines
ERO= All 4.0L Gas Engines,

1	53010245	1				EP0			MANIFOLD, Intake
2	53020112	1				EP0			GASKET, Intake Manifold
3	06036045AA	4				EP0			BOLT AND RETAINER, Hex Head
4	06036171AA	2				EP0, ERO			NUT AND WASHER
5	53008860	1				EP0			MANIFOLD, Exhaust
6	J4007109	2				EP0			STUD, .375-16x1.69
7	06036171AA	2				EP0, ERO			NUT AND WASHER
8	06036193AA	2				EP0, ERO			STUD, .375-16/.375-24x1.75
9	33003332	2				EP0			SPACER, Exhaust Manifold
10	04854194	1				EP0			FITTING, Vacuum
11	06036045AA	1				EP0			BOLT AND RETAINER, Hex Head



WRANGLER (TJ)

SERIES	LINE
H = Sport	J = Wrangler 4WD
L = SE	U = Wrangler 4WD (RHD)
P = Sahara	

BODY
77 = 93.4 WB

ENGINE
EPE = ENGINE - 2.5L POWER TECH I-4 Cyl.
ERH = ENGINE - 4.0L POWER TECH I-6

TRANSMISSION
DDD = TRANSMISSION - 5-SPEED HD MANUAL
DDQ = TRANSMISSION - 5-SPEED MANUAL
DGD = TRANSMISSION - 3-SPD. AUTOMATIC,30RH
DGG = TRANSMISSION - 3-SPD. AUTOMATIC,32RH
DG0 = All Automatic Transmissions
DBB = All Manual Transmissions
DD0 = All 5 Speed Manual Transmissions

AR = use ase required - = Non illustrated part

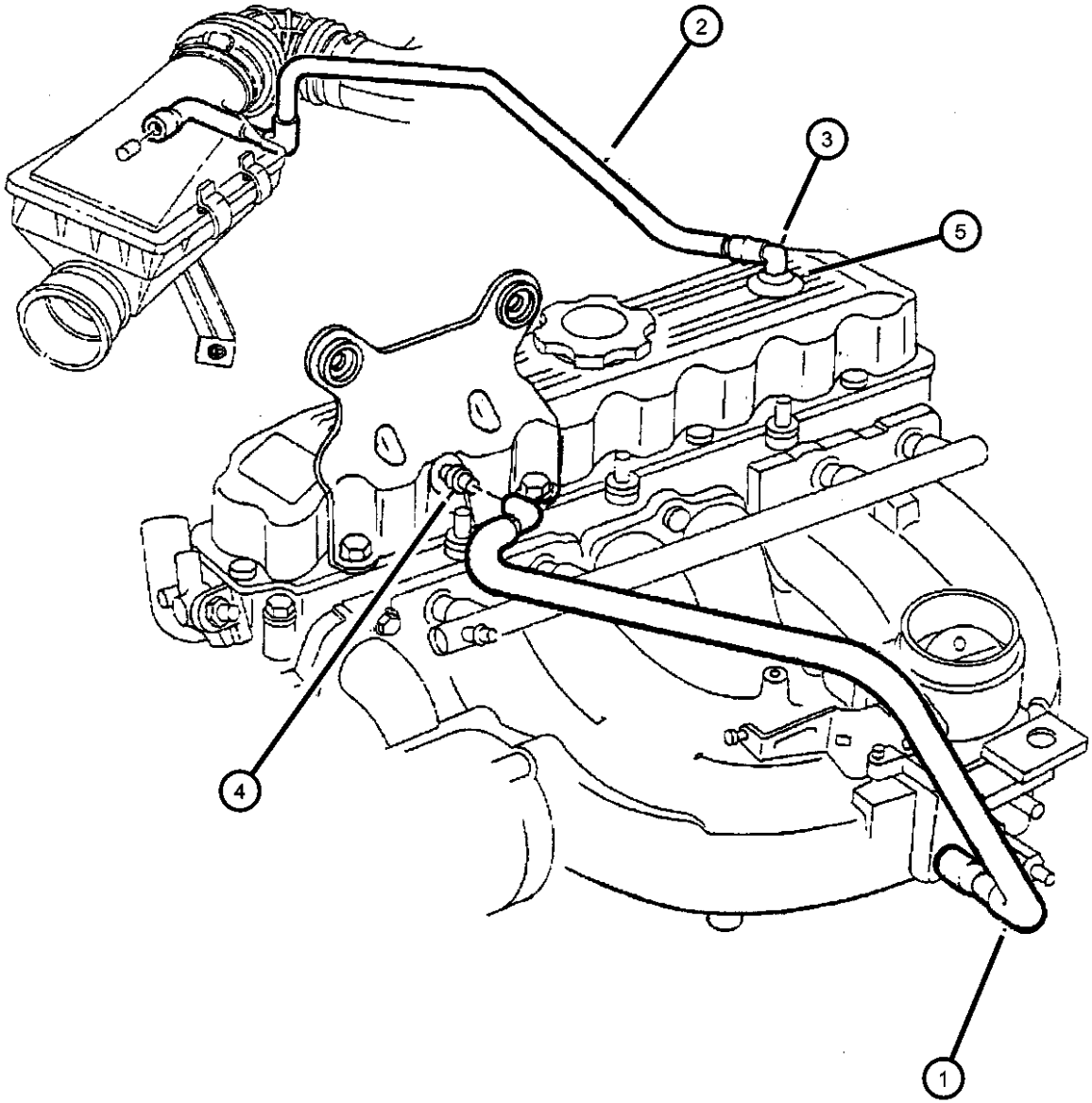
2000 TJ

**Crankcase Ventilation
Figure 2.5L4-910**

ITEM	PART NUMBER	QTY	LINE	SERIES	BODY	ENGINE	TRANS	TRIM	DESCRIPTION
------	-------------	-----	------	--------	------	--------	-------	------	-------------

NOTE: EP0=All 2.5L Gas Engines
ERO= All 4.0L Gas Engines

1	04854072	1				EP0			TUBE, Vent
2	53030614	1				EP0			TUBE, Crankcase Vent Valve
3	53030497	1				EP0, ERO			FITTING, Crankcase Vent Tube
4	33004175	1				EP0			CONNECTOR, Vacuum Hose
5	02946079	1				EP0			GROMMET, Crankcase Vent



WRANGLER (TJ)

SERIES	LINE	BODY	ENGINE	TRANSMISSION
H = Sport	J = Wrangler 4WD	77 = 93.4 WB	EPE = ENGINE - 2.5L POWER TECH I-4 Cyl.	DDD = TRANSMISSION - 5-SPEED HD MANUAL
L = SE	U = Wrangler 4WD (RHD)		ERH = ENGINE - 4.0L POWER TECH I-6	DDQ = TRANSMISSION - 5-SPEED MANUAL
P = Sahara				DGD = TRANSMISSION - 3-SPD. AUTOMATIC,30RH
				DGG = TRANSMISSION - 3-SPD. AUTOMATIC,32RH
				DG0 = All Automatic Transmissions
				DBB = All Manual Transmissions
				DD0 = All 5 Speed Manual Transmissions

AR = use ase required - = Non illustrated part

Group - 4.0L

Engine 4.0L Six Cylinder

Group - 4.0L Engine 4.0L Six Cylinder

Illustration Title

Group-Fig. No.

Cylinder Head

Cylinder Head Fig. 4.0L - 210

Cylinder Block

Cylinder Block Fig. 4.0L - 310

Crankshaft, Piston and Torque Converter

Crankshaft, Piston and Torque Converter Fig. 4.0L - 410

Camshafts & Valves

Camshaft and Valves Fig. 4.0L - 510

Timing Belt and Cover

Timing Cover Fig. 4.0L - 610

Engine Oiling

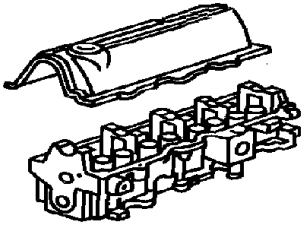
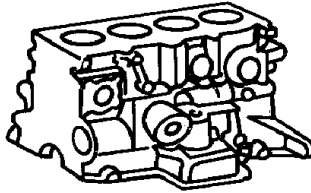
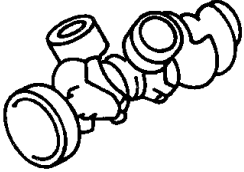
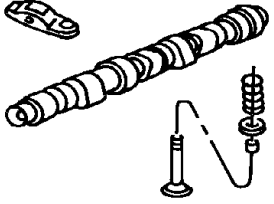
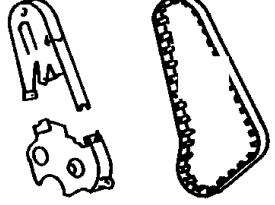
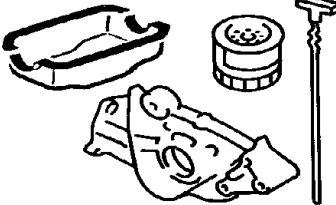
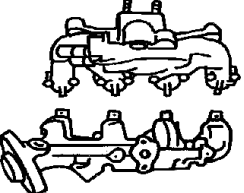
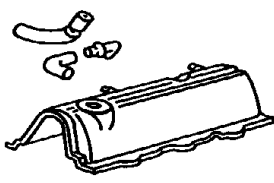
Engine Oiling Fig. 4.0L - 710

Manifolds

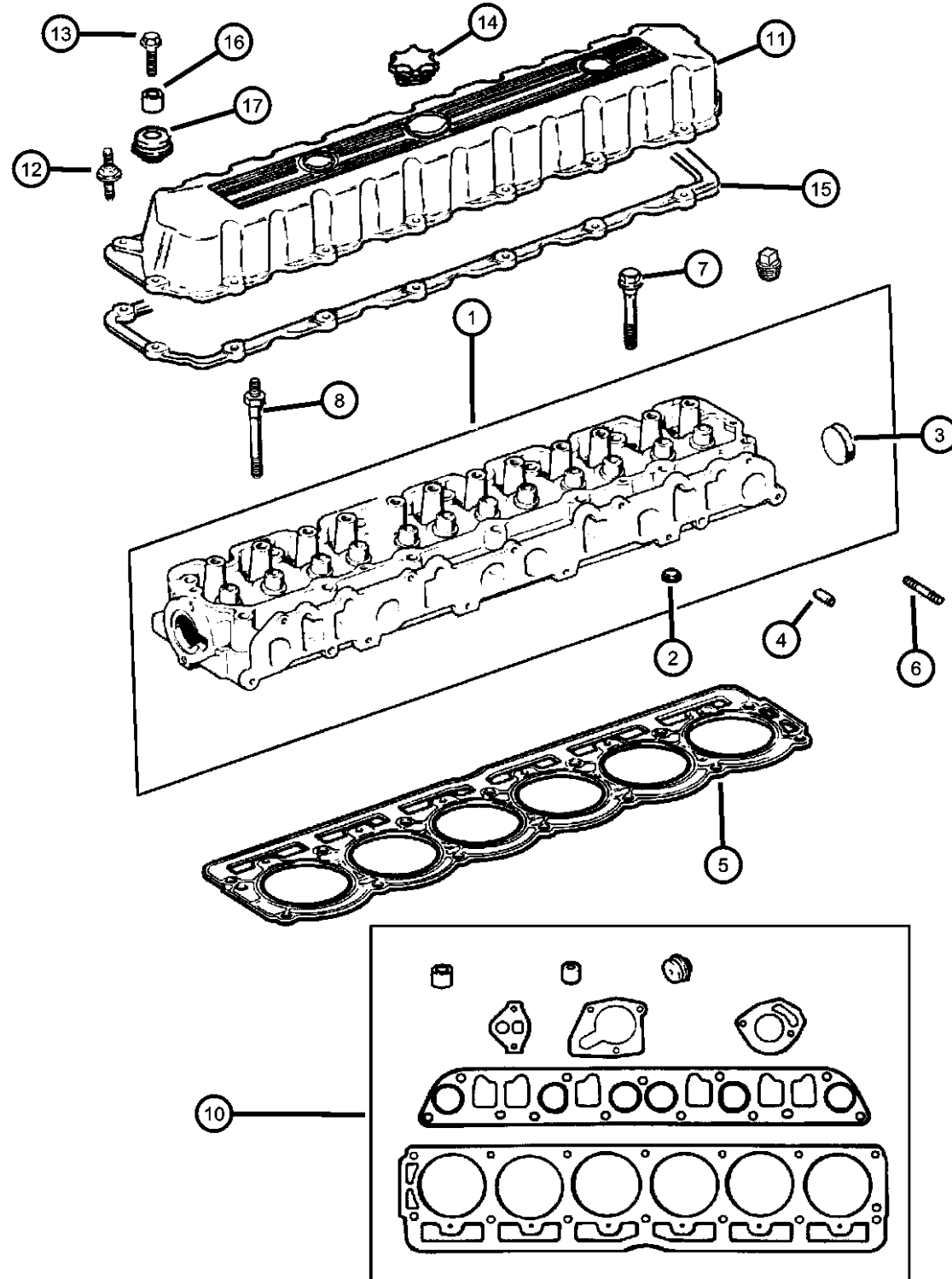
Manifold, Intake and Exhaust Fig. 4.0L - 810

Crankcase Ventilation

Crankcase Ventilation Fig. 4.0L - 910

<p>4.0L-200 Cylinder Head</p> 	<p>4.0L-300 Cylinder Block</p> 	<p>4.0L-400 Crankshaft, Piston and Torque Converter</p> 	<p>4.0L-500 Camshafts & Valves</p> 
<p>4.0L-600 Timing Belt and Cover</p> 	<p>4.0L-700 Engine Oiling</p> 	<p>4.0L-800 Manifolds</p> 	<p>4.0L-900 Crankcase Ventilation</p> 

**Cylinder Head
Figure 4.0L-210**



NOTE: ER0=All 4.0L Engines, EPO= All 2.5L Engines

ITEM	PART NUMBER	QTY	LINE	SERIES	BODY	ENGINE	TRANS	TRIM	DESCRIPTION
1	53010334	1				ER0			HEAD, Cylinder
2	J4007434	4				ER0			PLUG, Cylinder Block Oil Hole
3	J3105394	1				ER0			PLUG, Cylinder Block Oil Hole
4	J3172318	2				EP0, ER0			DOWEL, Cylinder Head To Intake
5	53020754AB	1				ER0			GASKET, Cylinder Head
6	06036193AA	2				EP0, ER0			STUD, .375-16/.375-24x1.75
7									BOLT, Cylinder Head
	06035514	5				ER0			w/o Dome Head
	06035515	2				ER0			w/Dome Head
8	06035516	6				ER0			STUD, Double Ended, .50-13/.437-14x6.00
-9	06036162AA	1				ER0			STUD, Double Ended, [.50-13/.437-14x6.0]
10	05012365AA	1				ER0			GASKET PACKAGE, Engine Upper
11	53020323	1				ER0			COVER, Cylinder Head
12	06035968AA	7				ER0			STUD, .250-20x2.00
13	06035566	8				ER0			BOLT, Hex Flange Head, .250-20x1.00
14	04777536	1				ER0			CAP, Oil Filler
15	53020758AC	1				ER0			GASKET, Valve Cover
16	53020598AB	15				ER0			SLEEVE, Torque Limiter
17	53010424	15				ER0			GROMMET, Insulator

WRANGLER (TJ)

SERIES LINE
H = Sport J = Wrangler 4WD
L = SE U = Wrangler 4WD (RHD)
P = Sahara

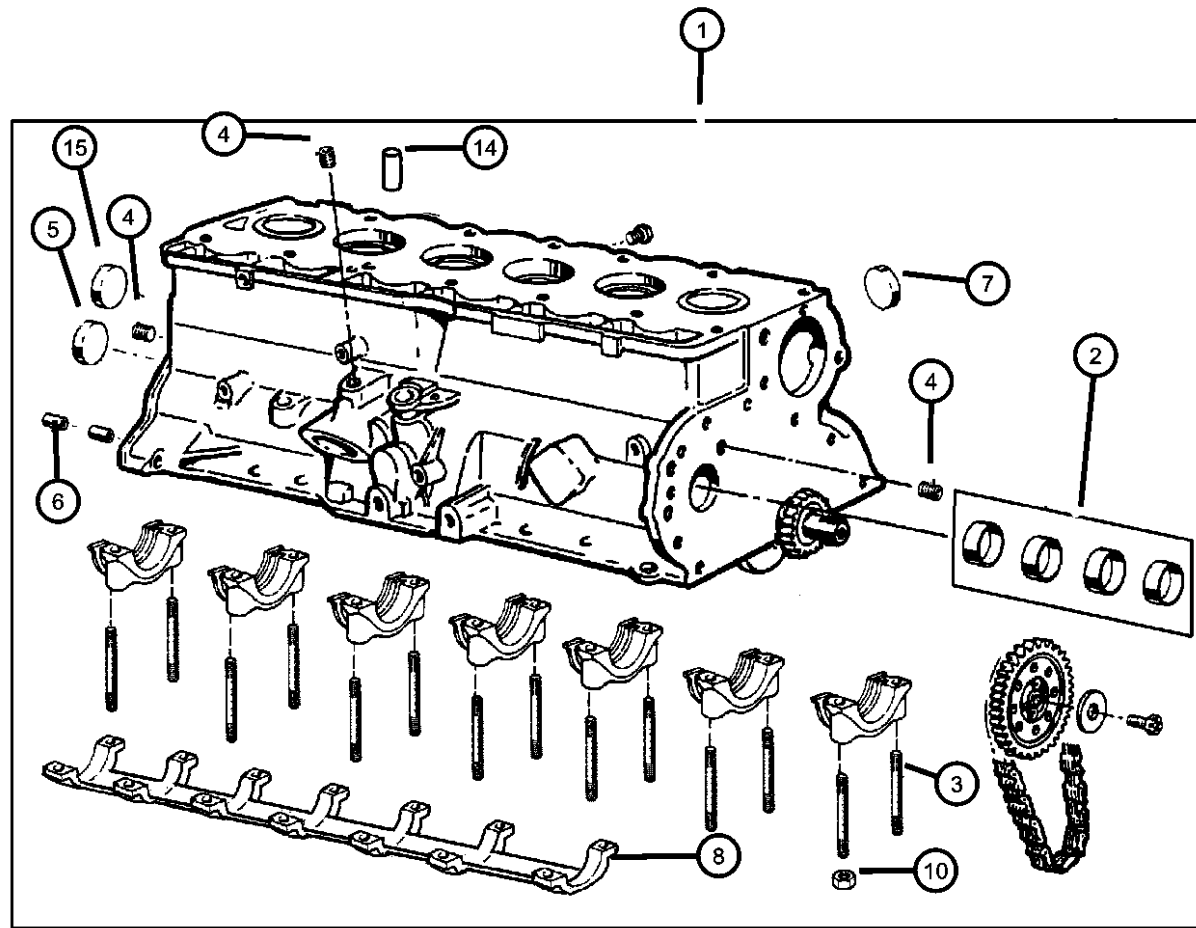
BODY
77 = 93.4 WB

ENGINE
EPE = ENGINE - 2.5L POWER TECH I-4 Cyl.
ERH = ENGINE - 4.0L POWER TECH I-6

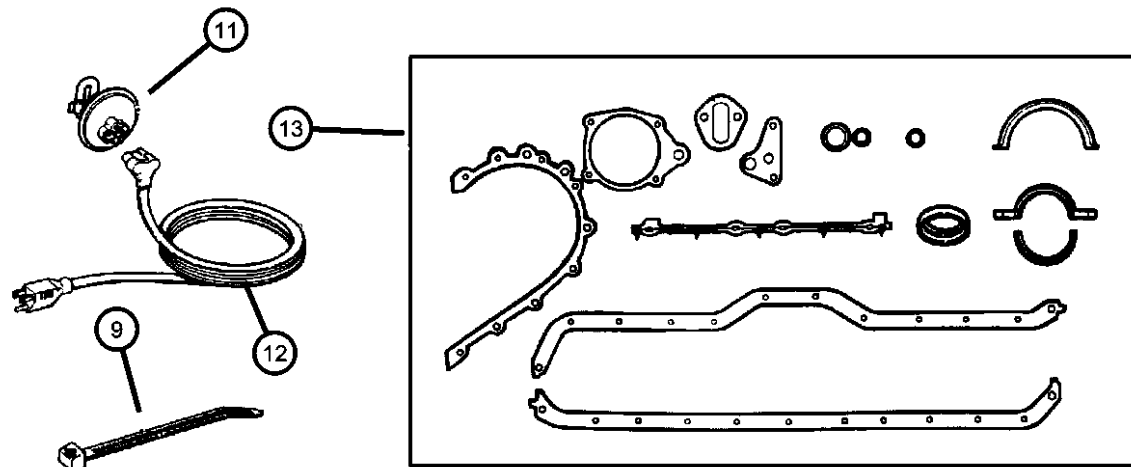
TRANSMISSION
DDD = TRANSMISSION - 5-SPEED HD MANUAL
DDQ = TRANSMISSION - 5-SPEED MANUAL
DGD = TRANSMISSION - 3-SPD. AUTOMATIC,30RH
DGG = TRANSMISSION - 3-SPD. AUTOMATIC,32RH
DGO = All Automatic Transmissions
DBB = All Manual Transmissions
DDO = All 5 Speed Manual Transmissions

AR = use ase required - = Non illustrated part

**Cylinder Block
Figure 4.0L-310**



ITEM	PART NUMBER	QTY	LINE	SERIES	BODY	ENGINE	TRANS	TRIM	DESCRIPTION
NOTE: ER0=All 4.0L Engines EPO= All 2.5L Gas Engines									
1	05013161AC	1				ER0			BLOCK, Short, Contains: Crank, Rods, Pistons, Rings, Cam Bearings, Timing Chain, Sprockets
	R2640492AA								Mopar Reman Long Block
	U2640492AA								99-04(WJ), 00-04(TJ) Core Part
2	04636985AB	1				ER0			BEARING PACKAGE, Camshaft, Standard Size
3	06035207	14				ER0			STUD, .500-13/.375-16x3.97
4									PLUG, Cylinder Block Oil Hole
	06034166	3				ER0			
	J4200413	2				EP0, ER0			
5	J3172313	1				EP0			PLUG, Camshaft
6	J4005148	2				ER0			DOWEL, Transmission
7	J3105394	6				ER0			PLUG, Cylinder Block Oil Hole
8	53020566	1				ER0			BRACE, Main Bearing Cap
9	04641780	1							STRAP, Tie
10	00152474	14				ER0			NUT, Hex Flange Lock, .375-16
11	82201506	1				ER0			HEATER PACKAGE, Engine Block
12	56016834	1				EP0, ER0			CORD, Engine Block Heater
13	04740008AC	1				ER0			GASKET PACKAGE, Engine Lower
14	00141215	2				ER0			DOWEL, .312 x .500
15	53020465	1				ER0			PLUG, Cylinder Block



WRANGLER (TJ)

SERIES LINE
H = Sport J = Wrangler 4WD
L = SE U = Wrangler 4WD (RHD)
P = Sahara

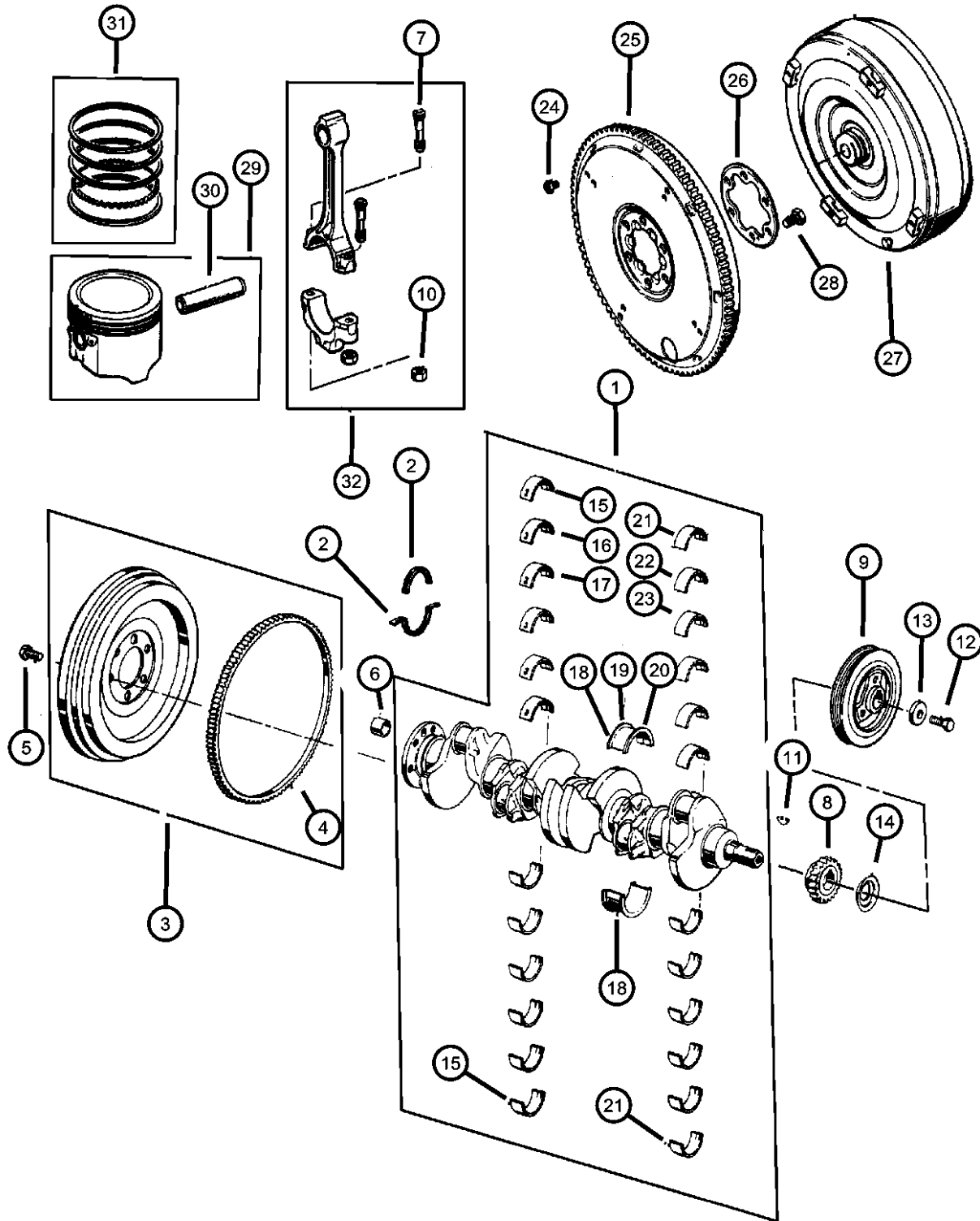
BODY
77 = 93.4 WB

ENGINE
EPE = ENGINE - 2.5L POWER TECH I-4 Cyl.
ERH = ENGINE - 4.0L POWER TECH I-6

TRANSMISSION
DDD = TRANSMISSION - 5-SPEED HD MANUAL
DDQ = TRANSMISSION - 5-SPEED MANUAL
DGD = TRANSMISSION - 3-SPD. AUTOMATIC,30RH
DGG = TRANSMISSION - 3-SPD. AUTOMATIC,32RH
DG0 = All Automatic Transmissions
DBB = All Manual Transmissions
DD0 = All 5 Speed Manual Transmissions

AR = use ase required - = Non illustrated part

**Crankshaft, Piston and Torque Converter
Figure 4.0L-410**



ITEM	PART NUMBER	QTY	LINE	SERIES	BODY	ENGINE	TRANS	TRIM	DESCRIPTION
------	-------------	-----	------	--------	------	--------	-------	------	-------------

NOTE: ER0=All 4.0L Engines EPO= All 2.5L Gas Engines DBB=All Manual Transmissions DG0=All Automatic Transmissions

1	04864726	1				ER0			CRANKSHAFT
2	53020599AB	2				ER0			SEAL, Rear Main Crankshaft
3	53020519AB	1				ER0	DBB		FLYWHEEL
4	J3179741	1				ER0	DBB		GEAR, Ring
5	J3170524	6				ER0	DBB		BOLT, Flywheel
6	53009180AB	1				ER0	DBB		BEARING, Pilot, Sleeve and Bearing
7	53020123	12				ER0			BOLT, Connecting Rod
8	53020443	1				ER0			GEAR, Crankshaft
9									DAMPER, Crankshaft
	33002920	1				ER0			Use Up to 2/11/00
	33002920AB	1				ER0			Use After 2/11/00
10	J4006385	12				ER0			NUT, Hex Flange, .3437-24
11	06034749	1				EPO, ER0			KEY, Crankshaft Sprocket
12	00182776	1				EPO, ER0			BOLT
13	J3230155	1				EPO, ER0			WASHER, Plain
14	J3173076	1				EPO, ER0			SLINGER, Oil
15	83507079	6				ER0			BEARING PACKAGE, Crankshaft, Standard
16	83507080	AR				EPO, ER0			BEARING PACKAGE, Crankshaft, .001 Undersize
17	83507083	AR				EPO, ER0			BEARING PACKAGE, Crankshaft, .010 Undersize
18	83507084	1				EPO, ER0			BEARING PACKAGE, Crankshaft Thrust, Standard Size
19	83507086	AR				EPO, ER0			BEARING PACKAGE, Crankshaft Thrust, .001" Undersize
20	83507090	AR				EPO, ER0			BEARING PACKAGE, Crankshaft Thrust, .010" Undersize
21	83500300	12				ER0			BEARING KIT, Connecting Rod, Standard
22	83501397	AR				EPO, ER0			BEARING KIT, Connecting Rod, .001 Undersize
23	83500301	AR				EPO, ER0			BEARING KIT, Connecting Rod, .010 Undersize

WRANGLER (TJ)

SERIES LINE
H = Sport J = Wrangler 4WD
L = SE U = Wrangler 4WD (RHD)
P = Sahara

BODY
77 = 93.4 WB

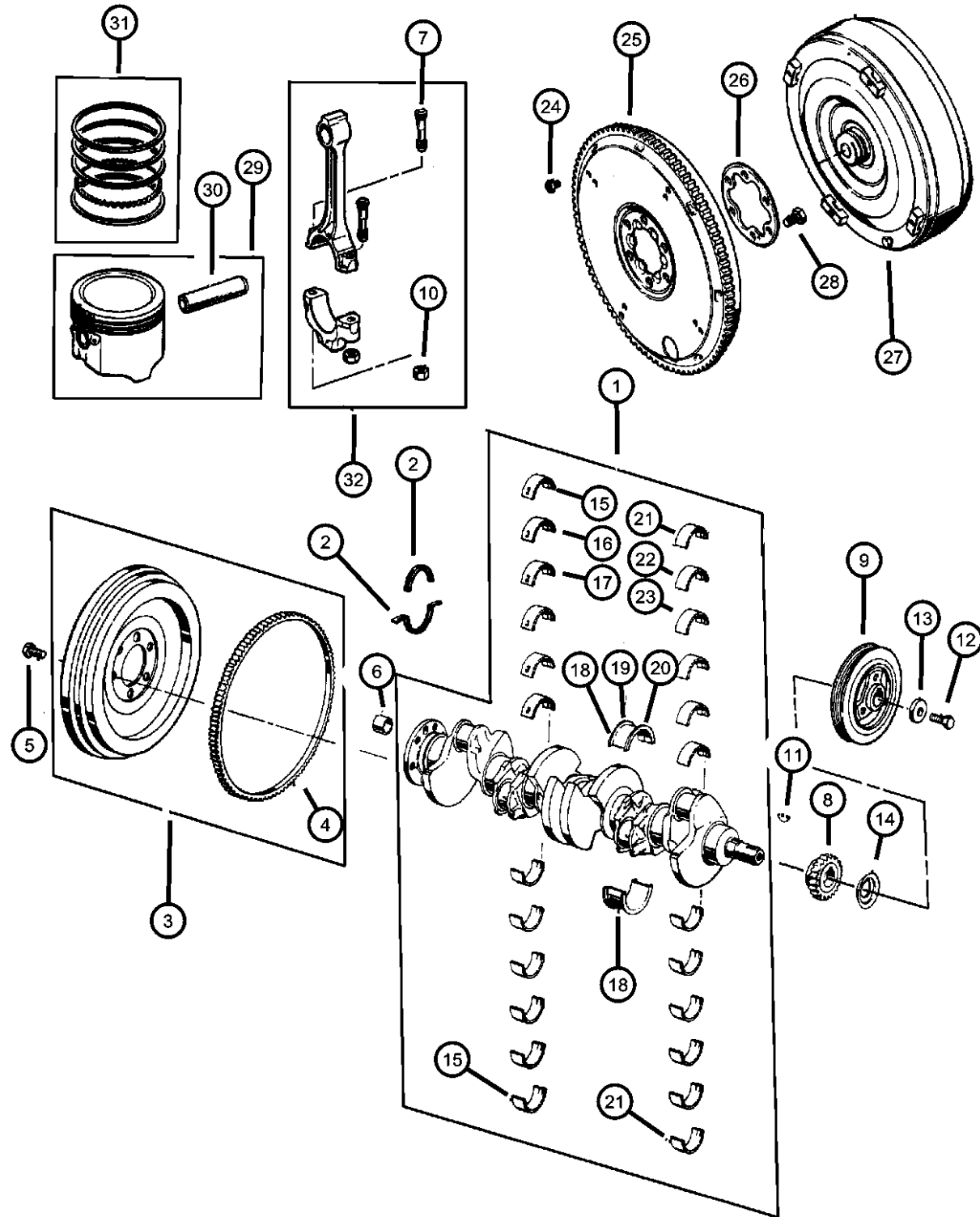
ENGINE
EPE = ENGINE - 2.5L POWER TECH I-4 Cyl.
ERH = ENGINE - 4.0L POWER TECH I-6

TRANSMISSION
DDD = TRANSMISSION - 5-SPEED HD MANUAL
DDQ = TRANSMISSION - 5-SPEED MANUAL
DGD = TRANSMISSION - 3-SPD. AUTOMATIC, 30RH
DGG = TRANSMISSION - 3-SPD. AUTOMATIC, 32RH
DG0 = All Automatic Transmissions
DBB = All Manual Transmissions
DD0 = All 5 Speed Manual Transmissions

AR = use ase required - = Non illustrated part

2000 TJ

**Crankshaft, Piston and Torque Converter
Figure 4.0L-410**



ITEM	PART NUMBER	QTY	LINE	SERIES	BODY	ENGINE	TRANS	TRIM	DESCRIPTION
24	01949765	4	J			ER0	DG0		SCREW, Hex Head Header Point, .312-24x.44
25	52118257	1				ER0	DG0		PLATE, Drive Plate
26	J3214094	1				ER0	DG0		PLATE, Drive Plate Backing
27	04736596 R4736596 U4736596	1				ER0	DG0		TORQUE CONVERTER Mopar Remanufactured Part Core Part
28	J3151407	6				ER0	DG0		BOLT, Hex Head, .50-20x.56
29	04798329 04798330 04798331 04798332 04798333	6				ER0			PISTON PIN AND ROD B Size, 3.8742 C Size, 3.8746 D Size, 3.8750 E Size, 3.8754 F Size, 3.8758
30	04798333	6							PIN, Piston, Serviced in Piston Assembly, (NOT SERVICED),
31	04798878	1				ER0			RING PACKAGE, Piston, Standard Size Complete Engine
32	04798878	1							ROD, Connecting, Serviced in Piston Assembly, (NOT SERVICED)

WRANGLER (TJ)

SERIES LINE
 H = Sport J = Wrangler 4WD
 L = SE U = Wrangler 4WD (RHD)
 P = Sahara

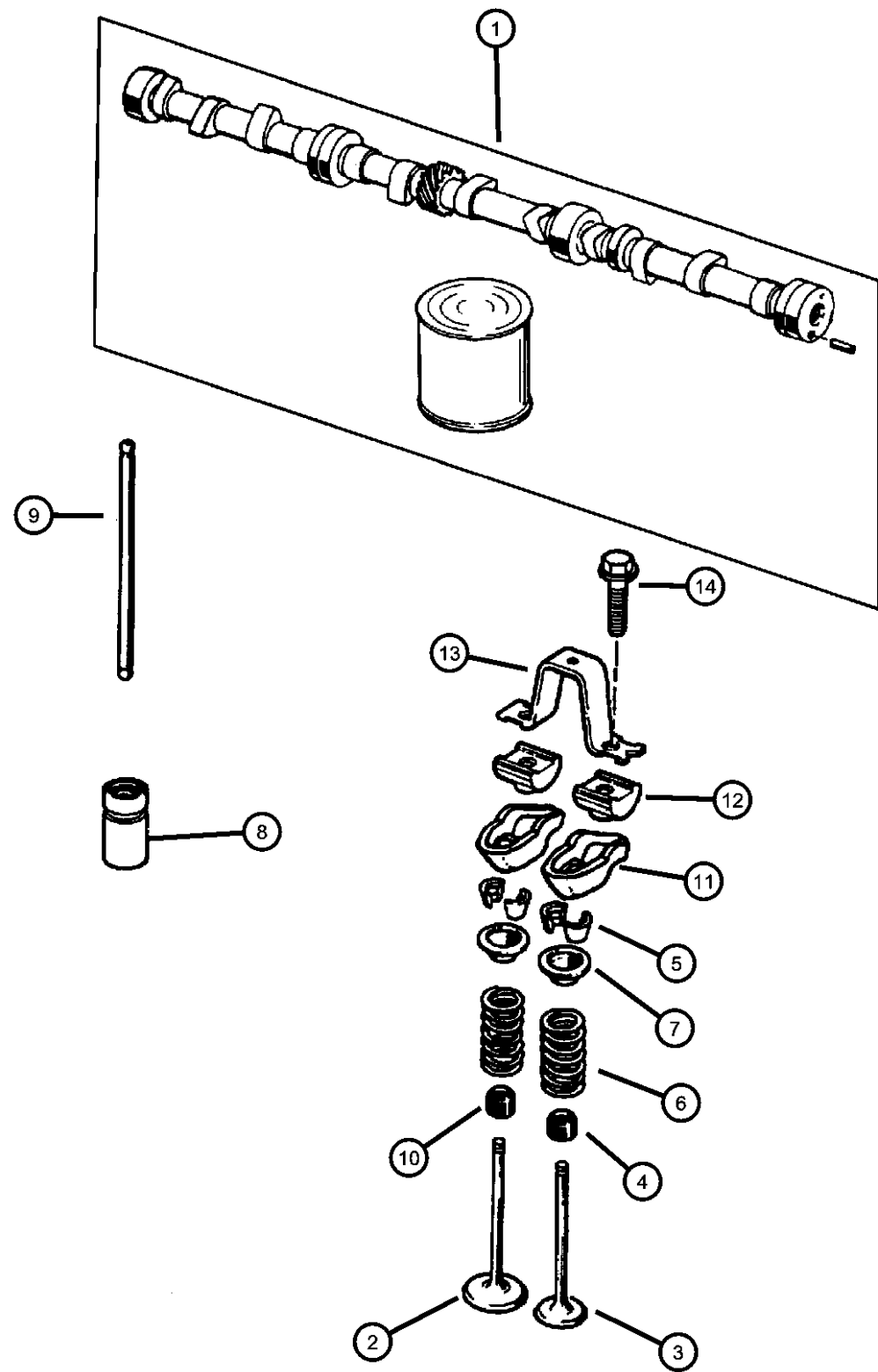
BODY
 77 = 93.4 WB

ENGINE
 EPE = ENGINE - 2.5L POWER
 TECH I-4 Cyl.
 ERH = ENGINE - 4.0L
 POWER TECH I-6

TRANSMISSION
 DDD = TRANSMISSION - 5-SPEED
 HD MANUAL
 DDQ = TRANSMISSION - 5-SPEED
 MANUAL
 DGD = TRANSMISSION - 3-SPD.
 AUTOMATIC,30RH
 DGG = TRANSMISSION - 3-SPD.
 AUTOMATIC,32RH
 DG0 = All Automatic Transmissions
 DBB = All Manual Transmissions
 DD0 = All 5 Speed Manual
 Transmissions

AR = use ase required - = Non illustrated part

Camshaft and Valves
Figure 4.0L-510



ITEM	PART NUMBER	QTY	LINE	SERIES	BODY	ENGINE	TRANS	TRIM	DESCRIPTION
------	-------------	-----	------	--------	------	--------	-------	------	-------------

NOTE: ER0=All 4.0L Engines

1	53010448AA	1				ER0			CAMSHAFT
2	53010512AA	6				ER0			VALVE, Intake, Standard
3	53010513AA	6				ER0			VALVE, Exhaust, Standard
4	53009887	6				ER0			SEAL, Valve Guide
5	53010515AA	24				ER0			LOCK, Valve Spring Retainer
6	53010388	12				ER0			SPRING, Valve
7	53010514AA	12				ER0			RETAINER, Valve Spring
8	04740269	12				ER0			TAPPET, Valve
9	33002986	12				ER0			PUSH ROD, Valve
10	53009886	6				ER0			SEAL, Valve Guide
11	J3242393	12				ER0			ROCKER ARM, Valve
12	J3235090	12				ER0			PIVOT, Rocker Arm
13	J3236513	6				ER0			BRIDGE, Rocker Arm
14	J9425708	12				ER0			BOLT, Hex Flange Head, .312-18x1.25

WRANGLER (TJ)

SERIES	LINE
H = Sport	J = Wrangler 4WD
L = SE	U = Wrangler 4WD (RHD)
P = Sahara	

BODY
77 = 93.4 WB

ENGINE
EPE = ENGINE - 2.5L POWER TECH I-4 Cyl.
ERH = ENGINE - 4.0L POWER TECH I-6

TRANSMISSION
DDD = TRANSMISSION - 5-SPEED HD MANUAL
DDQ = TRANSMISSION - 5-SPEED MANUAL
DGD = TRANSMISSION - 3-SPD. AUTOMATIC,30RH
DGG = TRANSMISSION - 3-SPD. AUTOMATIC,32RH
DG0 = All Automatic Transmissions
DBB = All Manual Transmissions
DD0 = All 5 Speed Manual Transmissions

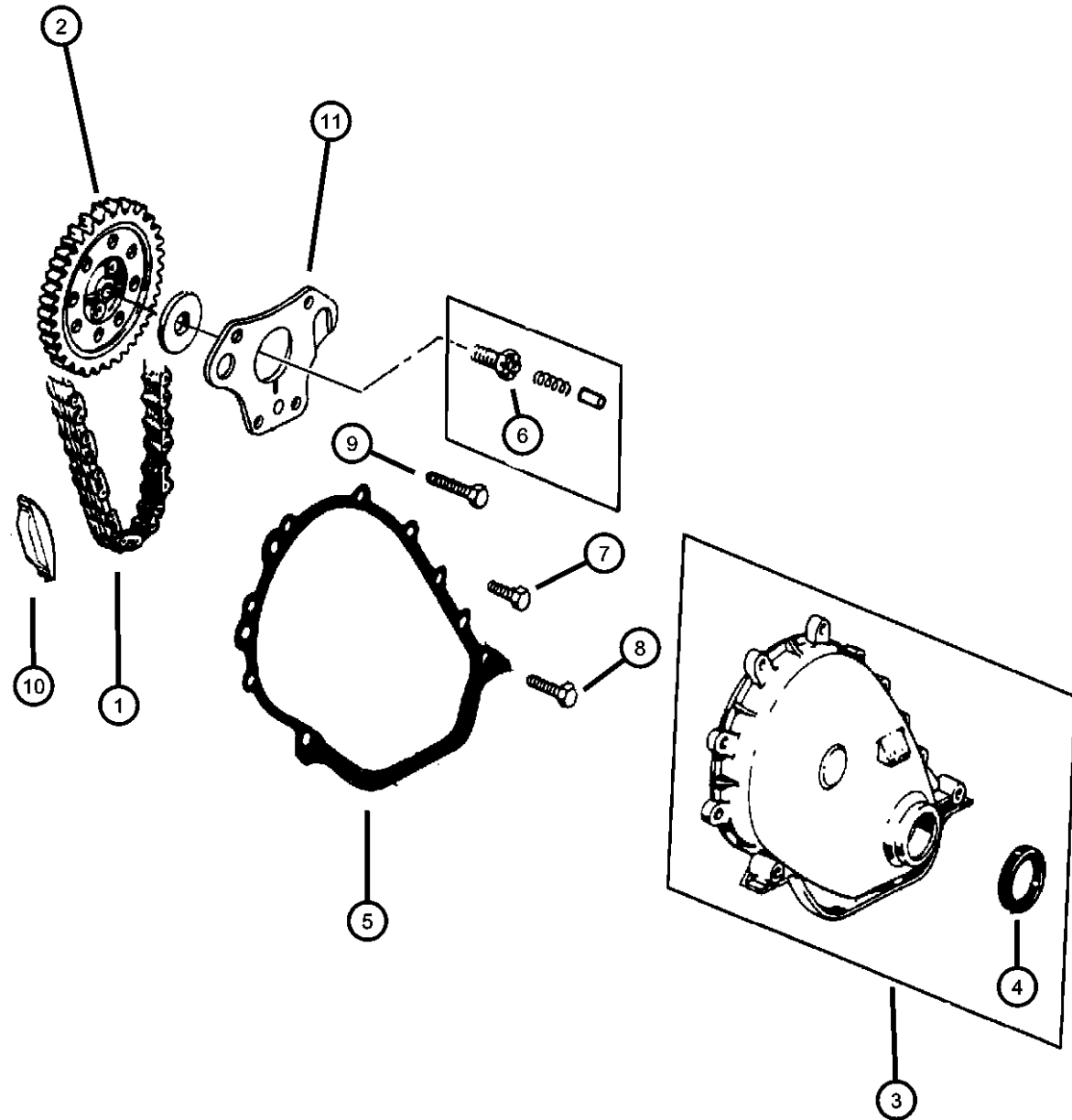
AR = use ase required - = Non illustrated part

2000 TJ

**Timing Cover
Figure 4.0L-610**

ITEM	PART NUMBER	QTY	LINE	SERIES	BODY	ENGINE	TRANS	TRIM	DESCRIPTION
------	-------------	-----	------	--------	------	--------	-------	------	-------------

NOTE: ER0=All 4.0L Engines
EPO= All 2.5L Gas Engines



-1	05189875AA	1				ER0			CHAIN PACKAGE, Timing
2	53020444	1				ER0			CHAIN, Timing
3	53010400	1				ER0			SPROCKET, Camshaft
4	53010421	1				ER0			COVER, Timing Belt
5	33004681	1				ER0			SEAL, Front Main Crankshaft
6	53020487	1				ER0			GASKET, Front Cover
7	06024030	1				ER0			SCREW AND WASHER, Hex
8	06035893	5				EP0, ER0			BOLT, Hex
9	06035895	1				ER0			SCREW
10	06035894	2				EP0, ER0			SCREW
11	33003446	1				EP0, ER0			SNUBBER, Timing Chain
12	53010401	1				ER0			PLATE, Camshaft Thrust
-13	06035975AA	2				ER0			SCREW, Pan Head

WRANGLER (TJ)

SERIES LINE
H = Sport J = Wrangler 4WD
L = SE U = Wrangler 4WD (RHD)
P = Sahara

BODY
77 = 93.4 WB

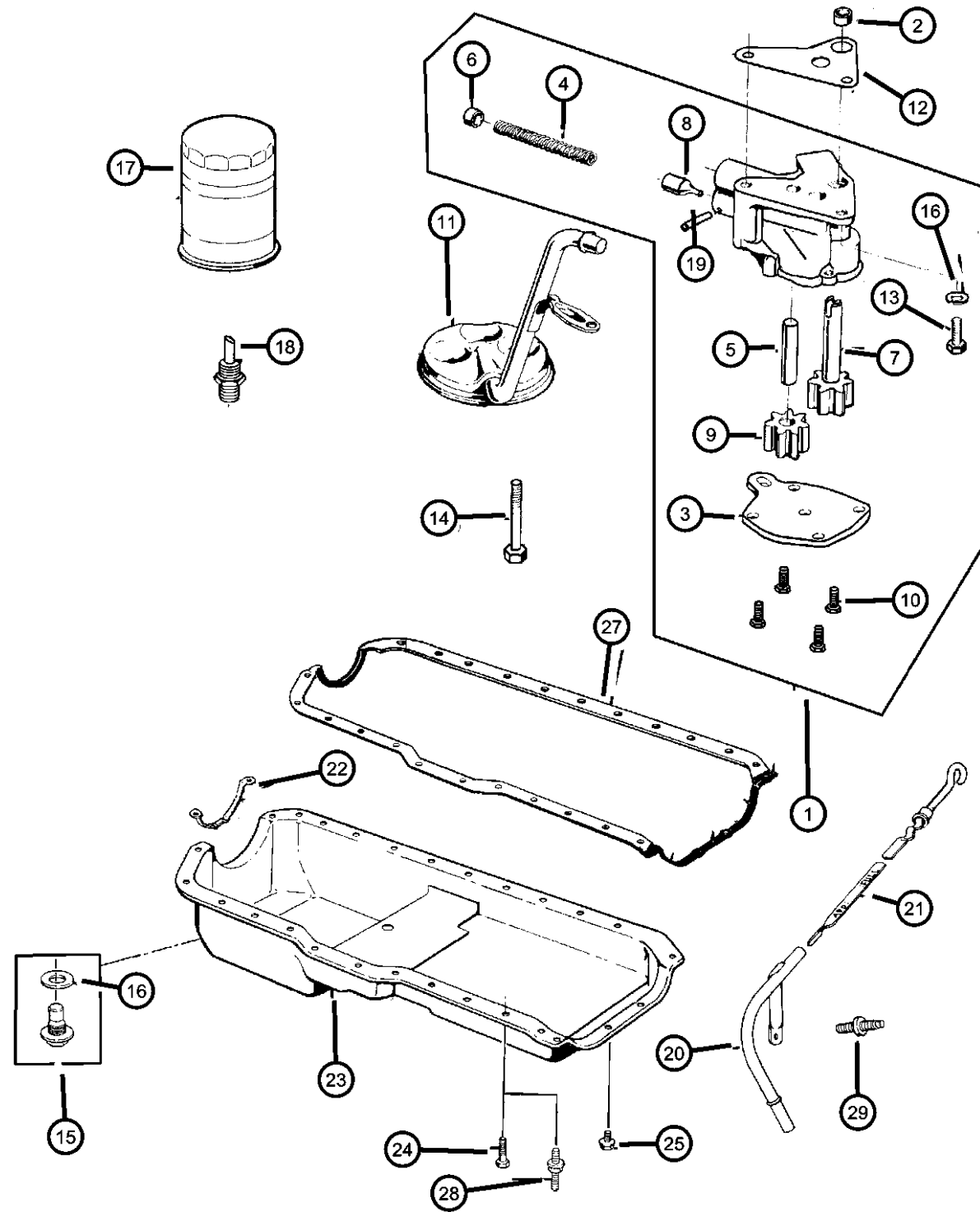
ENGINE
EPE = ENGINE - 2.5L POWER
TECH I-4 Cyl.
ERH = ENGINE - 4.0L
POWER TECH I-6

TRANSMISSION
DDD = TRANSMISSION - 5-SPEED
HD MANUAL
DDQ = TRANSMISSION - 5-SPEED
MANUAL
DGD = TRANSMISSION - 3-SPD.
AUTOMATIC,30RH
DGG = TRANSMISSION - 3-SPD.
AUTOMATIC,32RH
DG0 = All Automatic Transmissions
DBB = All Manual Transmissions
DD0 = All 5 Speed Manual
Transmissions

AR = use ase required - = Non illustrated part

2000 TJ

**Engine Oiling
Figure 4.0L-710**



NOTE: ER0=All 4.0L Engines
EPO= All 2.5L Gas Engines

ITEM	PART NUMBER	QTY	LINE	SERIES	BODY	ENGINE	TRANS	TRIM	DESCRIPTION
1	J3241399	1				ER0			PUMP, Engine Oil
2	J4005149	1				EP0, ER0			DOWEL, Oil Pump
3	J3241733	1				ER0			COVER, Engine Oil Pump
4	J3239668	1				ER0			SPRING, Oil Pressure Relief Valve
5	J3171956	1				ER0			SHAFT, Oil Pump
6	J3171958	1				ER0			RETAINER, Oil Release Valve
7	J3172334	1				ER0			GEAR, Oil Pump
8	J3188661	1				ER0			PLUNGER, Oil Pressure Relief Valve
9	J3196843	1				ER0			GEAR, Oil Pump Driven
10	J9416852	4				ER0			SCREW, Hex Flange Head, .25-20x.50
11	33002696	1				ER0			TUBE, Oil Pump Inlet
12	J3172332	1				EP0, ER0			GASKET, Oil Pump
13	06022235	1				EP0, ER0			BOLT AND WASHER, Hex Head, .312-18x1.00
14	00154593	1				EP0, ER0			SCREW, Hex Head Coned, .312-18x2.625
15	06035417	1				ER0			PLUG, Oil Drain
16	06035417	1							GASKET, Oil Drain Plug, Serviced in Plug, (NOT SERVICED)
17	05281090	1				EP0, ER0			FILTER, Engine Oil
	0FE00292								Canadian Aftermarket Part
	05281090BA								BULK PACK (12)
18	53007563	1				EP0, ER0			CONNECTOR, Oil Filter
19	J0271448	1				ER0			PIN, Roll, 5/32" x 1.00"
20	53020782	1				ER0			TUBE, Oil Filler
21	53010445	1				ER0			INDICATOR, Engine Oil Level
22	53010511AA	1				ER0			SUPPORT, Engine Oil Pan
23	53010340	1				ER0			PAN, Engine Oil
24	06034732	15				ER0			SCREW AND WASHER, Hex Head, .25-20x.545

WRANGLER (TJ)

SERIES LINE
H = Sport J = Wrangler 4WD
L = SE U = Wrangler 4WD (RHD)
P = Sahara

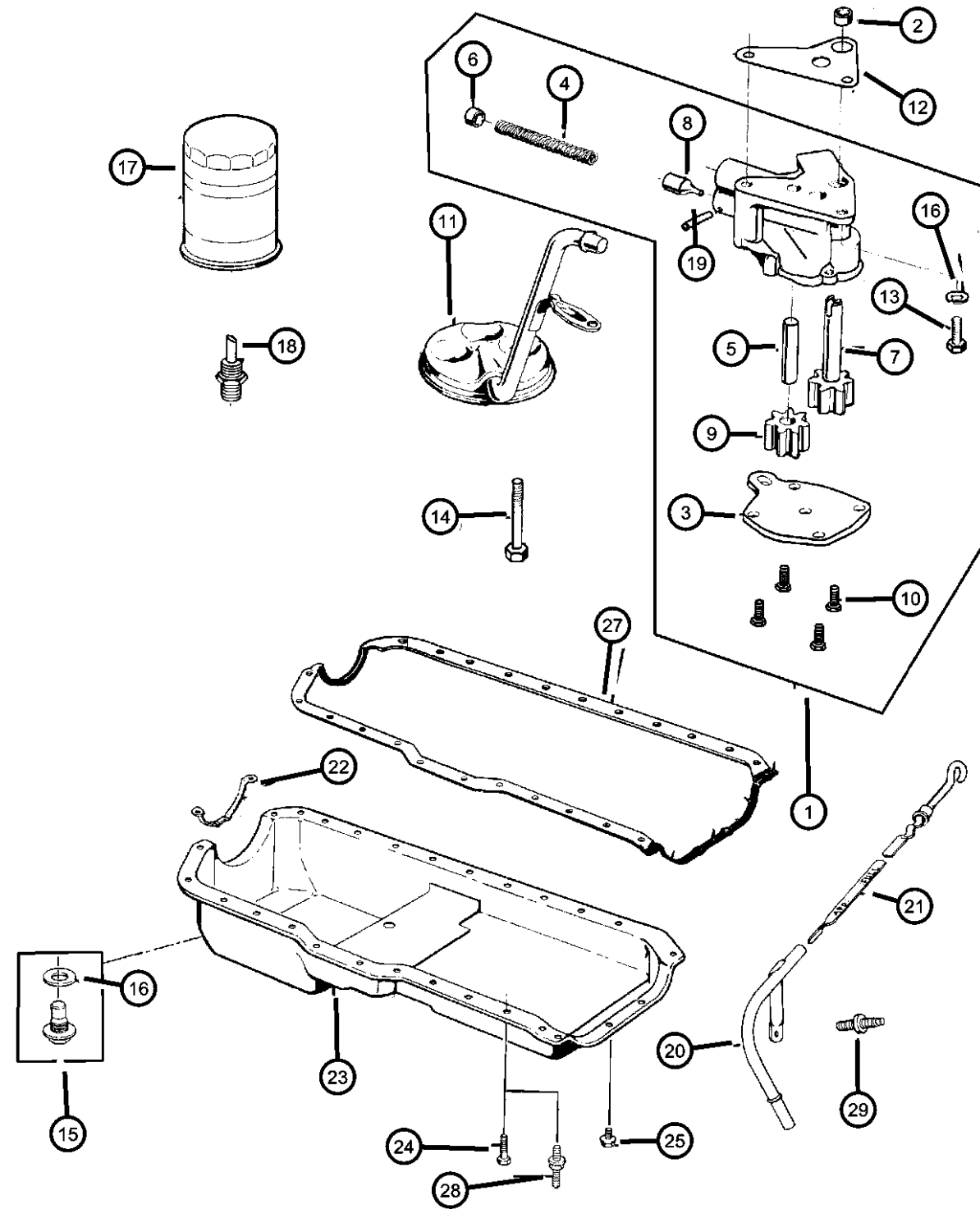
BODY
77 = 93.4 WB

ENGINE
EPE = ENGINE - 2.5L POWER TECH I-4 Cyl.
ERH = ENGINE - 4.0L POWER TECH I-6

TRANSMISSION
DDD = TRANSMISSION - 5-SPEED HD MANUAL
DDQ = TRANSMISSION - 5-SPEED MANUAL
DGD = TRANSMISSION - 3-SPD. AUTOMATIC,30RH
DGG = TRANSMISSION - 3-SPD. AUTOMATIC,32RH
DGO = All Automatic Transmissions
DBB = All Manual Transmissions
DD0 = All 5 Speed Manual Transmissions

AR = use ase required - = Non illustrated part

Engine Oiling
Figure 4.0L-710



ITEM	PART NUMBER	QTY	LINE	SERIES	BODY	ENGINE	TRANS	TRIM	DESCRIPTION
25	06034483	3				ER0			SCREW, Hex Head Coned, .312-18x.875
-26	06034733	1				ER0			STUD, .312-18/.250-20x1.680
27	53007568AC	1				ER0			GASKET, Oil Pan
28	06034734	10				ER0			BOLT, Double Stud Hex, .250-20x1.437 & .250-20 x.700
29	06035664	1				EP0, ER0			STUD, .312-18x1.560
-30	05083881AA	1				ER0			DRIVE, OIL PUMP

WRANGLER (TJ)

SERIES LINE
H = Sport J = Wrangler 4WD
L = SE U = Wrangler 4WD (RHD)
P = Sahara

BODY
77 = 93.4 WB

ENGINE
EPE = ENGINE - 2.5L POWER TECH I-4 Cyl.
ERH = ENGINE - 4.0L POWER TECH I-6

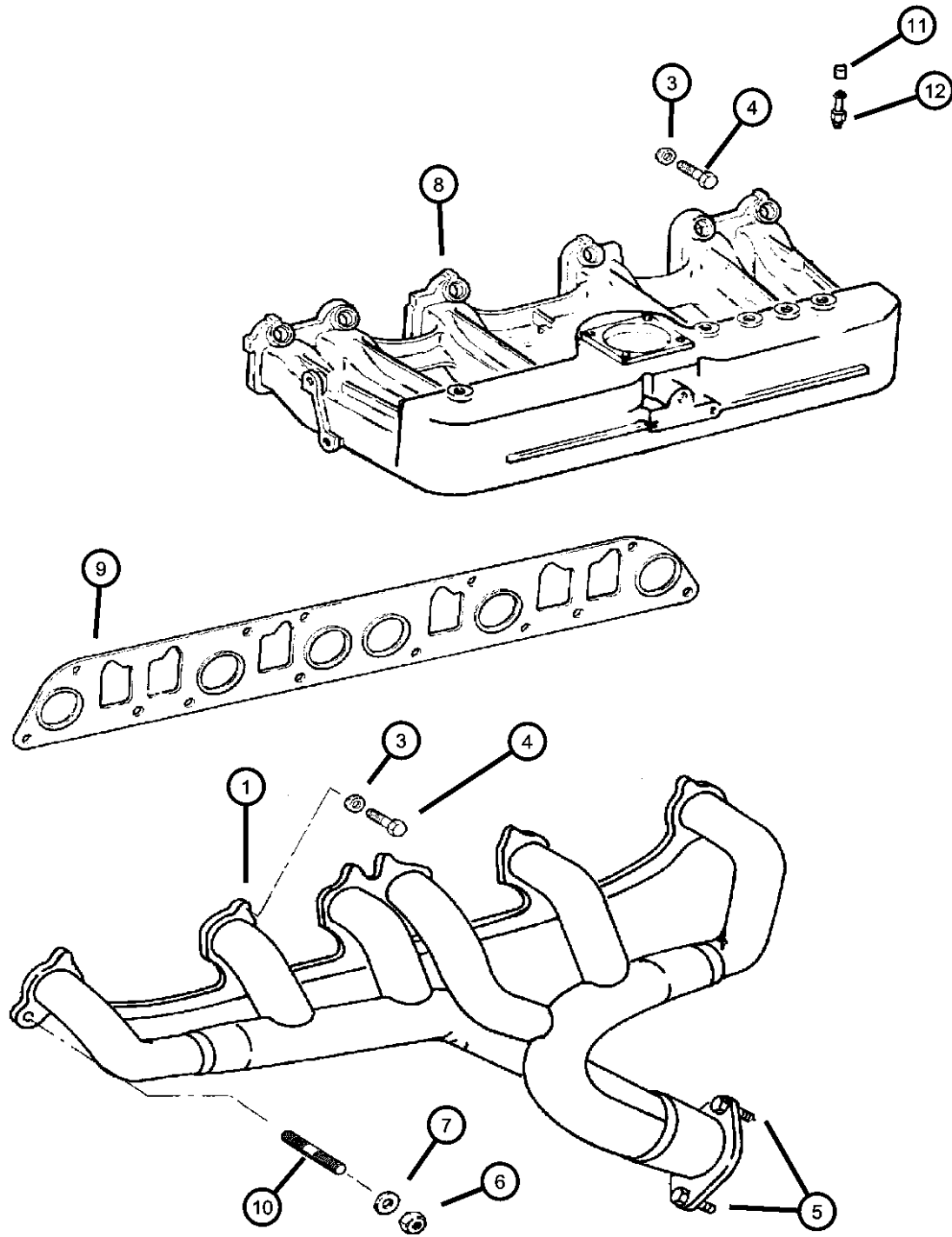
TRANSMISSION
DDD = TRANSMISSION - 5-SPEED HD MANUAL
DDQ = TRANSMISSION - 5-SPEED MANUAL
DGD = TRANSMISSION - 3-SPD. AUTOMATIC,30RH
DGG = TRANSMISSION - 3-SPD. AUTOMATIC,32RH
DGO = All Automatic Transmissions
DBB = All Manual Transmissions
DD0 = All 5 Speed Manual Transmissions

AR = use ase required - = Non illustrated part

2000 TJ

**Manifold, Intake and Exhaust
Figure 4.0L-810**

ITEM	PART NUMBER	QTY	LINE	SERIES	BODY	ENGINE	TRANS	TRIM	DESCRIPTION
NOTE: ER0=All 4.0L Engines EPO= All 2.5L Gas Engines									
1	53010196	1				ER0			MANIFOLD, Exhaust Front
	53010199	1				ER0			Rear
-2	J4200413	2				ER0			PLUG, Cylinder Block Oil Hole, Oxygen Sensor Hole
3	06036171AA	2				EP0, ER0			NUT AND WASHER
4	06036045AA	8				ER0			BOLT AND RETAINER, Hex Head
5	06036193AA	2				EP0, ER0			STUD, .375-16/.375-24x1.75
6	06036171AA	2				EP0, ER0			NUT AND WASHER
7	06036171AA	2				EP0, ER0			NUT AND WASHER
8	04854197AA	1				ER0			MANIFOLD, Intake
9	04854038	1				ER0			GASKET, Intake/Exhaust Manifold
10	06036193AA	2				EP0, ER0			STUD, .375-16/.375-24x1.75
11	03580172	1				ER0			CAP, Vacuum
12	03580172	1							FITTING, Vacuum, Serviced With Manifold, (NOT SERVICED)



WRANGLER (TJ)

SERIES LINE
H = Sport J = Wrangler 4WD
L = SE U = Wrangler 4WD (RHD)
P = Sahara

BODY
77 = 93.4 WB

ENGINE
EPE = ENGINE - 2.5L POWER
TECH I-4 Cyl.
ERH = ENGINE - 4.0L
POWER TECH I-6

TRANSMISSION
DDD = TRANSMISSION - 5-SPEED
HD MANUAL
DDQ = TRANSMISSION - 5-SPEED
MANUAL
DGD = TRANSMISSION - 3-SPD.
AUTOMATIC,30RH
DGG = TRANSMISSION - 3-SPD.
AUTOMATIC,32RH
DGO = All Automatic Transmissions
DBB = All Manual Transmissions
DDO = All 5 Speed Manual
Transmissions

AR = use ase required - = Non illustrated part

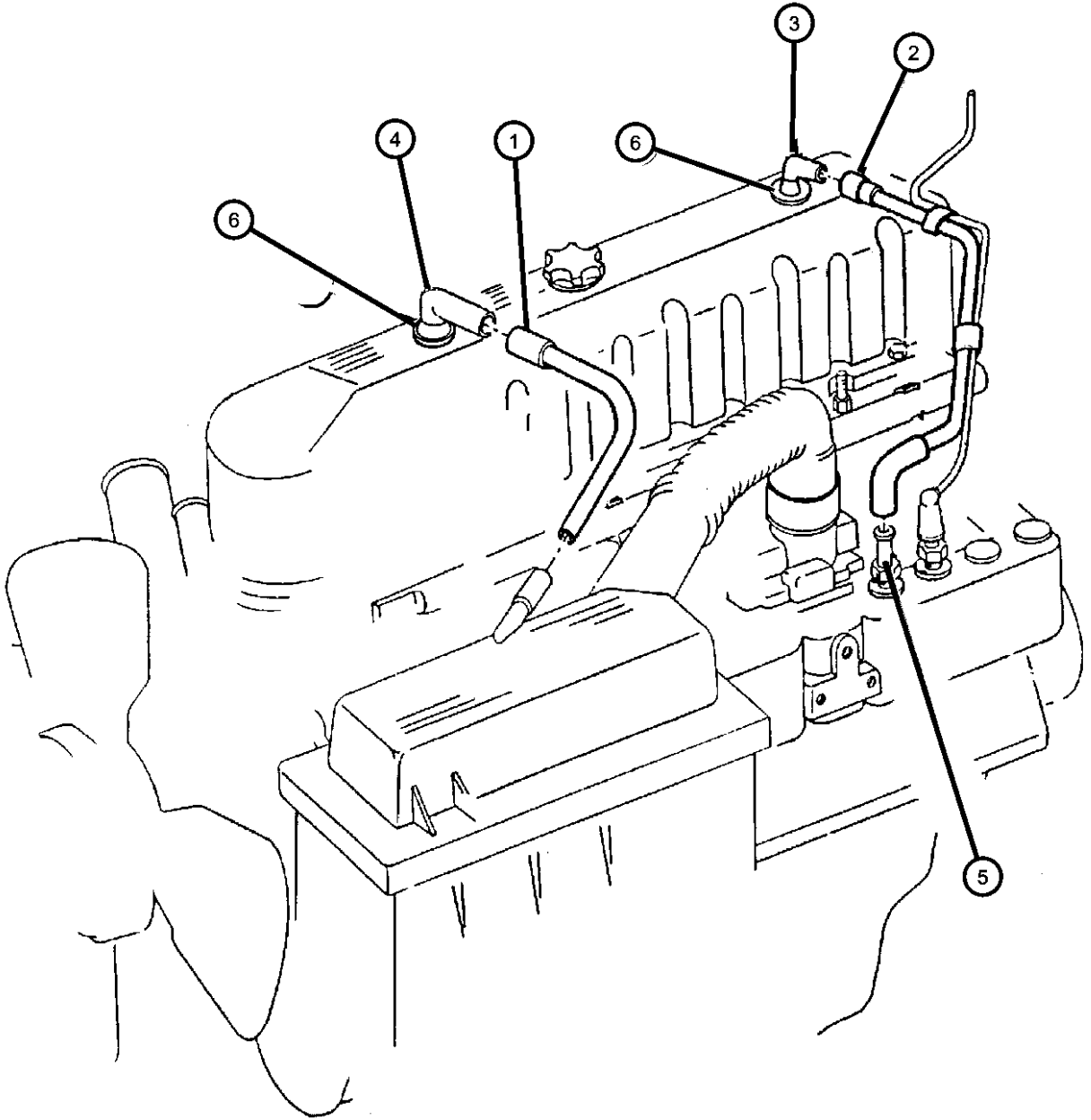
2000 TJ

**Crankcase Ventilation
Figure 4.0L-910**

ITEM	PART NUMBER	QTY	LINE	SERIES	BODY	ENGINE	TRANS	TRIM	DESCRIPTION
------	-------------	-----	------	--------	------	--------	-------	------	-------------

Note; Sales Codes
 [EP0]= All 2.5L, 4 Cylinder Gas Engines
 [ER0]= All 4.0L, 6 Cylinder Gas Engines

1	53030615	1				ER0			TUBE, Crankcase Vent Valve
2	04854265	1				ER0			TUBE, Crankcase Vent To Intake Manifold
3	53030495	1				ER0			TUBE, Crankcase Vent To Air Cleaner
4	53030497	1				EP0, ER0			FITTING, Crankcase Vent Tube
5	04854194	1				ER0			FITTING, Vacuum
6	02946079	1				EP0			GROMMET, Crankcase Vent



WRANGLER (TJ)

SERIES	LINE	BODY	ENGINE	TRANSMISSION
H = Sport	J = Wrangler 4WD	77 = 93.4 WB	EPE = ENGINE - 2.5L POWER TECH I-4 Cyl.	DDD = TRANSMISSION - 5-SPEED HD MANUAL
L = SE	U = Wrangler 4WD (RHD)		ERH = ENGINE - 4.0L POWER TECH I-6	DDQ = TRANSMISSION - 5-SPEED MANUAL
P = Sahara				DGD = TRANSMISSION - 3-SPD. AUTOMATIC,30RH
				DGG = TRANSMISSION - 3-SPD. AUTOMATIC,32RH
				DG0 = All Automatic Transmissions
				DBB = All Manual Transmissions
				DD0 = All 5 Speed Manual Transmissions

AR = use ase required - = Non illustrated part

Group - 11

Exhaust

Group - 11 Exhaust

Group-Fig. No.

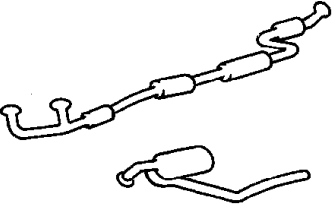
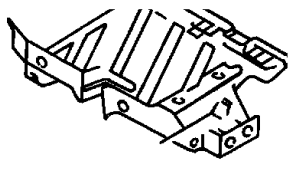
Illustration Title

Exhaust System

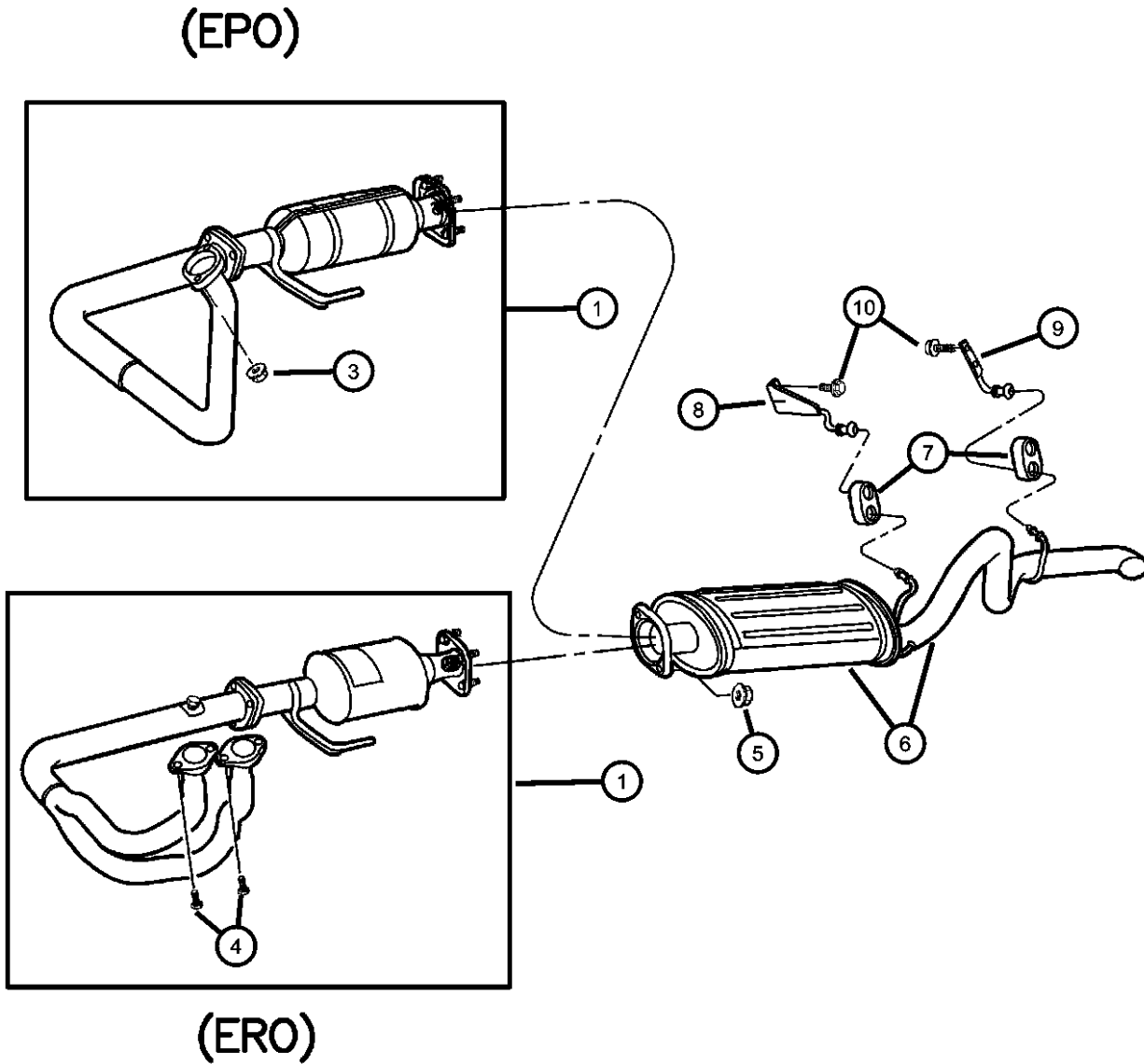
Exhaust System Fig. 11 - 110

Heat Shields

Heat Shields Fig. 11 - 210

<p>011-100 Exhaust System</p> 	<p>011-200 Heat Shields</p> 		
---	--	--	--

**Exhaust System
Figure 11-110**



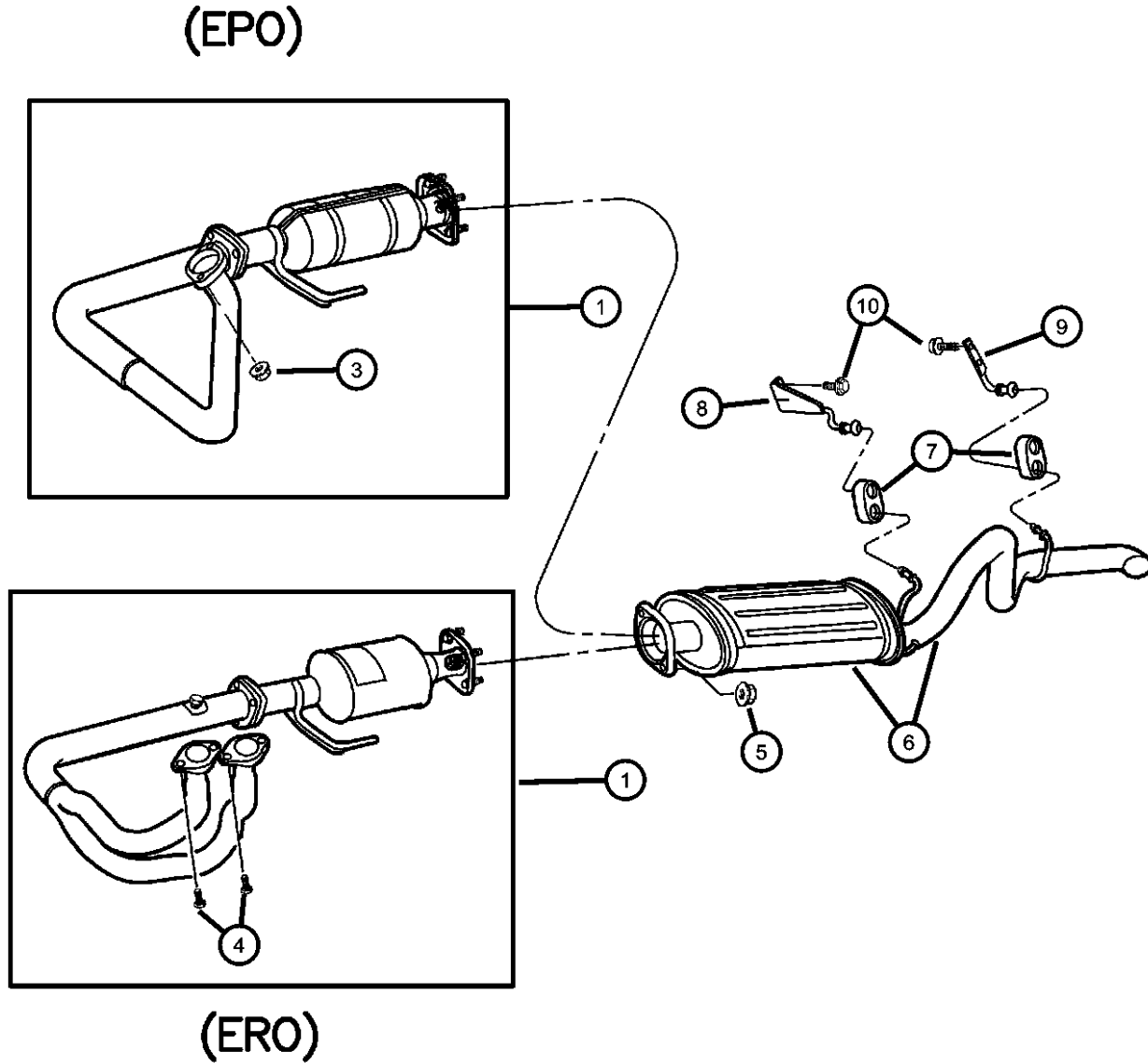
ITEM	PART NUMBER	QTY	LINE	SERIES	BODY	ENGINE	TRANS	TRIM	DESCRIPTION
NOTE: EP0=All 2.5L Gas Engines ER0=All 4.0L Engines DBB=All Manual Transmissions DG0=All Automatic Transmissions									
1									CONVERTER, Catalytic
	52101170AA	1				ER0	DBB, DG0		Federal Europe -Up to 01/24/00 without Flange
	52101171AC	1				ER0	DBB, DG0		California - Up to 01/24/00 without Flange
	52101269AA	1				ER0	DBB, DG0		Federal Europe-After 01/24/00 With Flange
	52101270AA	1				ER0	DBB, DG0		California -After 01/24/00 with Flange
-2									RESONATOR, Exhaust
	52020050AB	1				EP0	DBB		Leaded -Up to 01/24/00 without Flange
	52020050AC	1				EP0	DBB		Leaded -After 01/24/00 with Flange
	52101173AA	1				ER0			Leaded -Up to 01/24/00 without Flange
	52101173AB	1				ER0			Leaded -After 01/24/00 with Flange
3	J4005142	2				EP0			NUT, Hex Flange Lock
4	06505754AA	4				ER0			SCREW, Hex Head
5	06502696	2							NUT, Hex Flange Lock, M10x1.5
6									MUFFLER AND TAILPIPE, Exhaust
	52019241AC	1				ER0			Up to 01/24/00 without Flange
	E0021337								Mopar V-Line Alternative Part Muffler
	E0017345								Dynomax Cat Back Single Exhaust
	E0054227								Mopar V-Line Alternative Part Tailpipe
	52019241AE	1				ER0			After 01/24/00 with Flange
	E0017345								Dynomax Cat Back Single Exhaust
	52019242AB	1				EP0			Up to 01/24/00 without Flange
	52019242AC	1				EP0			ABA After- 01/24/00 with flange
	52101152AB	1				ER0			ABA Up to 01/24/00 without Flange

WRANGLER (TJ)

SERIES	LINE	BODY	ENGINE	TRANSMISSION
H = Sport	J = Wrangler 4WD	77 = 93.4 WB	EPE = ENGINE - 2.5L POWER TECH I-4 Cyl.	DDD = TRANSMISSION - 5-SPEED HD MANUAL
L = SE	U = Wrangler 4WD (RHD)		ERH = ENGINE - 4.0L POWER TECH I-6	DDQ = TRANSMISSION - 5-SPEED MANUAL
P = Sahara				DGD = TRANSMISSION - 3-SPD. AUTOMATIC,30RH
				DGG = TRANSMISSION - 3-SPD. AUTOMATIC,32RH
				DG0 = All Automatic Transmissions
				DBB = All Manual Transmissions
				DD0 = All 5 Speed Manual Transmissions

AR = use ase required - = Non illustrated part

Exhaust System
Figure 11-110



ITEM	PART NUMBER	QTY	LINE	SERIES	BODY	ENGINE	TRANS	TRIM	DESCRIPTION
7	52101035	2							INSULATOR, Exhaust
8	52019408	1							HANGER, Muffler
9	52019413	1							HANGER, Exhaust
10	06035613	4							SCREW
-11	04616707	1							GASKET, Exhaust, 3 Bolt Flange Gasket
-12	06100517	4							NUT, Hex Flange Lock
-13									PIPE AND CONVERTER, Exhaust
	52018933AC	1				EP0	DBB, DG0		Federal Europe Up 01/24/00 without Flange
	E0015841								Mopar V-Line Alternative Part Direct Fit Converter
	52018933AE	1				EP0	DBB, DG0		Federal Europe -After 01/24/00 with Flange
	52101129AA	1				EP0	DBB, DG0		California - Up to 01/24/00 without Flange
	E0015841								Mopar V-Line Alternative Part Direct Fit Converter
	52101129AB	1				EP0	DBB, DG0		

WRANGLER (TJ)

SERIES LINE
H = Sport J = Wrangler 4WD
L = SE U = Wrangler 4WD (RHD)
P = Sahara

BODY
77 = 93.4 WB

ENGINE
EPE = ENGINE - 2.5L POWER TECH I-4 Cyl.
ERH = ENGINE - 4.0L POWER TECH I-6

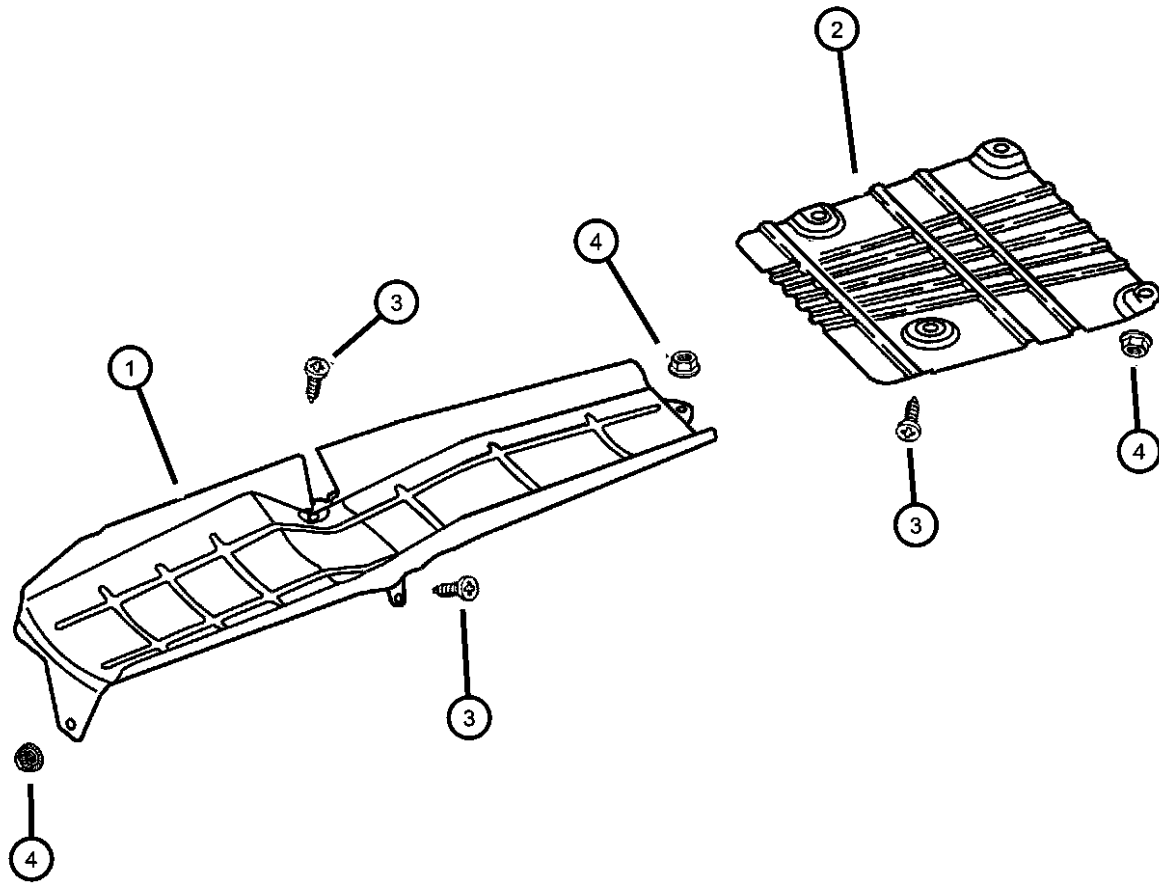
TRANSMISSION
DDD = TRANSMISSION - 5-SPEED HD MANUAL
DDQ = TRANSMISSION - 5-SPEED MANUAL
DGD = TRANSMISSION - 3-SPD. AUTOMATIC,30RH
DGG = TRANSMISSION - 3-SPD. AUTOMATIC,32RH
DG0 = All Automatic Transmissions
DBB = All Manual Transmissions
DD0 = All 5 Speed Manual Transmissions

AR = use ase required - = Non illustrated part

2000 TJ

Heat Shields
Figure 11-210

ITEM	PART NUMBER	QTY	LINE	SERIES	BODY	ENGINE	TRANS	TRIM	DESCRIPTION
1	55176694AD	1							SHIELD, Muffler
2	55176205	1							SHIELD, Muffler
3	55176205	1							SCREW, .250-20x.625, (NOT SERVICED)
4	J0120375	4							NUT, Hex, .250-20



WRANGLER (TJ)

SERIES

H = Sport
L = SE
P = Sahara

LINE

J = Wrangler 4WD
U = Wrangler 4WD (RHD)

BODY

77 = 93.4 WB

ENGINE

EPE = ENGINE - 2.5L POWER
TECH I-4 Cyl.
ERH = ENGINE - 4.0L
POWER TECH I-6

TRANSMISSION

DDD = TRANSMISSION - 5-SPEED
HD MANUAL
DDQ = TRANSMISSION - 5-SPEED
MANUAL
DGD = TRANSMISSION - 3-SPD.
AUTOMATIC,30RH
DGG = TRANSMISSION - 3-SPD.
AUTOMATIC,32RH
DG0 = All Automatic Transmissions
DBB = All Manual Transmissions
DD0 = All 5 Speed Manual
Transmissions

AR = use ase required - = Non illustrated part

2000 TJ

Group - 13

Frames and Bumpers

Group - 13 Frames and Bumpers

Group-Fig. No.

Illustration Title

Frames

Frame Fig. 13 - 110

Front Bumper and Fascia

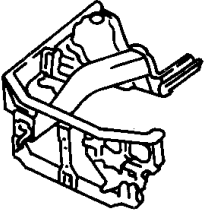
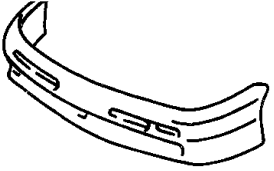


Bumper, Front Fig. 13 - 210

Rear Bumper and Fascia

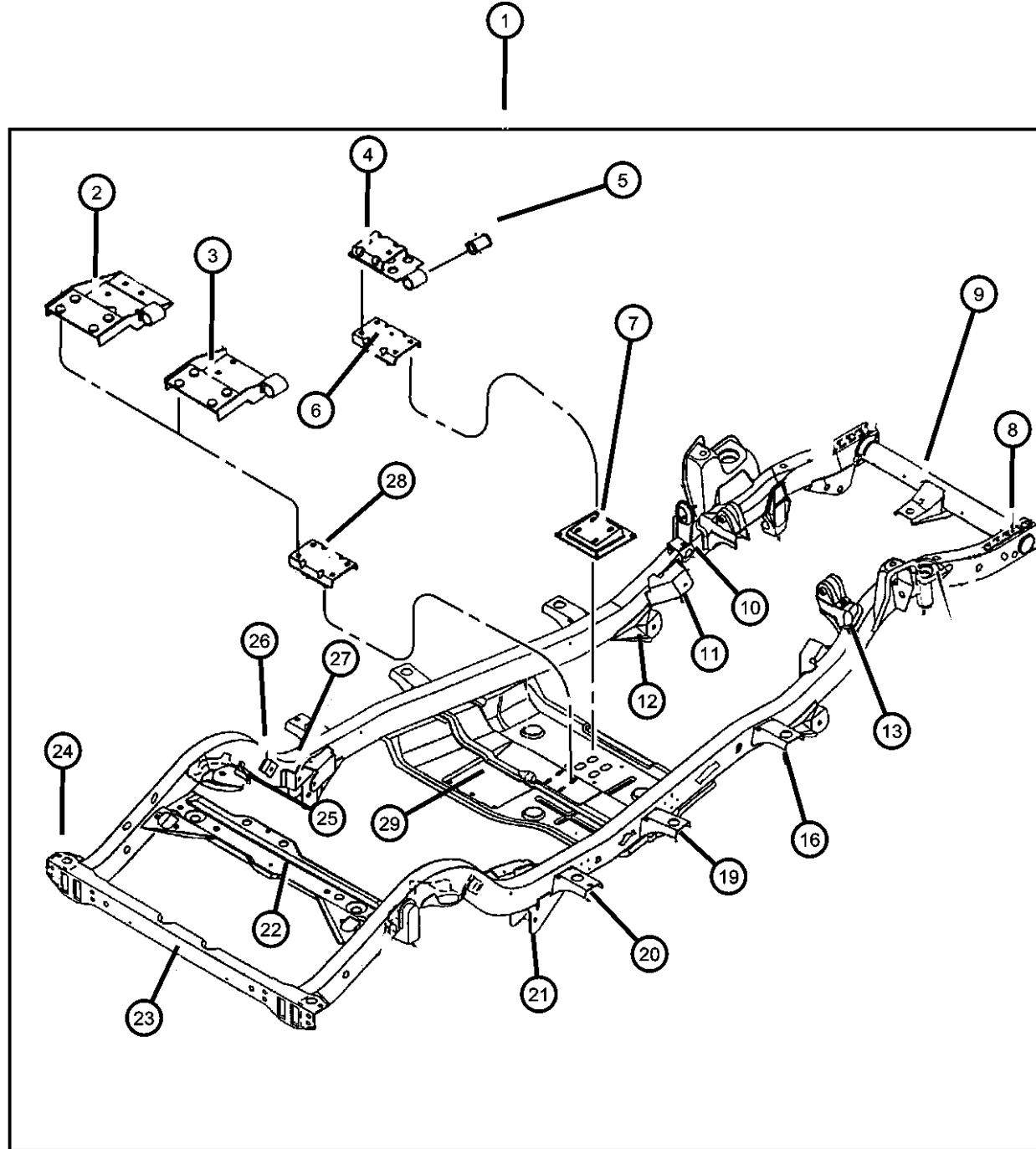
Bumper, Rear Fig. 13 - 310

Body Hold Down

Body Mounting Hardware Fig. 13 - 510

<p>013-100 Frames</p> 	<p>013-200 Front Bumper and Fascia</p> 	<p>013-300 Rear Bumper and Fascia</p> 	<p>013-500 Body Hold Down</p> 
--	---	---	--

Frame
Figure 13-110



ITEM	PART NUMBER	QTY	LINE	SERIES	BODY	ENGINE	TRANS	TRIM	DESCRIPTION
------	-------------	-----	------	--------	------	--------	-------	------	-------------

Note: Sales Code EP0 = 2.5L Gas Engine
Note: Sales Code ER0 = 4.0L Gas Engine

1									FRAME, Chassis
	52058811AD	1	J						4.0L Eng.
	52058813AD	1	J						2.5L Eng.
	52058815AD	1	U						4.0L Eng.
	52058817AD	1	U						2.5L Eng.
2	52058618	1							BRACKET, Transmission Mount, Trans. Support
3	52058546	1							BRACKET, Transmission Mount, Trans. Support
4	52058548	1							BRACKET, Transmission Mount, Trans. Support
5	52085085	1							BUSHING, Exhaust Hanger
6	52058551AB	1							MOUNT, Transmission, Trans. Support
7	52058863	1							BRACKET, Transmission Mount, Trans. Supprt
8									PLATE, Suspension
	52058430	2	J						
		2	U						
9									CROSSMEMBER, Underbody
	05003819AA	1	J						
		1	U						
10									BRACKET, Frame Rail
	52058893	1	J						
	52058894	1	U						
11									BRACKET, Frame Rail
	52058160AB	1	J						Right
		1	U						Right
	52058161AB	1	J						Left
		1	U						Left
12									BRACKET, Frame Rail

WRANGLER (TJ)

SERIES LINE BODY
H = Sport J = Wrangler 4WD 77 = 93.4 WB
L = SE U = Wrangler 4WD (RHD)
P = Sahara

BODY
77 = 93.4 WB

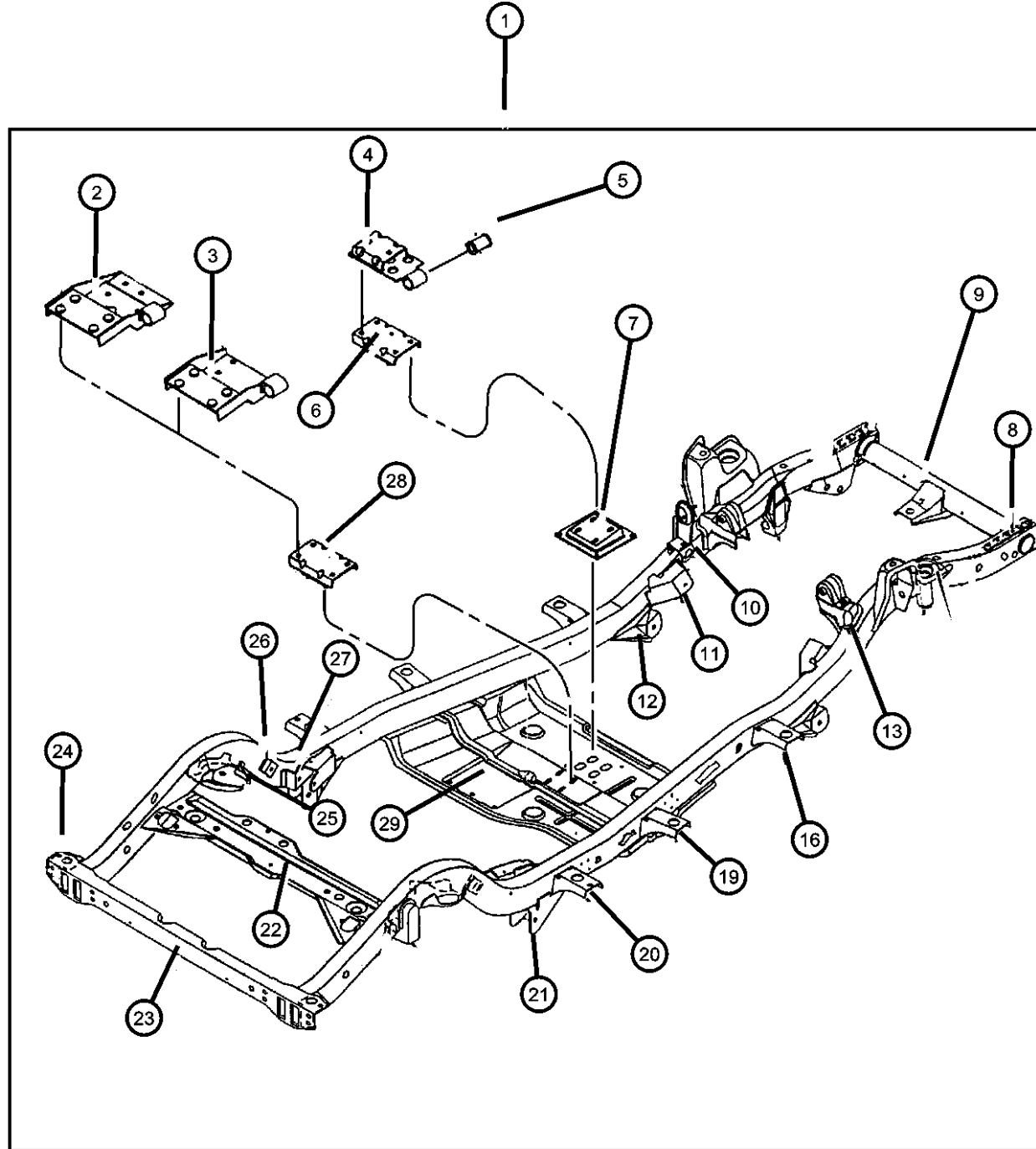
ENGINE
EPE = ENGINE - 2.5L POWER
TECH I-4 Cyl.
ERH = ENGINE - 4.0L
POWER TECH I-6

TRANSMISSION
DDD = TRANSMISSION - 5-SPEED
HD MANUAL
DDQ = TRANSMISSION - 5-SPEED
MANUAL
DGD = TRANSMISSION - 3-SPD.
AUTOMATIC,30RH
DGG = TRANSMISSION - 3-SPD.
AUTOMATIC,32RH
DG0 = All Automatic Transmissions
DBB = All Manual Transmissions
DD0 = All 5 Speed Manual
Transmissions

AR = use ase required - = Non illustrated part

2000 TJ

Frame
Figure 13-110



ITEM	PART NUMBER	QTY	LINE	SERIES	BODY	ENGINE	TRANS	TRIM	DESCRIPTION
	52058090	1	J						Right
		1	U						Right
	52058091	1	J						Left
		1	U						Left
13									BRACKET, Engine Mount
	52058864	1	U						Upper, w/4.0L Eng., Right
		1	J						Upper, w/4.0L Eng., Right
	52058865	1	U						Upper, w/4.0L Eng., Left
		1	J						Upper, w/4.0L Eng., Left
	52058870	1	J						Upper, w/2.5L Eng., Right
		1	U						Upper, w/2.5L Eng., Right
	52058871	1	J						Upper, w/2.5L Eng., Left
		1	U						Upper, w/2.5L Eng., Left
-14									REINFORCEMENT, Engine Mount
	52058846	1	J						Right
		1	U						Right
	52058847	1	J						Left
		1	U						Left
-15									REINFORCEMENT, Engine Mount
	52058845	1	U						Left
		1	J						Left
	52058911	1	U						Right
		1	J						Right
16									BRACKET, Frame
	05003831AA	4	J						
		4	U						
-17									SCREW, Hex Flange Head
	06035836	6	J						
		6	U						
-18									NUT

WRANGLER (TJ)

SERIES

H = Sport
L = SE
P = Sahara

LINE

J = Wrangler 4WD
U = Wrangler 4WD (RHD)

BODY

77 = 93.4 WB

ENGINE

EPE = ENGINE - 2.5L POWER
TECH I-4 Cyl.
ERH = ENGINE - 4.0L
POWER TECH I-6

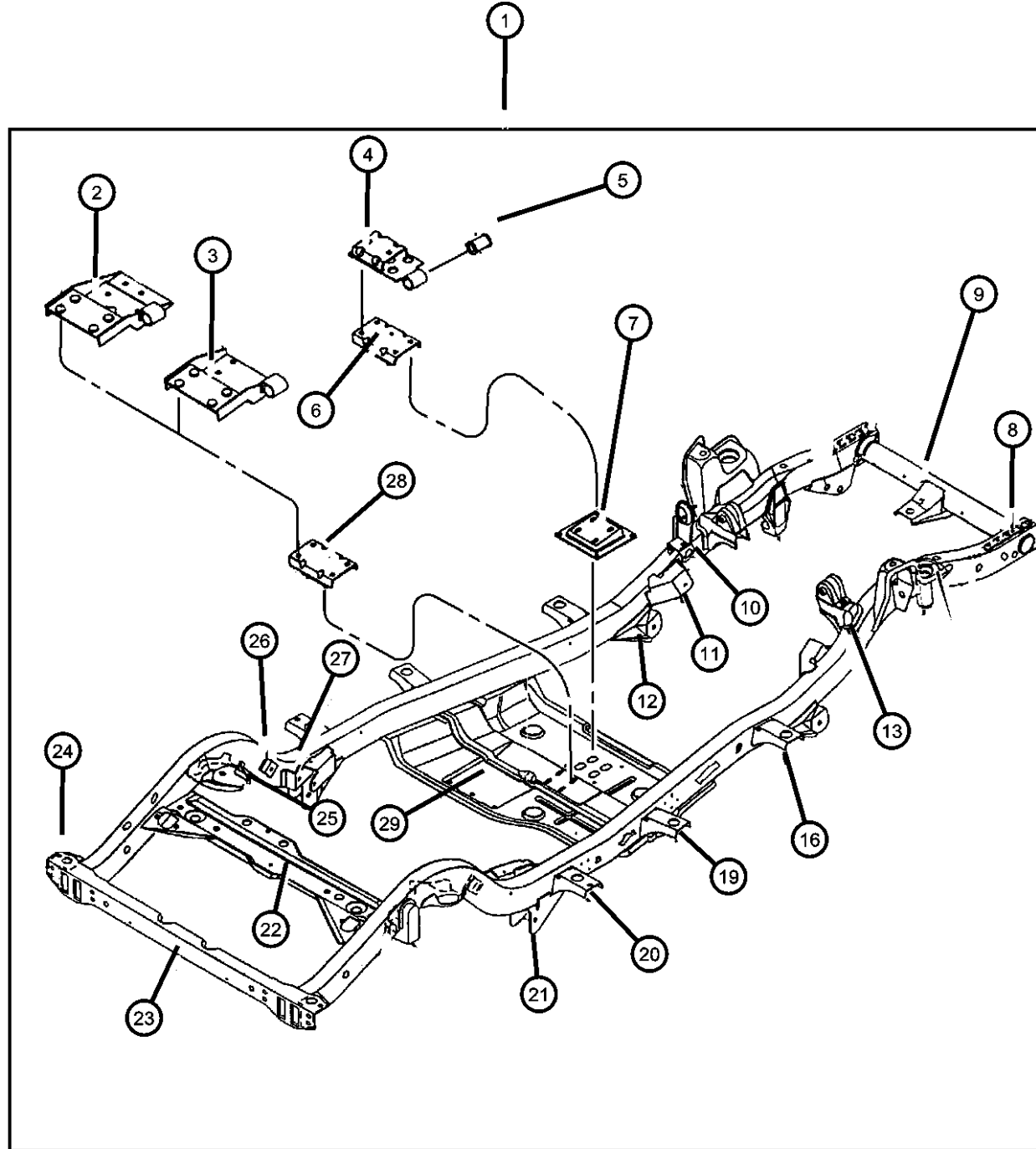
TRANSMISSION

DDD = TRANSMISSION - 5-SPEED
HD MANUAL
DDQ = TRANSMISSION - 5-SPEED
MANUAL
DGD = TRANSMISSION - 3-SPD.
AUTOMATIC,30RH
DGG = TRANSMISSION - 3-SPD.
AUTOMATIC,32RH
DG0 = All Automatic Transmissions
DBB = All Manual Transmissions
DD0 = All 5 Speed Manual
Transmissions

AR = use ase required - = Non illustrated part

2000 TJ

Frame
Figure 13-110



ITEM	PART NUMBER	QTY	LINE	SERIES	BODY	ENGINE	TRANS	TRIM	DESCRIPTION
	06035739	6	J						
		6	U						
19	05003831AA	4	J						BRACKET, Frame
		4	U						
20	05003836AA	2	J						BRACKET, Frame
		2	U						
21	05003832AA	1	J						BRACKET, Frame Rail
		1	U						Right
	05003833AA	1	J						Right
		1	U						Left
		1	J						Left
		1	U						
22	52058136	1	J						CROSSMEMBER, Intermediate
		1	U						Rear
23	52058121AB	1	J						CROSSMEMBER, Rear Frame
		1	U						
24	52058772	1	J						REINFORCEMENT, Crossmember
		1	U						Right
	52058773	1	J						Right
		1	U						Left
		1	J						Left
		1	U						
25	52058420	1	J						BRACKET, Frame Rail
		1	U						Right
	52058421	1	J						Right
		1	U						Left
		1	J						Left
		1	U						

WRANGLER (TJ)

SERIES

H = Sport
L = SE
P = Sahara

LINE

J = Wrangler 4WD
U = Wrangler 4WD (RHD)

BODY

77 = 93.4 WB

ENGINE

EPE = ENGINE - 2.5L POWER
TECH I-4 Cyl.
ERH = ENGINE - 4.0L
POWER TECH I-6

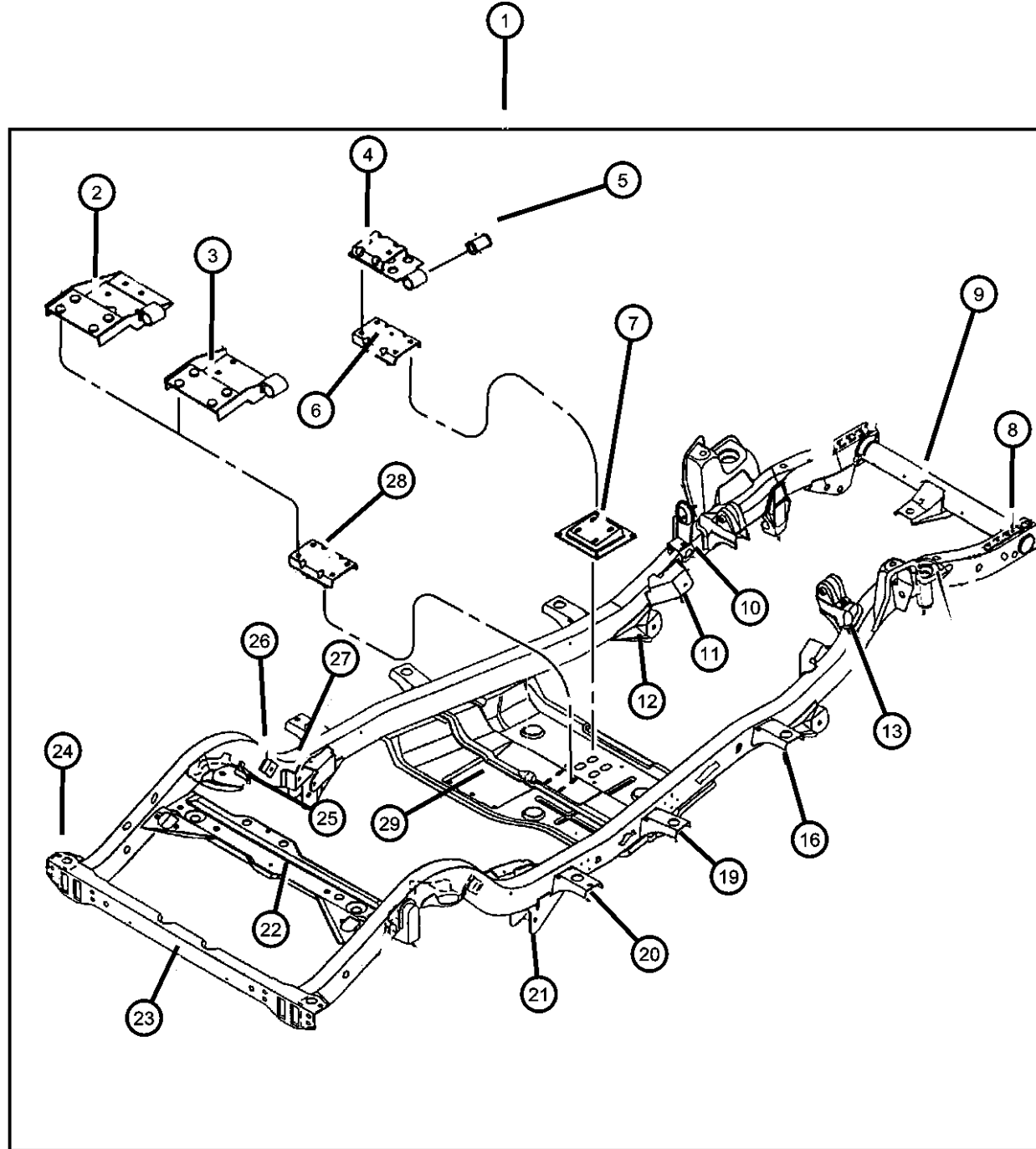
TRANSMISSION

DDD = TRANSMISSION - 5-SPEED
HD MANUAL
DDQ = TRANSMISSION - 5-SPEED
MANUAL
DGD = TRANSMISSION - 3-SPD.
AUTOMATIC,30RH
DGG = TRANSMISSION - 3-SPD.
AUTOMATIC,32RH
DG0 = All Automatic Transmissions
DBB = All Manual Transmissions
DD0 = All 5 Speed Manual
Transmissions

AR = use ase required - = Non illustrated part

2000 TJ

Frame
Figure 13-110



ITEM	PART NUMBER	QTY	LINE	SERIES	BODY	ENGINE	TRANS	TRIM	DESCRIPTION
26	52058632	2	J						BRACKET, Stabilizer Bar
		2	U						
27	52058466AB	1	J						BRACKET, Upper Control Arm Right
		1	U						Right
	52058467AB	1	J						Left
		1	U						Left
28	52058551AB	1							MOUNT, Transmission, Trans. Support
29	52058133AC	1	J						SKID PLATE, Support
		1	U						

WRANGLER (TJ)

SERIES LINE
H = Sport J = Wrangler 4WD
L = SE U = Wrangler 4WD (RHD)
P = Sahara

BODY
77 = 93.4 WB

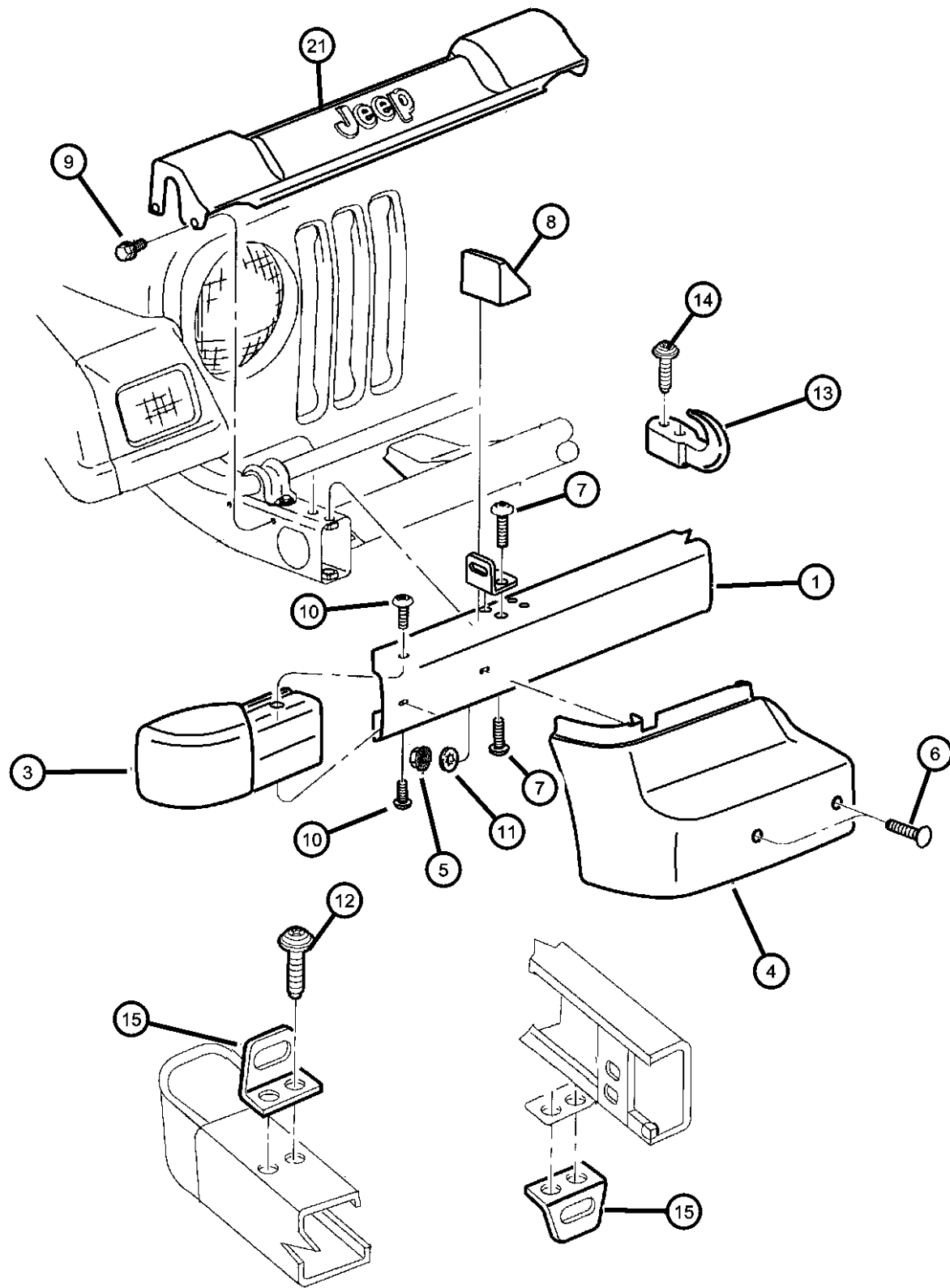
ENGINE
EPE = ENGINE - 2.5L POWER
TECH I-4 Cyl.
ERH = ENGINE - 4.0L
POWER TECH I-6

TRANSMISSION
DDD = TRANSMISSION - 5-SPEED
HD MANUAL
DDQ = TRANSMISSION - 5-SPEED
MANUAL
DGD = TRANSMISSION - 3-SPD.
AUTOMATIC,30RH
DGG = TRANSMISSION - 3-SPD.
AUTOMATIC,32RH
DG0 = All Automatic Transmissions
DBB = All Manual Transmissions
DD0 = All 5 Speed Manual
Transmissions

AR = use ase required - = Non illustrated part

2000 TJ

Bumper, Front
Figure 13-210



ITEM	PART NUMBER	QTY	LINE	SERIES	BODY	ENGINE	TRANS	TRIM	DESCRIPTION
1	5ED16JX8AF	1							BAR, Bumper Front - Painted
-2	06036062AA	4							SCREW, Pan Head
3									EXTENSION, Bumper
	55155756AA	1							Right
	55155757AA	1							Left
	55155762AA	1							Export, Right
	55155763AA	1							Export, Left
4									COVER, Bumper
	55155668AB	1							Export, Right
	55155669AB	1							Export, Left
5	06504723	4							BOLT
6	06036060AA	4							SCREW
7	06036060AA	4							CAP, (NOT SERVICED)
8	06036181AA	4							SCREW AND WASHER
9	06504212	2							SCREW, Large Round Washer Head Lock, M6x1.00x20.00
10	06100840	4							NUT, Spring
11	06101447	4							NUT AND WASHER, M6x1.00
12	06101447	4							SCREW, (NOT SERVICED)
13									HOOK, Tow
	52059015	1							Left
	52059016	1							Right
14	52059016	1							SCREW, (NOT SERVICED)
15									HOOK, Tow
	52059015	1							Left Front
	52059016	1							Right Front
	52059379AA	1							Rear
-16	55174994	1			H, L, P				BRACKET, License Plate, [MFR]
-17	J4006126	2							NUT, Plastic
-18	J4006126	2							SCREW, (NOT SERVICED)
-19	06504662	4							RETAINER, Push On

WRANGLER (TJ)

SERIES LINE BODY ENGINE TRANSMISSION
H = Sport J = Wrangler 4WD 77 = 93.4 WB
L = SE U = Wrangler 4WD (RHD)
P = Sahara

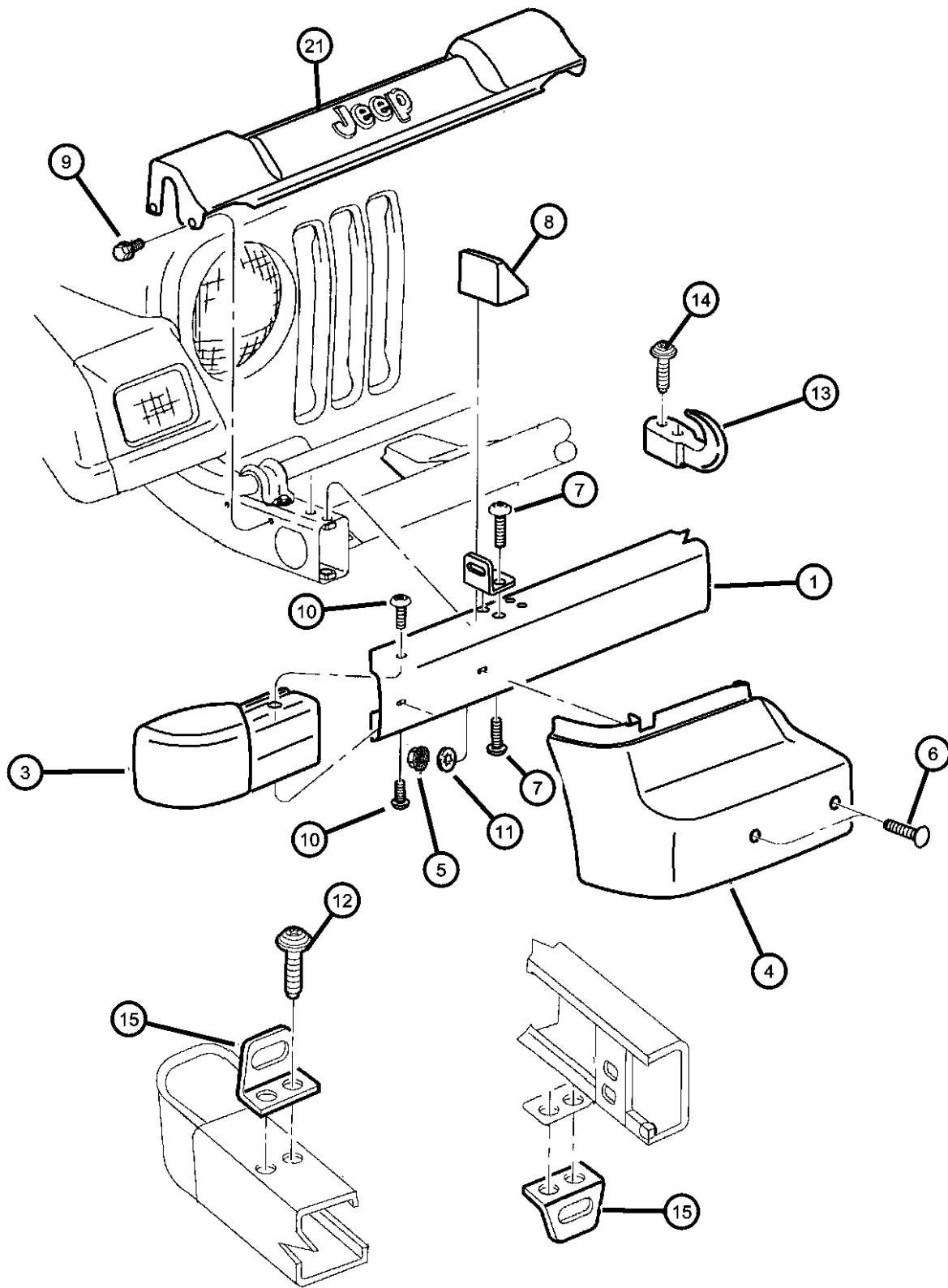
ENGINE TRANSMISSION
EPE = ENGINE - 2.5L POWER TECH I-4 Cyl.
ERH = ENGINE - 4.0L POWER TECH I-6
DDD = TRANSMISSION - 5-SPEED HD MANUAL
DDQ = TRANSMISSION - 5-SPEED MANUAL
DGD = TRANSMISSION - 3-SPD. AUTOMATIC,30RH
DGG = TRANSMISSION - 3-SPD. AUTOMATIC,32RH
DGO = All Automatic Transmissions
DBB = All Manual Transmissions
DD0 = All 5 Speed Manual Transmissions

AR = use ase required - = Non illustrated part

2000 TJ

Bumper, Front
Figure 13-210

ITEM	PART NUMBER	QTY	LINE	SERIES	BODY	ENGINE	TRANS	TRIM	DESCRIPTION
------	-------------	-----	------	--------	------	--------	-------	------	-------------



-20	06504662	4							NUT, (NOT SERVICED)
21	55155667AF	1							COVER, Bumper
-22	52000240AC	2							GUARD, Bumper

WRANGLER (TJ)

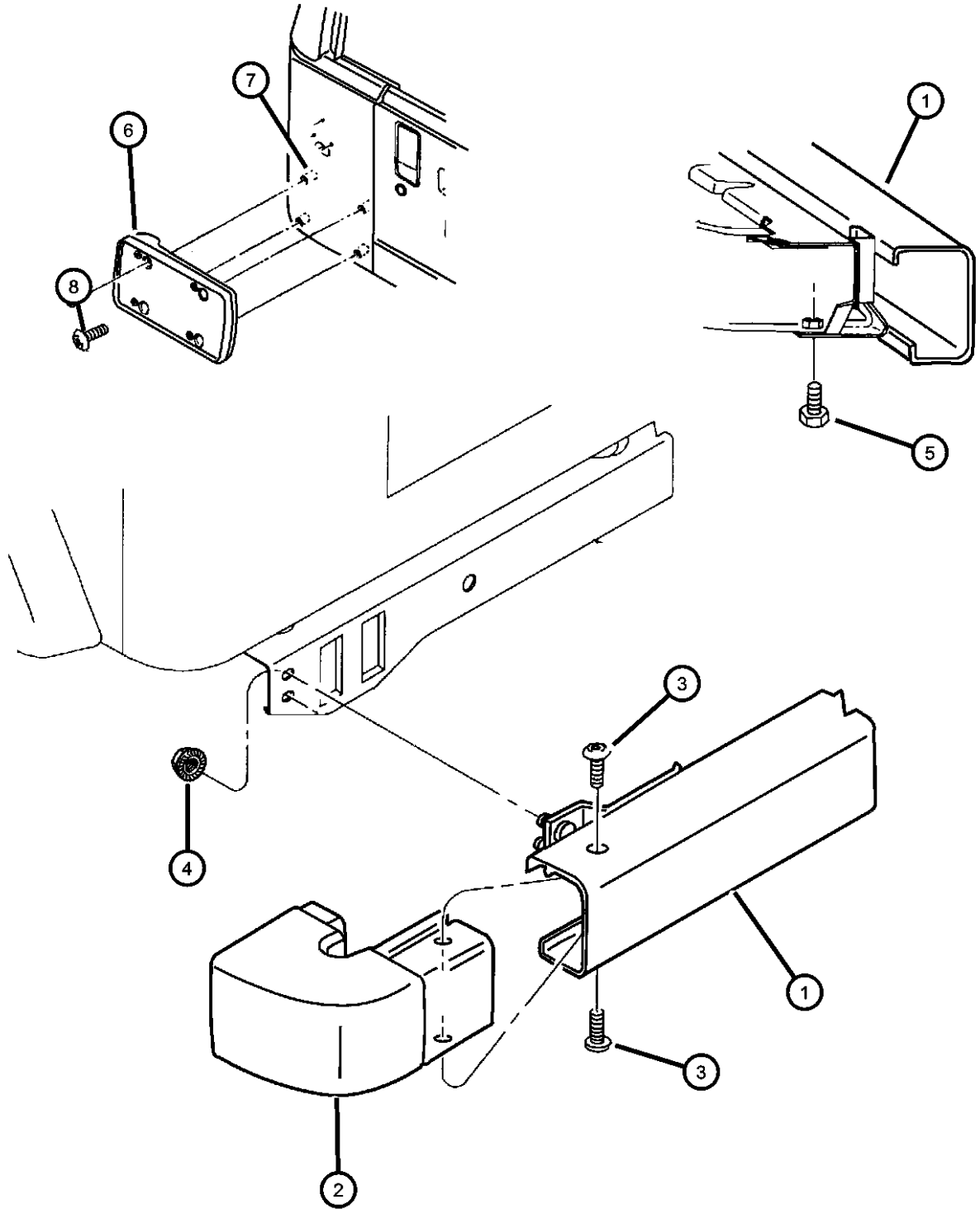
SERIES	LINE	BODY
H = Sport	J = Wrangler 4WD	77 = 93.4 WB
L = SE	U = Wrangler 4WD (RHD)	
P = Sahara		

ENGINE	TRANSMISSION
EPE = ENGINE - 2.5L POWER TECH I-4 Cyl.	DDD = TRANSMISSION - 5-SPEED HD MANUAL
ERH = ENGINE - 4.0L POWER TECH I-6	DDQ = TRANSMISSION - 5-SPEED MANUAL
	DGD = TRANSMISSION - 3-SPD. AUTOMATIC,30RH
	DGG = TRANSMISSION - 3-SPD. AUTOMATIC,32RH
	DG0 = All Automatic Transmissions
	DBB = All Manual Transmissions
	DD0 = All 5 Speed Manual Transmissions

AR = use ase required - = Non illustrated part

2000 TJ

Bumper, Rear
Figure 13-310



ITEM	PART NUMBER	QTY	LINE	SERIES	BODY	ENGINE	TRANS	TRIM	DESCRIPTION
1	5ED18JX8AB	1							BAR, Bumper Rear - Black
	5EY03JX8AE	1							Export
2	55155760AA	1							EXTENSION, Bumper
	55155761AA	1							Right
	55155762AA	1							Left
	55155763AA	1							Export, Right
	55155763AA	1							Export, Left
3	06504212	2							SCREW, Large Round Washer Head Lock, M6x1.00x20.00
4	06504212	2							NUT, Hex, .437-14, (NOT REQUIRED)
5	06504212	2							SCREW, (NOT SERVICED)
6	55174994	1		H, L, P					BRACKET, License Plate
7	06504662	4							RETAINER, Push On
8	34201686	2							BOLT, Hex Flange Head, M12x1.18x35
-9	52059379AA	1							HOOK, Tow
-10	06505192AA	2							PLUG

WRANGLER (TJ)

SERIES LINE
H = Sport J = Wrangler 4WD
L = SE U = Wrangler 4WD (RHD)
P = Sahara

BODY
77 = 93.4 WB

ENGINE
EPE = ENGINE - 2.5L POWER TECH I-4 Cyl.
ERH = ENGINE - 4.0L POWER TECH I-6

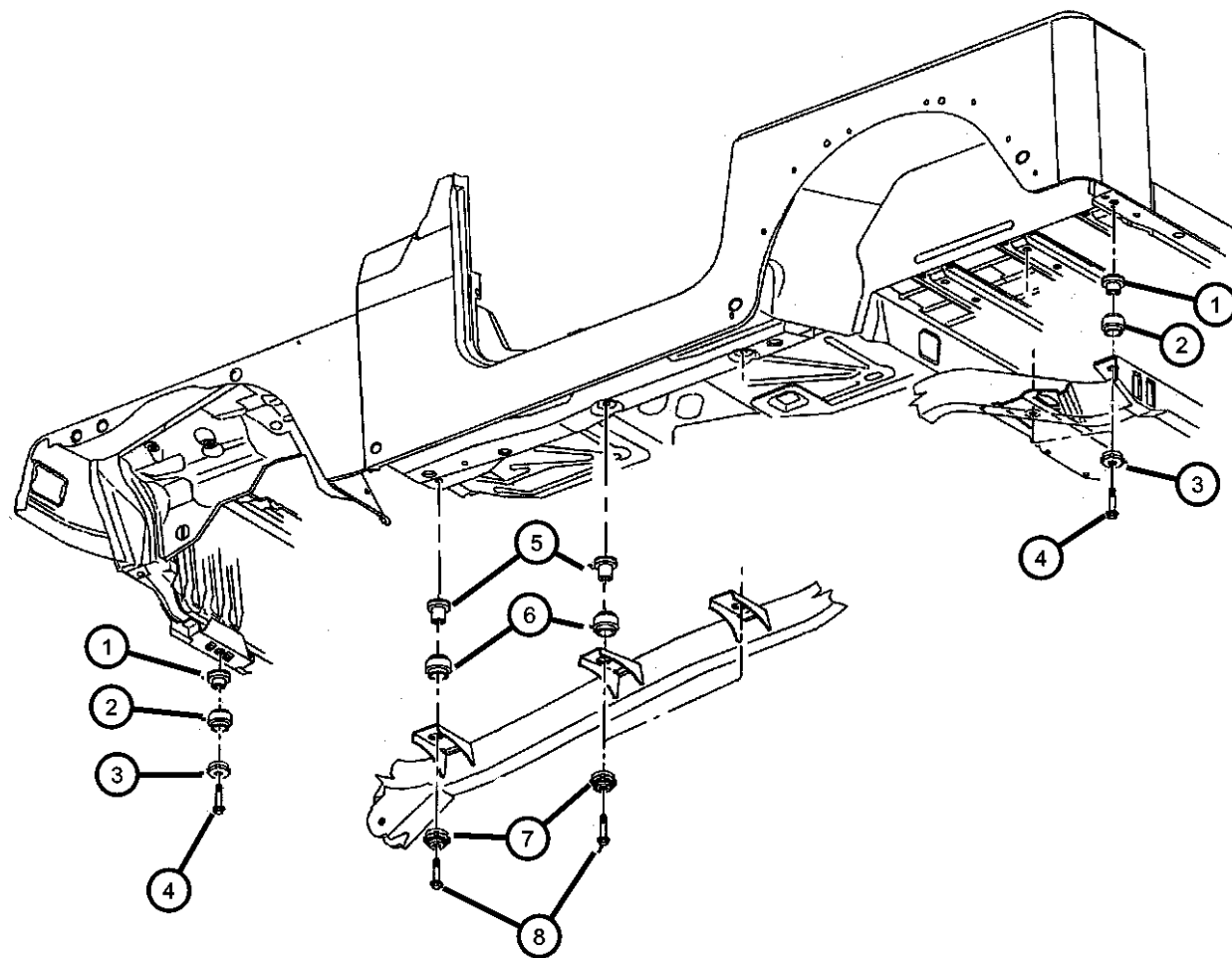
TRANSMISSION
DDD = TRANSMISSION - 5-SPEED HD MANUAL
DDQ = TRANSMISSION - 5-SPEED MANUAL
DGD = TRANSMISSION - 3-SPD. AUTOMATIC,30RH
DGG = TRANSMISSION - 3-SPD. AUTOMATIC,32RH
DGO = All Automatic Transmissions
DBB = All Manual Transmissions
DDO = All 5 Speed Manual Transmissions

AR = use ase required - = Non illustrated part

2000 TJ

**Body Mounting Hardware
Figure 13-510**

ITEM	PART NUMBER	QTY	LINE	SERIES	BODY	ENGINE	TRANS	TRIM	DESCRIPTION
1	52001961	6							RETAINER, Body Mount
2	55176179	5							INSULATOR, Body Hold Down
3	55176178	5							INSULATOR, Body Hold Down
4	06035438	1							SCREW
5	52002661	5							RETAINER, Body Mount
6	55176177AB	6							INSULATOR, Body Hold Down
7	55176180	6							INSULATOR, Body Hold Down
8	J4007571	6							SCREW, Hex Flange Head, .50-13x3.75



WRANGLER (TJ)

SERIES

H = Sport
L = SE
P = Sahara

LINE

J = Wrangler 4WD
U = Wrangler 4WD (RHD)

BODY

77 = 93.4 WB

ENGINE

EPE = ENGINE - 2.5L POWER
TECH I-4 Cyl.
ERH = ENGINE - 4.0L
POWER TECH I-6

TRANSMISSION

DDD = TRANSMISSION - 5-SPEED
HD MANUAL
DDQ = TRANSMISSION - 5-SPEED
MANUAL
DGD = TRANSMISSION - 3-SPD.
AUTOMATIC,30RH
DGG = TRANSMISSION - 3-SPD.
AUTOMATIC,32RH
DG0 = All Automatic Transmissions
DBB = All Manual Transmissions
DD0 = All 5 Speed Manual
Transmissions

AR = use ase required - = Non illustrated part

2000 TJ

Group - 14

Fuel

Group - 14 Fuel

Group-Fig. No.

Illustration Title

Tank, Fuel

Fuel Tank Fig. 14 - 110

Fuel Tank Filler Tube

Fuel Filler Tube Fig. 14 - 210

Fuel Lines

Fuel Lines, Front Fig. 14 - 310

Fuel Lines, Rear Fig. 14 - 320

Fuel Lines, Front Fig. 14 - 335

Fuel Lines, Rear Fig. 14 - 340

Fuel Rail

Fuel Injection System Fig. 14 - 410

Fuel Pump and Sending Unit

Fuel Module Fig. 14 - 510

Throttle Body

Throttle Body Fig. 14 - 610

Throttle Controls

Throttle Controls Fig. 14 - 710

Air Cleaner

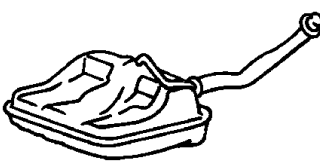
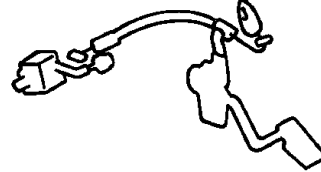

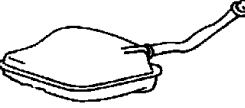
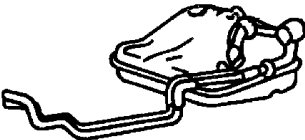
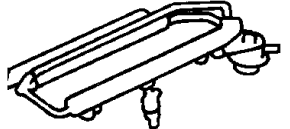
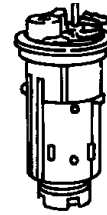

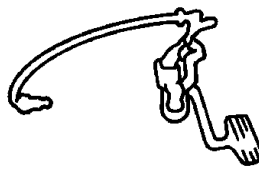
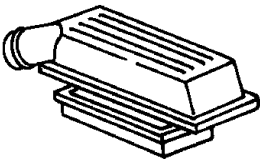
Air Cleaner Fig. 14 - 810

Speed Control

Speed Control Fig. 14 - 1010

Accelerator Pedal

Accelerator Pedal Fig. 14 - 1110

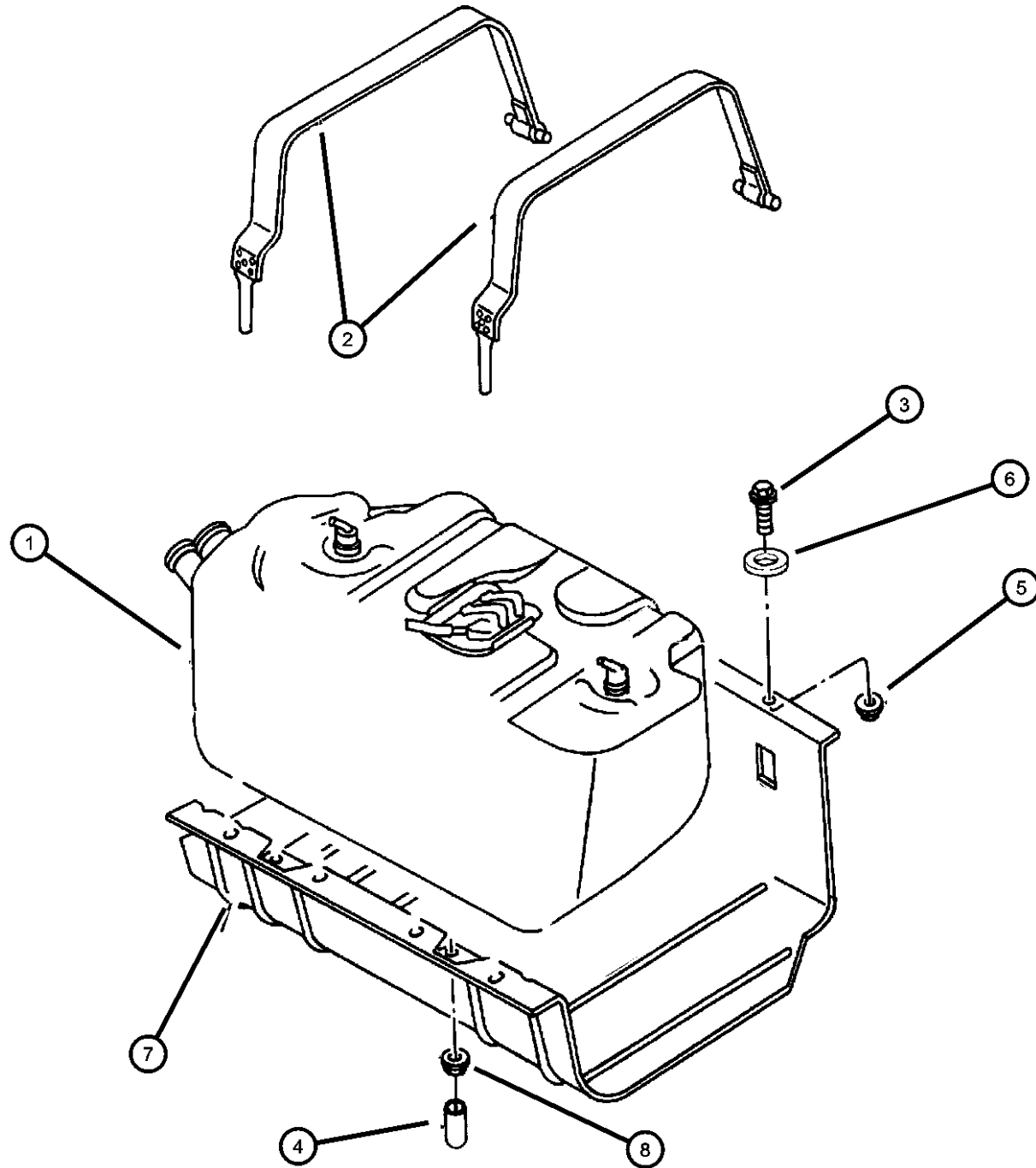
<p>014-100 Tank, Fuel</p> 	<p>014-1000 Speed Control</p> 	<p>014-1100 Accelerator Pedal</p> 	<p>014-200 Fuel Tank Filler Tube</p> 
<p>014-300 Fuel Lines</p> 	<p>014-400 Fuel Rail</p> 	<p>014-500 Fuel Pump and Sending Unit</p> 	<p>014-600 Throttle Body</p> 
<p>014-700 Throttle Controls</p> 	<p>014-800 Air Cleaner</p> 		

**Fuel Tank
Figure 14-110**

ITEM	PART NUMBER	QTY	LINE	SERIES	BODY	ENGINE	TRANS	TRIM	DESCRIPTION
------	-------------	-----	------	--------	------	--------	-------	------	-------------

NOTE: EP0=All 2.5L Gas Engines ER0=All 4.0L Engines

1	52018768AD	1				EP0, ER0			TANK, Fuel
2	52100235	2							STRAP, Fuel Tank
3	J4005819	7							BOLT, .312-18x.750
4	52018098	2							CAP, Support Strap Stud
5	J4003954	7							NUT, Hex
6	J4005293	7							RETAINER, Push In Type M6.3 Hole
7	52100219	1							PLATE, Skid
8	J4003587	2							NUT, Hex



WRANGLER (TJ)

SERIES

H = Sport
L = SE
P = Sahara

LINE

J = Wrangler 4WD
U = Wrangler 4WD (RHD)

BODY

77 = 93.4 WB

ENGINE

EPE = ENGINE - 2.5L POWER
TECH I-4 Cyl.
ERH = ENGINE - 4.0L
POWER TECH I-6

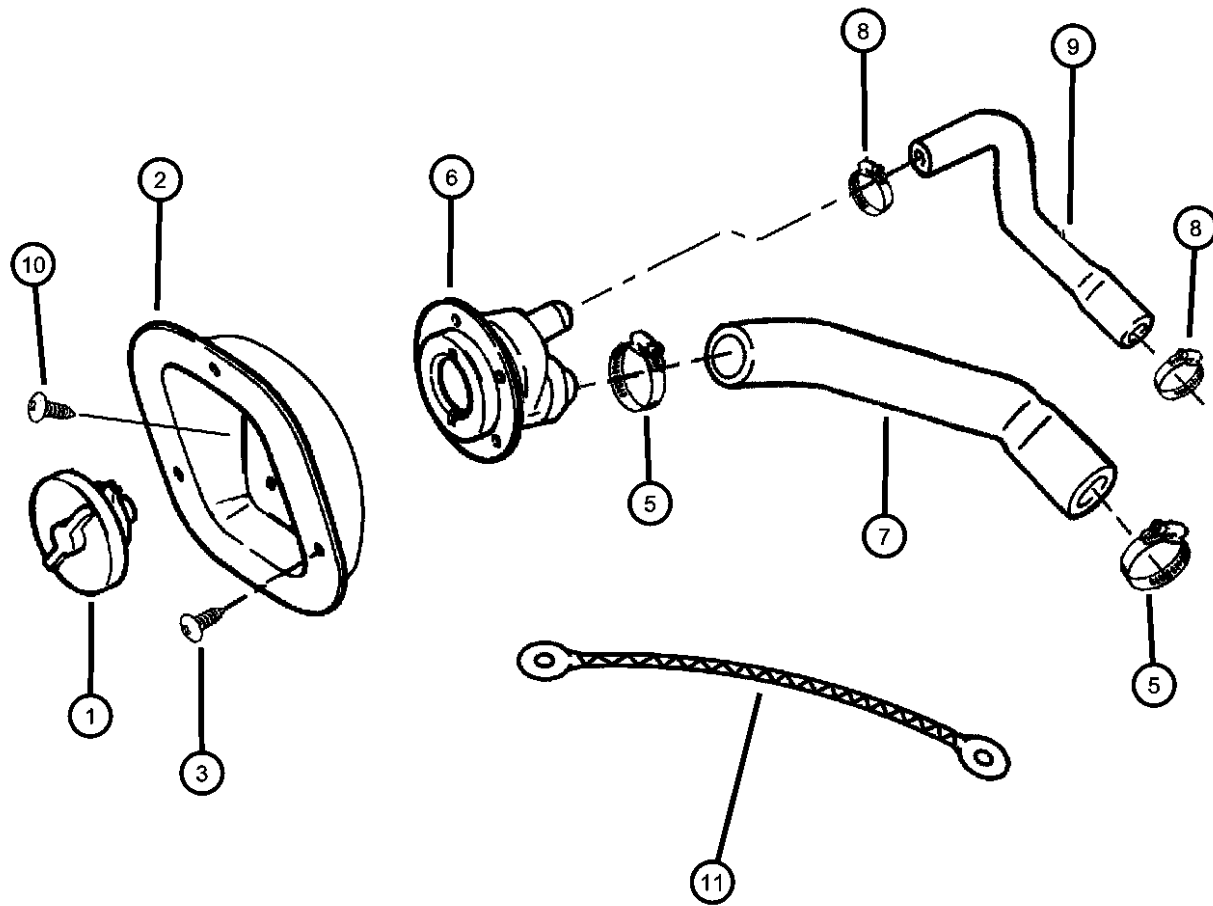
TRANSMISSION

DDD = TRANSMISSION - 5-SPEED
HD MANUAL
DDQ = TRANSMISSION - 5-SPEED
MANUAL
DGD = TRANSMISSION - 3-SPD.
AUTOMATIC,30RH
DGG = TRANSMISSION - 3-SPD.
AUTOMATIC,32RH
DG0 = All Automatic Transmissions
DBB = All Manual Transmissions
DD0 = All 5 Speed Manual
Transmissions

AR = use ase required - = Non illustrated part

2000 TJ

Fuel Filler Tube
Figure 14-210



ITEM	PART NUMBER	QTY	LINE	SERIES	BODY	ENGINE	TRANS	TRIM	DESCRIPTION
------	-------------	-----	------	--------	------	--------	-------	------	-------------

NOTE: EP0=All 2.5L Gas Engines ER0=All 4.0L Engines

1									CAP, Fuel Filler
	52100116AB	1							Non Locking, Export
		1	J						Non Locking, Canada
	52127863AB	1	J						Non Locking, Federal
	52127864AB	1							Locking
2	52127675AB	1							HOUSING, Fuel Filler
3	52127675AB	1							SCREW, [.190-16x.500], (NOT SERVICED)
-4	00153651	4							SCREW AND WASHER, .190-16x.500
5	06502090	1				EP0, ER0			CLAMP, Hose
6									TUBE, Fuel Filler
	52079325AB	1	J			EP0, ER0			Federal, Canada
		1				EP0, ER0			Export
	52079326	1				EP0, ER0			Leaded Fuel
7	52100032AD	1				EP0, ER0			HOSE, Fuel Filler
8	J3203077	1				EP0, ER0			CLAMP, Hose
9	52100033AD	1				EP0, ER0			HOSE, Fuel Tank Vent
10	00153832	4							SCREW, .190-16x1.00
11	52100212	1				EP0, ER0			STRAP, Ground

WRANGLER (TJ)

SERIES

H = Sport
L = SE
P = Sahara

LINE

J = Wrangler 4WD
U = Wrangler 4WD (RHD)

BODY

77 = 93.4 WB

ENGINE

EPE = ENGINE - 2.5L POWER
TECH I-4 Cyl.
ERH = ENGINE - 4.0L
POWER TECH I-6

TRANSMISSION

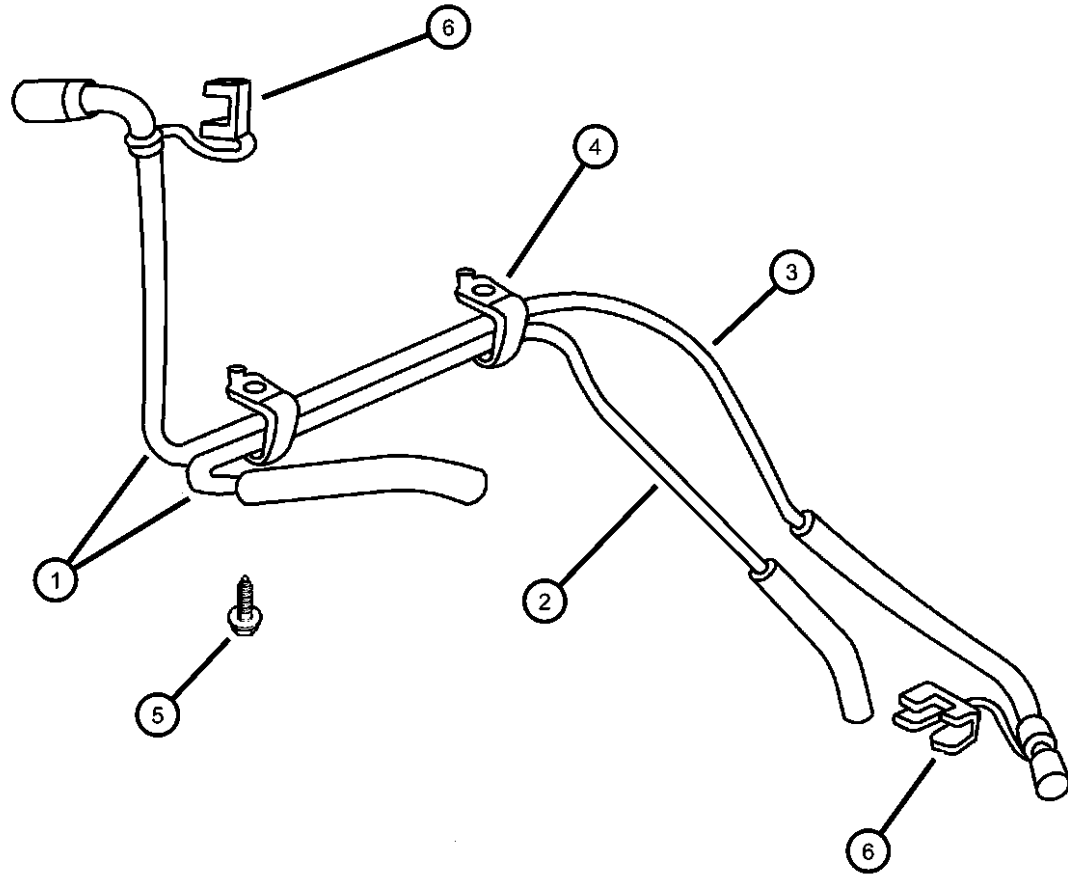
DDD = TRANSMISSION - 5-SPEED
HD MANUAL
DDQ = TRANSMISSION - 5-SPEED
MANUAL
DGD = TRANSMISSION - 3-SPD.
AUTOMATIC,30RH
DGG = TRANSMISSION - 3-SPD.
AUTOMATIC,32RH
DG0 = All Automatic Transmissions
DBB = All Manual Transmissions
DD0 = All 5 Speed Manual
Transmissions

AR = use ase required - = Non illustrated part

2000 TJ

Fuel Lines, Front
Figure 14-310

ITEM	PART NUMBER	QTY	LINE	SERIES	BODY	ENGINE	TRANS	TRIM	DESCRIPTION
NOTE: EP0=All 2.5L Gas Engines									
1	52100278AG	1				EP0			BUNDLE, Fuel Line
2	52127628AB	1				EP0			TUBE, Fuel
3	52127628AB	1							TUBE, Fuel Vapor, Serviced in Fuel Bundle, (NOT SERVICED)
4	52127628AB	1							CLIP, Fuel Line, (NOT SERVICED)
5	06101786	2				EP0			SCREW, Self Tapping, M6x1x15
6	52127788	2				EP0			CLIP, Fuel Line



WRANGLER (TJ)

SERIES	LINE	BODY	ENGINE	TRANSMISSION
H = Sport	J = Wrangler 4WD	77 = 93.4 WB	EPE = ENGINE - 2.5L POWER TECH I-4 Cyl.	DDD = TRANSMISSION - 5-SPEED HD MANUAL
L = SE	U = Wrangler 4WD (RHD)		ERH = ENGINE - 4.0L POWER TECH I-6	DDQ = TRANSMISSION - 5-SPEED MANUAL
P = Sahara				DGD = TRANSMISSION - 3-SPD. AUTOMATIC,30RH
				DGG = TRANSMISSION - 3-SPD. AUTOMATIC,32RH
				DG0 = All Automatic Transmissions
				DBB = All Manual Transmissions
				DD0 = All 5 Speed Manual Transmissions

AR = use ase required - = Non illustrated part

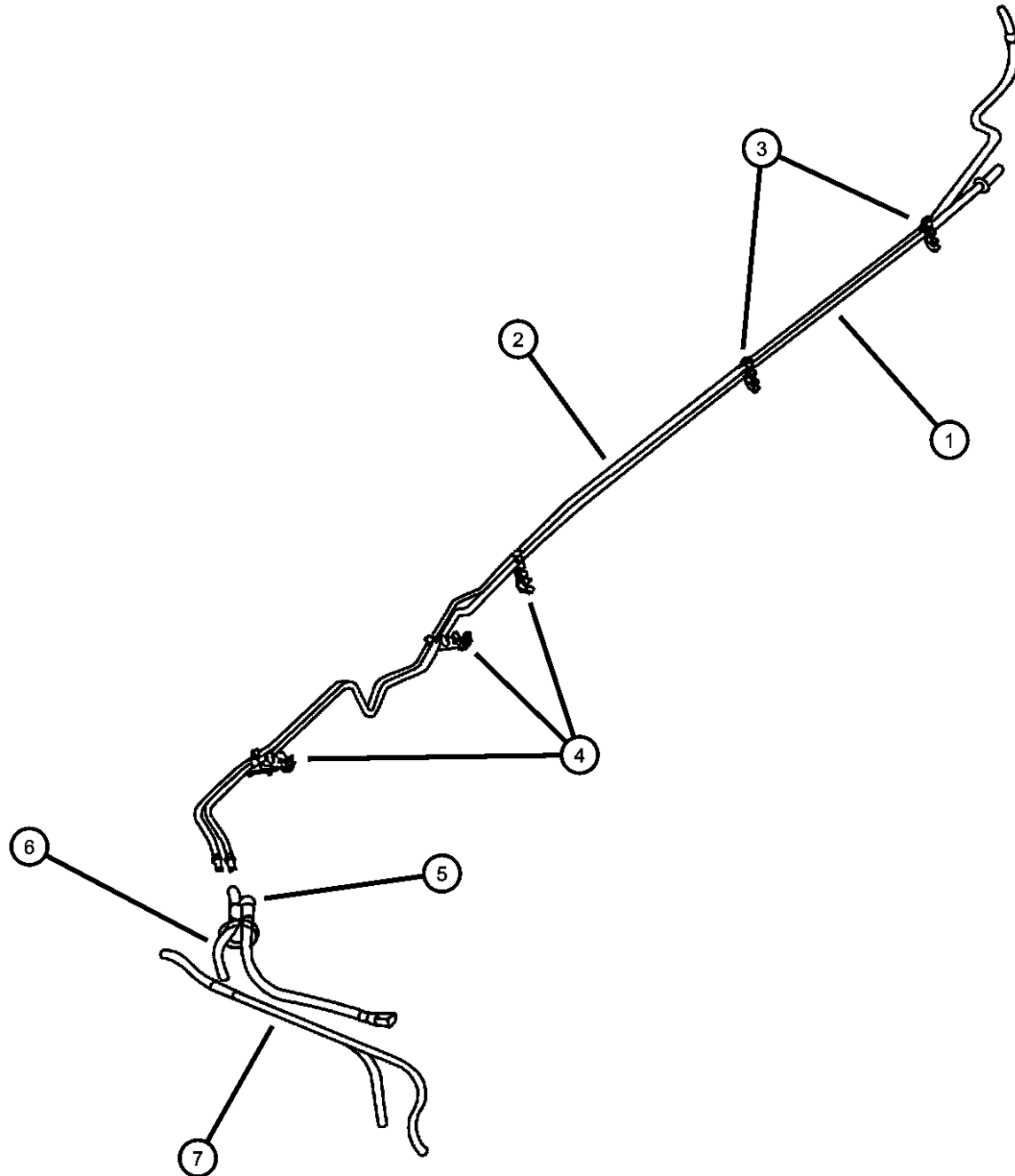
2000 TJ

Fuel Lines, Rear
Figure 14-320

ITEM	PART NUMBER	QTY	LINE	SERIES	BODY	ENGINE	TRANS	TRIM	DESCRIPTION
------	-------------	-----	------	--------	------	--------	-------	------	-------------

NOTE: EPO= All 2.5L Gas Engines
ERO= All 4.0L Gas Engines

1	52127502	1				EPO, ERO			TUBE, Fuel Supply
2	52127601	1				EPO, ERO			TUBE, Fuel Vapor
3	34202371	2				EPO, ERO			CLIP, Quad Tubes
4	52007995	3				EPO, ERO			CLIP, Five Way Fastener
5	52100167	1				EPO, ERO			BUNDLE, Fuel Line
6	HFV00316	1				EPO, ERO			HOSE, Fuel And Vapor, 25 Foot Roll 3/16"
7	52100185AB	1				EPO, ERO			HOSE, Fuel Vapor



WRANGLER (TJ)

SERIES LINE BODY
 H = Sport J = Wrangler 4WD 77 = 93.4 WB
 L = SE U = Wrangler 4WD (RHD)
 P = Sahara

BODY
 77 = 93.4 WB

ENGINE
 EPE = ENGINE - 2.5L POWER
 TECH I-4 Cyl.
 ERH = ENGINE - 4.0L
 POWER TECH I-6

TRANSMISSION
 DDD = TRANSMISSION - 5-SPEED
 HD MANUAL
 DDQ = TRANSMISSION - 5-SPEED
 MANUAL
 DGD = TRANSMISSION - 3-SPD.
 AUTOMATIC,30RH
 DGG = TRANSMISSION - 3-SPD.
 AUTOMATIC,32RH
 DG0 = All Automatic Transmissions
 DBB = All Manual Transmissions
 DD0 = All 5 Speed Manual
 Transmissions

AR = use ase required - = Non illustrated part

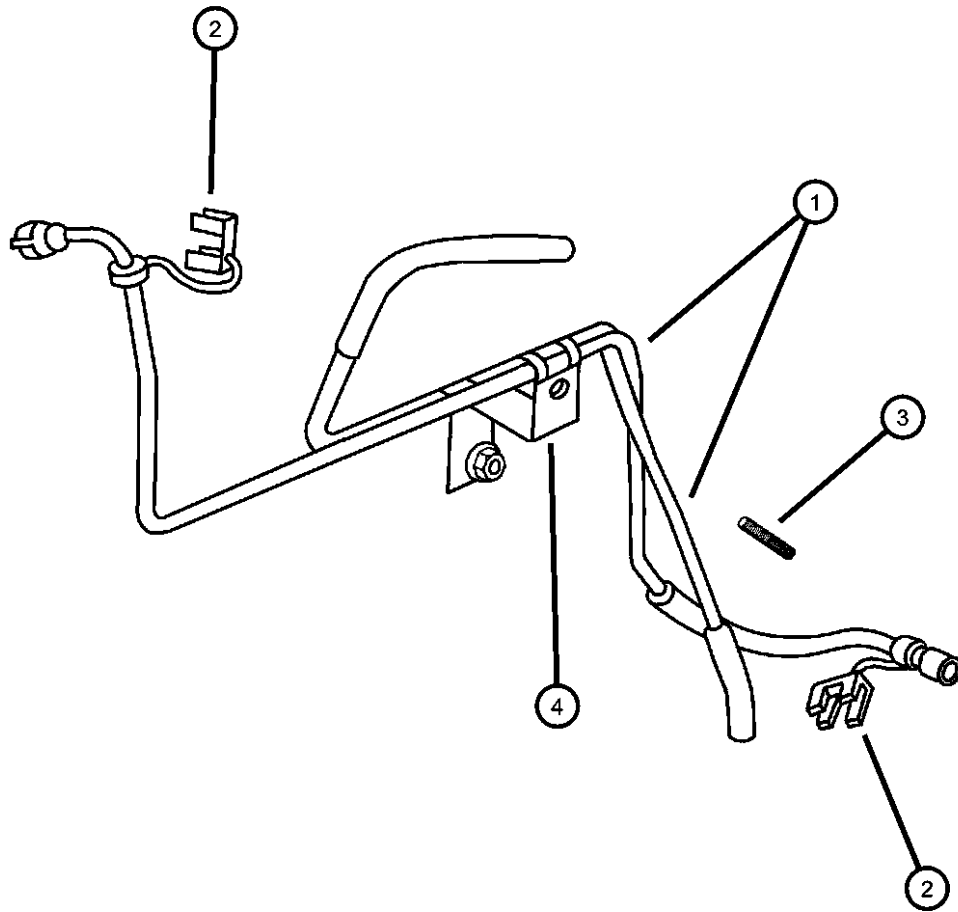
2000 TJ

Fuel Lines, Front
Figure 14-335

ITEM	PART NUMBER	QTY	LINE	SERIES	BODY	ENGINE	TRANS	TRIM	DESCRIPTION
------	-------------	-----	------	--------	------	--------	-------	------	-------------

Note: ERO= All 4.0L Gas Engines

1	52100272AH	1				ERO			BUNDLE, Fuel Line
2	52127788	2				ERO			CLIP, Fuel Line
3	06505600AA	1				ERO			STUD
4	06505600AA	1							BRACKET, (NOT SERVICED)



WRANGLER (TJ)

SERIES LINE
H = Sport J = Wrangler 4WD
L = SE U = Wrangler 4WD (RHD)
P = Sahara

BODY
77 = 93.4 WB

ENGINE
EPE = ENGINE - 2.5L POWER
TECH I-4 Cyl.
ERH = ENGINE - 4.0L
POWER TECH I-6

TRANSMISSION
DDD = TRANSMISSION - 5-SPEED
HD MANUAL
DDQ = TRANSMISSION - 5-SPEED
MANUAL
DGD = TRANSMISSION - 3-SPD.
AUTOMATIC,30RH
DGG = TRANSMISSION - 3-SPD.
AUTOMATIC,32RH
DGO = All Automatic Transmissions
DBB = All Manual Transmissions
DDO = All 5 Speed Manual
Transmissions

AR = use ase required - = Non illustrated part

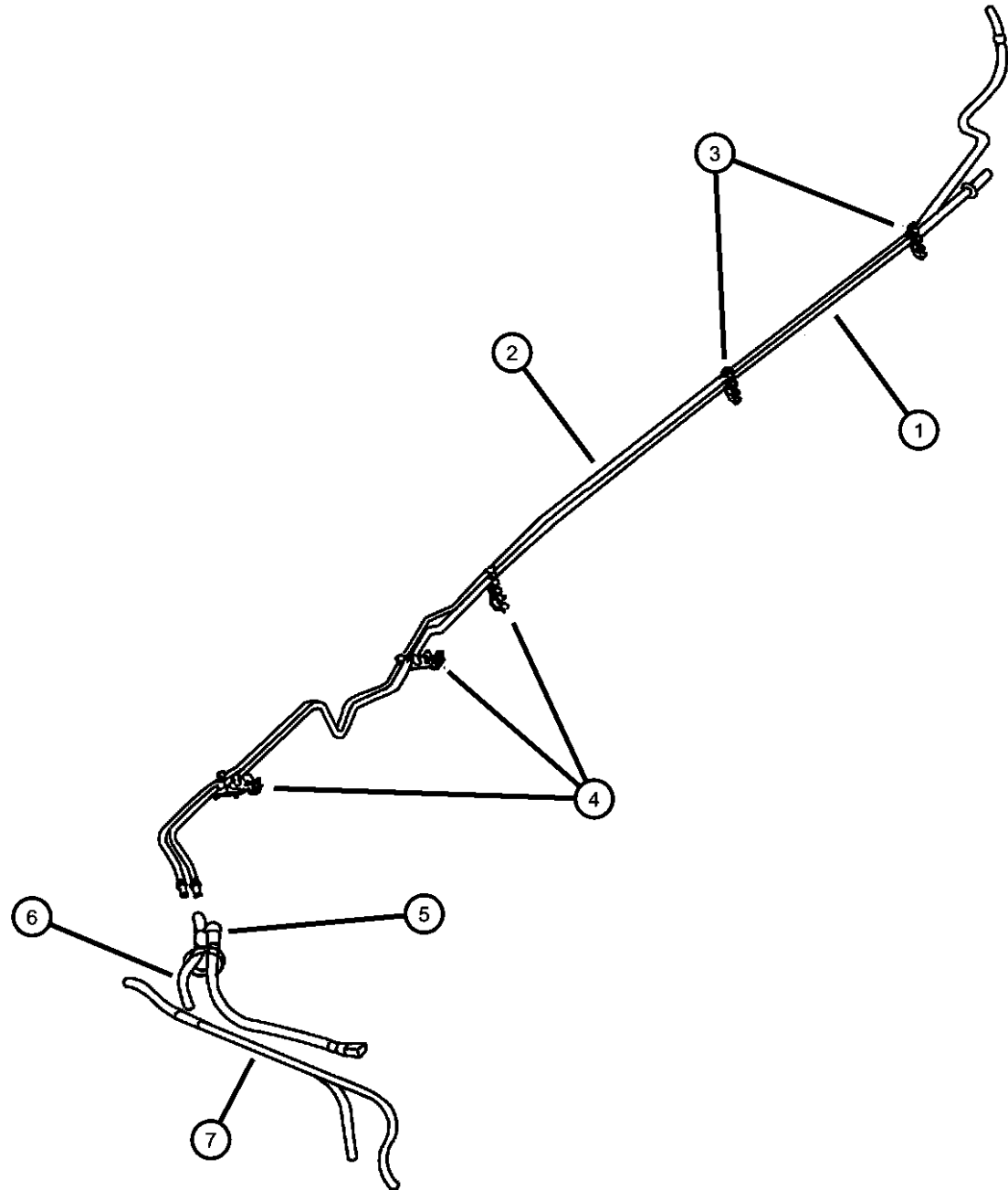
2000 TJ

Fuel Lines, Rear
Figure 14-340

ITEM	PART NUMBER	QTY	LINE	SERIES	BODY	ENGINE	TRANS	TRIM	DESCRIPTION
------	-------------	-----	------	--------	------	--------	-------	------	-------------

NOTE: ER0=All 4.0L Engines
EPO= All 2.5L Gas Engines

1	52127502	1				EP0, ER0			TUBE, Fuel Supply
2	52127601	1				EP0, ER0			TUBE, Fuel Vapor
3	34202371	2				EP0, ER0			CLIP, Quad Tubes
4	52007995	3				EP0, ER0			CLIP, Five Way Fastener
5	52100167	1				EP0, ER0			BUNDLE, Fuel Line
6	HFV00316	1				EP0, ER0			HOSE, Fuel And Vapor, 25 Foot Roll 3/16"
7	52100185AB	1				EP0, ER0			HOSE, Fuel Vapor



WRANGLER (TJ)

SERIES

H = Sport
L = SE
P = Sahara

LINE

J = Wrangler 4WD
U = Wrangler 4WD (RHD)

BODY

77 = 93.4 WB

ENGINE

EPE = ENGINE - 2.5L POWER
TECH I-4 Cyl.
ERH = ENGINE - 4.0L
POWER TECH I-6

TRANSMISSION

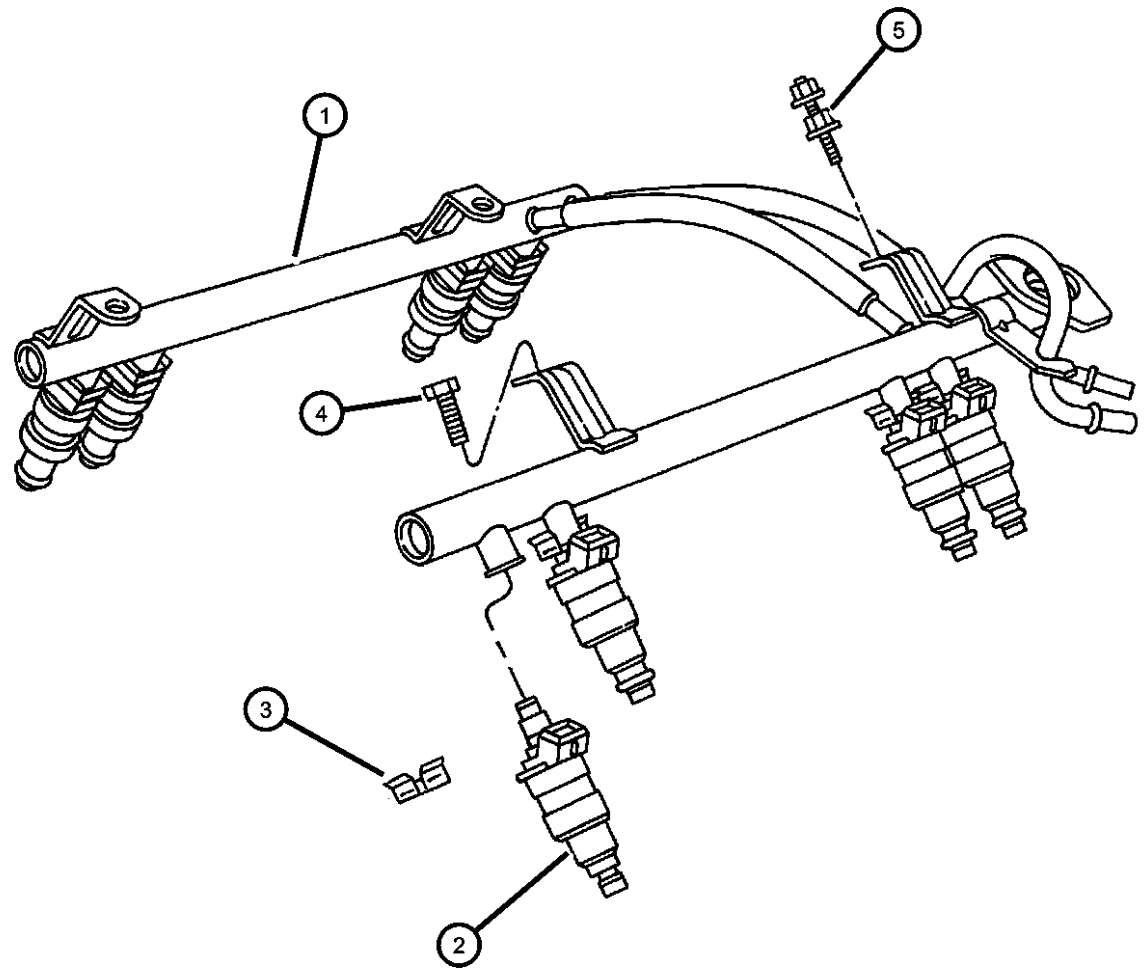
DDD = TRANSMISSION - 5-SPEED
HD MANUAL
DDQ = TRANSMISSION - 5-SPEED
MANUAL
DGD = TRANSMISSION - 3-SPD.
AUTOMATIC,30RH
DGG = TRANSMISSION - 3-SPD.
AUTOMATIC,32RH
DGO = All Automatic Transmissions
DBB = All Manual Transmissions
DDO = All 5 Speed Manual
Transmissions

AR = use ase required - = Non illustrated part

2000 TJ

**Fuel Injection System
Figure 14-410**

ITEM	PART NUMBER	QTY	LINE	SERIES	BODY	ENGINE	TRANS	TRIM	DESCRIPTION
NOTE: EP0=All 2.5L Gas Engines ER0=All 4.0L Engines									
1									RAIL, Fuel
	05013157AA	1				EP0			
	05014496AA	1				ER0			
2									INJECTOR, Fuel
	04854181	6				ER0			
	53030778	4				EP0			
3									CLIP, Fuel Injector
	04418257	4				EP0			
		6				ER0			
4	06501979	3				ER0			SCREW AND WASHER, Hex Head, M6x1x17
5	06502086	2				EP0			STUD
-6	06502647	2				ER0			STUD, M6x1.00x44
-7									CAP
	05018781AA	1				EP0			Diagnostic Port
		1				ER0			Diagnostic Port



WRANGLER (TJ)

SERIES	LINE	BODY	ENGINE	TRANSMISSION
H = Sport	J = Wrangler 4WD	77 = 93.4 WB	EPE = ENGINE - 2.5L POWER TECH I-4 Cyl.	DDD = TRANSMISSION - 5-SPEED HD MANUAL
L = SE	U = Wrangler 4WD (RHD)		ERH = ENGINE - 4.0L POWER TECH I-6	DDQ = TRANSMISSION - 5-SPEED MANUAL
P = Sahara				DGD = TRANSMISSION - 3-SPD. AUTOMATIC,30RH
				DGG = TRANSMISSION - 3-SPD. AUTOMATIC,32RH
				DG0 = All Automatic Transmissions
				DBB = All Manual Transmissions
				DD0 = All 5 Speed Manual Transmissions

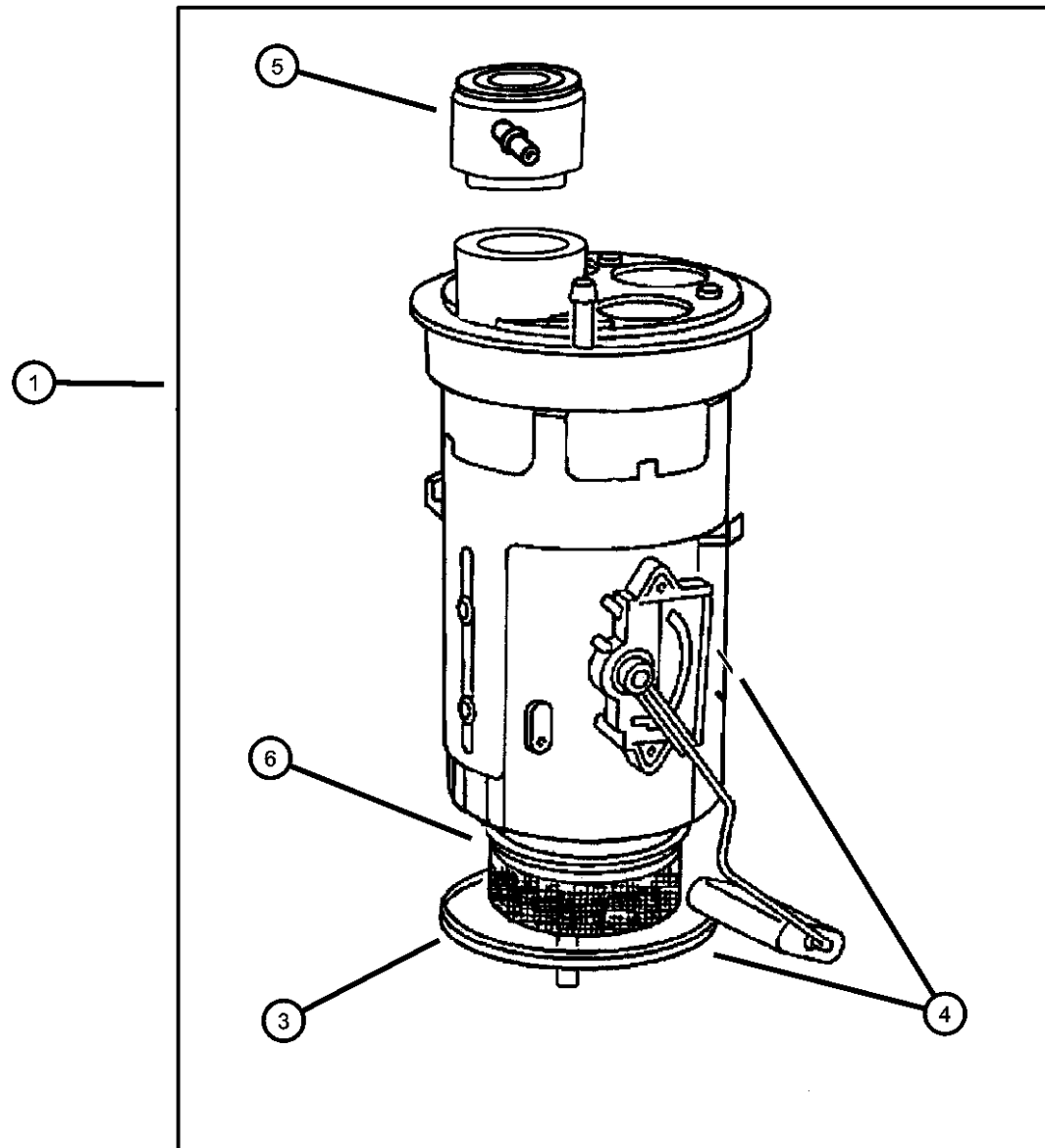
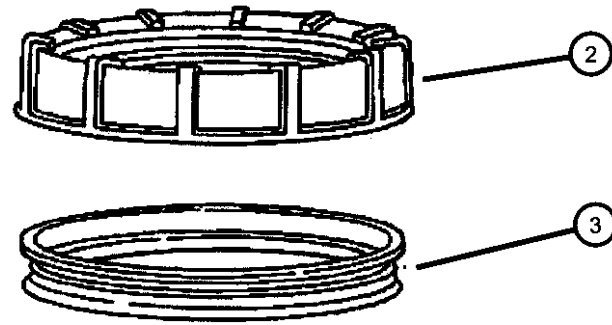
AR = use ase required - = Non illustrated part

**Fuel Module
Figure 14-510**

ITEM	PART NUMBER	QTY	LINE	SERIES	BODY	ENGINE	TRANS	TRIM	DESCRIPTION
------	-------------	-----	------	--------	------	--------	-------	------	-------------

NOTE: EP0=All 2.5L Gas Engines ER0=All 4.0L Engines

1	05012952AB	1				EP0, ER0			MODULE PACKAGE, Fuel Tank, 19 Gallon
2	52005389	1				EP0, ER0			NUT, Fuel Pump Module
3	52018808	1				EP0, ER0			SEAL, Fuel Pump and Level Unit
4	04897757AC	1				EP0, ER0			LEVEL UNIT PACKAGE, Fuel, 19 Gallon
5	04798301	1				EP0, ER0			FILTER, Fuel
6	04798301	1				EP0, ER0			FILTER, Fuel Module, Serviced in Module Assembly, (NOT SERVICED)



WRANGLER (TJ)

SERIES	LINE
H = Sport	J = Wrangler 4WD
L = SE	U = Wrangler 4WD (RHD)
P = Sahara	

BODY
77 = 93.4 WB

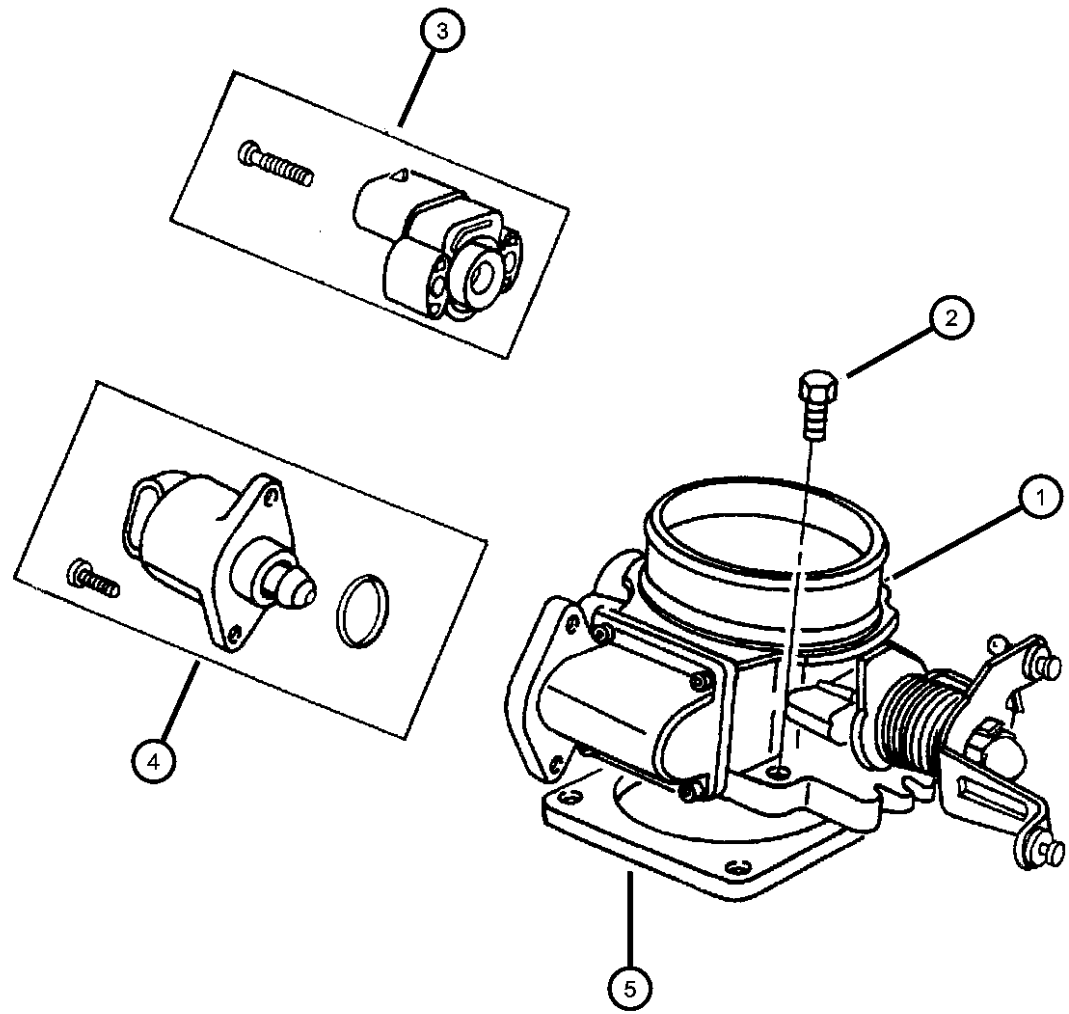
ENGINE
EPE = ENGINE - 2.5L POWER TECH I-4 Cyl.
ERH = ENGINE - 4.0L POWER TECH I-6

TRANSMISSION
DDD = TRANSMISSION - 5-SPEED HD MANUAL
DDQ = TRANSMISSION - 5-SPEED MANUAL
DGD = TRANSMISSION - 3-SPD. AUTOMATIC,30RH
DGG = TRANSMISSION - 3-SPD. AUTOMATIC,32RH
DG0 = All Automatic Transmissions
DBB = All Manual Transmissions
DD0 = All 5 Speed Manual Transmissions

AR = use ase required - = Non illustrated part

2000 TJ

**Throttle Body
Figure 14-610**



ITEM	PART NUMBER	QTY	LINE	SERIES	BODY	ENGINE	TRANS	TRIM	DESCRIPTION
NOTE: EP0=All 2.5L Gas Engines ER0=All 4.0L Engines									
1									THROTTLE BODY
	53032016AD	1				EP0			
	53032023AC	1				ER0			
2	06503929	4				EP0, ER0			SCREW AND WASHER, Coned Pilot, M6x1x30
3									SENSOR, Throttle Position
	04874371AC	1				ER0			
		1				EP0			
4									MOTOR, Air Idle Speed
	04874373AB	1				ER0			
		1				EP0			
5	53007543	1				EP0, ER0			GASKET, Throttle Body
-6	53009672	1				EP0, ER0			CONNECTOR, Emission Hose

WRANGLER (TJ)

SERIES

H = Sport
L = SE
P = Sahara

LINE

J = Wrangler 4WD
U = Wrangler 4WD (RHD)

BODY

77 = 93.4 WB

ENGINE

EPE = ENGINE - 2.5L POWER TECH I-4 Cyl.
ERH = ENGINE - 4.0L POWER TECH I-6

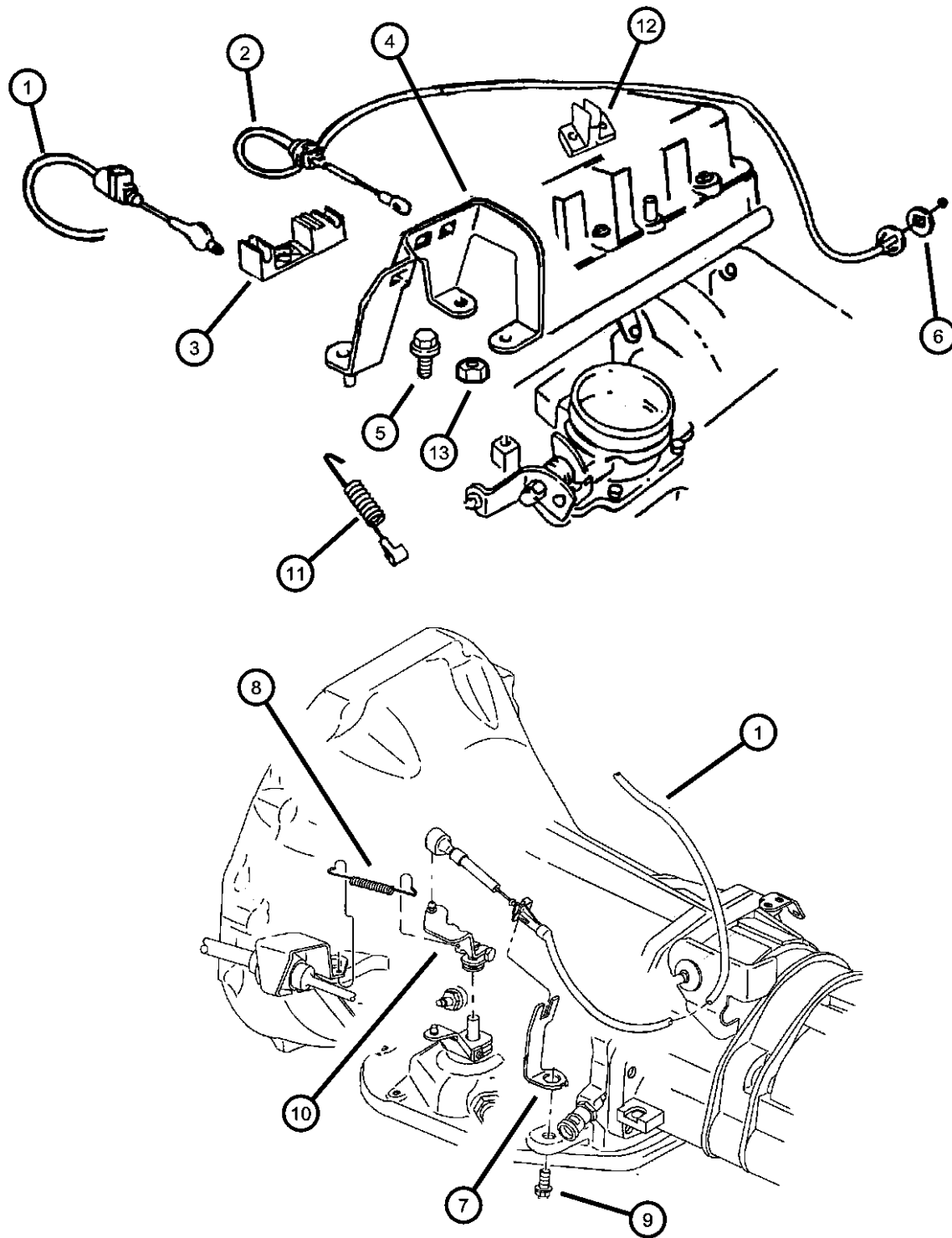
TRANSMISSION

DDD = TRANSMISSION - 5-SPEED HD MANUAL
DDQ = TRANSMISSION - 5-SPEED MANUAL
DGD = TRANSMISSION - 3-SPD. AUTOMATIC,30RH
DGG = TRANSMISSION - 3-SPD. AUTOMATIC,32RH
DG0 = All Automatic Transmissions
DBB = All Manual Transmissions
DD0 = All 5 Speed Manual Transmissions

AR = use ase required - = Non illustrated part

2000 TJ

**Throttle Controls
Figure 14-710**



ITEM	PART NUMBER	QTY	LINE	SERIES	BODY	ENGINE	TRANS	TRIM	DESCRIPTION
Note; Sales Codes [DBB]= All Manual Transmissions [DG0]= All Automatic Transmissions [EP0]= All 2.5L, 4 Cylinder Gas Engines [ER0]= All 4.0L, 6 Cylinder Gas Engines									
1	52104352AA	1				EP0, ER0	DG0		CABLE, Throttle Valve
2	04854137	1				EP0, ER0			CABLE, Accelerator
3									GUIDE, Accelerator Cable
	52079029	1				ER0			
	53007620	1				EP0			
4									BRACKET, Accelerator Cable
	53007485	1				EP0			
	53013160AA	1				ER0			
5									SCREW AND WASHER, Hex Head, M6x1x17
	06501979	3				ER0			
		2				EP0			
6		2							PLUG, Access Hole, (NOT REQUIRED)
7	52078867	1				EP0, ER0	DG0		BRACKET, Cable
8	53009055	1				EP0, ER0	DG0		SPRING, Throttle Valve Return
9	00181112	1				EP0, ER0	DG0		SCREW AND WASHER, .375-16x1.00
10	52078723AB	1				EP0, ER0	DG0		LEVER, Throttle Valve
11	52078102AB	1				EP0, ER0	DBB		SPRING, Throttle Return
12	52078987	1	J			ER0			GUIDE, Accelerator Cable
13	06100047	1				EP0			NUT AND WASHER, Hex Nut-Coned Washer, M6 x 1.00

WRANGLER (TJ)

SERIES	LINE
H = Sport	J = Wrangler 4WD
L = SE	U = Wrangler 4WD (RHD)
P = Sahara	

BODY
77 = 93.4 WB

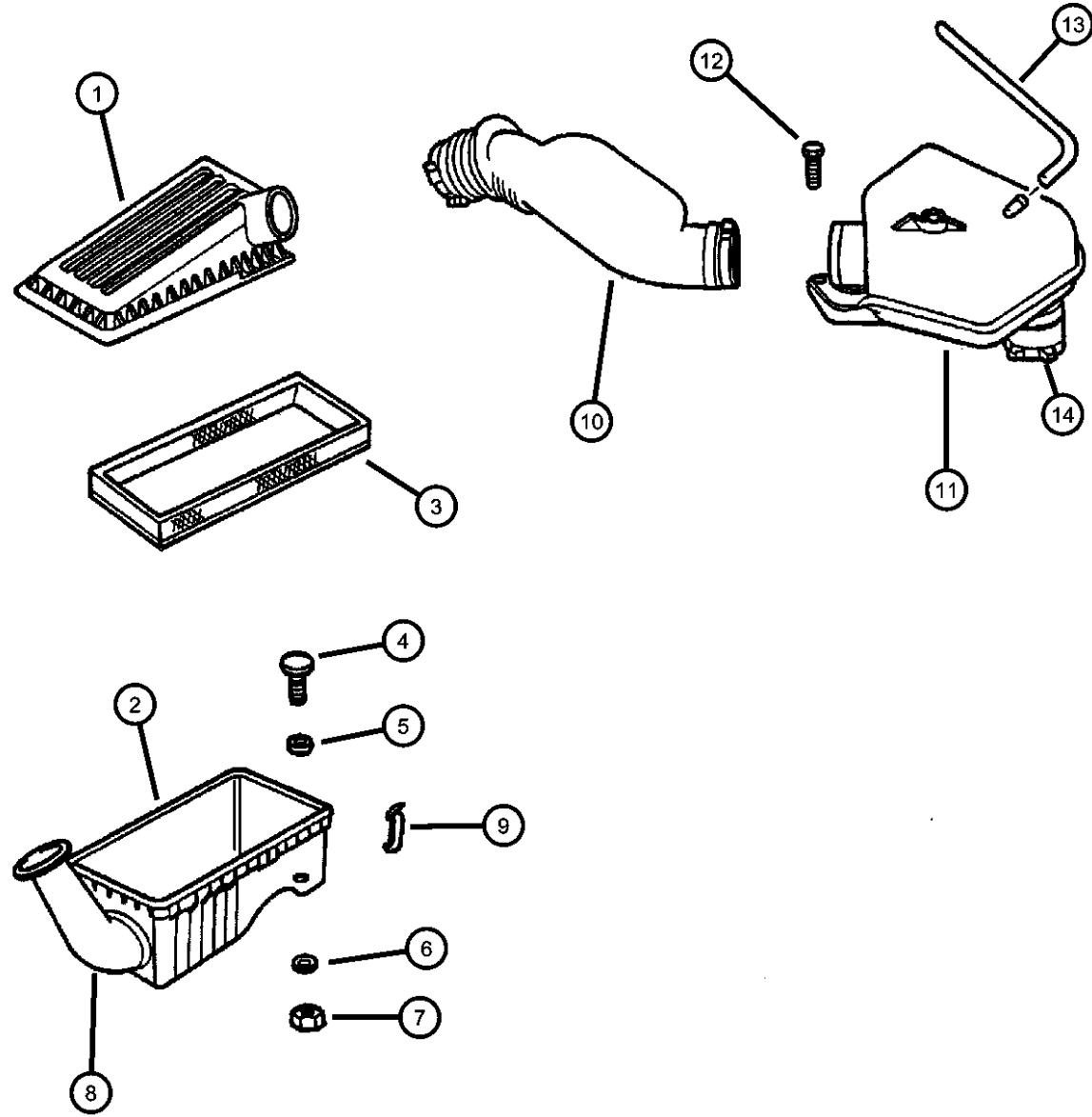
ENGINE
EPE = ENGINE - 2.5L POWER TECH I-4 Cyl.
ERH = ENGINE - 4.0L POWER TECH I-6

TRANSMISSION
DDD = TRANSMISSION - 5-SPEED HD MANUAL
DDQ = TRANSMISSION - 5-SPEED MANUAL
DGD = TRANSMISSION - 3-SPD. AUTOMATIC,30RH
DGG = TRANSMISSION - 3-SPD. AUTOMATIC,32RH
DG0 = All Automatic Transmissions
DBB = All Manual Transmissions
DD0 = All 5 Speed Manual Transmissions

AR = use ase required - = Non illustrated part

2000 TJ

Air Cleaner
Figure 14-810



ITEM	PART NUMBER	QTY	LINE	SERIES	BODY	ENGINE	TRANS	TRIM	DESCRIPTION
------	-------------	-----	------	--------	------	--------	-------	------	-------------

NOTE: EP0=All 2.5L Gas Engines ER0=All 4.0L Engines

1	04797775	1				EP0, ER0			COVER, Air Cleaner
2	04797776	1				EP0, ER0			BODY, Air Cleaner
3	04797777	1				EP0, ER0			FILTER, Air
4	04797779	3				EP0, ER0			STUD
5	04797778	3				EP0, ER0			GROMMET, Air Cleaner Bracket
6	04797781	3				EP0, ER0			WASHER
7	34201358	3				EP0, ER0			NUT AND WASHER, Hex Nut-Sealing Washer, M6 x 1.00
8	04797782	1				EP0, ER0			DUCT, Air Cleaner
9	04797836	5				EP0, ER0			CLIP, Air Inlet Grille
10									HOSE, Air Cleaner
	53030610	1				EP0			
	53030611	1				ER0			
11	53030759	1				EP0			RESONATOR, Air Cleaner
12	06504503	2				EP0			SCREW, Hex Flange Head
13									TUBE, Crankcase Vent Valve
	53030614	1				EP0			
	53030615	1				ER0			
14	53032086AA	1				EP0			CLAMP

WRANGLER (TJ)

SERIES

H = Sport
L = SE
P = Sahara

LINE

J = Wrangler 4WD
U = Wrangler 4WD (RHD)

BODY

77 = 93.4 WB

ENGINE

EPE = ENGINE - 2.5L POWER
TECH I-4 Cyl.
ERH = ENGINE - 4.0L
POWER TECH I-6

TRANSMISSION

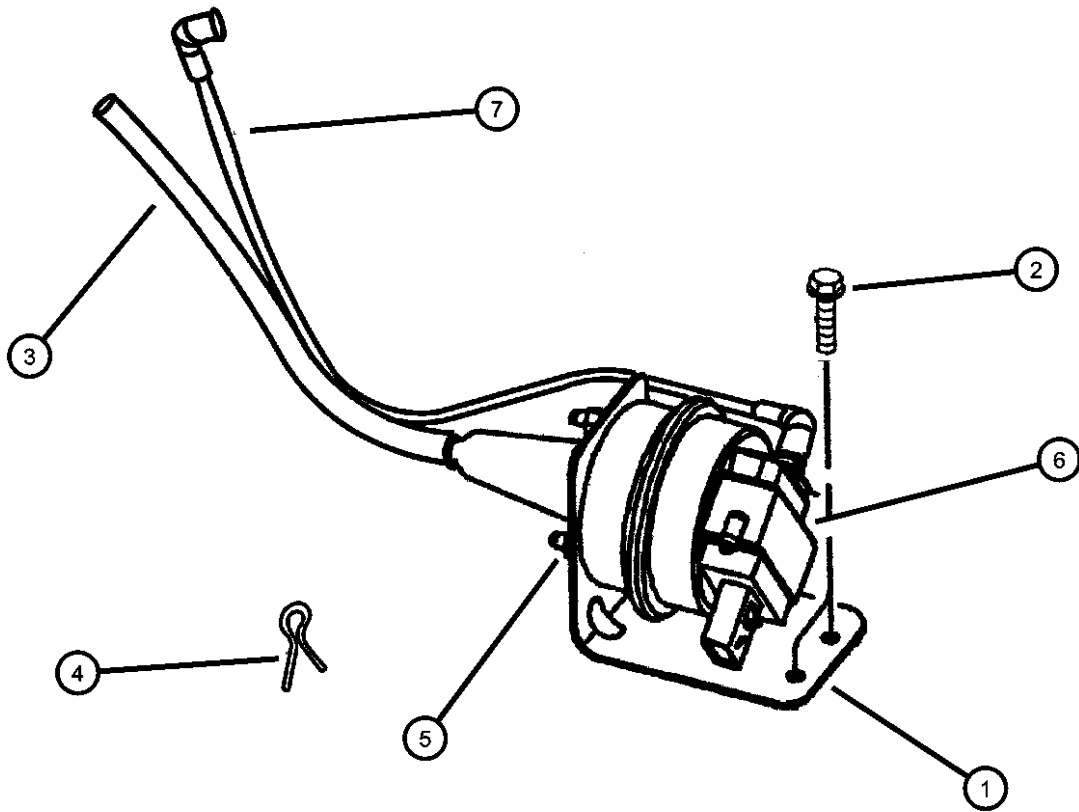
DDD = TRANSMISSION - 5-SPEED
HD MANUAL
DDQ = TRANSMISSION - 5-SPEED
MANUAL
DGD = TRANSMISSION - 3-SPD.
AUTOMATIC,30RH
DGG = TRANSMISSION - 3-SPD.
AUTOMATIC,32RH
DGO = All Automatic Transmissions
DBB = All Manual Transmissions
DD0 = All 5 Speed Manual
Transmissions

AR = use ase required - = Non illustrated part

2000 TJ

**Speed Control
Figure 14-1010**

ITEM	PART NUMBER	QTY	LINE	SERIES	BODY	ENGINE	TRANS	TRIM	DESCRIPTION
1									BRACKET, Speed Control Servo
	04854155	1	J						
	53013058AA	1	U						
2	53013058AA	1							SCREW, M6x1.00x20.00, (NOT SERVICED)
3									CABLE, Speed Control
	04854156	1	J						
	53013059AA	1	U						
4									CLIP, Cable to Servo Attach
	06025867	1	J						
		1	U						
5									NUT, Hex Flange Serration, M6x1
	06502493	2	J						
		2	U						
6									SERVO, Speed Control
	04669979	1	J						
		1	U						
7									HARNESS, Speed Control Vacuum
	53013010AA	1	J						
	53013063AA	1	U						



WRANGLER (TJ)

SERIES LINE
H = Sport J = Wrangler 4WD
L = SE U = Wrangler 4WD (RHD)
P = Sahara

BODY
77 = 93.4 WB

ENGINE
EPE = ENGINE - 2.5L POWER TECH I-4 Cyl.
ERH = ENGINE - 4.0L POWER TECH I-6

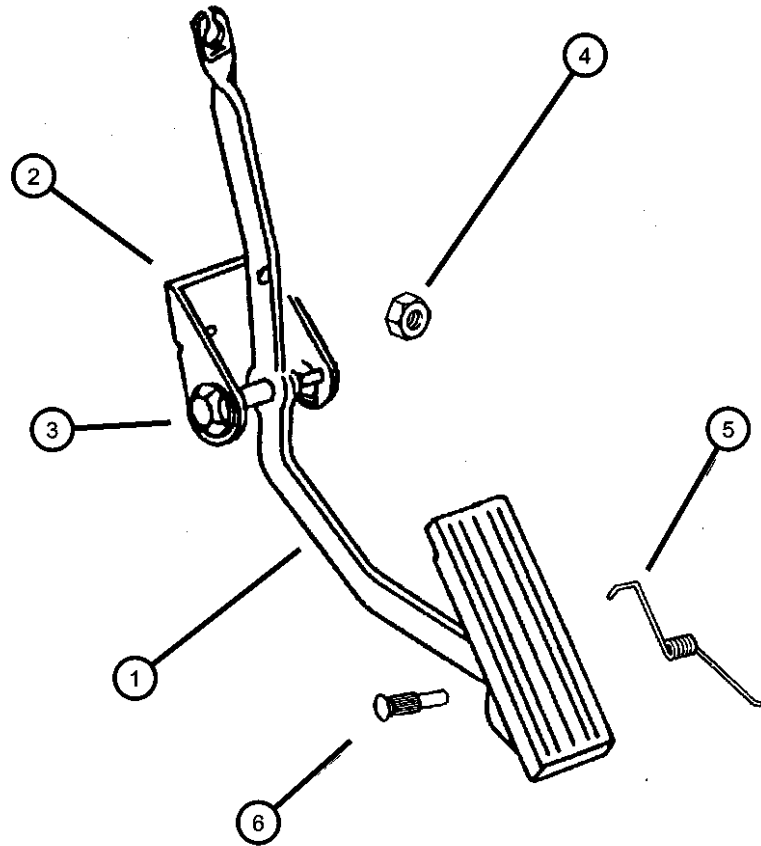
TRANSMISSION
DDD = TRANSMISSION - 5-SPEED HD MANUAL
DDQ = TRANSMISSION - 5-SPEED MANUAL
DGD = TRANSMISSION - 3-SPD. AUTOMATIC,30RH
DGG = TRANSMISSION - 3-SPD. AUTOMATIC,32RH
DG0 = All Automatic Transmissions
DBB = All Manual Transmissions
DD0 = All 5 Speed Manual Transmissions

AR = use ase required - = Non illustrated part

**Accelerator Pedal
Figure 14-1110**

ITEM	PART NUMBER	QTY	LINE	SERIES	BODY	ENGINE	TRANS	TRIM	DESCRIPTION
------	-------------	-----	------	--------	------	--------	-------	------	-------------

NOTE: EP0=All 2.5L Gas Engines ER0=All 4.0L Engines



1									PEDAL, Accelerator
	52078714	1	J			EP0, ER0			
	52078715	1	U			EP0, ER0			
2	52078715	1							BRACKET, Accelerator Cable, Serviced in Pedal Assembly, (NOT SERVICED)
3									BUSHING, Accelerator Pedal
	52078653	2	J			EP0, ER0			
		2	U			EP0, ER0			
4	34201680	2							NUT, Hex Flange, M6x1
5									SPRING, Torsion
	53030874	1	J			EP0, ER0			
		1	U			EP0, ER0			
6									PIN, Accelerator Pedal Mtg.
	52079019	1	J			EP0, ER0			
		1	U			EP0, ER0			

WRANGLER (TJ)

SERIES	LINE
H = Sport	J = Wrangler 4WD
L = SE	U = Wrangler 4WD (RHD)
P = Sahara	

BODY
77 = 93.4 WB

ENGINE
EPE = ENGINE - 2.5L POWER
TECH I-4 Cyl.
ERH = ENGINE - 4.0L
POWER TECH I-6

TRANSMISSION
DDD = TRANSMISSION - 5-SPEED
HD MANUAL
DDQ = TRANSMISSION - 5-SPEED
MANUAL
DGD = TRANSMISSION - 3-SPD.
AUTOMATIC,30RH
DGG = TRANSMISSION - 3-SPD.
AUTOMATIC,32RH
DG0 = All Automatic Transmissions
DBB = All Manual Transmissions
DD0 = All 5 Speed Manual
Transmissions

AR = use ase required - = Non illustrated part

2000 TJ

Group - 16

Propeller Shafts and U-Joints

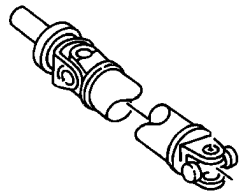
Group - 16 Propeller Shafts and U-Joints

Group-Fig. No.

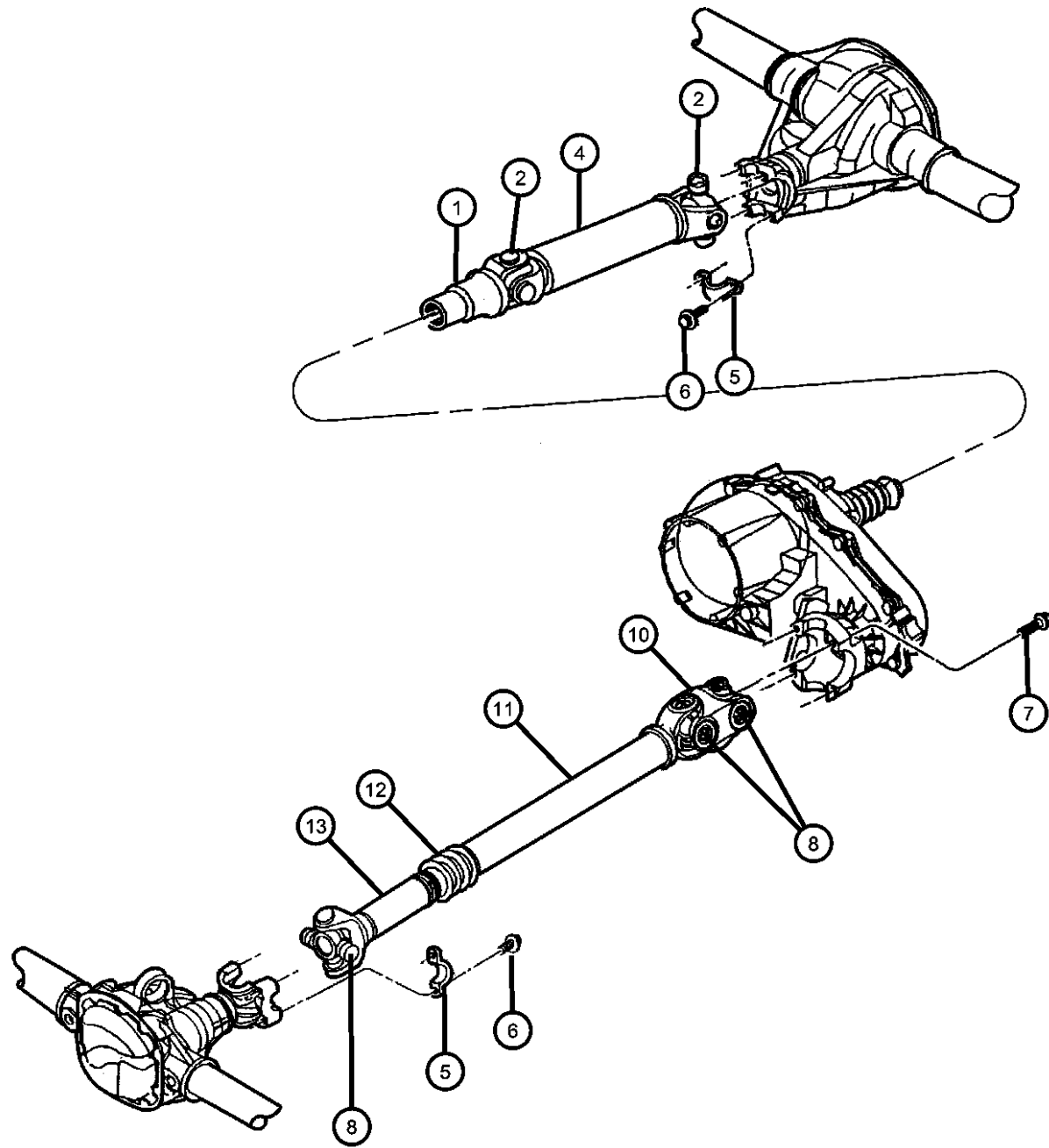
Illustration Title

Propeller Shaft

Propeller Shaft, Front and Rear..... Fig. 16 - 110

<p>016-100 Propeller Shaft</p> 			
--	--	--	--

Propeller Shaft, Front and Rear
Figure 16-110



ITEM	PART NUMBER	QTY	LINE	SERIES	BODY	ENGINE	TRANS	TRIM	DESCRIPTION
------	-------------	-----	------	--------	------	--------	-------	------	-------------

Note: Sales Codes;
 [DBB]=Transmissions - All Manual
 [DG0]=Transmissions - All Automatic
 [DRJ]=Axle - Rear,Dana M35/194MM
 [DRK]=Axle - Rear,Dana 44/226MM
 [EP0]=Engines - All 2.5L 4 Cylinder Gas
 [ER0]=Engines - All 4.0L 6 Cylinder Gas

1	04882714	1				EP0			YOKE, Drive Shaft [DRJ]
		1				ER0	DG0		[DRJ]
		1				ER0	DBB		[DRJ]
		1				ER0	DBB		[DRK]
		1				EP0			[DRK]
		1				ER0	DG0		[DRK]
2	04882793	2				EP0			U JOINT [DRJ]
		2				ER0	DG0		[DRJ]
		2				ER0	DBB		[DRJ]
		2				ER0	DBB		[DRK]
		2				EP0			[DRK]
		2				ER0	DG0		[DRK]
-3	J3207886	4				EP0			RING, U Joint [DRJ]
		4				ER0	DG0		[DRJ]
		4				ER0	DBB		[DRJ]
		4				ER0	DBB		[DRK]
		4				EP0			[DRK]
		4				ER0	DG0		[DRK]
4	52098783AC	1				EP0			SHAFT, Drive, Rear 1-Piece [DRJ]
		1				ER0	DG0		[DRJ]
	52098784AB	1				ER0	DBB		[DRJ]

WRANGLER (TJ)

SERIES LINE
 H = Sport J = Wrangler 4WD
 L = SE U = Wrangler 4WD (RHD)
 P = Sahara

BODY
 77 = 93.4 WB

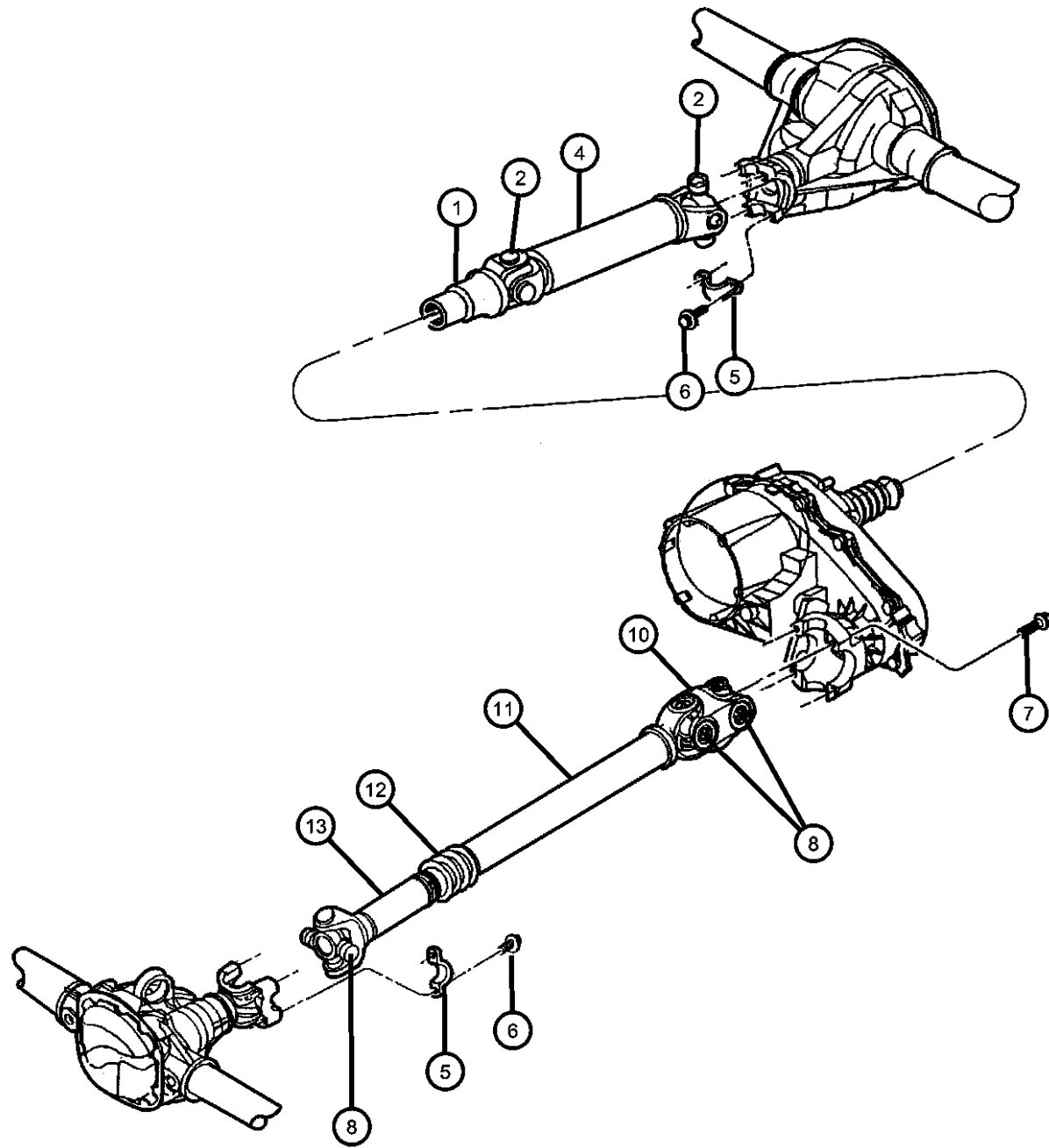
ENGINE
 EPE = ENGINE - 2.5L POWER
 TECH I-4 Cyl.
 ERH = ENGINE - 4.0L
 POWER TECH I-6

TRANSMISSION
 DDD = TRANSMISSION - 5-SPEED
 HD MANUAL
 DDQ = TRANSMISSION - 5-SPEED
 MANUAL
 DGD = TRANSMISSION - 3-SPD.
 AUTOMATIC,30RH
 DGG = TRANSMISSION - 3-SPD.
 AUTOMATIC,32RH
 DG0 = All Automatic Transmissions
 DBB = All Manual Transmissions
 DD0 = All 5 Speed Manual
 Transmissions

AR = use ase required - = Non illustrated part

2000 TJ

Propeller Shaft, Front and Rear
Figure 16-110



ITEM	PART NUMBER	QTY	LINE	SERIES	BODY	ENGINE	TRANS	TRIM	DESCRIPTION
	52098785AB	1				EP0			[DRK]
		1				ER0	DG0		[DRK]
	52098787AB	1				ER0	DBB		[DRK]
5	J3240553	2							STRAP, Prop Shaft
6	J4006928	4							BOLT
7	06034966	4							BOLT, .312-24x1.170
8									U JOINT
	04882793	3				ER0	DBB		
		3				EP0			
		3				ER0	DG0		
-9									RING, U Joint
	J3207886	4				ER0	DBB		
		4				EP0			
		4				ER0	DG0		
10									YOKE, Drive Shaft
	J8130296	1				ER0	DBB		
		1				EP0			
		1				ER0	DG0		
11									SHAFT, Drive
	52098377AB	1				ER0	DBB		Front
	52098378AB	1				EP0			Front
		1				ER0	DG0		Front
12									BOOT, Driveshaft
	05012793AA	1				ER0	DBB		
		1				EP0			
		1				ER0	DG0		
13									YOKE, Drive Shaft
	05016375AA	1				ER0	DBB		
		1				EP0			
		1				ER0	DG0		

WRANGLER (TJ)

SERIES

H = Sport
L = SE
P = Sahara

LINE

J = Wrangler 4WD
U = Wrangler 4WD (RHD)

BODY

77 = 93.4 WB

ENGINE

EPE = ENGINE - 2.5L POWER
TECH I-4 Cyl.
ERH = ENGINE - 4.0L
POWER TECH I-6

TRANSMISSION

DDD = TRANSMISSION - 5-SPEED
HD MANUAL
DDQ = TRANSMISSION - 5-SPEED
MANUAL
DGD = TRANSMISSION - 3-SPD.
AUTOMATIC,30RH
DGG = TRANSMISSION - 3-SPD.
AUTOMATIC,32RH
DG0 = All Automatic Transmissions
DBB = All Manual Transmissions
DD0 = All 5 Speed Manual
Transmissions

AR = use ase required - = Non illustrated part

2000 TJ

Group - 17

Rear Suspension

Group - 17 Rear Suspension

Group-Fig. No.

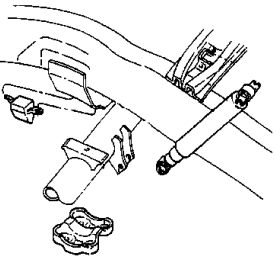
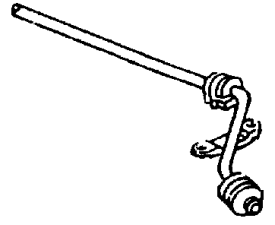
Illustration Title

Rear Suspension

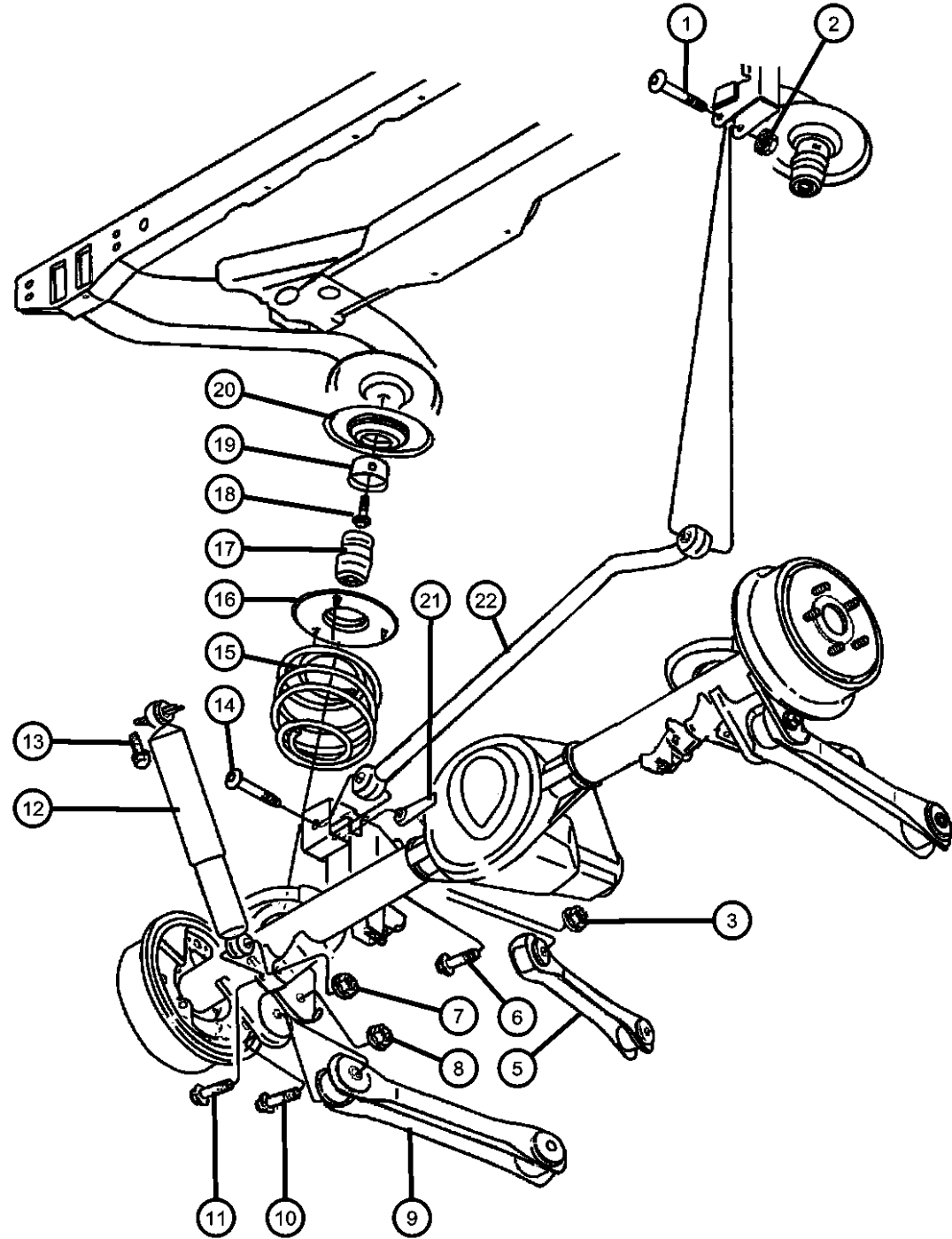
Suspension,Rear,With Shocks,Springs and Track Bar.....Fig. 17 - 110

Rear Stabilizer

Stabilizer, Rear.....Fig. 17 - 210

<p>017-100 Rear Suspension</p> 	<p>017-200 Rear Stabilizer</p> 		
--	---	--	--

Suspension,Rear,With Shocks,Springs and Track Bar
Figure 17-110



ITEM	PART NUMBER	QTY	LINE	SERIES	BODY	ENGINE	TRANS	TRIM	DESCRIPTION
1	06503982	1							SCREW, Hex Flange Head, M12x1.75x80, Track Bar to Frame, Mounting
2	06502697	1							NUT, Hex Flange Lock, M12x1.75, Track Bar to Frame, Mounting
3	06502696	2							NUT, Hex Flange Lock, M10x1.5, UCA to Axle, Mounting
4	06503648	2							NUT AND RETAINER, Hex Flange Lock, m8x1.25, UCA to Frame, Mounting
5	52088520	2							ARM, Control, Upper, Right or Left
6	06503085	4							BOLT, Hex Flange Head, M10x1.50x78.20, UCA to Frame or Axle, Mounting
7	06502697	2							NUT, Hex Flange Lock, M12x1.75, Shock Mounting, Lower
8	06502698	4							NUT, Hex Flange Lock, LCA to Frame or Axle, Mounting
9	52088654	2							ARM, Control, Lower, Right or Left
10	06502963	4							BOLT, Hex Flange Head, M14x2.0x105, LCA to Frame or Axle, Mounting
11	06502473	2							BOLT, Hex Flange Head, M12x1.75x65, Shock Mounting, Lower
12	52087835AB	2							SHOCK ABSORBER, Suspension, Rear [SDA]
	0SGR5240								Rancho Shock
	0SG23306								Mopar V-Line Alternative Part
	52088651AH	2							[SDU]
	0SGR5240								Rancho Shock
13	34202467	4							SCREW, Hex Head, M8x1.25x30, Shock Mounting, Upper
14	06505467AA	1							SCREW, Truss Head, M12x1.75x80, Track Bar to Axle, Mounting
15	52089102	1							SPRING, Rear Coil [ZAT,ZNT]

WRANGLER (TJ)

SERIES

H = Sport
L = SE
P = Sahara

LINE

J = Wrangler 4WD
U = Wrangler 4WD (RHD)

BODY

77 = 93.4 WB

ENGINE

EPE = ENGINE - 2.5L POWER TECH I-4 Cyl.
ERH = ENGINE - 4.0L POWER TECH I-6

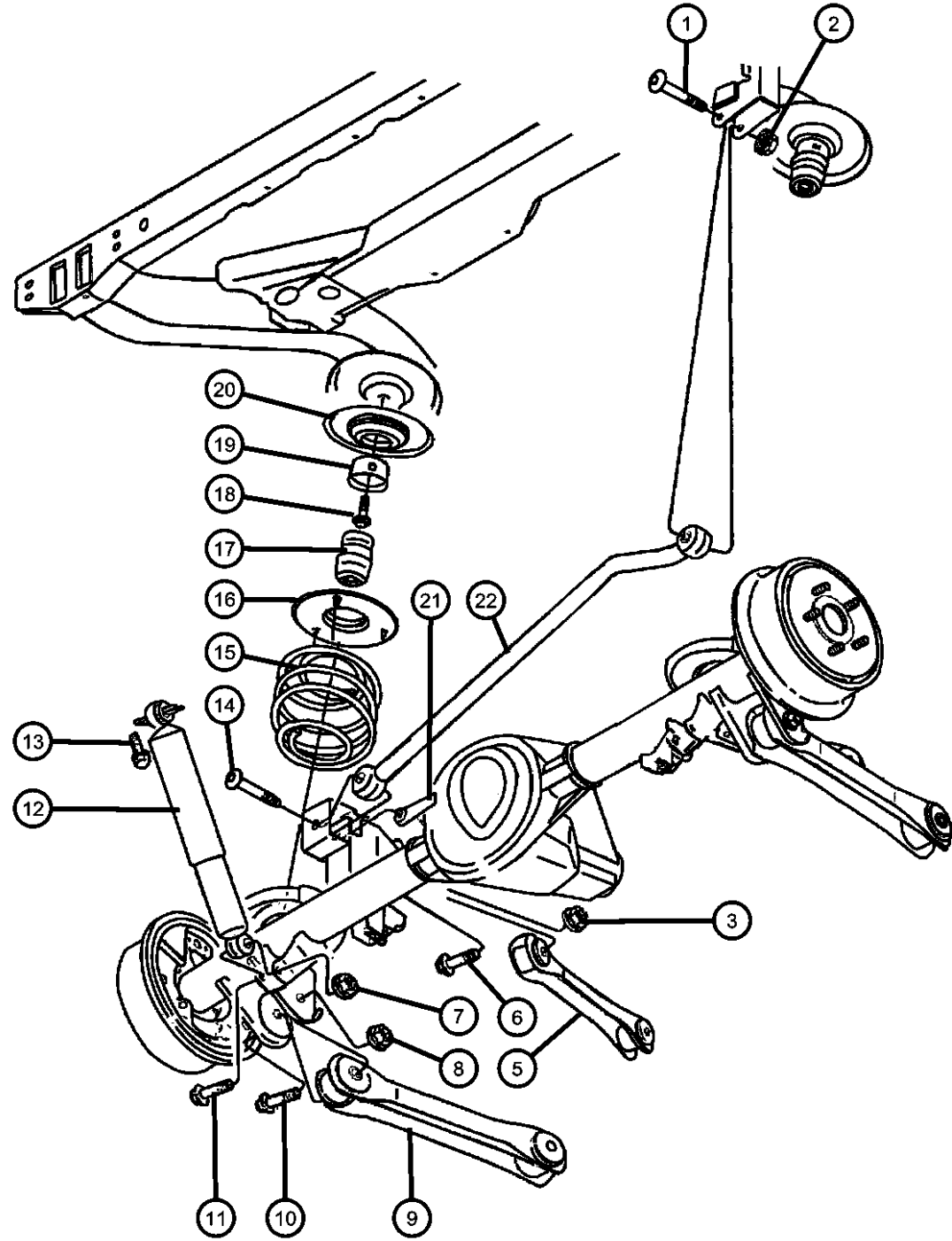
TRANSMISSION

DDD = TRANSMISSION - 5-SPEED HD MANUAL
DDQ = TRANSMISSION - 5-SPEED MANUAL
DGD = TRANSMISSION - 3-SPD. AUTOMATIC,30RH
DGG = TRANSMISSION - 3-SPD. AUTOMATIC,32RH
DG0 = All Automatic Transmissions
DBB = All Manual Transmissions
DD0 = All 5 Speed Manual Transmissions

AR = use ase required - = Non illustrated part

2000 TJ

Suspension,Rear,With Shocks,Springs and Track Bar
Figure 17-110



ITEM	PART NUMBER	QTY	LINE	SERIES	BODY	ENGINE	TRANS	TRIM	DESCRIPTION
	52089103	1							[ZAU,ZNU]
	52089104	1							[ZAV,ZNV]
	52090105AA	1							[ZAW,ZNW]
16	52087866	2							ISOLATOR, SpringLower
17	52087992	2							BUMPER, Jounce
18	06100402	2							BOLT, Hex Head, M10x35, Jounce Bumper Cup, Mounting
19	52087635	2							CUP, Jounce Bumper
20	52087832	2							ISOLATOR, SpringUpper
21									NUT, Hex Flange Lock, M12x1.75
	06502697	1			U				Track Bar to Axle, Mounting
	06503652	1			J				Track Bar to Axle, Mounting
22									BAR, Track
	52087878	1			J				
	52088175	1			U				

WRANGLER (TJ)

SERIES LINE
H = Sport J = Wrangler 4WD
L = SE U = Wrangler 4WD (RHD)
P = Sahara

BODY
77 = 93.4 WB

ENGINE
EPE = ENGINE - 2.5L POWER
TECH I-4 Cyl.
ERH = ENGINE - 4.0L
POWER TECH I-6

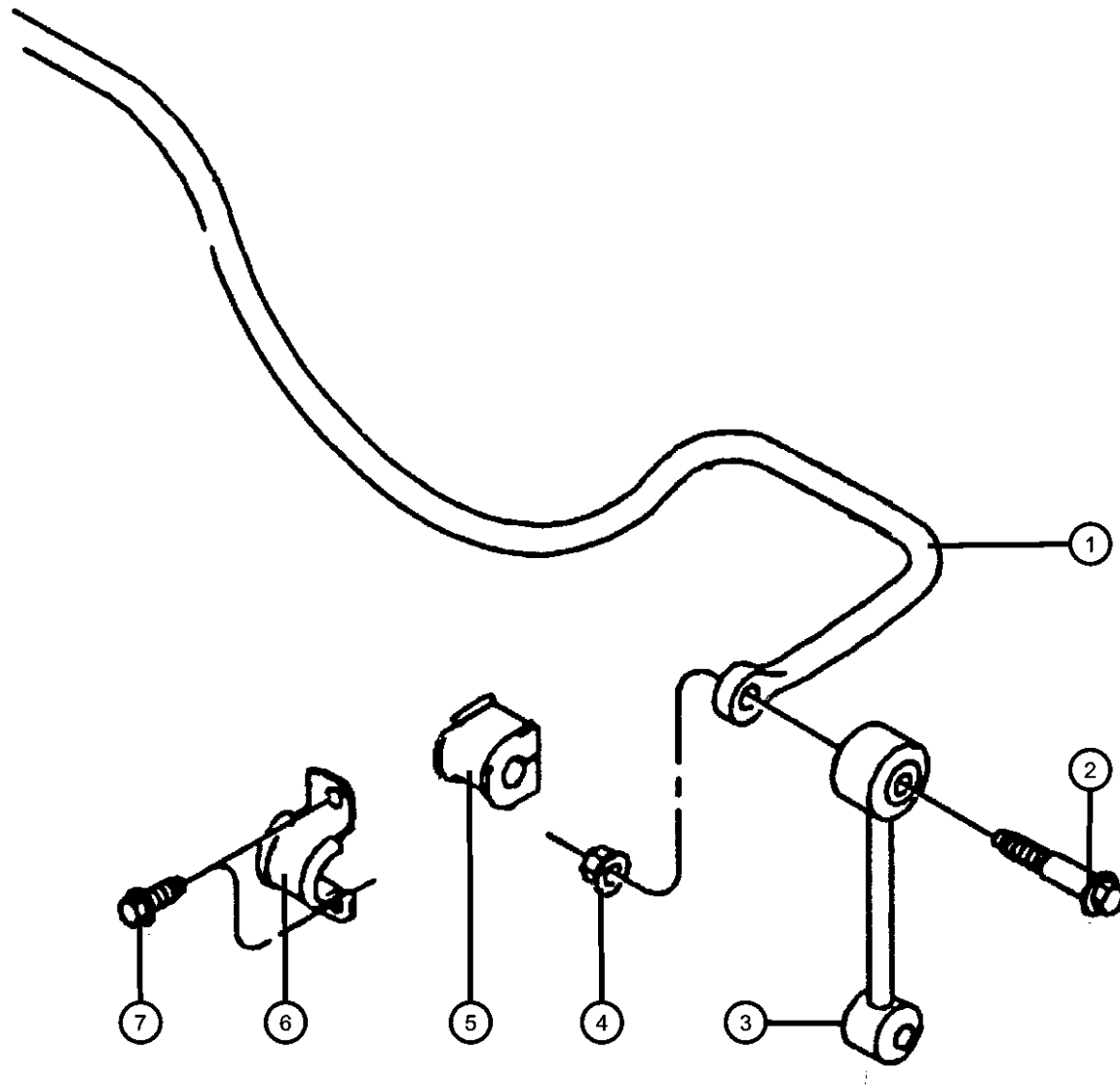
TRANSMISSION
DDD = TRANSMISSION - 5-SPEED
HD MANUAL
DDQ = TRANSMISSION - 5-SPEED
MANUAL
DGD = TRANSMISSION - 3-SPD.
AUTOMATIC,30RH
DGG = TRANSMISSION - 3-SPD.
AUTOMATIC,32RH
DG0 = All Automatic Transmissions
DBB = All Manual Transmissions
DD0 = All 5 Speed Manual
Transmissions

AR = use ase required - = Non illustrated part

2000 TJ

Stabilizer, Rear
Figure 17-210

ITEM	PART NUMBER	QTY	LINE	SERIES	BODY	ENGINE	TRANS	TRIM	DESCRIPTION
1	52088002	1							BAR, Rear Sway
2	06503726	2							SCREW, Shoulder
3	52088896AA	2							LINK, Sway Eliminator
4	06502696	2							NUT, Hex Flange Lock, M10x1.5
5	52088125	2							BUSHING, Sway Bar
6	52087865	2							RETAINER, Sway Bar
7	06503571	4							SCREW AND WASHER, M10x1.50x35



WRANGLER (TJ)

SERIES LINE
H = Sport J = Wrangler 4WD
L = SE U = Wrangler 4WD (RHD)
P = Sahara

BODY
77 = 93.4 WB

ENGINE
EPE = ENGINE - 2.5L POWER
TECH I-4 Cyl.
ERH = ENGINE - 4.0L
POWER TECH I-6

TRANSMISSION
DDD = TRANSMISSION - 5-SPEED
HD MANUAL
DDQ = TRANSMISSION - 5-SPEED
MANUAL
DGD = TRANSMISSION - 3-SPD.
AUTOMATIC,30RH
DGG = TRANSMISSION - 3-SPD.
AUTOMATIC,32RH
DG0 = All Automatic Transmissions
DBB = All Manual Transmissions
DD0 = All 5 Speed Manual
Transmissions

AR = use ase required - = Non illustrated part

2000 TJ

Group - 19

Steering

Group - 19 Steering

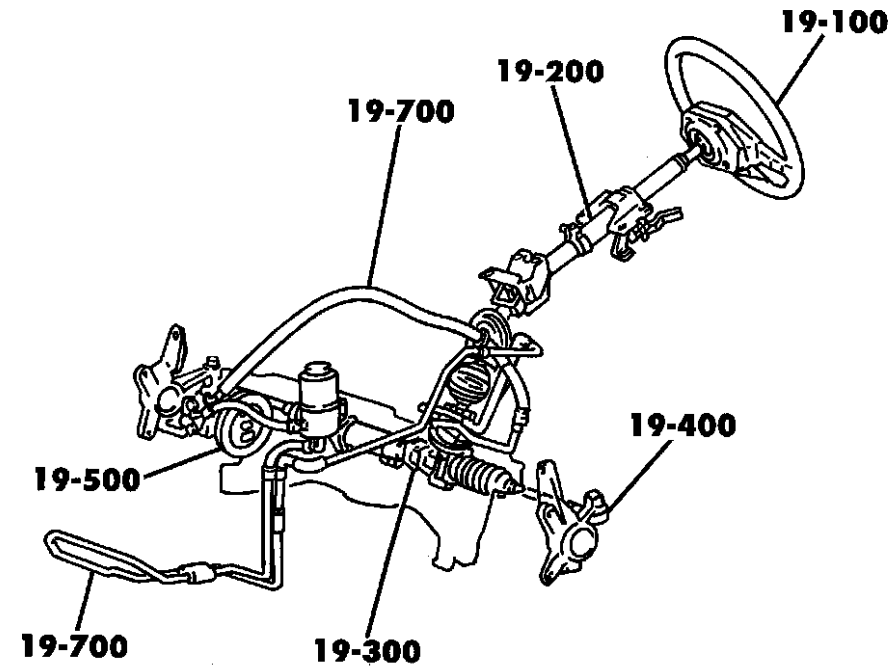


Illustration Title

Group-Fig. No.

Steering Wheel

Wheel, Steering Fig. 19 - 110

Steering Column

Column, Steering Upper and Lower Fig. 19 - 210

Steering Gear

Gear, Power Steering Fig. 19 - 320

Steering Linkage

Linkage and Damper Fig. 19 - 410

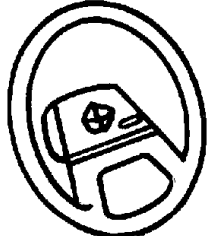
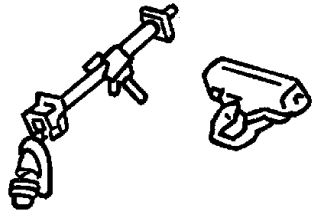
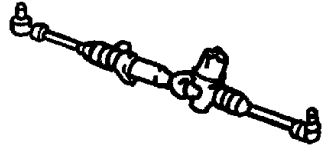
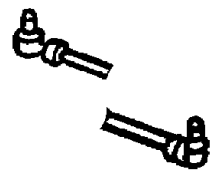
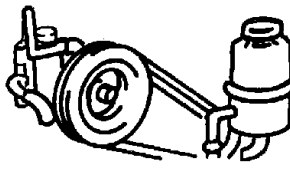
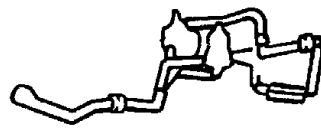
Power Steering Pump

Pump, Power Steering Fig. 19 - 510

Power Steering Hoses

Hoses and Reservoir, 2.5L Engine Fig. 19 - 710

Hoses and Reservoir, 4.0L Engine Fig. 19 - 720

<p>019-100 Steering Wheel</p> 	<p>019-200 Steering Column</p> 	<p>019-300 Steering Gear</p> 	<p>019-400 Steering Linkage</p> 
<p>019-500 Power Steering Pump</p> 	<p>019-700 Power Steering Hoses</p> 		

Wheel, Steering
Figure 19-110

ITEM	PART NUMBER	QTY	LINE	SERIES	BODY	ENGINE	TRANS	TRIM	DESCRIPTION
------	-------------	-----	------	--------	------	--------	-------	------	-------------

Note: If Horn Switch is defective, you must replace the AIR BAG COVER WITH SWITCH and not the AIR BAG MODULE ASSEMBLY itself.

Note: Sales Codes:

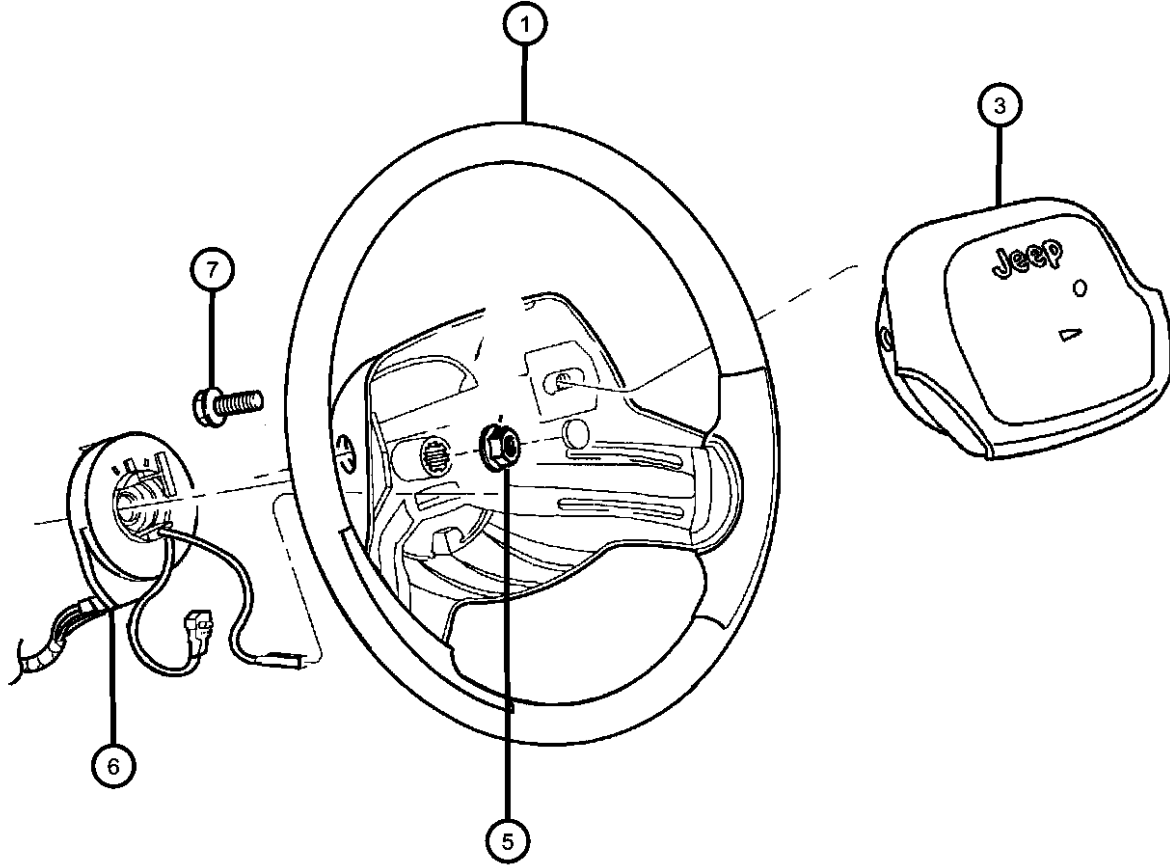
[DBB]=Transmissions - All Manual

[DG0]=Transmissions - All Automatic

[NHM]= Speed Control

[SCE]=Steering Wheel-2-Spoke Soft Feel

[SCG]=Steering Wheel-Leather Wrapped



1									WHEEL, Steering
	5DY22LAZAC	1							[SCG+NHM]
	5GK431AZAA	1							[SCE]
	5GL441AZAA	1							[SCG-NHM]
-2									SWITCH, Speed Control
	56007530AD	1							Right
	56007531AD	1							Left
3	5GC51LAZAB	1							AIR BAG, Driver
-4	04798182	1							COVER, Air Bag Module, Includes Horn Switch
5									NUT, Hex Flange Lock
	06505248AA	1					DG0		Steering Wheel Attaching
		1					DBB		Steering Wheel Attaching
6									CLOCKSPRING
	56047103AC	1							-NHM
	56047105AC	1							+NHM
7	06503262	2							SCREW, Hex Flange Head, M6x1.00x20.00, Air Bag Attaching
-8									BEZEL, Steering Wheel
	5GK16DX9AA	1							[-NHM] Blank Cover for Speed Switch, Right
	5GK17DX9AA	1							[-NHM] Blank Cover for Speed Switch, Left
-9	04798182	1							COVER, Air Bag Module

WRANGLER (TJ)

SERIES

H = Sport

L = SE

P = Sahara

LINE

J = Wrangler 4WD

U = Wrangler 4WD (RHD)

BODY

77 = 93.4 WB

ENGINE

EPE = ENGINE - 2.5L POWER TECH I-4 Cyl.

ERH = ENGINE - 4.0L POWER TECH I-6

TRANSMISSION

DDD = TRANSMISSION - 5-SPEED HD MANUAL

DDQ = TRANSMISSION - 5-SPEED MANUAL

DGD = TRANSMISSION - 3-SPD. AUTOMATIC, 30RH

DGG = TRANSMISSION - 3-SPD. AUTOMATIC, 32RH

DG0 = All Automatic Transmissions

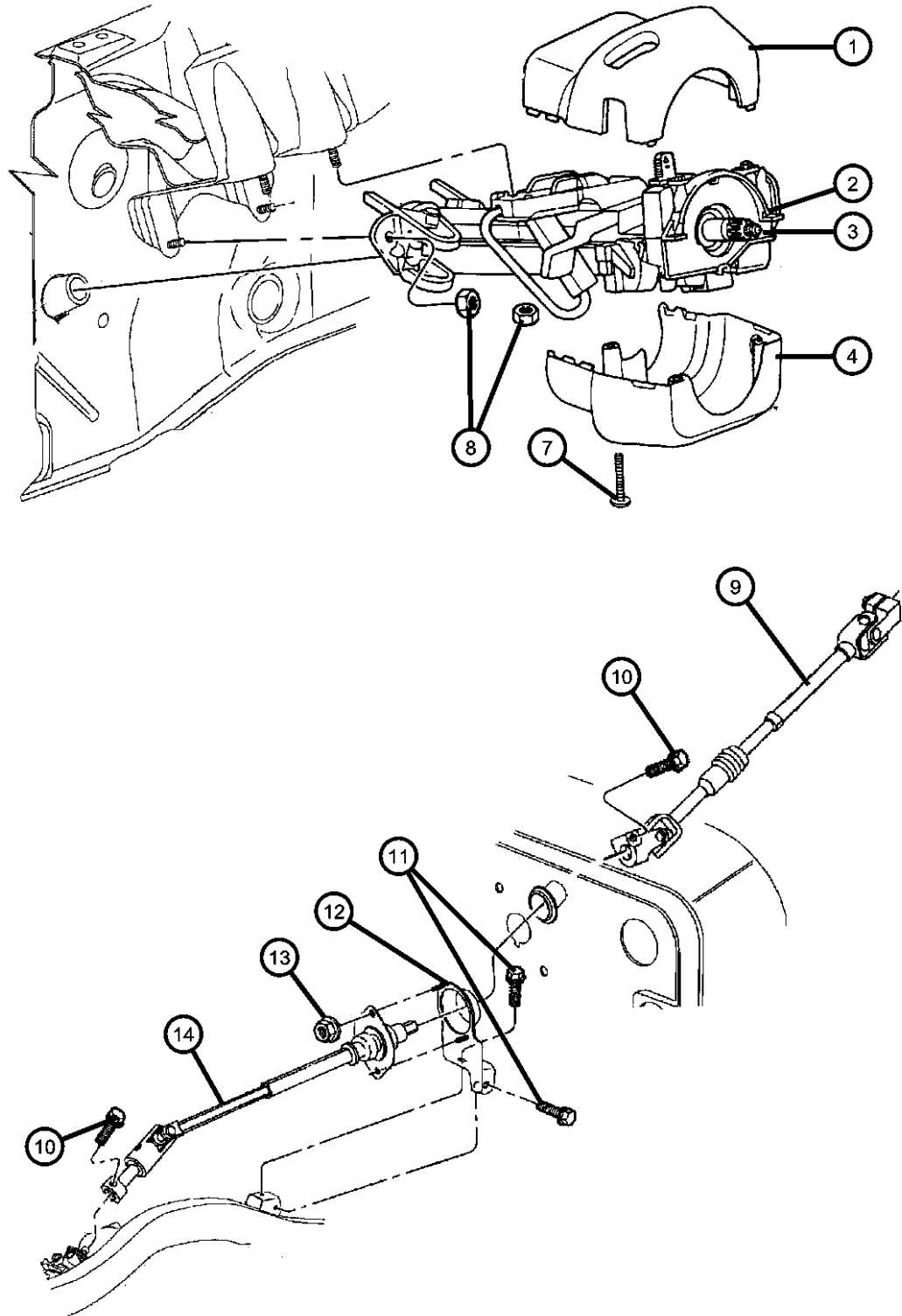
DBB = All Manual Transmissions

DD0 = All 5 Speed Manual Transmissions

AR = use ase required - = Non illustrated part

2000 TJ

Column, Steering Upper and Lower
Figure 19-210



ITEM	PART NUMBER	QTY	LINE	SERIES	BODY	ENGINE	TRANS	TRIM	DESCRIPTION
------	-------------	-----	------	--------	------	--------	-------	------	-------------

Note: Sales Codes;
 [ABB]=European Equipment Group
 [DBB]=Transmissions - All Manual
 [DG0]=Transmissions - All Automatic
 [EP0]=Engines - All 2.5L 4 Cylinder Gas
 [ER0]=Engines - All 4.0L 6 Cylinder Gas
 [SUA]=Steering Column - Tilt

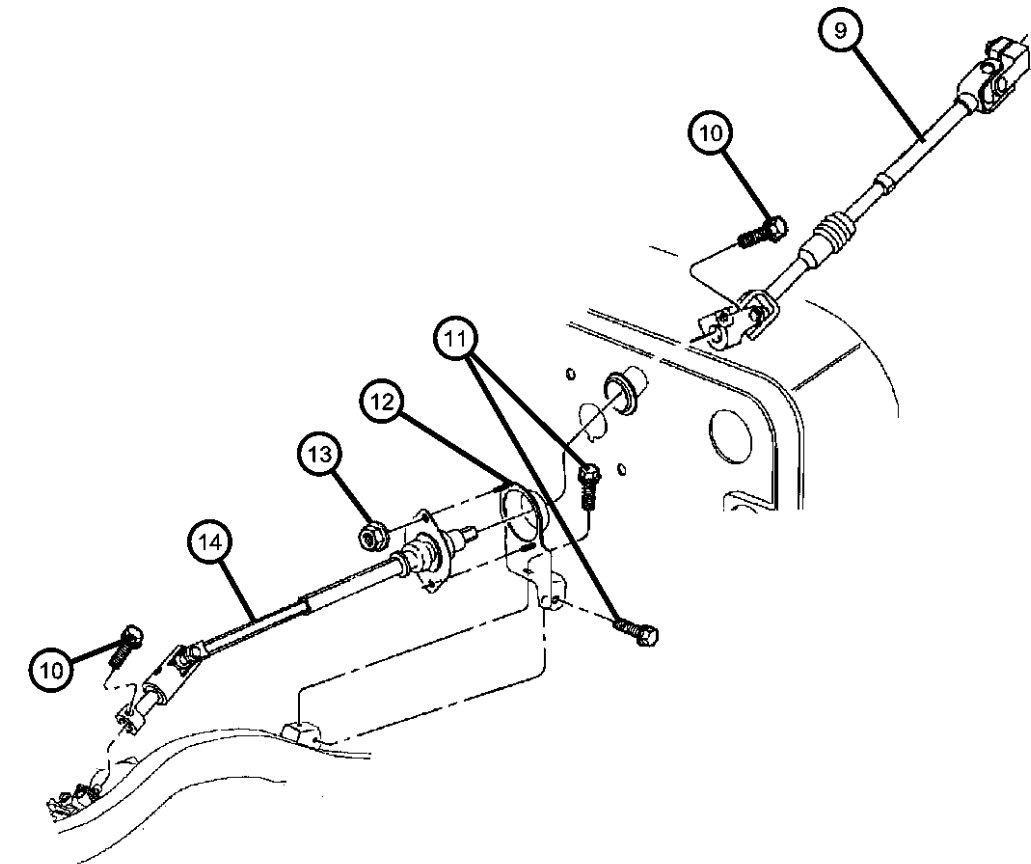
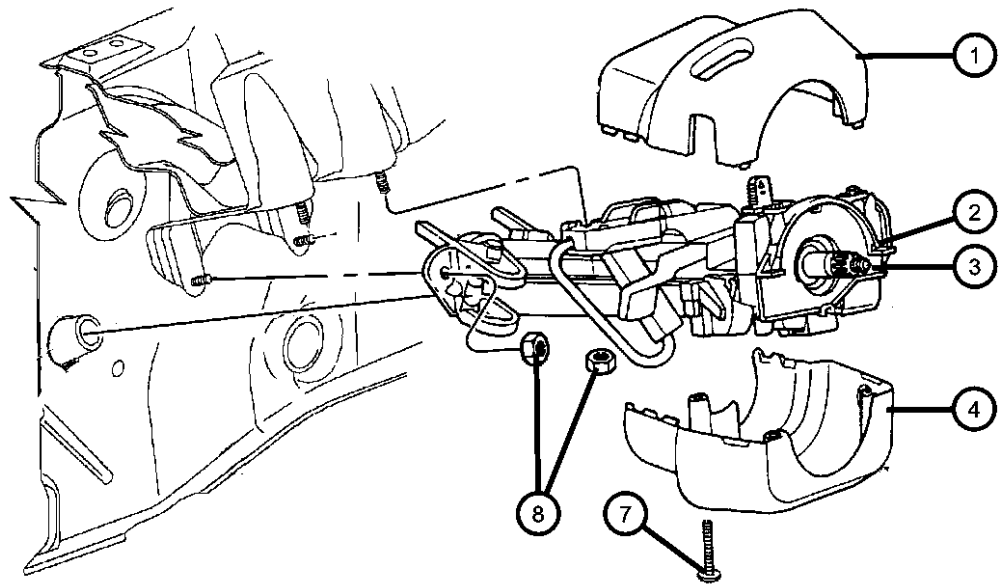
1	5FV71LAZAC	1					DBB		SHROUD, Steering Column [SUA], Upper
		1					DG0		[SUA], Upper
	5FV74LAZAC	1					DBB		without [SUA], Upper
		1					DG0		without [SUA], Upper
2	04897814AC	1					DG0		COLUMN, Steering, Tilt without [ABB]
	04897815AC	1					DG0		[ABB]
	04897816AC	1					DBB		without [ABB]
	04897817AC	1					DBB		[ABB]
3	04897818AB	1					DG0		COLUMN, steering, non tilt without [ABB]
	04897820AB	1					DBB		without [ABB]
4	5FV70LAZAC	1					DG0		SHROUD, Steering Column Lower
	5FV76LAZAC	1					DBB		Lower
-5	55314965AB	1							TRIM RING, Ignition Key Cylinder, Without Halo Light
-6	52079332	1					DG0		SHIELD, Steering Column For Tilt Lever
		1					DBB		For Tilt Lever
7	06035434	3							SCREW AND WASHER, Pan Head, Upper to Lower Shroud, Mounting
8	06501279	2							NUT, Hex Flange Lock, M8x1.25, Upper Mounting Stud, Mounting
9	52080012AF	1							SHAFT, IntermediateUpper

WRANGLER (TJ)

SERIES	LINE	BODY	ENGINE	TRANSMISSION
H = Sport	J = Wrangler 4WD	77 = 93.4 WB	EPE = ENGINE - 2.5L POWER TECH I-4 Cyl.	DDD = TRANSMISSION - 5-SPEED HD MANUAL
L = SE	U = Wrangler 4WD (RHD)		ERH = ENGINE - 4.0L POWER TECH I-6	DDQ = TRANSMISSION - 5-SPEED MANUAL
P = Sahara				DGD = TRANSMISSION - 3-SPD. AUTOMATIC,30RH
				DGG = TRANSMISSION - 3-SPD. AUTOMATIC,32RH
				DG0 = All Automatic Transmissions
				DBB = All Manual Transmissions
				DD0 = All 5 Speed Manual Transmissions

AR = use ase required - = Non illustrated part

Column, Steering Upper and Lower
Figure 19-210



ITEM	PART NUMBER	QTY	LINE	SERIES	BODY	ENGINE	TRANS	TRIM	DESCRIPTION
10	06503210	3							SCREW, Hex Flange Head, M10x1.5x35., To Steering Gear and Column, Mounting
11	06504153	2							SCREW AND WASHER, Hex Head, M10x1.5x35, Intermediate Shaft to Frame, Mounting
12	52058841	1	J			ER0			BRACKET, Intermediate Shaft Mounting
	52058854	1	U			ER0			Mounting
	52058855	1	J			EP0			Mounting
	52058856AB	1	U			EP0			Mounting
13	06100516	3							NUT, Hex Flange Lock, M6 Phosphate, Intermediate Shaft Bracket, Mounting
14	52078705AD	1							SHAFT, IntermediateLower

WRANGLER (TJ)

SERIES

H = Sport
L = SE
P = Sahara

LINE

J = Wrangler 4WD
U = Wrangler 4WD (RHD)

BODY

77 = 93.4 WB

ENGINE

EPE = ENGINE - 2.5L POWER TECH I-4 Cyl.
ERH = ENGINE - 4.0L POWER TECH I-6

TRANSMISSION

DDD = TRANSMISSION - 5-SPEED HD MANUAL
DDQ = TRANSMISSION - 5-SPEED MANUAL
DGD = TRANSMISSION - 3-SPD. AUTOMATIC,30RH
DGG = TRANSMISSION - 3-SPD. AUTOMATIC,32RH
DG0 = All Automatic Transmissions
DBB = All Manual Transmissions
DD0 = All 5 Speed Manual Transmissions

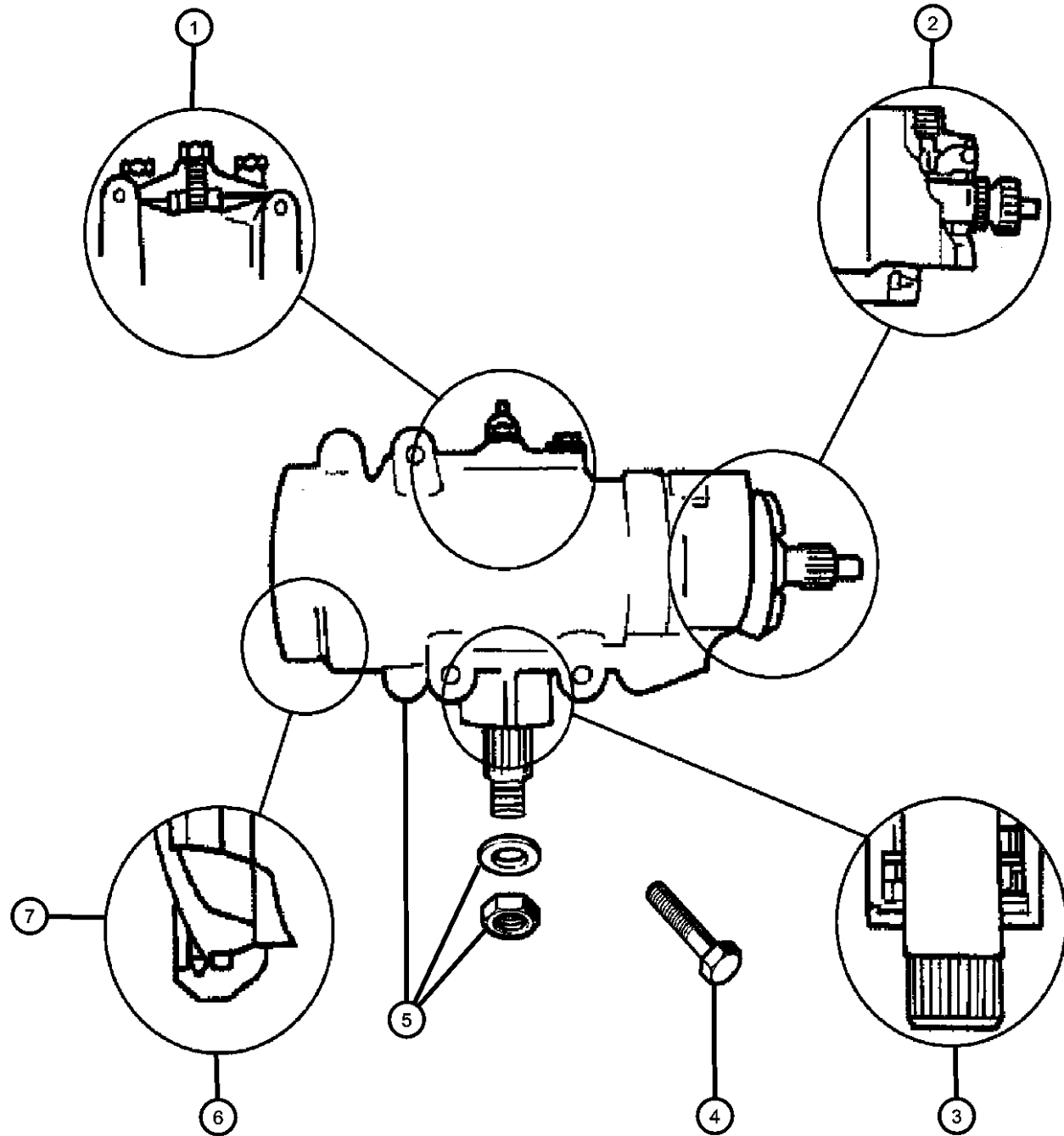
AR = use ase required - = Non illustrated part

2000 TJ

**Gear, Power Steering
Figure 19-320**

ITEM	PART NUMBER	QTY	LINE	SERIES	BODY	ENGINE	TRANS	TRIM	DESCRIPTION
------	-------------	-----	------	--------	------	--------	-------	------	-------------

Note: J=4 Wheel Drive Left Hand Drive—U=4 Wheel Drive Right Hand Drive



1	03893558	1	J						SEAL, Steering Gear Cover
		1	U						
2	04897000AA	1	J						REPAIR KIT, Thrust Bearing, Steering Gear
		1	U						
3	04470365	1	J						SEAL KIT, Steering gear pitman shaft
		1	U						
4	06036087AA	3							SCREW AND WASHER, Gear Mounting
5	52089046AC	1	J						GEAR, Power Steering
	52089079AC	1	U						
6	03893557	1	J						SEAL KIT, Steering gear end plug
		1	U						
7	04886349AA	1	U						SEAL KIT, Steering gear adjuster plug

WRANGLER (TJ)

SERIES	LINE
H = Sport	J = Wrangler 4WD
L = SE	U = Wrangler 4WD (RHD)
P = Sahara	

BODY
77 = 93.4 WB

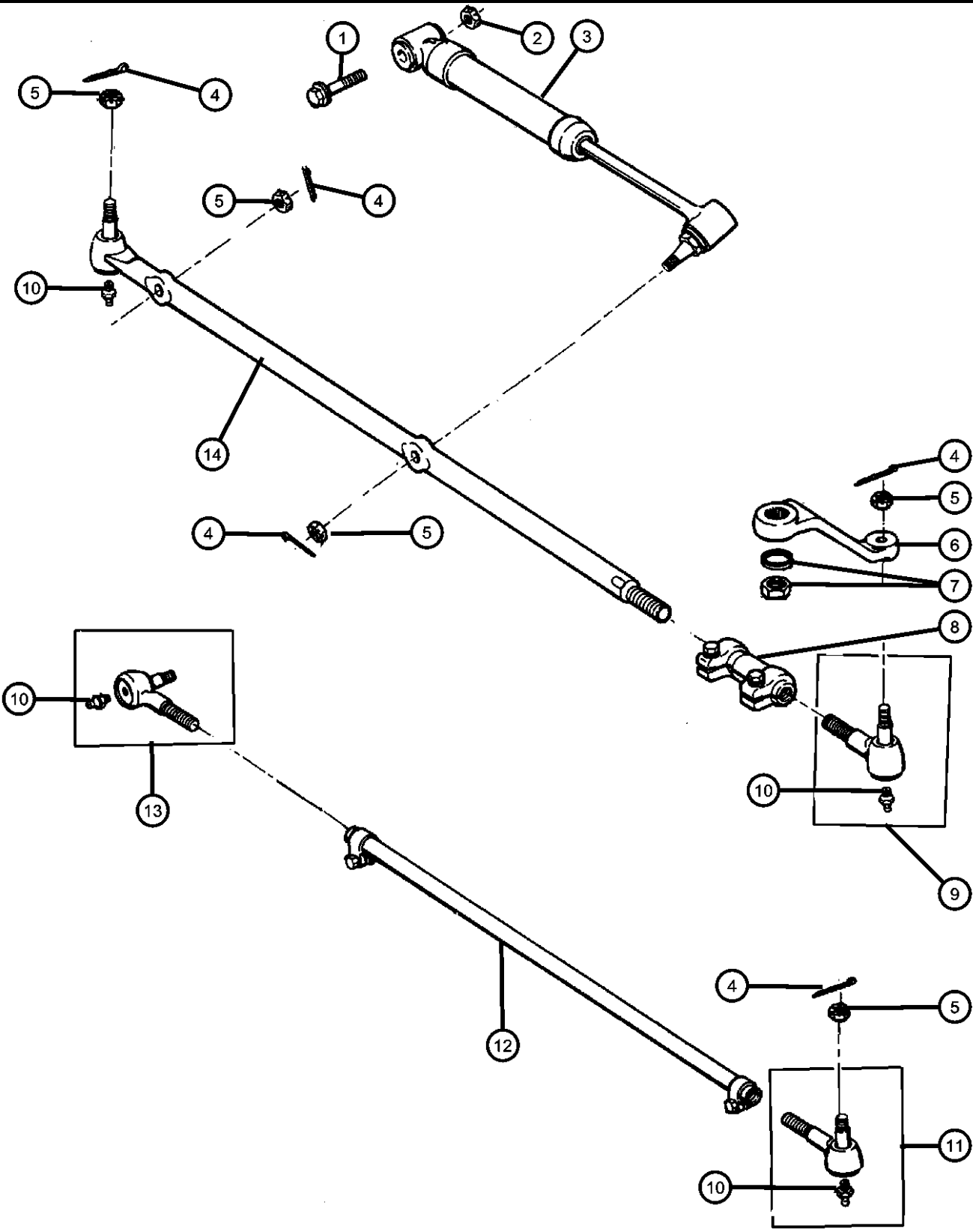
ENGINE
EPE = ENGINE - 2.5L POWER TECH I-4 Cyl.
ERH = ENGINE - 4.0L POWER TECH I-6

TRANSMISSION
DDD = TRANSMISSION - 5-SPEED HD MANUAL
DDQ = TRANSMISSION - 5-SPEED MANUAL
DGD = TRANSMISSION - 3-SPD. AUTOMATIC,30RH
DGG = TRANSMISSION - 3-SPD. AUTOMATIC,32RH
DG0 = All Automatic Transmissions
DBB = All Manual Transmissions
DD0 = All 5 Speed Manual Transmissions

AR = use ase required - = Non illustrated part

2000 TJ

**Linkage and Damper
Figure 19-410**



ITEM	PART NUMBER	QTY	LINE	SERIES	BODY	ENGINE	TRANS	TRIM	DESCRIPTION
------	-------------	-----	------	--------	------	--------	-------	------	-------------

Note: J=4 Wheel Drive Left Hand Drive—U=4 Wheel Drive Right Hand Drive

1	06502473	1							BOLT, Hex Flange Head, M12x1.75x65, Steering Damper to Axle Bracket
2	06502697	1							NUT, Hex Flange Lock, M12x1.75, Steering Damper to Axle Bracket
3									DAMPER, Steering Linkage
	52087827AB	1	J						
	52087956AB	1	U						
4									PIN, Cotter
	J4006723	1	J						
		1	U						
5									NUT, Hex, .50-20
	06034358	1							Damper Stud to Drag Link
		1							Drag Link to Pitman Arm
		1							Tie Rod to Drag Link
		1							Tie Rod to Knuckle
		1							Drag Link to Knuckle
6									ARM, Pitman
	52038337	1	J						
	52038338	1	U						
7	52038338	1							NUT AND WASHER, Must Purchase Gear Box Assembly, (NOT SERVICED)
8									TUBE, Tie Rod
	52005742	1	U						Drag Link Adjuster
	52037536	1	J						Drag Link Adjuster
9									SOCKET
	52005739	1	J						Drag Link, Inner
		1	U						Drag Link, Inner
10									FITTING PACKAGE, Grease
	83507064	1	U						
		1	J						

WRANGLER (TJ)

SERIES	LINE
H = Sport	J = Wrangler 4WD
L = SE	U = Wrangler 4WD (RHD)
P = Sahara	

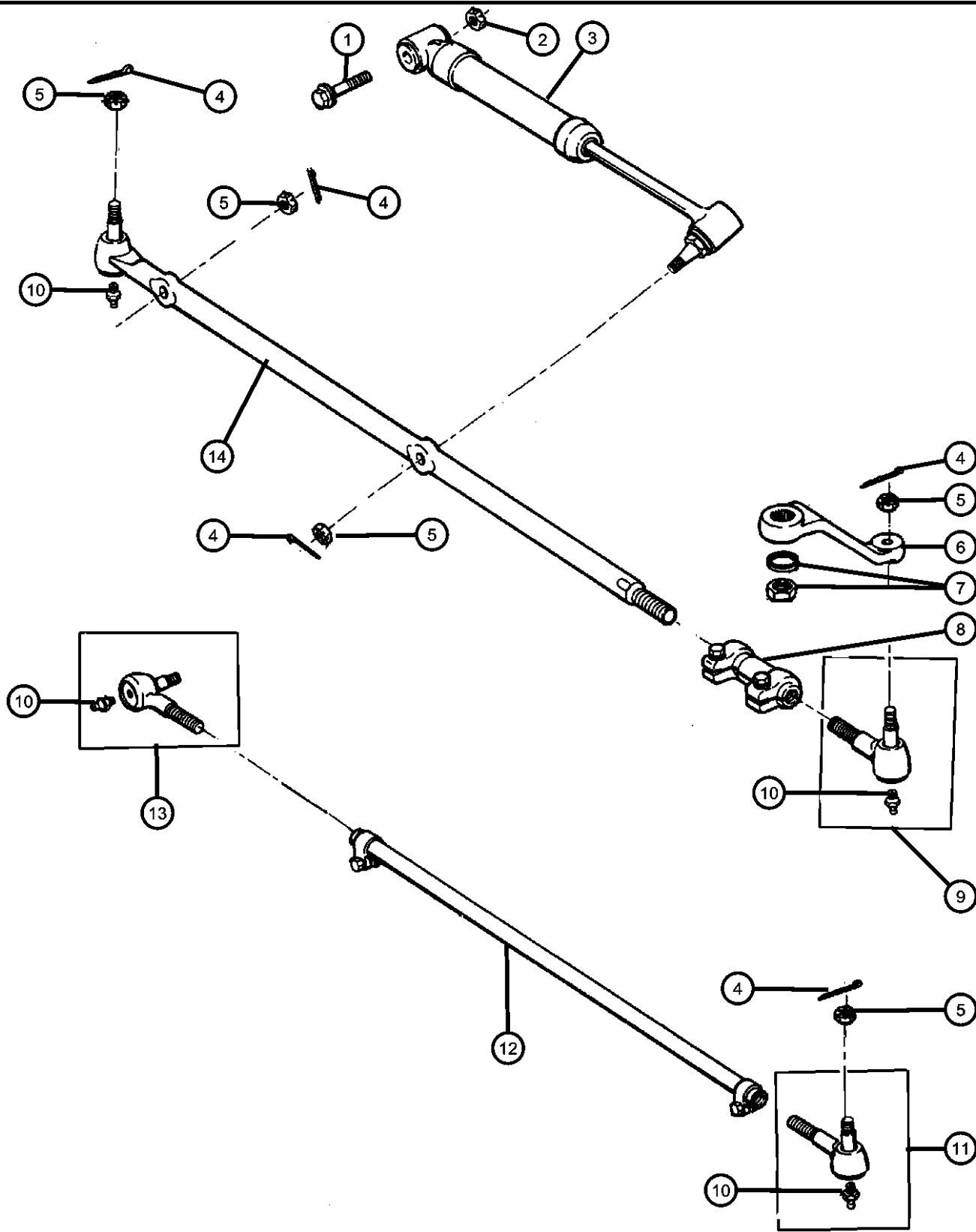
BODY
77 = 93.4 WB

ENGINE
EPE = ENGINE - 2.5L POWER TECH I-4 Cyl.
ERH = ENGINE - 4.0L POWER TECH I-6

TRANSMISSION
DDD = TRANSMISSION - 5-SPEED HD MANUAL
DDQ = TRANSMISSION - 5-SPEED MANUAL
DGD = TRANSMISSION - 3-SPD. AUTOMATIC, 30RH
DGG = TRANSMISSION - 3-SPD. AUTOMATIC, 32RH
DGO = All Automatic Transmissions
DBB = All Manual Transmissions
DDO = All 5 Speed Manual Transmissions

AR = use ase required - = Non illustrated part

Linkage and Damper
Figure 19-410



ITEM	PART NUMBER	QTY	LINE	SERIES	BODY	ENGINE	TRANS	TRIM	DESCRIPTION
11									SOCKET, Tie Rod, Outer
	52005741	1	U						
		1	J						
12									TUBE, Tie Rod
	52005743	1	U						
	52087674	1	J						
13									SOCKET, Tie Rod, Inner
	52005740	1	U						
		1	J						
14									SOCKET, Drag Link, Outer
	52006582	1	U						
	52087887	1	J						

WRANGLER (TJ)

SERIES LINE
H = Sport J = Wrangler 4WD
L = SE U = Wrangler 4WD (RHD)
P = Sahara

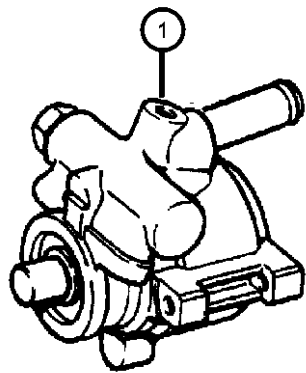
BODY
77 = 93.4 WB

ENGINE
EPE = ENGINE - 2.5L POWER
TECH I-4 Cyl.
ERH = ENGINE - 4.0L
POWER TECH I-6

TRANSMISSION
DDD = TRANSMISSION - 5-SPEED
HD MANUAL
DDQ = TRANSMISSION - 5-SPEED
MANUAL
DGD = TRANSMISSION - 3-SPD.
AUTOMATIC,30RH
DGG = TRANSMISSION - 3-SPD.
AUTOMATIC,32RH
DG0 = All Automatic Transmissions
DBB = All Manual Transmissions
DD0 = All 5 Speed Manual
Transmissions

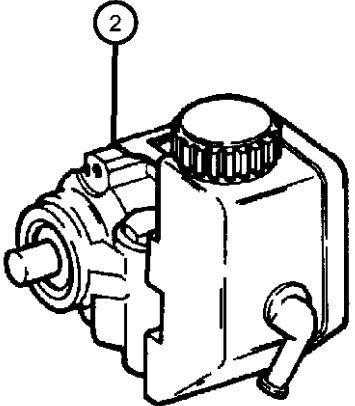
AR = use ase required - = Non illustrated part

**Pump,Power Steering
Figure 19-510**



W/2.5L

ITEM	PART NUMBER	QTY	LINE	SERIES	BODY	ENGINE	TRANS	TRIM	DESCRIPTION
Note:Sales Codes defined below: EPO=Engines - All 2.5L 4 Cylinder Gas Engines ER0=Engines - All 4.0L 6 Cylinder Gas Engines									
1	52088018	1				EPO			PUMP, Power Steering, without Reservoir
	R2088018								Mopar Remanufactured Part
	U2088018								Core Part
2	52087871AD	1				ER0			PUMP, Power Steering, with Reservoir
	R2087871AD								Mopar Remanufactured Part
	U2087871AD								Core Part

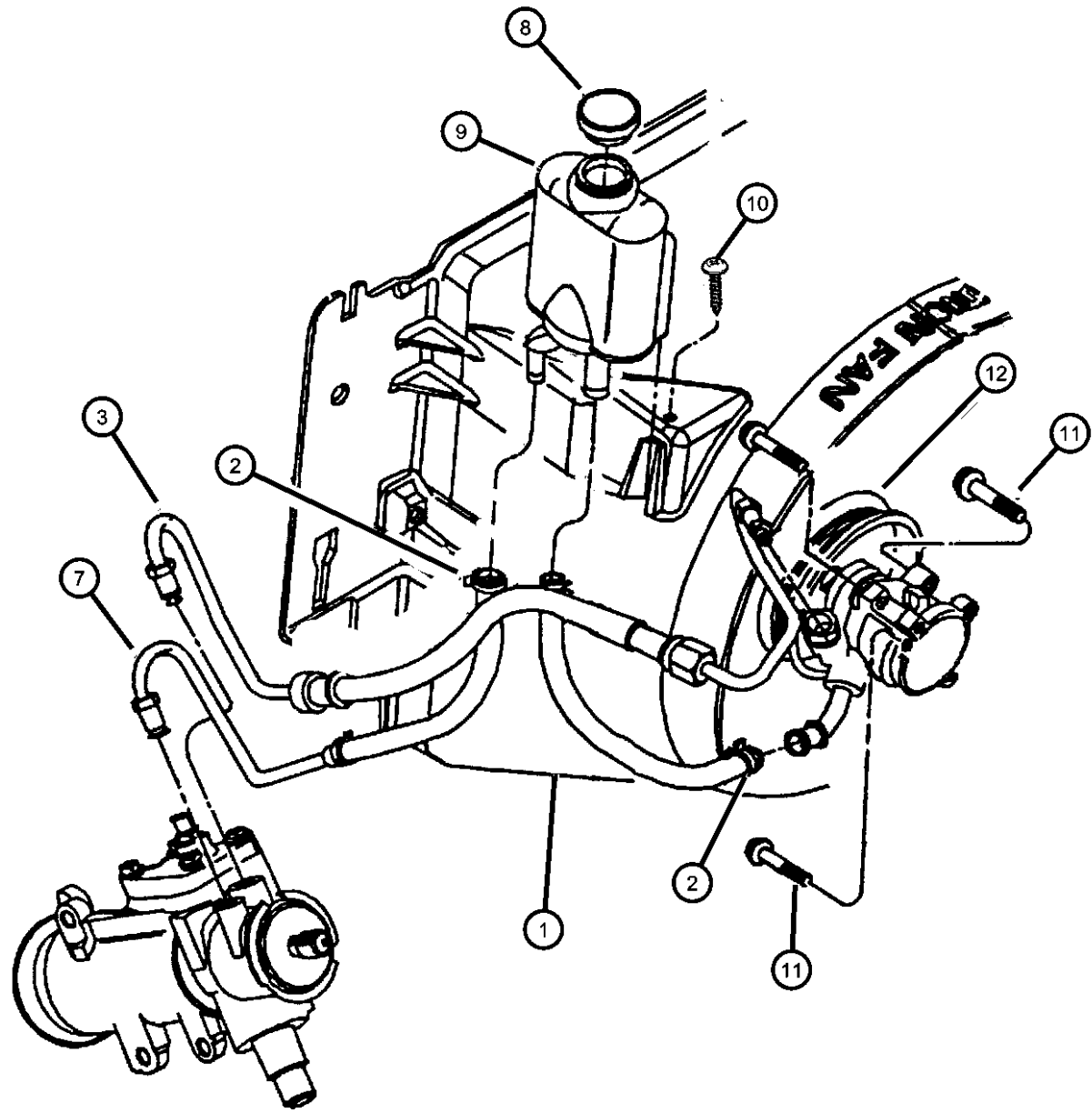


W/4.0L

WRANGLER (TJ)				
SERIES	LINE	BODY	ENGINE	TRANSMISSION
H = Sport	J = Wrangler 4WD	77 = 93.4 WB	EPE = ENGINE - 2.5L POWER TECH I-4 Cyl.	DDD = TRANSMISSION - 5-SPEED HD MANUAL
L = SE	U = Wrangler 4WD (RHD)		ERH = ENGINE - 4.0L POWER TECH I-6	DDQ = TRANSMISSION - 5-SPEED MANUAL
P = Sahara				DGD = TRANSMISSION - 3-SPD. AUTOMATIC,30RH
				DGG = TRANSMISSION - 3-SPD. AUTOMATIC,32RH
				DG0 = All Automatic Transmissions
				DBB = All Manual Transmissions
				DD0 = All 5 Speed Manual Transmissions

AR = use ase required - = Non illustrated part

Hoses and Reservoir, 2.5L Engine
Figure 19-710



ITEM	PART NUMBER	QTY	LINE	SERIES	BODY	ENGINE	TRANS	TRIM	DESCRIPTION
Note: J=Four Wheel Drive-Left Hand Drive—U=Four Wheel Drive-Right Hand Drive—EP0=All 2.5L 4 Cylinder Gas Engines—ER0=All 4.0L 6 Cyl									
1	52088541	1				EP0			HOSE, Power Steering Reservoir
2	02448761	1	J			EP0			CLAMP, Hose
3									HOSE, Power Steering Pressure
	52087825AB	1	U			EP0			4WD RHD
	52088548AB	1	J			EP0			4WD
-4	34201888	1	U						SCREW, Hex Head
-5	06035358	1	U						CLIP, Oil Cooler Tube, Power Strg Line 4WD RHD
-6	04486273	1	U						BRACKET, Power Steering Hose
7									HOSE, Power Steering Return
	52087795	1	U			EP0			4WD RHD
	52087926	1	J			EP0			4WD
8	04694766	1				EP0			CAP, Power Steering Pump
9	52087713AB	1				EP0			RESERVOIR, Power Steering Pump
10	52088924AA	1				EP0			RETAINER
11	06502425	3				ER0			SCREW AND WASHER, Hex Head, M8x1.25x95
12	53010258AB	1				EP0			PULLEY, Power Steering Pump

WRANGLER (TJ)

SERIES LINE
H = Sport J = Wrangler 4WD
L = SE U = Wrangler 4WD (RHD)
P = Sahara

BODY
77 = 93.4 WB

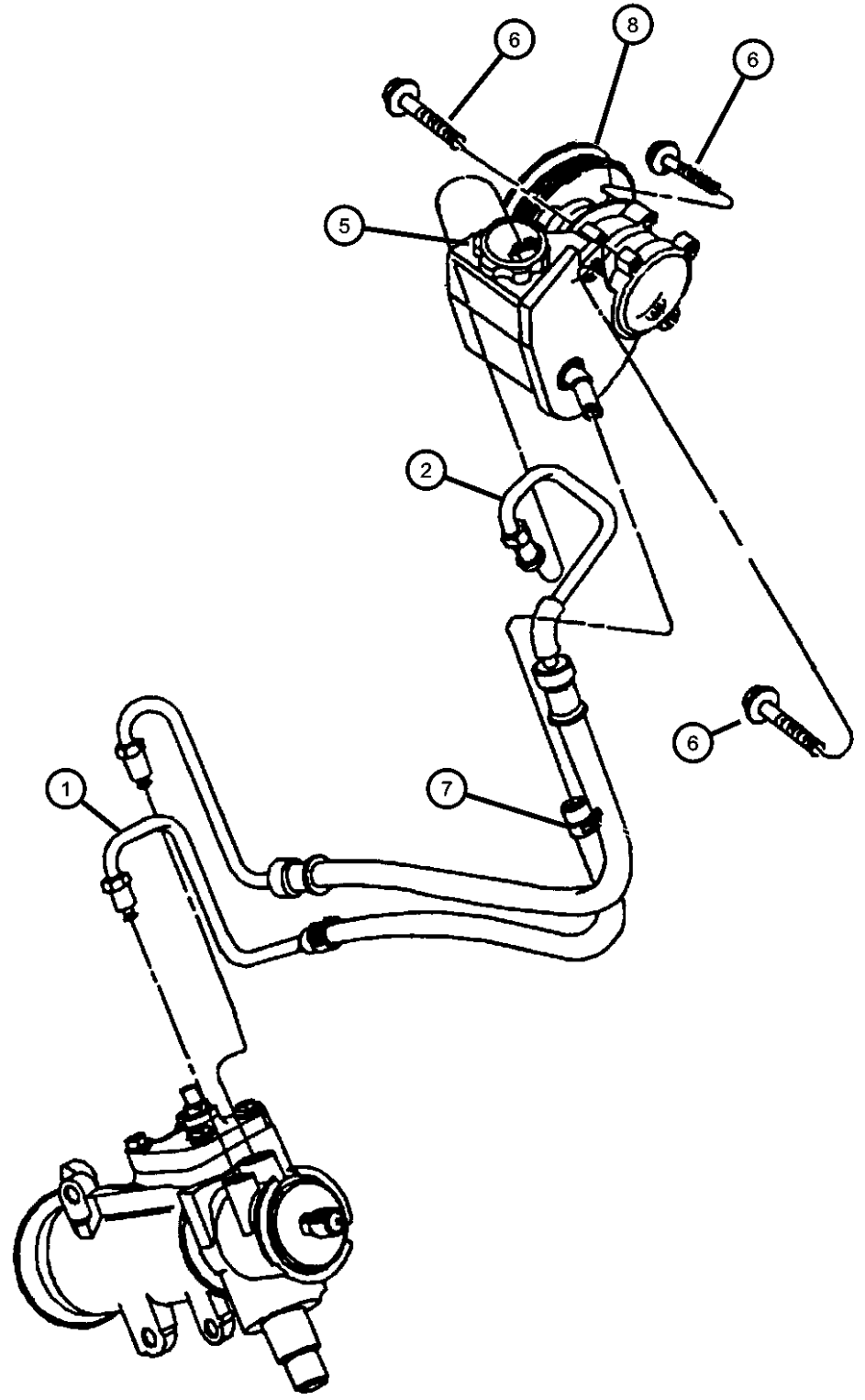
ENGINE
EPE = ENGINE - 2.5L POWER TECH I-4 Cyl.
ERH = ENGINE - 4.0L POWER TECH I-6

TRANSMISSION
DDD = TRANSMISSION - 5-SPEED HD MANUAL
DDQ = TRANSMISSION - 5-SPEED MANUAL
DGD = TRANSMISSION - 3-SPD. AUTOMATIC, 30RH
DGG = TRANSMISSION - 3-SPD. AUTOMATIC, 32RH
DGO = All Automatic Transmissions
DBB = All Manual Transmissions
DDO = All 5 Speed Manual Transmissions

AR = use ase required - = Non illustrated part

2000 TJ

Hoses and Reservoir,4.0L Engine
Figure 19-720



ITEM	PART NUMBER	QTY	LINE	SERIES	BODY	ENGINE	TRANS	TRIM	DESCRIPTION
Note:EP0 = ALL 2.5L 4 Cylinder Gas Engines—ER0=4.0L 6 Cylinder Gas Engines—J-Four Wheel Drive-Left Hand Drive—U=Four Wheel Drive-R									
1									HOSE, Power Steering Return
	52038423AB	1	J			ER0			4WD
	52038424AB	1	U			ER0			4WD RHD
2									HOSE, Power Steering Pressure
	52087902AB	1	J			ER0			4WD
	52087903AB	1	U			ER0			4WD RHD
-3	34201888	1	U						SCREW, Hex Head
-4	06035358	1	U						CLIP, Oil Cooler Tube, Power Strg Line 4WD RHD
5	04694766	1				EP0			CAP, Power Steering Pump
6	06502425	3				ER0			SCREW AND WASHER, Hex Head, M8x1.25x95
7	02448770	2				EP0			CLAMP, Hose
8	53010258AB	1				EP0			PULLEY, Power Steering Pump
-9	52002044	1	U						CLIP, Tube, Power Strg Line to Frame 4WD RHD
-10	04897287AA	1				ER0			CAP, Power Steering Reservoir

WRANGLER (TJ)

SERIES	LINE	BODY	ENGINE	TRANSMISSION
H = Sport	J = Wrangler 4WD	77 = 93.4 WB	EPE = ENGINE - 2.5L POWER TECH I-4 Cyl.	DDD = TRANSMISSION - 5-SPEED HD MANUAL
L = SE	U = Wrangler 4WD (RHD)		ERH = ENGINE - 4.0L POWER TECH I-6	DDQ = TRANSMISSION - 5-SPEED MANUAL
P = Sahara				DGD = TRANSMISSION - 3-SPD. AUTOMATIC,30RH
				DGG = TRANSMISSION - 3-SPD. AUTOMATIC,32RH
				DG0 = All Automatic Transmissions
				DBB = All Manual Transmissions
				DD0 = All 5 Speed Manual Transmissions

AR = use ase required - = Non illustrated part

Group - 30RH

Automatic Transmission 3 Speed

Group - 30RH Automatic Transmission 3 Speed

Illustration Title

Group-Fig. No.

Transmission Assembly

Transmission 30RH (DGD) Fig. 30RH - 110

Case and Extension

Case and Related Parts 30RH (DGD)..... Fig. 30RH - 210

Oil Pump

Oil Pump 30RH (DGD)..... Fig. 30RH - 310

Gear Train

Clutch, Front and Rear 30RH (DGD) Fig. 30RH - 410

Output Shaft 30RH (DGD)..... Fig. 30RH - 420

Bands, Reverse and Kickdown

Bands 30RH (DGD)..... Fig. 30RH - 510

Governor

Governor 30RH (DGD) Fig. 30RH - 610

Valve Body

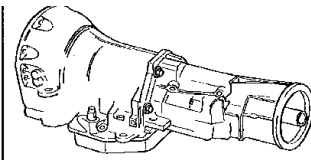
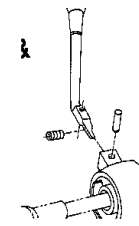
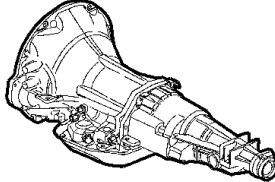

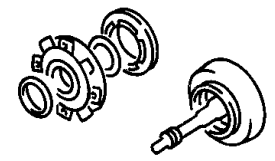
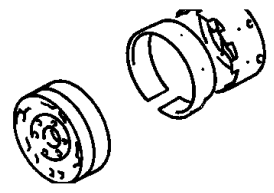
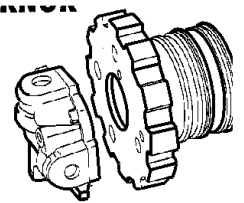
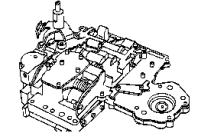
Valve Body 30RH (DGD) Fig. 30RH - 710

Servos 30RH (DGD) Fig. 30RH - 720

Parking Sprag 30RH (DGD)..... Fig. 30RH - 730

Gearshift Controls

Gearshift Controls 30RH (DGD) Fig. 30RH - 1230

<p>30RH-100 Transmission Assembly</p> 	<p>30RH-1200 Gearshift Controls</p> 	<p>30RH-200 Case and Extension</p> 	<p>30RH-300 Oil Pump</p> 
<p>30RH-400 Gear Train</p> 	<p>30RH-500 Bands, Reverse and Kickdown</p> 	<p>30RH-600 Governor</p> 	<p>30RH-700 Valve Body</p> 

**Transmisson 30RH (DGD)
Figure 30RH-110**

ITEM	PART NUMBER	QTY	LINE	SERIES	BODY	ENGINE	TRANS	TRIM	DESCRIPTION
------	-------------	-----	------	--------	------	--------	-------	------	-------------

Note:

DGD = 3 Speed Automatic Transmission 30RH

DG0 = All Automatic Transmissions

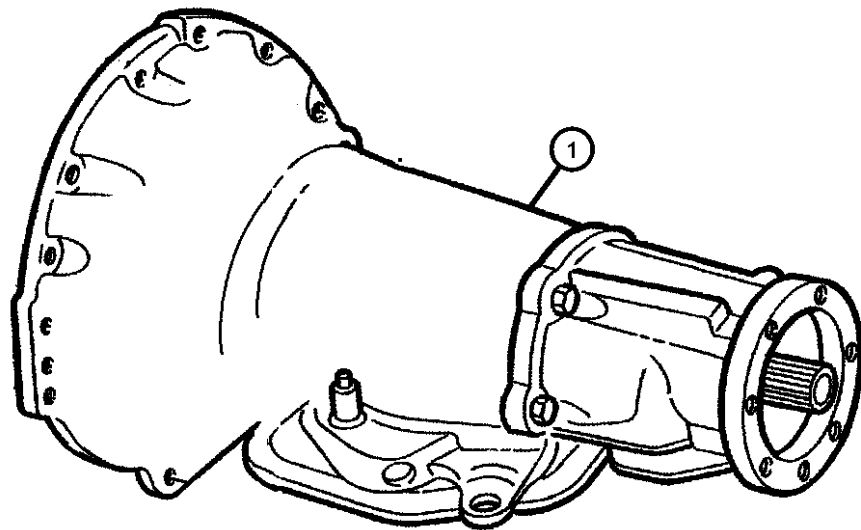
EPE = 2.5L SMPi Magnum 4 Cyl Engine

EP0 = All 2.5L 4 Cyl Gas Engines

1 05015269AA 1

DGD

TRANSMISSION PACKAGE,
52119831AA (Package Contains
52119831AA transmission,
K4736388AB Converter, K6501099
Bolts)



WRANGLER (TJ)

SERIES

H = Sport
L = SE
P = Sahara

LINE

J = Wrangler 4WD
U = Wrangler 4WD (RHD)

BODY

77 = 93.4 WB

ENGINE

EPE = ENGINE - 2.5L POWER
TECH I-4 Cyl.
ERH = ENGINE - 4.0L
POWER TECH I-6

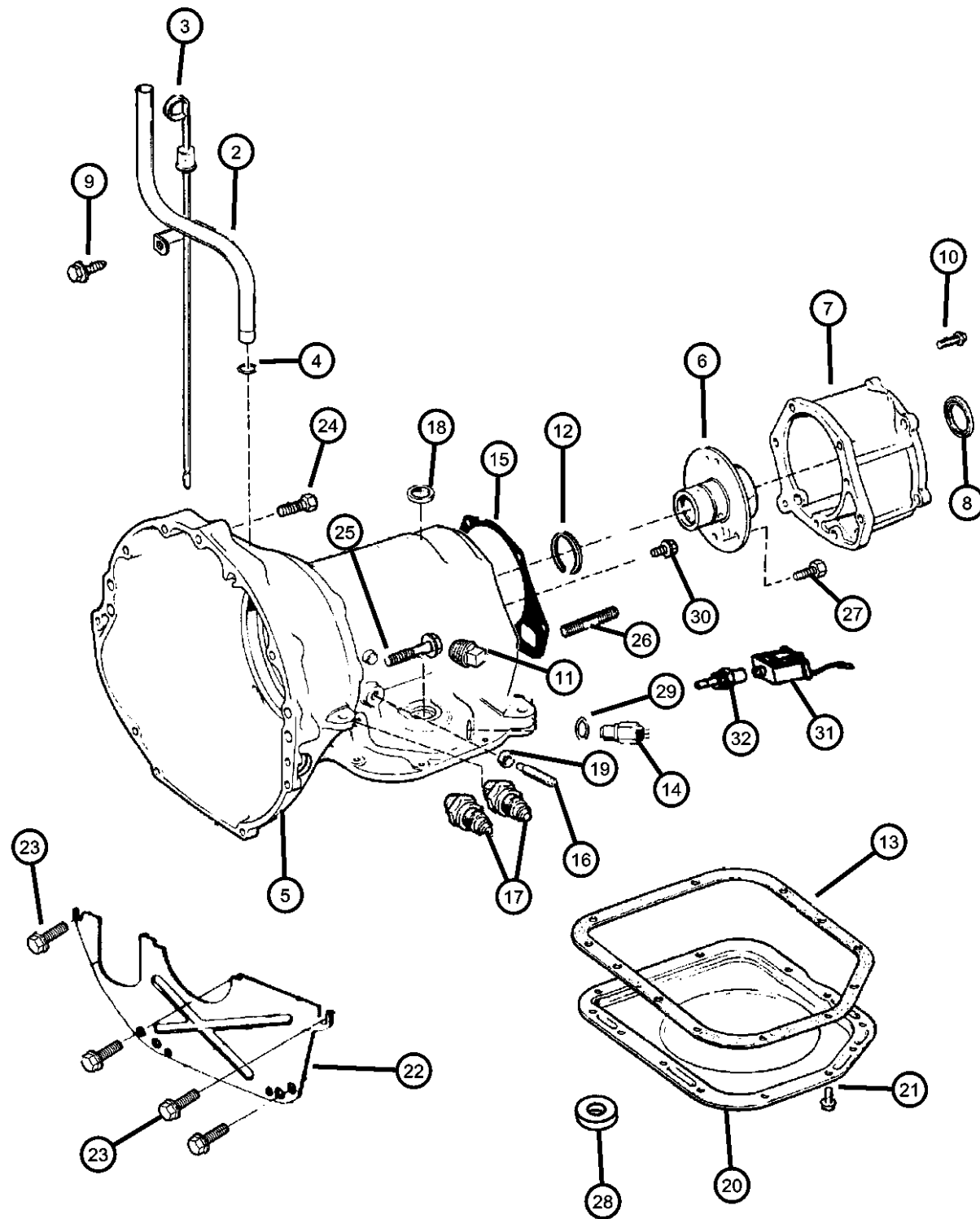
TRANSMISSION

DDD = TRANSMISSION - 5-SPEED
HD MANUAL
DDQ = TRANSMISSION - 5-SPEED
MANUAL
DGD = TRANSMISSION - 3-SPD.
AUTOMATIC,30RH
DGG = TRANSMISSION - 3-SPD.
AUTOMATIC,32RH
DG0 = All Automatic Transmissions
DBB = All Manual Transmissions
DD0 = All 5 Speed Manual
Transmissions

AR = use ase required - = Non illustrated part

2000 TJ

Case and Related Parts 30RH (DGD)
Figure 30RH-210



ITEM	PART NUMBER	QTY	LINE	SERIES	BODY	ENGINE	TRANS	TRIM	DESCRIPTION
------	-------------	-----	------	--------	------	--------	-------	------	-------------

Note:
 DBB = All Manual Transmissions
 DGD = 3 Speed Automatic Transmission 30RH
 DG0 = All Automatic Transmissions
 EPE = 2.5L SMPi Magnum 4 Cyl Engine
 EP0 = All 2.5L 4 Cyl Gas Engines
 ERH = 4.0L Power Tech I-6 Engine
 ER0 = All 4.0L 6 Cyl Gas Engines

-1	04883957AC	1					DGD		SEAL AND GASKET PACKAGE, Transmission
2	52104244AB	1				EP0	DG0		TUBE, Transmission Oil Filler
3	52104240AB	1				EP0, ER0	DG0		INDICATOR, Transmission Fluid Level
4	52118629AB	1				EP0, ER0	DG0		SEAL, Oil Filler Tube
5	52118593	1					DGD		CASE, Transmission
6	04431433	1					DGD		SUPPORT, Output Shaft
7	52118076	1					DGD		ADAPTER, Transmission
8	04269956	1					DGD		SEAL, Adapter
9	J4001701	11					DG0		SCREW, Hex Self Tapping, .19-16x.50
10	06030849	5					DGD		SCREW AND WASHER, Hex Head Locking, .375-16x1.375
11	06028095	1					DGD		PLUG, Pressure Check
12	06033480	1					DGD		SNAP RING, Reverse Drum
13	04295875	1					DGD		GASKET, Oil Pan
14	56028181AB	1					DGD		SWITCH, Neutral, Safety, Back Up
15	02466954	1					DGD		GASKET, Transmission Case
16	06036141AA	1					DGD		SCREW
17	52028471	1					DGD		CONNECTOR, Oil Cooler Tube, .375 Tube x .25 Thread
18	04505098	1					DGD		SEAL, Manual Shift Valve, 1.25 OD
19	04505098	1							NUT, (NOT SERVICED)
20	52118802	1					DGD		PAN, Transmission Oil
21	04723548	14					DGD		SCREW AND WASHER, Hex Head, .312-18x.625
22	52118408	1					DGD		COVER, Transmission Converter

WRANGLER (TJ)

SERIES LINE
 H = Sport J = Wrangler 4WD
 L = SE U = Wrangler 4WD (RHD)
 P = Sahara

BODY
 77 = 93.4 WB

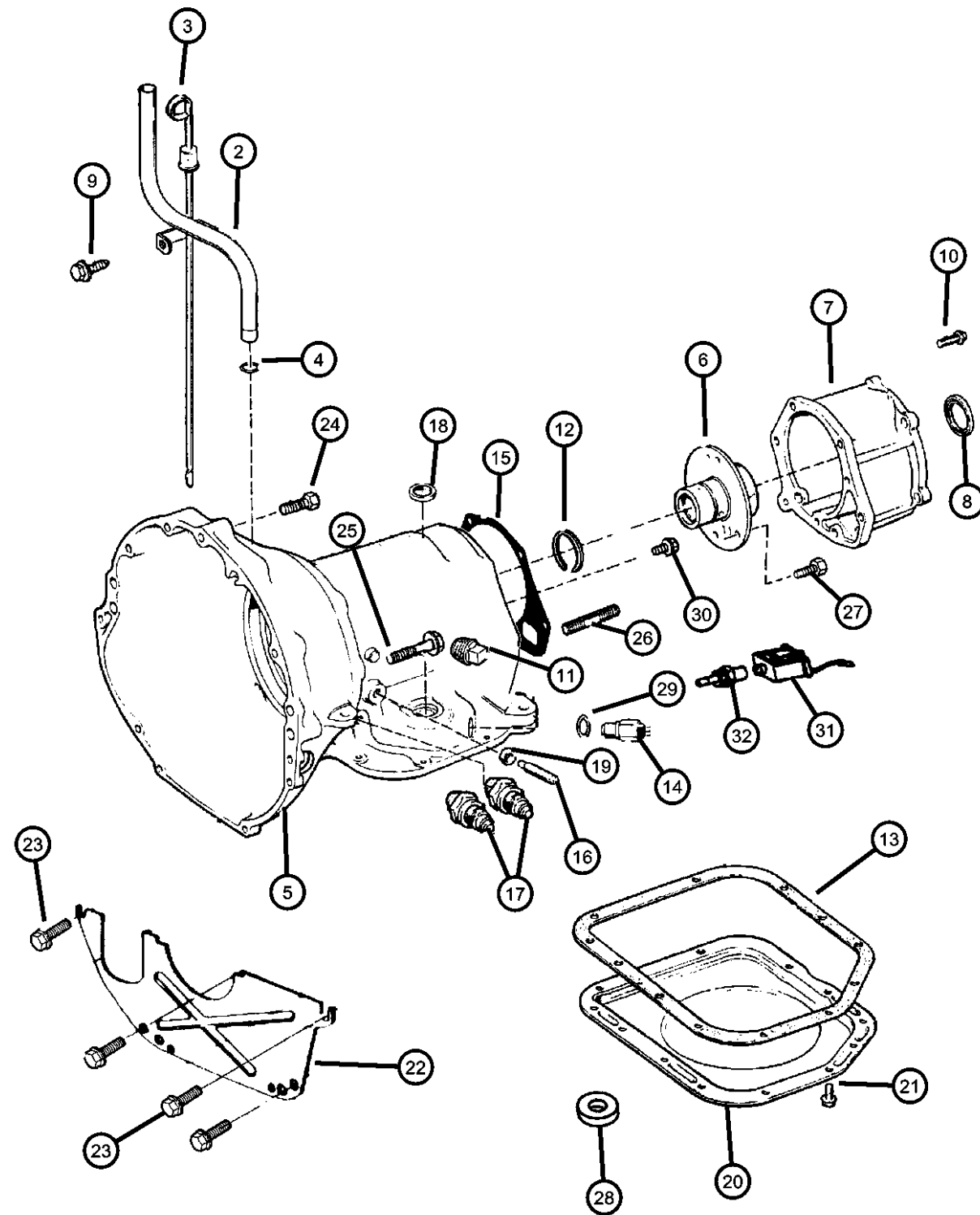
ENGINE
 EPE = ENGINE - 2.5L POWER
 TECH I-4 Cyl.
 ERH = ENGINE - 4.0L
 POWER TECH I-6

TRANSMISSION
 DDD = TRANSMISSION - 5-SPEED
 HD MANUAL
 DDQ = TRANSMISSION - 5-SPEED
 MANUAL
 DGD = TRANSMISSION - 3-SPD.
 AUTOMATIC, 30RH
 DGG = TRANSMISSION - 3-SPD.
 AUTOMATIC, 32RH
 DG0 = All Automatic Transmissions
 DBB = All Manual Transmissions
 DD0 = All 5 Speed Manual
 Transmissions

AR = use ase required - = Non illustrated part

2000 TJ

Case and Related Parts 30RH (DGD)
Figure 30RH-210



ITEM	PART NUMBER	QTY	LINE	SERIES	BODY	ENGINE	TRANS	TRIM	DESCRIPTION
23	11502628	2					DGD		BOLT, Hex Flange Head, M8x1.25x30
24	11504922	1					DGD		BOLT, Hex Head, M12x1.75x50
25	34201837	1					DGD		BOLT, Hex Flange Head, M12x1.75x90
26	06033157	1					DGD		STUD, .375-16x2.312
27	06033479	6					DGD		BOLT, Hex Head, .25-28x1-5/8
28	03681601	1					DGD		MAGNET, Transmission
29	02408143	1					DG0		WASHER, Switch
30	06033616	5					DGD		SCREW, Hex Flange Head, .25-28x.875
31	52118595	1					DGD		SOLENOID, Transmission
32	56038235	1					DGD		CONNECTOR, Wiring

WRANGLER (TJ)

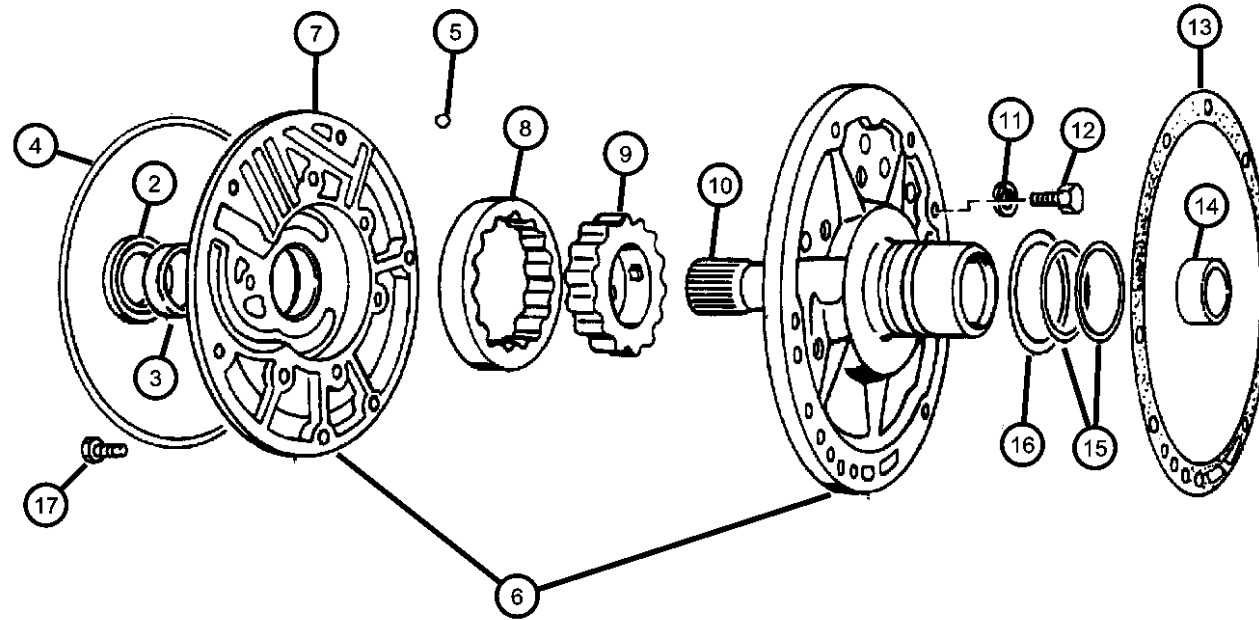
SERIES LINE BODY
H = Sport J = Wrangler 4WD 77 = 93.4 WB
L = SE U = Wrangler 4WD (RHD)
P = Sahara

ENGINE TRANSMISSION
EPE = ENGINE - 2.5L POWER TECH I-4 Cyl. DDD = TRANSMISSION - 5-SPEED HD MANUAL
ERH = ENGINE - 4.0L POWER TECH I-6 DDQ = TRANSMISSION - 5-SPEED MANUAL
DGD = TRANSMISSION - 3-SPD. AUTOMATIC,30RH
DGG = TRANSMISSION - 3-SPD. AUTOMATIC,32RH
DG0 = All Automatic Transmissions
DBB = All Manual Transmissions
DD0 = All 5 Speed Manual Transmissions

AR = use ase required - = Non illustrated part

2000 TJ

**Oil Pump 30RH (DGD)
Figure 30RH-310**



ITEM	PART NUMBER	QTY	LINE	SERIES	BODY	ENGINE	TRANS	TRIM	DESCRIPTION
-1	04713108AB	1					DGD		GASKET AND SEAL PACKAGE, Transmission Oil Pump
2	04412475	1					DGD		SEAL, Impeller Hub, 57.25mm OD
3	01853595	1					DGD		BUSHING, Front Pump
4	02204709	1					DGD		SEAL, Front Pump Housing
5	02204709	1							BALL, Valve Body Check, (NOT SERVICED)
6	52118267AB	1					DGD		PUMP, Transmission Oil
7	52118267AB	1							HOUSING, Pump, (NOT SERVICED)
8	52118267AB	1							ROTOR, Oil Pump, (NOT SERVICED)
9	52118267AB	1							ROTOR, Oil Pump, (NOT SERVICED)
10	52118267AB	1							SHAFT, Oil Pump, (NOT SERVICED)
11	52118267AB	1							LOCK WASHER, (NOT SERVICED)
12	00179815	6					DGD		SCREW, Hex Head, .312-18x.687
13	52118266	1					DGD		GASKET, Transmission Oil Pump
14	04028545	1					DGD		BUSHING, Reaction Shaft
15	04471874	2					DGD		SEAL, Ring Reaction Support, 2 1/16 O.D.
16	04617786	1					DGD		THRUST WASHER, Front Clutch
17	06023943	6					DGD		SCREW AND WASHER, Hex Flange Head, .312-18x1.375

WRANGLER (TJ)

SERIES LINE
H = Sport J = Wrangler 4WD
L = SE U = Wrangler 4WD (RHD)
P = Sahara

BODY
77 = 93.4 WB

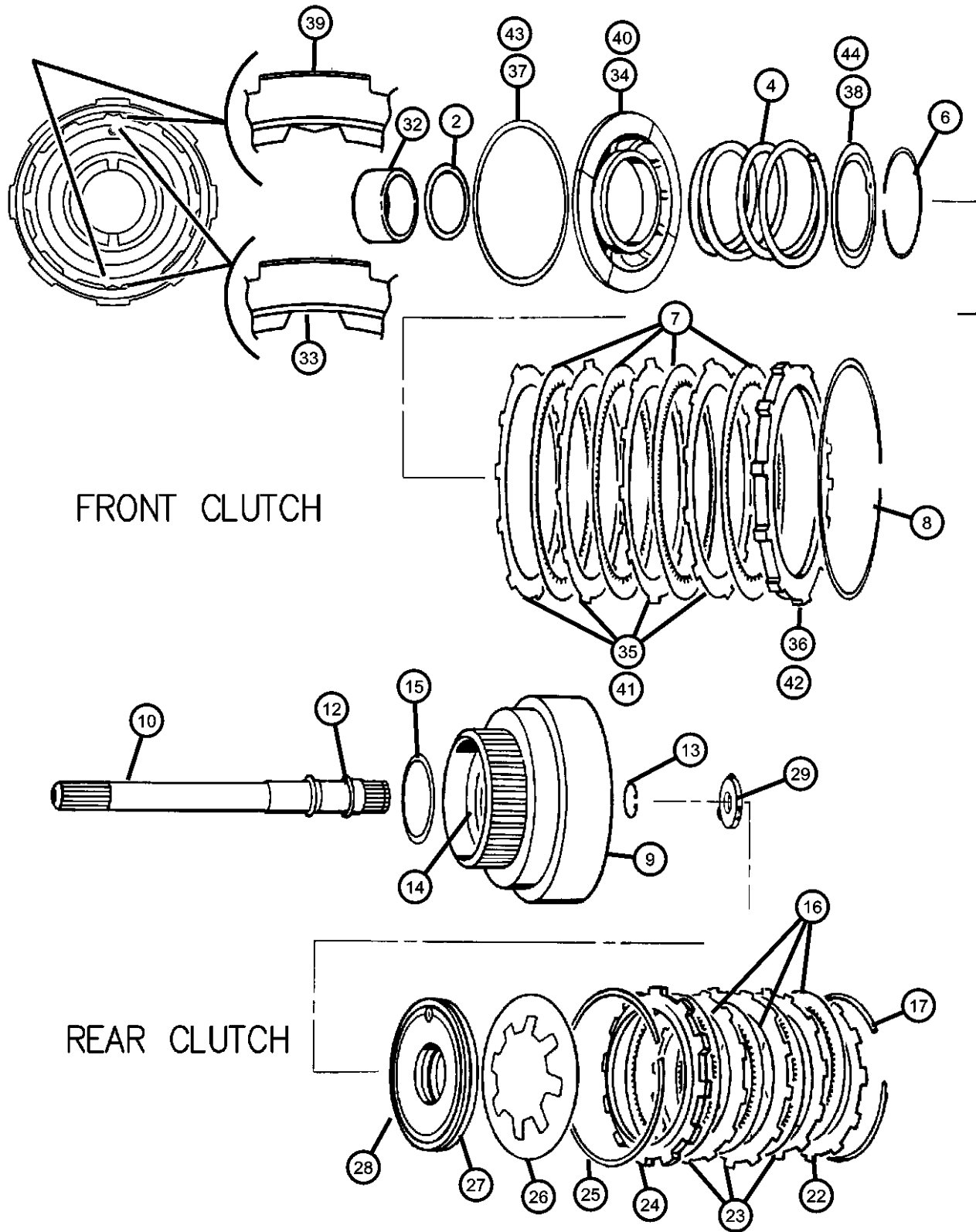
ENGINE
EPE = ENGINE - 2.5L POWER TECH I-4 Cyl.
ERH = ENGINE - 4.0L POWER TECH I-6

TRANSMISSION
DDD = TRANSMISSION - 5-SPEED HD MANUAL
DDQ = TRANSMISSION - 5-SPEED MANUAL
DGD = TRANSMISSION - 3-SPD. AUTOMATIC, 30RH
DGG = TRANSMISSION - 3-SPD. AUTOMATIC, 32RH
DG0 = All Automatic Transmissions
DBB = All Manual Transmissions
DD0 = All 5 Speed Manual Transmissions

AR = use ase required - = Non illustrated part

2000 TJ

Clutch, Front and Rear 30RH (DGD)
Figure 30RH-410



ITEM	PART NUMBER	QTY	LINE	SERIES	BODY	ENGINE	TRANS	TRIM	DESCRIPTION
------	-------------	-----	------	--------	------	--------	-------	------	-------------

Note:
DGD = 3 Speed Automatic Transmission 30RH
DG0 = All Automatic Transmissions
EPE = 2.5L SMPi Magnum 4 Cyl Engine
EP0 = All 2.5L 4 Cyl Gas Engines

-1	05252926AB	1					DGD		SEAL PACKAGE, Transmission Clutch
2	03515176	1					DGD		SEAL, Front Clutch Piston
-3	00147483	1					DGD		CHECK BALL, Dia-.187
4	03515054	1					DGD		SPRING, Front Clutch
-5	00147483	1					DGD		CHECK BALL, Dia-.187
6	01942400	1					DGD		SNAP RING
7	04617362	4					DGD		DISC, Direct Clutch
8	03410571	1					DGD		SNAP RING
9	04505195	1					DGD		RETAINER, Transmission Rear Clutch
10	04505195	1							SHAFT, Input, (NOT SERVICED)
-11	00147483	1					DGD		CHECK BALL, Dia-.187
12	01401221AB	1					DGD		SEAL, Input Shaft
13	06022859	1					DGD		SNAP RING, .890625
14	04028333	1					DGD		SEAL, Rear Clutch, 1.50 ODx.009 Thk
15	04617786	1					DGD		THRUST WASHER, Front Clutch
16	04713880	3					DGD		DISC, Clutch
17	04130761	1					DGD		SNAP RING
-18	04539121	1					DGD		SNAP RING, Rear Clutch, .076
-19	04539122	1					DGD		SNAP RING, Rear Clutch, .098
-20	04539123	1					DGD		SNAP RING, Rear Clutch, .095
-21	04539124	1					DGD		SNAP RING, Rear Clutch, .107
22	04617176	1					DGD		PLATE, Transmission Clutch Reaction
23									PLATE, Clutch Separator
	01942403AB	2					DGD		Without [V] Notch
	01942403AC	4					DGD		With [V] Notch

WRANGLER (TJ)

SERIES LINE BODY
H = Sport J = Wrangler 4WD 77 = 93.4 WB
L = SE U = Wrangler 4WD (RHD)
P = Sahara

BODY
77 = 93.4 WB

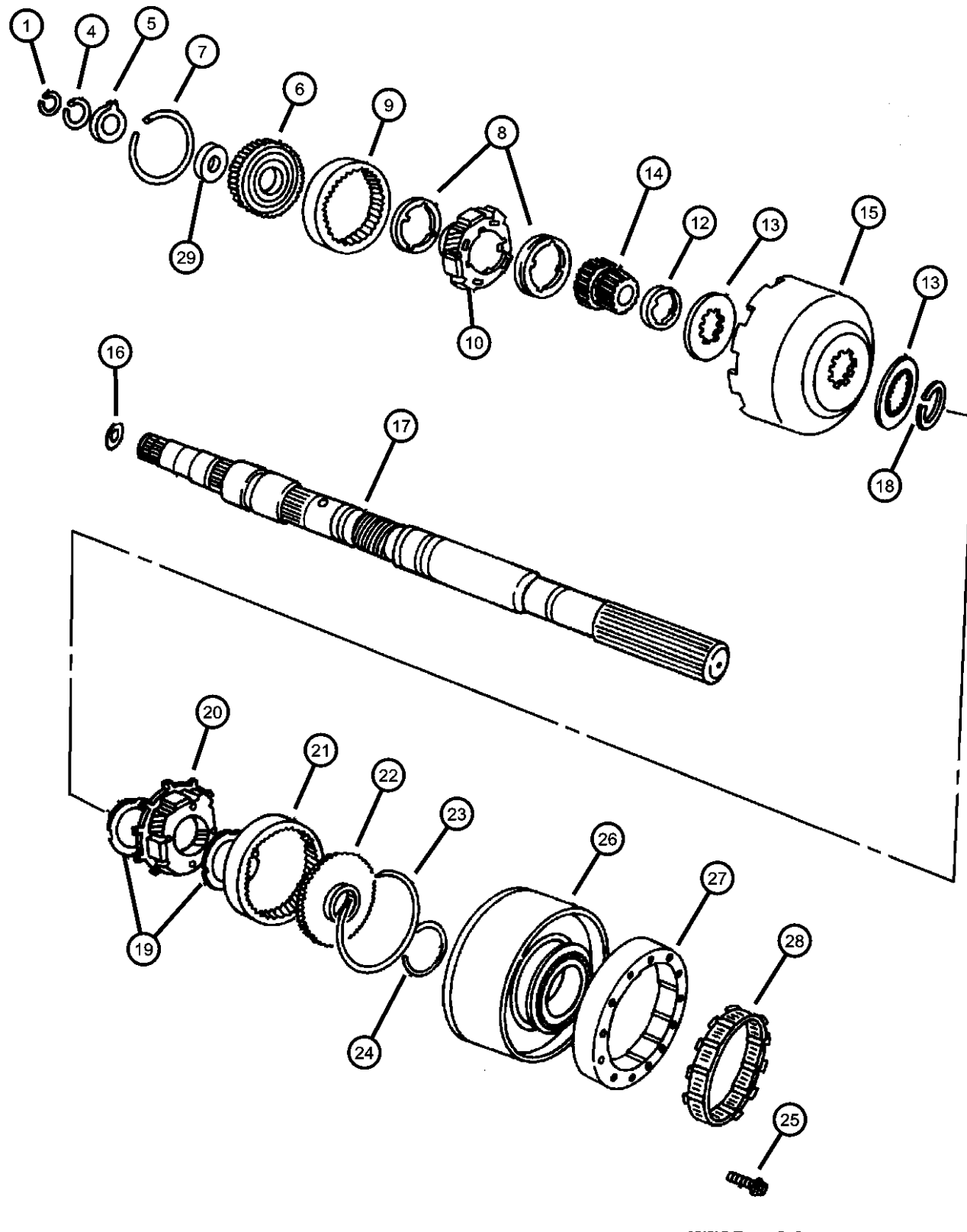
ENGINE
EPE = ENGINE - 2.5L POWER TECH I-4 Cyl.
ERH = ENGINE - 4.0L POWER TECH I-6

TRANSMISSION
DDD = TRANSMISSION - 5-SPEED HD MANUAL
DDQ = TRANSMISSION - 5-SPEED MANUAL
DGD = TRANSMISSION - 3-SPD. AUTOMATIC, 30RH
DGG = TRANSMISSION - 3-SPD. AUTOMATIC, 32RH
DG0 = All Automatic Transmissions
DBB = All Manual Transmissions
DD0 = All 5 Speed Manual Transmissions

AR = use ase required - = Non illustrated part

2000 TJ

Output Shaft 30RH (DGD)
Figure 30RH-420



ITEM	PART NUMBER	QTY	LINE	SERIES	BODY	ENGINE	TRANS	TRIM	DESCRIPTION
1	06026289	1					DGD		SNAP RING, .946 ID
-2	06030938	1					DGD		SNAP RING
-3	06030404	1					DGD		SNAP RING, Output Shaft, 1.029 OD
4	06030576	1					DGD		SNAP RING, Annulus Gear, 1.375 ID
5	03681969	1					DGD		THRUST WASHER, Annulus Gear
6	04617774	1					DGD		SUPPORT, Annulus Gear
7	06030576	1					DGD		SNAP RING, Annulus Gear, 1.375 ID
8	04130518	2					DGD		THRUST WASHER, Planetary Carrier
9	04130512	1					DGD		GEAR, Front Annulus
10	04130514	1					DGD		CARRIER, Planetary Pinion
-11	03681949	8					DGD		THRUST WASHER, Planet Pinion
12	04130736	1					DGD		SPACER, Sun Gear
13	04471566	2					DGD		PLATE, Transmission Module
14	04130685	1					DGD		GEAR, Sun
15	04531288	1					DGD		SHELL, Sun Gear
16	04505188	1					DGD		PLATE, Transmission Module
17	04617320	1					DGD		MAINSHAFT, Transmission
18	01942439	1					DGD		SNAP RING, Sun Gear Shell
19	03681935	1					DGD		THRUST WASHER, Planetary Carrier
20	04431438	1					DGD		CARRIER, Planetary Pinion
21	03743184	1					DGD		GEAR, Rear Annulus
22	03515501	1					DGD		SUPPORT, Annulus Gear
23	01942444	1					DGD		SNAP RING
24	06033480	1					DGD		SNAP RING, Reverse Drum

Note:

DGD = 3 Speed Automatic Transmission 30RH
 DG0 = All Automatic Transmissions
 EPE = 2.5L SMPi Magnum 4 Cyl Engine
 EP0 = All 2.5L 4 Cyl Gas Engines

WRANGLER (TJ)

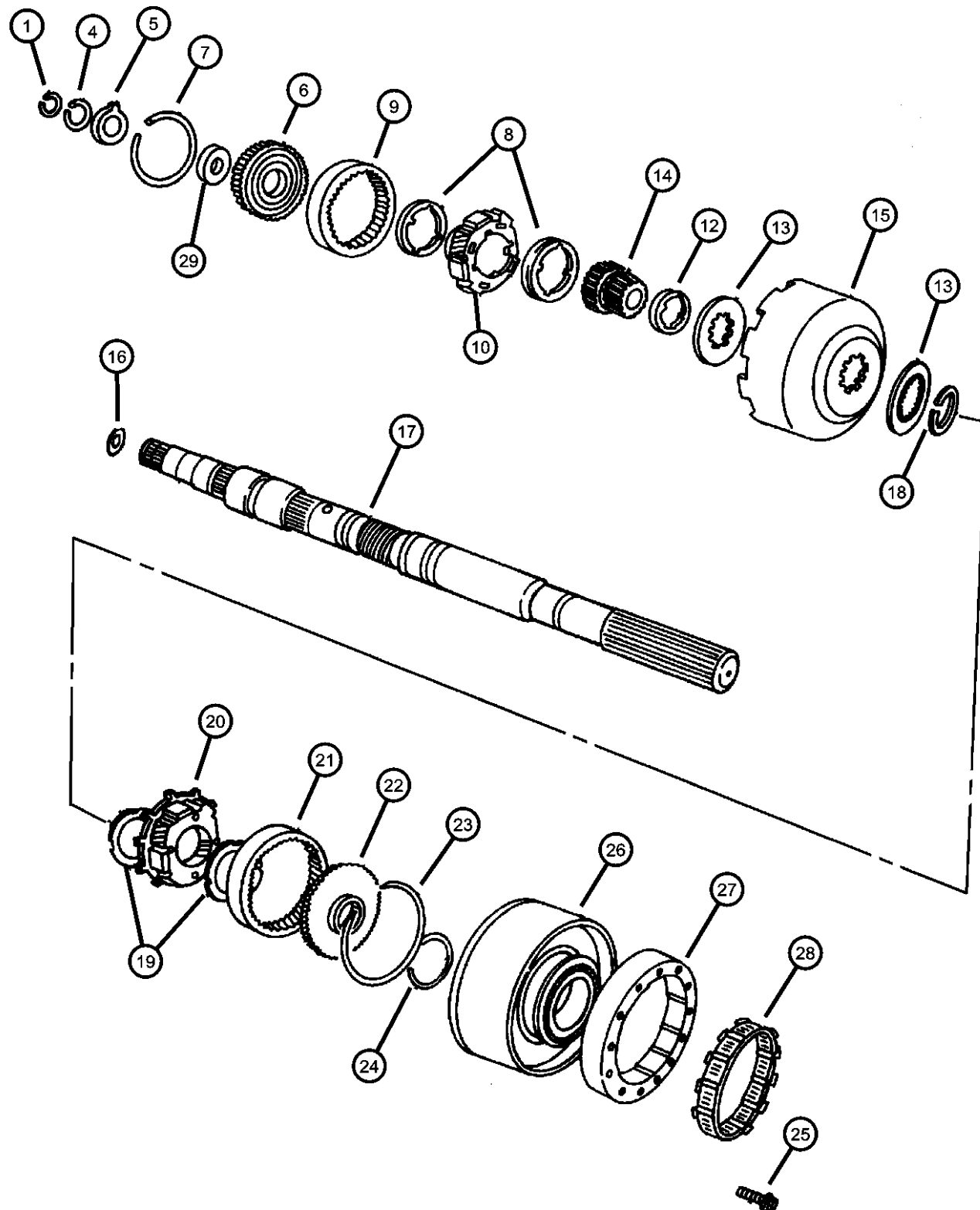
SERIES LINE BODY
 H = Sport J = Wrangler 4WD 77 = 93.4 WB
 L = SE U = Wrangler 4WD (RHD)
 P = Sahara

ENGINE TRANSMISSION
 EPE = ENGINE - 2.5L POWER TECH I-4 Cyl.
 ERH = ENGINE - 4.0L POWER TECH I-6
 DDD = TRANSMISSION - 5-SPEED HD MANUAL
 DDQ = TRANSMISSION - 5-SPEED MANUAL
 DGD = TRANSMISSION - 3-SPD. AUTOMATIC, 30RH
 DGG = TRANSMISSION - 3-SPD. AUTOMATIC, 32RH
 DG0 = All Automatic Transmissions
 DBB = All Manual Transmissions
 DD0 = All 5 Speed Manual Transmissions

AR = use ase required - = Non illustrated part

2000 TJ

Output Shaft 30RH (DGD)
Figure 30RH-420



ITEM	PART NUMBER	QTY	LINE	SERIES	BODY	ENGINE	TRANS	TRIM	DESCRIPTION
25	06033616	5					DGD		SCREW, Hex Flange Head, .25-28x.875
26	04637956	1					DGD		DRUM PACKAGE, Transmission
27	04431690	1					DGD		CAM, Overrunning Clutch
28	04431432	1					DGD		CLUTCH, Overrunning
29	04617775	1					DGD		PLATE, Annulus Gear Thrust

WRANGLER (TJ)

SERIES LINE
H = Sport J = Wrangler 4WD
L = SE U = Wrangler 4WD (RHD)
P = Sahara

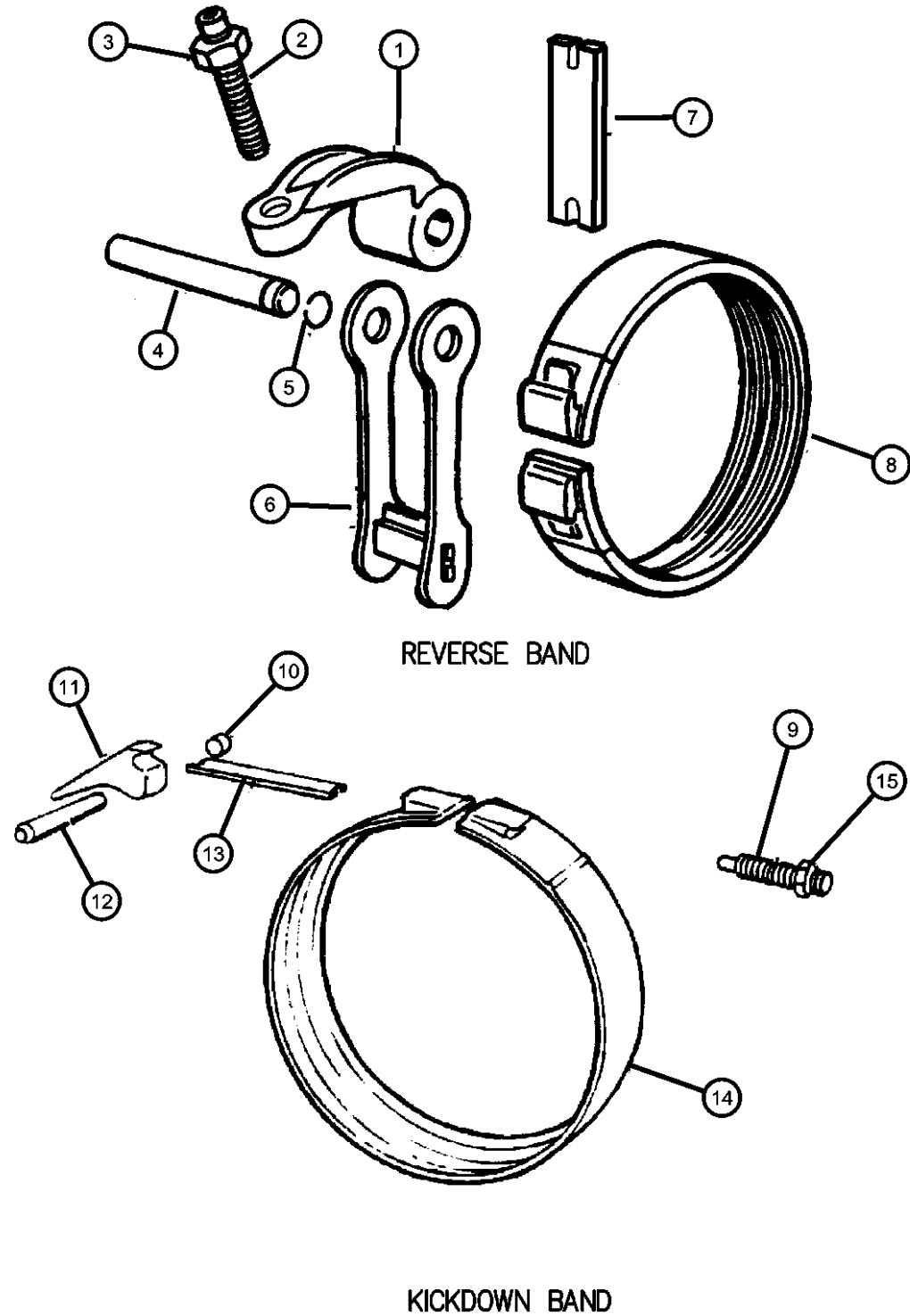
BODY
77 = 93.4 WB

ENGINE
EPE = ENGINE - 2.5L POWER TECH I-4 Cyl.
ERH = ENGINE - 4.0L POWER TECH I-6

TRANSMISSION
DDD = TRANSMISSION - 5-SPEED HD MANUAL
DDQ = TRANSMISSION - 5-SPEED MANUAL
DGD = TRANSMISSION - 3-SPD. AUTOMATIC, 30RH
DGG = TRANSMISSION - 3-SPD. AUTOMATIC, 32RH
DGO = All Automatic Transmissions
DBB = All Manual Transmissions
DDO = All 5 Speed Manual Transmissions

AR = use ase required - = Non illustrated part

**Bands 30RH (DGD)
Figure 30RH-510**



REVERSE BAND

KICKDOWN BAND

ITEM	PART NUMBER	QTY	LINE	SERIES	BODY	ENGINE	TRANS	TRIM	DESCRIPTION
Note: DGD = 3 Speed Automatic Transmission 30RH DG0 = All Automatic Transmissions EPE = 2.5L SMPI Magnum 4 Cyl Engine EP0 = All 2.5L 4 Cyl Gas Engines									
1	03681139	1					DGD		LEVER, Reverse Band
2	06030704	1					DGD		SCREW, Cap, .437-20x1.812
3	00271506	1					DGD		NUT, Hex, .42-20
4	03410102	1					DGD		SHAFT, Reverse Band
5	06030657	1					DGD		O RING, Steering Gear
6	02464439	1					DGD		LINK, Transmission Reverse Band
7	03515589	1					DGD		STRUT, Reverse Band
8	04431405	1					DGD		BAND, Reverse
9	06036141AA	1					DGD		SCREW
10	06036141AA	1							PLUG, (NOT SERVICED)
11	02125067	1					DGD		LEVER, Kickdown
12	04531181	1					DGD		SHAFT, Band Lever
13	03515084	1					DGD		STRUT, Kickdown Band
14	04617849	1					DGD		BAND, Kickdown
15	00124934	1					DGD		NUT, Hex Jam, .50-20

WRANGLER (TJ)

SERIES LINE
H = Sport J = Wrangler 4WD
L = SE U = Wrangler 4WD (RHD)
P = Sahara

BODY
77 = 93.4 WB

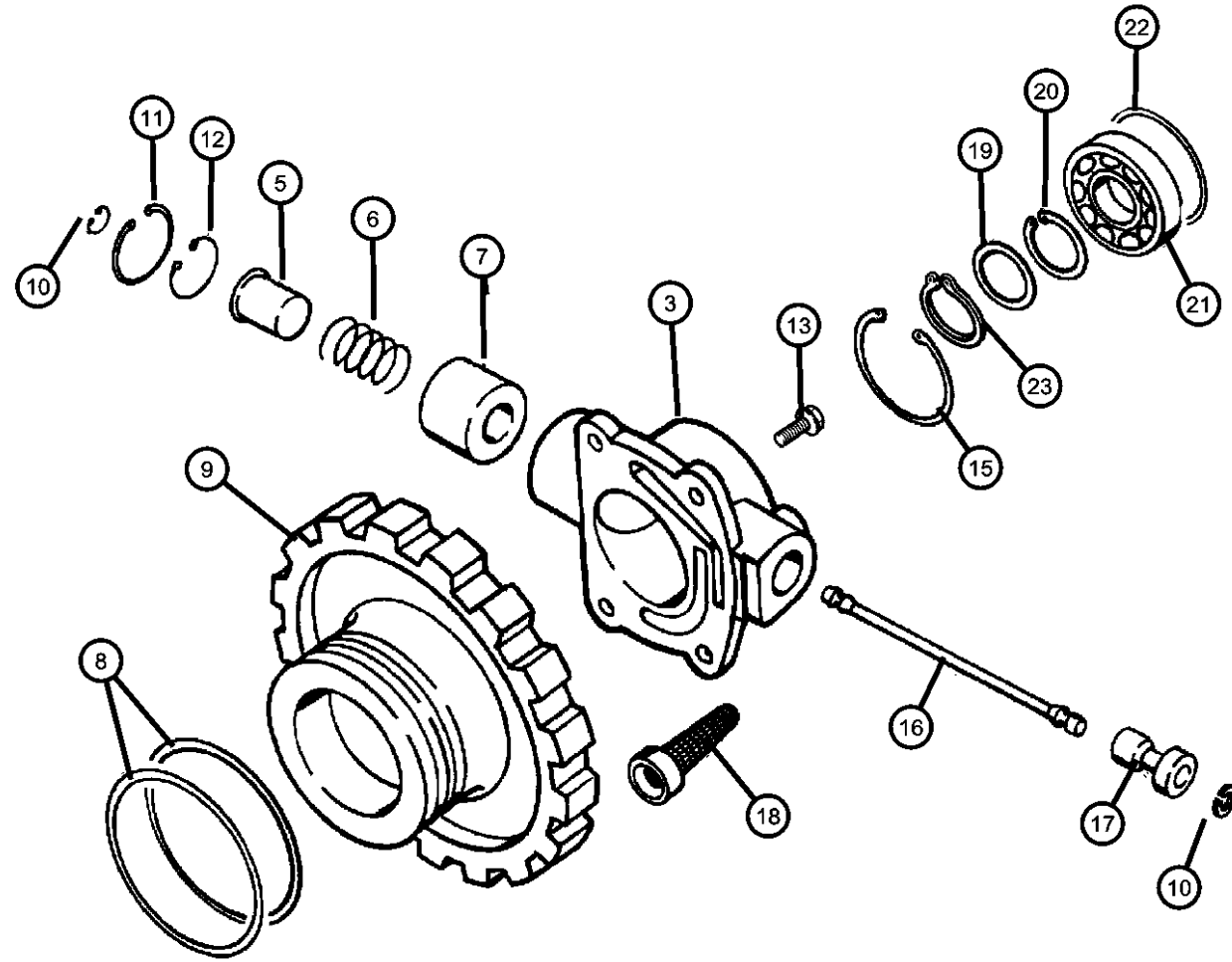
ENGINE
EPE = ENGINE - 2.5L POWER
TECH I-4 Cyl.
ERH = ENGINE - 4.0L
POWER TECH I-6

TRANSMISSION
DDD = TRANSMISSION - 5-SPEED
HD MANUAL
DDQ = TRANSMISSION - 5-SPEED
MANUAL
DGD = TRANSMISSION - 3-SPD.
AUTOMATIC,30RH
DGG = TRANSMISSION - 3-SPD.
AUTOMATIC,32RH
DG0 = All Automatic Transmissions
DBB = All Manual Transmissions
DD0 = All 5 Speed Manual
Transmissions

AR = use ase required - = Non illustrated part

2000 TJ

**Governor 30RH (DGD)
Figure 30RH-610**



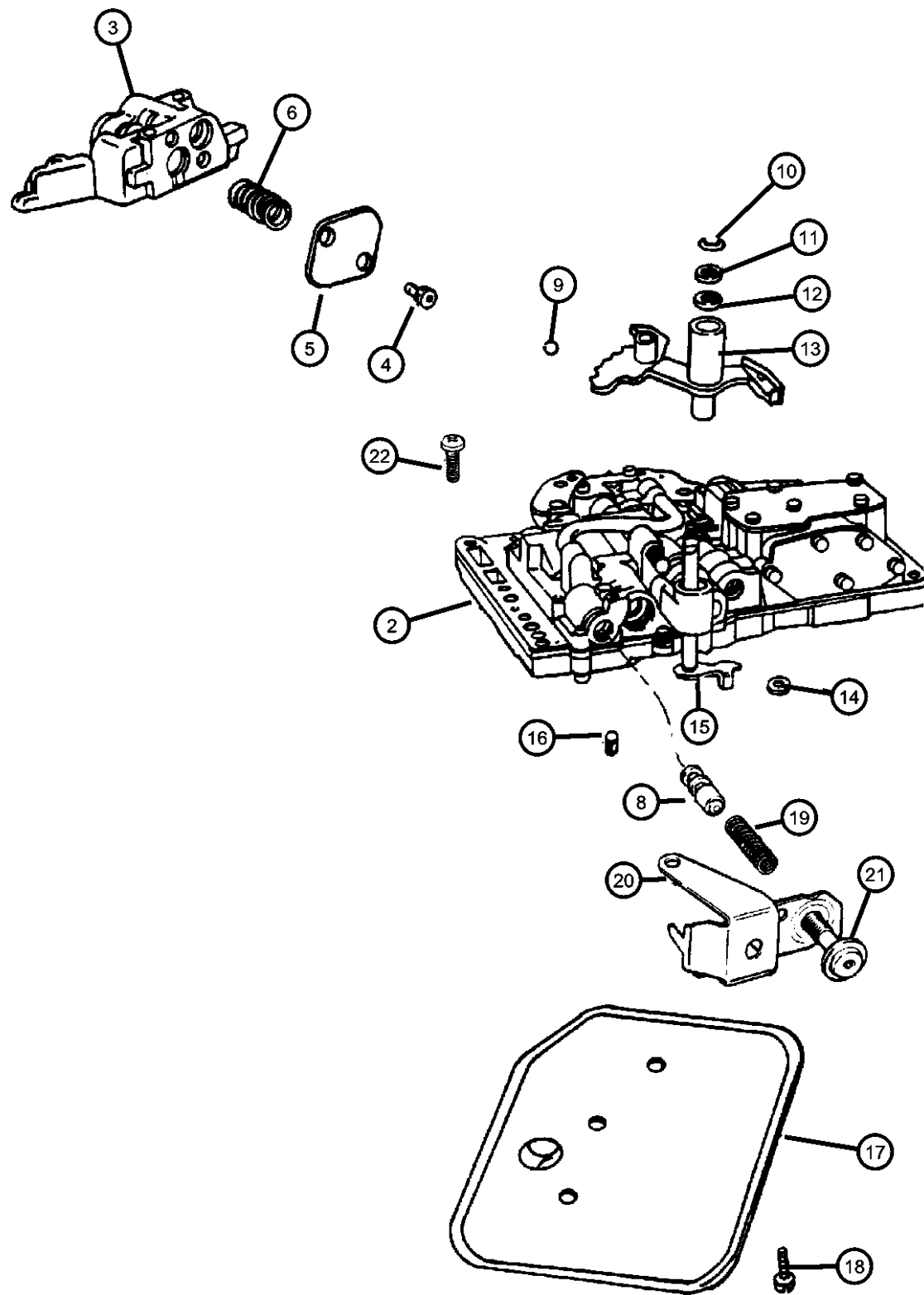
ITEM	PART NUMBER	QTY	LINE	SERIES	BODY	ENGINE	TRANS	TRIM	DESCRIPTION
-1	04883956AB	1					DGD		GASKET AND SEAL PACKAGE, Governor
-2	04728460	1					DGD		BODY PACKAGE, Governor
3	04728460	1							BODY, Governor, (NOT SERVICED)
-4	52117938	1					DGD		WEIGHT KIT, Transmission Governor
5	52117938	1							INNER, Inner, (NOT SERVICED)
6	52117938	1							SPRING, Governor Valve, (NOT SERVICED)
7	52117938	1							WEIGHT, Governor, (NOT SERVICED)
8	01942109	1					DGD		SEAL, Governor
9	03743518	1					DGD		SUPPORT, Governor
10	01638461	2					DGD		SNAP RING
11	06031392	1					DGD		SNAP RING, Brake Master Cylinder
12	06034723	1					DGD		SNAP RING, Governor, .675 x .025
13	06031613	2					DGD		BOLT, Hex Head, .25-20x.68
-14	06034788	2					DGD		BOLT, Hex Head, .25-20x1.33
15	06027271	1					DGD		SNAP RING, Governor, 1.156
16	01556082	1					DGD		SHAFT, Governor
17	04617064	1					DGD		VALVE, Governor
18	03743519	1					DGD		FILTER, Transmission Governor
19	04617799	1					DGD		SPACER, Output Shaft
20	06025668	1					DGD		SNAP RING, 1.150" Free Diameter
21	04130537	1					DGD		BEARING, Output Shaft
22	06032739	1					DGD		O RING, Output Shaft Bearing, Transmission
23	06025668	1					DGD		SNAP RING, 1.150" Free Diameter

Note:
DGD = 3 Speed Automatic Transmission 30RH
DG0 = All Automatic Transmissions
EPE = 2.5L SMPI Magnum 4 Cyl Engine
EP0 = All 2.5L 4 Cyl Gas Engines

WRANGLER (TJ)				
SERIES	LINE	BODY	ENGINE	TRANSMISSION
H = Sport	J = Wrangler 4WD	77 = 93.4 WB	EPE = ENGINE - 2.5L POWER TECH I-4 Cyl.	DDD = TRANSMISSION - 5-SPEED HD MANUAL
L = SE	U = Wrangler 4WD (RHD)		ERH = ENGINE - 4.0L POWER TECH I-6	DDQ = TRANSMISSION - 5-SPEED MANUAL
P = Sahara				DGD = TRANSMISSION - 3-SPD. AUTOMATIC,30RH
				DGG = TRANSMISSION - 3-SPD. AUTOMATIC,32RH
				DG0 = All Automatic Transmissions
				DBB = All Manual Transmissions
				DD0 = All 5 Speed Manual Transmissions

AR = use ase required - = Non illustrated part

**Valve Body 30RH (DGD)
Figure 30RH-710**



ITEM	PART NUMBER	QTY	LINE	SERIES	BODY	ENGINE	TRANS	TRIM	DESCRIPTION
-1	04713105AB	1					DGD		GASKET AND SEAL PACKAGE, Valve Body
2	52118596	1					DGD		BODY, Transfer Plate
3	52118596	1							BODY, Transfer Plate, (NOT SERVICED)
4	52118596	1							SCREW, Pan Head, .19-24x.440, (NOT SERVICED)
5	52118596	1							PLATE, (NOT SERVICED)
6	52118596	1							SPRING, Lock Up Valve, (NOT SERVICED)
-7	52118596	1							SCREW AND WASHER, Hex Flange Head, .190-24x1.54, (NOT SERVICED)
8	04505036	1					DGD		VALVE, Trans Lockup Switch
9	00147488	1					DGD		BALL, Manual Lever Detent, .343 Diameter
10	06035208	1					DGD		SNAP RING
11	02538062	1					DGD		WASHER, Manual Valve Lever
12	02466548	1					DGD		SEAL, Valve Lever Shift
13	04617437	1					DGD		LEVER, Manual Valve
14	04505098	1					DGD		SEAL, Manual Shift Valve, 1.25 OD
15	03681227	1					DGD		LEVER, Throttle Valve
16	03878313	1					DGD		SCREEN, Transmission Regulator Valve
17	03515996	1					DGD		FILTER, Valve Body
18	06033826	3					DGD		SCREW AND WASHER, Oil Filter Mounting, Fillester Head .190-24x2.500
19	04130492	1					DGD		SPRING, Switch Valve
20	04130492	1							BRACKET, (NOT SERVICED)
21	06030609	1					DGD		SCREW, Cap Head Lock, .312-24x1.25

Note:

DGD = 3 Speed Automatic Transmission 30RH
 DG0 = All Automatic Transmissions
 EPE = 2.5L SMPi Magnum 4 Cyl Engine
 EP0 = All 2.5L 4 Cyl Gas Engines

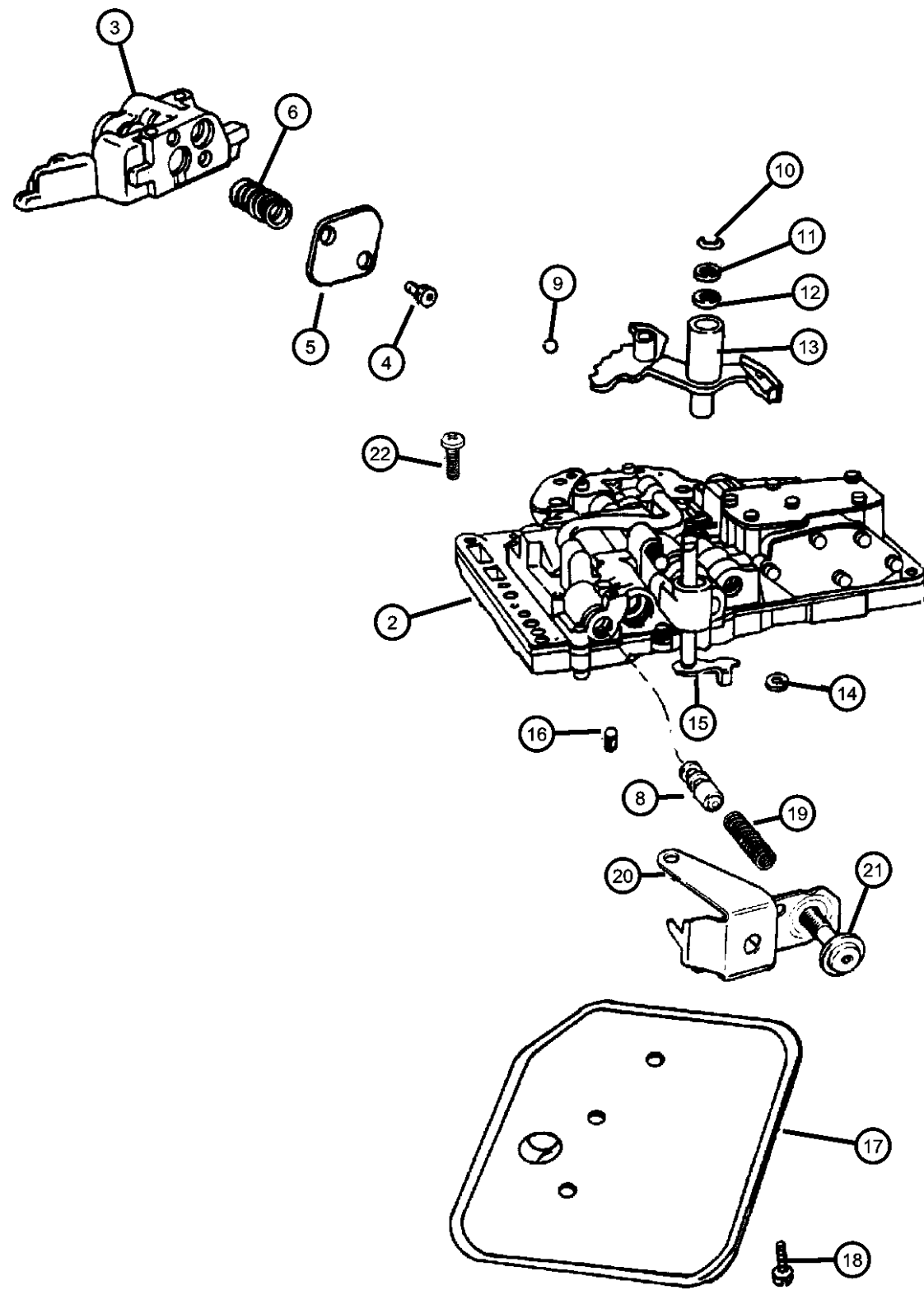
WRANGLER (TJ)

SERIES	LINE	BODY
H = Sport	J = Wrangler 4WD	77 = 93.4 WB
L = SE	U = Wrangler 4WD (RHD)	
P = Sahara		

ENGINE	TRANSMISSION
EPE = ENGINE - 2.5L POWER TECH I-4 Cyl.	DDD = TRANSMISSION - 5-SPEED HD MANUAL
ERH = ENGINE - 4.0L POWER TECH I-6	DDQ = TRANSMISSION - 5-SPEED MANUAL
	DGD = TRANSMISSION - 3-SPD. AUTOMATIC, 30RH
	DGG = TRANSMISSION - 3-SPD. AUTOMATIC, 32RH
	DG0 = All Automatic Transmissions
	DBB = All Manual Transmissions
	DD0 = All 5 Speed Manual Transmissions

AR = use ase required - = Non illustrated part

Valve Body 30RH (DGD)
Figure 30RH-710



ITEM	PART NUMBER	QTY	LINE	SERIES	BODY	ENGINE	TRANS	TRIM	DESCRIPTION
22	06030609	1							SCREW, (NOT SERVICED)
-23	04348907	1					DGD		SPRING, Limit Valve

WRANGLER (TJ)

SERIES LINE
H = Sport J = Wrangler 4WD
L = SE U = Wrangler 4WD (RHD)
P = Sahara

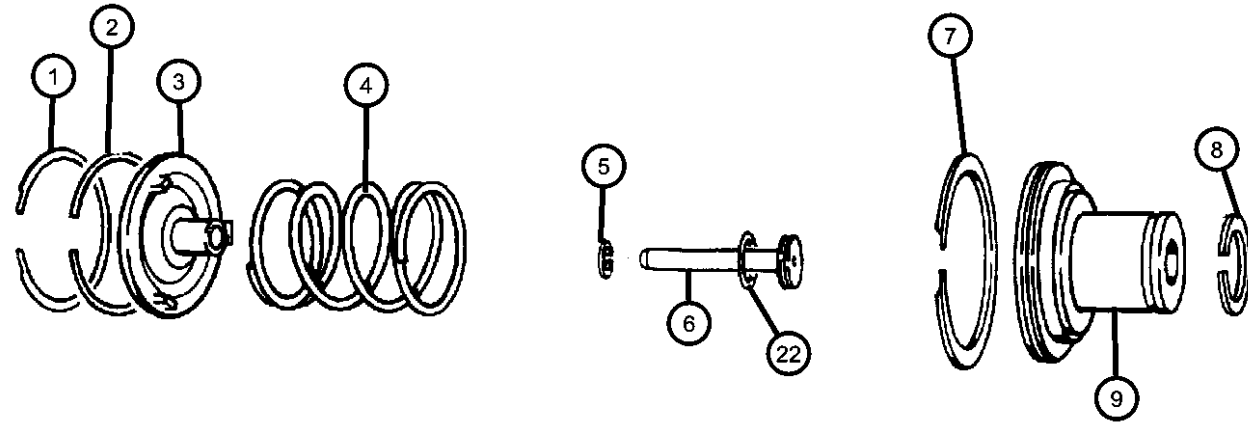
BODY
77 = 93.4 WB

ENGINE
EPE = ENGINE - 2.5L POWER
TECH I-4 Cyl.
ERH = ENGINE - 4.0L
POWER TECH I-6

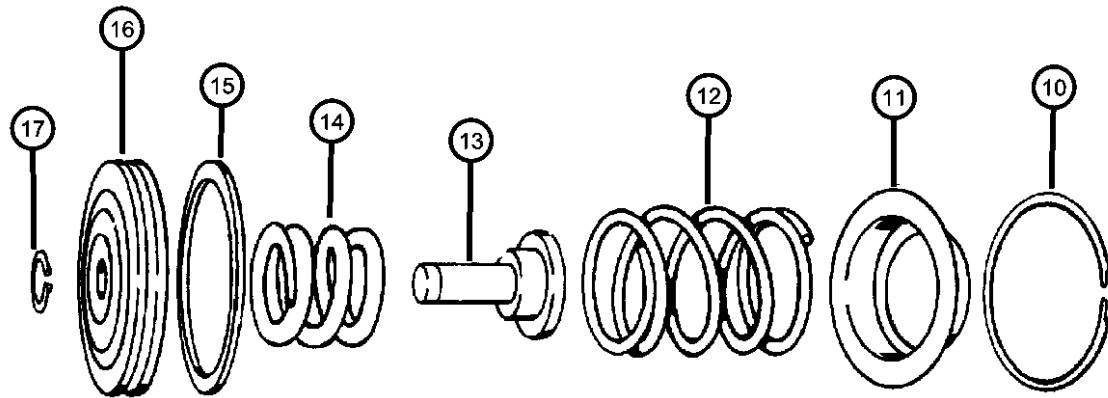
TRANSMISSION
DDD = TRANSMISSION - 5-SPEED
HD MANUAL
DDQ = TRANSMISSION - 5-SPEED
MANUAL
DGD = TRANSMISSION - 3-SPD.
AUTOMATIC,30RH
DGG = TRANSMISSION - 3-SPD.
AUTOMATIC,32RH
DGO = All Automatic Transmissions
DBB = All Manual Transmissions
DDO = All 5 Speed Manual
Transmissions

AR = use ase required - = Non illustrated part

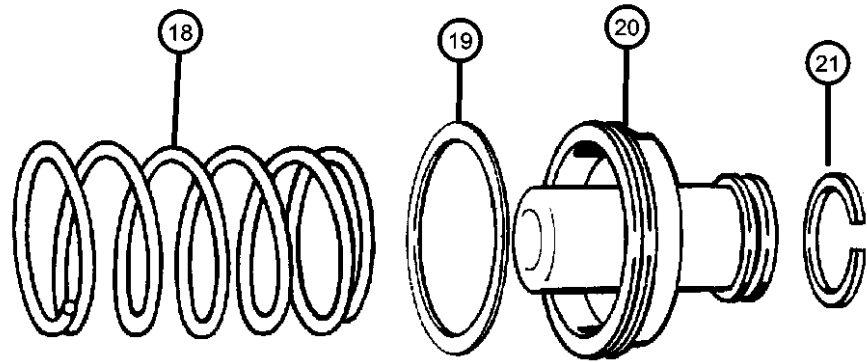
Servos 30RH (DGD)
Figure 30RH-720



KICKDOWN SERVO



LOW AND REVERSE SERVO



ACCUMULATOR PISTON AND SPRING

ITEM	PART NUMBER	QTY	LINE	SERIES	BODY	ENGINE	TRANS	TRIM	DESCRIPTION
1	01942486	1					DGD		SNAP RING
2	03743014	1					DGD		SEAL, Kickdown Servo
3	01942485	1					DGD		GUIDE, Kickdown Servo
4	01942485	1							SPRING, Kickdown Servo Piston, (NOT SERVICED)
5	06031392	1					DGD		SNAP RING, Brake Master Cylinder
6	04058943	1					DGD		ROD, Kickdown Servo Piston
7	03743014	1					DGD		SEAL, Kickdown Servo
8	01636470	1					DGD		SEAL, Servo Piston
9	04058942	1					DGD		PISTON, Kickdown Servo
10	02464464	1					DGD		SNAP RING
11	02464463	1					DGD		RETAINER, Transmission Rear Clutch
12	02801274	1					DGD		SPRING, Reverse Servo Piston
13	52118741	1					DGD		PLUG, Reverse Servo Piston
14	03743580	1					DGD		SPRING, Reverse Servo Piston
15	04202864	1					DGD		SEAL, Reverse Servo Piston
16	52118744	1					DGD		PISTON, Reverse Servo
17	06027153	1					DGD		SNAP RING, .435 ID
18	04531259	1					DGD		SPRING, Transmission Accumulator
19	03743013	1					DGD		SEAL, Piston Accumulator
20	03743650	1					DGD		PISTON, Accumulator
21	03743010	1					DGD		SEAL, Piston Accumulator
22	06031410	1					DGD		O RING, Trans Kickdown Servo

Note:
DGD = 3 Speed Automatic Transmission 30RH
DGO = All Automatic Transmissions
EPE = 2.5L SMPi Magnum 4 Cyl Engine
EPO = All 2.5L 4 Cyl Gas Engines

WRANGLER (TJ)

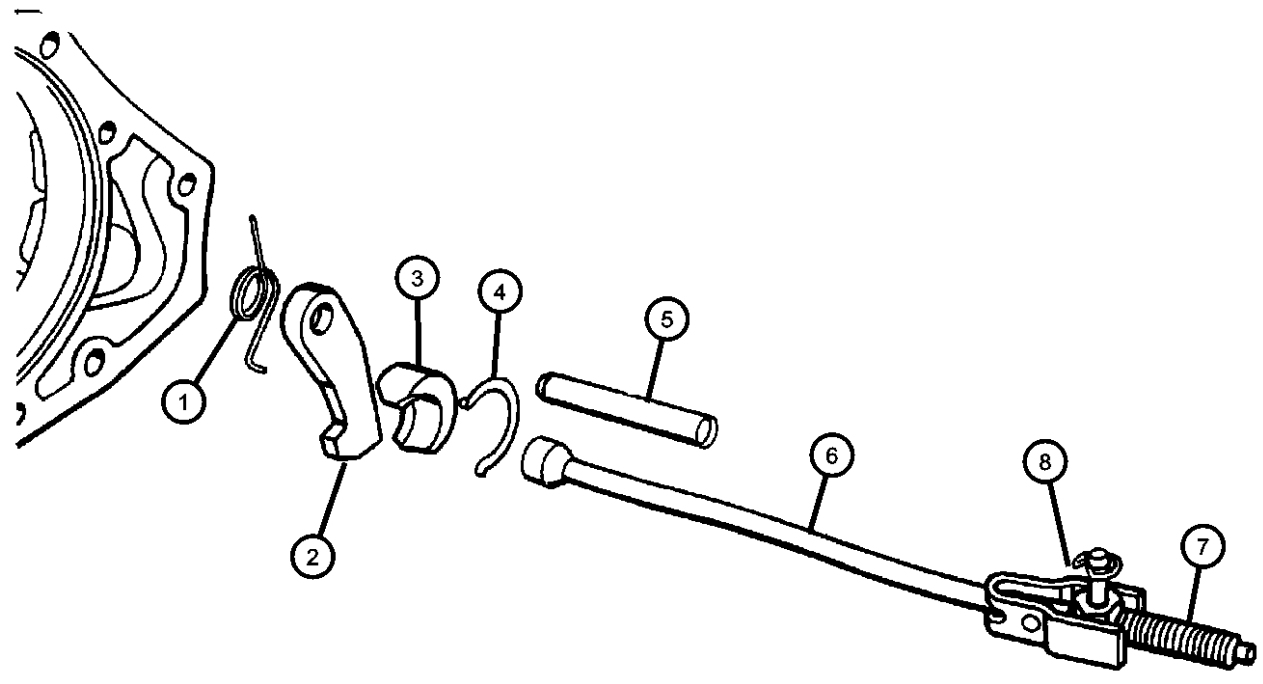
SERIES LINE BODY
H = Sport J = Wrangler 4WD 77 = 93.4 WB
L = SE U = Wrangler 4WD (RHD)
P = Sahara

BODY
77 = 93.4 WB

ENGINE
EPE = ENGINE - 2.5L POWER TECH I-4 Cyl.
ERH = ENGINE - 4.0L POWER TECH I-6

TRANSMISSION
DDD = TRANSMISSION - 5-SPEED HD MANUAL
DDQ = TRANSMISSION - 5-SPEED MANUAL
DGD = TRANSMISSION - 3-SPD. AUTOMATIC, 30RH
DGG = TRANSMISSION - 3-SPD. AUTOMATIC, 32RH
DGO = All Automatic Transmissions
DBB = All Manual Transmissions
DD0 = All 5 Speed Manual Transmissions

**Parking Sprag 30RH (DGD)
Figure 30RH-730**



ITEM	PART NUMBER	QTY	LINE	SERIES	BODY	ENGINE	TRANS	TRIM	DESCRIPTION
Note: DGD = 3 Speed Automatic Transmission 30RH DG0 = All Automatic Transmissions EPE = 2.5L SMPI Magnum 4 Cyl Engine EP0 = All 2.5L 4 Cyl Gas Engines									
1	02466909	1					DGD		SPRING, Parking Sprag
2	04471415	1					DGD		SPRAG, Transmission Parking
3	02538042	1					DGD		PLUG, Parking Sprag
4	02538034	1					DGD		SNAP RING, Transmission
5	02466892	1					DGD		SHAFT, Parking Sprag
6	02466906	1					DGD		ROD, Parking Sprag
7	02466906	1							SPRING, Parking Sprag Return, (NOT SERVICED)
8	06035256	1					DGD		SNAP RING, Rod

WRANGLER (TJ)

SERIES	LINE	BODY	ENGINE	TRANSMISSION
H = Sport	J = Wrangler 4WD	77 = 93.4 WB	EPE = ENGINE - 2.5L POWER TECH I-4 Cyl.	DDD = TRANSMISSION - 5-SPEED HD MANUAL
L = SE	U = Wrangler 4WD (RHD)		ERH = ENGINE - 4.0L POWER TECH I-6	DDQ = TRANSMISSION - 5-SPEED MANUAL
P = Sahara				DGD = TRANSMISSION - 3-SPD. AUTOMATIC,30RH
				DGG = TRANSMISSION - 3-SPD. AUTOMATIC,32RH
				DG0 = All Automatic Transmissions
				DBB = All Manual Transmissions
				DD0 = All 5 Speed Manual Transmissions

AR = use ase required - = Non illustrated part

**Gearshift Controls 30RH (DGD)
Figure 30RH-1230**

ITEM	PART NUMBER	QTY	LINE	SERIES	BODY	ENGINE	TRANS	TRIM	DESCRIPTION
------	-------------	-----	------	--------	------	--------	-------	------	-------------

Note:
 DBB = All Manual Transmissions
 DG0 = All Automatic Transmissions
 EPE = 2.5L SMPI Magnum 4 Cyl Engine
 EP0 = All 2.5L 4 Cyl Gas Engines
 ERH = 4.0L Power Tech Engine
 ER0 = All 4.0L 6 Cyl Gas Engines

1	52104028	1					DG0		HANDLE, Gearshift
2	53000211	1					DG0		BUTTON, Gearshift Knob
3	53000865	1					DG0		LEVER, Gearshift
4	53000866	1					DG0		SPRING, Button Return
5	52077561	1					DG0		CAP, Gearshift Handle Button
6	06501648	4					DG0		SCREW, Hex Flange Head, M8x1.25x25.00
7									BEZEL AND DIAL, Gearshift Lever
	55115570AB	1	J				DG0		
	55115571AB	1	U				DG0		
8	52104144	1					DG0		CABLE, Park Interlock
9									SEAL, Shift Housing
	53000659	1	J				DG0		
		1	U				DG0		RHD
10									HOUSING, Shift Lever
	52078551AB	1	J				DG0		
	52078841AB	1	U				DG0		
11	52104142	1					DG0		CABLE, Shift
12	53000704	1					DG0		COVER, Gearshift
13	J4001701	9					DBB		SCREW, Hex Self Tapping, .19-16x.50
14	04641780	1				EP0, ER0	DG0		STRAP, Tie
15	52078255	1					DG0		BRACKET, Shift Cable
16	52078255	1							SCREW AND WASHER, Truss Head, .312-18x.750, (NOT SERVICED)
17	52079168AB	1				EP0, ER0	DG0		LEVER, Manual Control

WRANGLER (TJ)

SERIES	LINE	BODY
H = Sport	J = Wrangler 4WD	77 = 93.4 WB
L = SE	U = Wrangler 4WD (RHD)	
P = Sahara		

BODY
77 = 93.4 WB

ENGINE
 EPE = ENGINE - 2.5L POWER
 TECH I-4 Cyl.
 ERH = ENGINE - 4.0L
 POWER TECH I-6

TRANSMISSION
 DDD = TRANSMISSION - 5-SPEED
 HD MANUAL
 DDQ = TRANSMISSION - 5-SPEED
 MANUAL
 DGD = TRANSMISSION - 3-SPD.
 AUTOMATIC,30RH
 DGG = TRANSMISSION - 3-SPD.
 AUTOMATIC,32RH
 DG0 = All Automatic Transmissions
 DBB = All Manual Transmissions
 DD0 = All 5 Speed Manual
 Transmissions

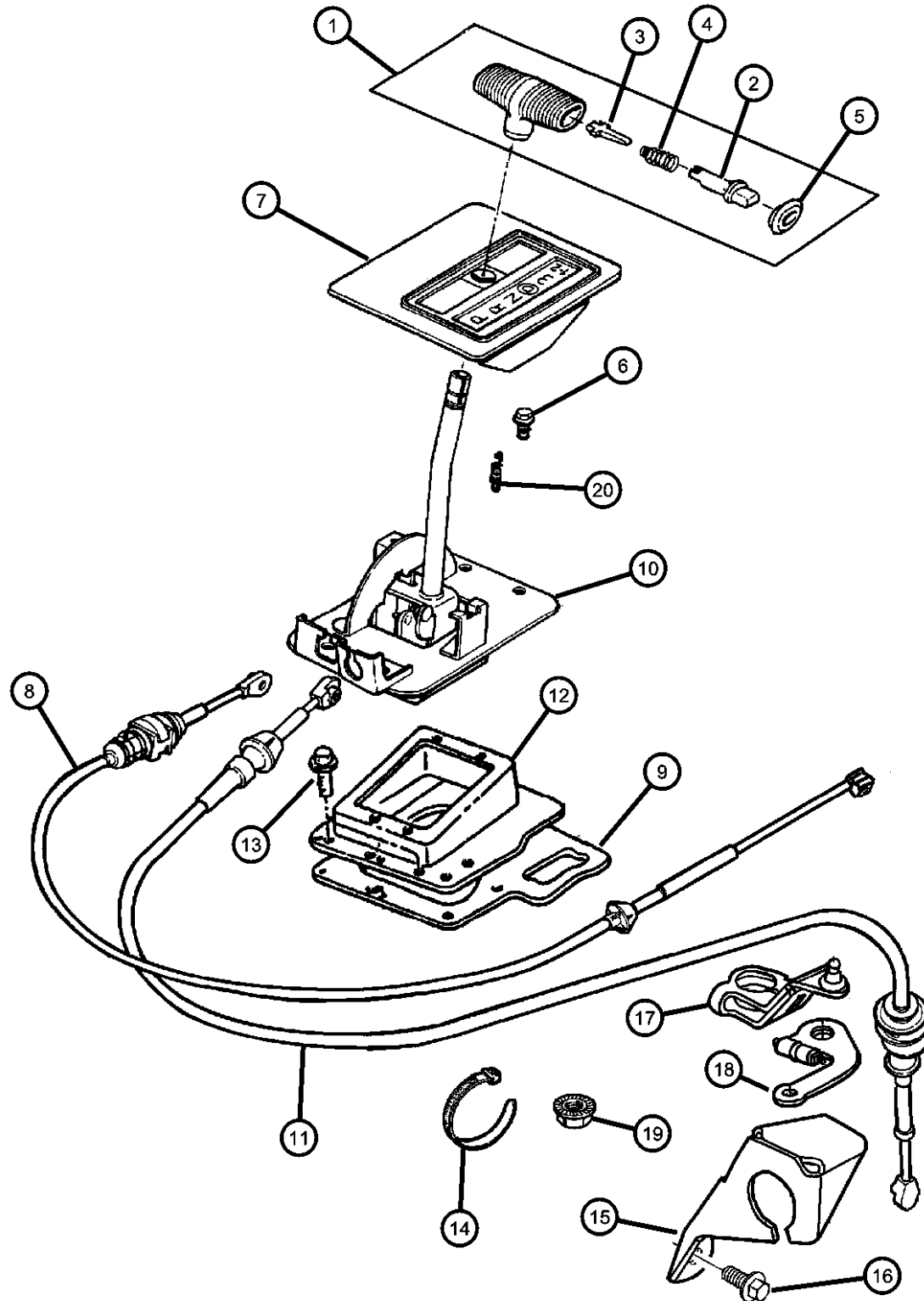
AR = use ase required - = Non illustrated part

2000 TJ

**Gearshift Controls 30RH (DGD)
Figure 30RH-1230**

ITEM	PART NUMBER	QTY	LINE	SERIES	BODY	ENGINE	TRANS	TRIM	DESCRIPTION
------	-------------	-----	------	--------	------	--------	-------	------	-------------

18	03681227	1					DGD		LEVER, Throttle Valve
19	06028114	1					DG0		NUT, Hex, .437-14
20	06028114	1							SPRING, Pawl Return, (NOT SERVICED)



WRANGLER (TJ)

SERIES	LINE
H = Sport	J = Wrangler 4WD
L = SE	U = Wrangler 4WD (RHD)
P = Sahara	

BODY
77 = 93.4 WB

ENGINE
EPE = ENGINE - 2.5L POWER
TECH I-4 Cyl.
ERH = ENGINE - 4.0L
POWER TECH I-6

TRANSMISSION
DDD = TRANSMISSION - 5-SPEED
HD MANUAL
DDQ = TRANSMISSION - 5-SPEED
MANUAL
DGD = TRANSMISSION - 3-SPD.
AUTOMATIC,30RH
DGG = TRANSMISSION - 3-SPD.
AUTOMATIC,32RH
DG0 = All Automatic Transmissions
DBB = All Manual Transmissions
DD0 = All 5 Speed Manual
Transmissions

AR = use ase required - = Non illustrated part

2000 TJ

Group - 32RH

Automatic Transmission 3 Speed

Group - 32RH Automatic Transmission 3 Speed

Illustration Title

Group-Fig. No.

Transmission Assembly

Transmission 32RH (DGG)..... Fig. 32RH - 110

Case and Extension

Case and Related Parts 32RH (DGG)..... Fig. 32RH - 210

Oil Pump

Oil Pump 32RH (DGG) Fig. 32RH - 310

Gear Train

Clutch, Front and Rear 32RH (DGG) Fig. 32RH - 410

Output Shaft 32RH (DGG)..... Fig. 32RH - 420

Bands, Reverse and Kickdown

Bands 32RH (DGG)..... Fig. 32RH - 510

Governor

Governor 32RH (DGG) Fig. 32RH - 610

Valve Body

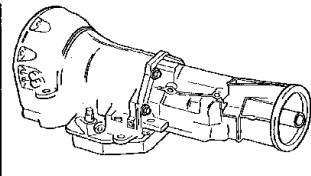
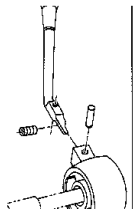
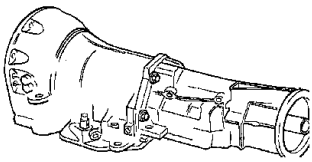

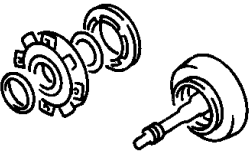
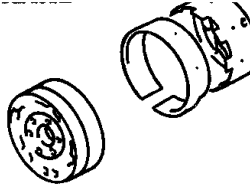
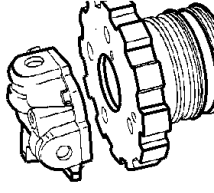
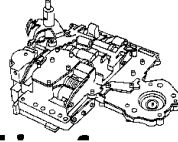
Valve Body 32RH (DGG) Fig. 32RH - 710

Servos 32RH (DGG) Fig. 32RH - 720

Parking Sprag 32RH (DGG)..... Fig. 32RH - 730

Gearshift Controls

Gearshift Controls 32RH (DGG) Fig. 32RH - 1230

<p>32RH-100 Transmission Assembly</p> 	<p>32RH-1200 Gearshift Controls</p> 	<p>32RH-200 Case and Extension</p> 	<p>32RH-300 Oil Pump</p> 
<p>32RH-400 Gear Train</p> 	<p>32RH-500 Bands, Reverse and Kickdown</p> 	<p>32RH-600 Governor</p> 	<p>32RH-700 Valve Body</p> 

Transmission 32RH (DGG)
Figure 32RH-110

T67-110

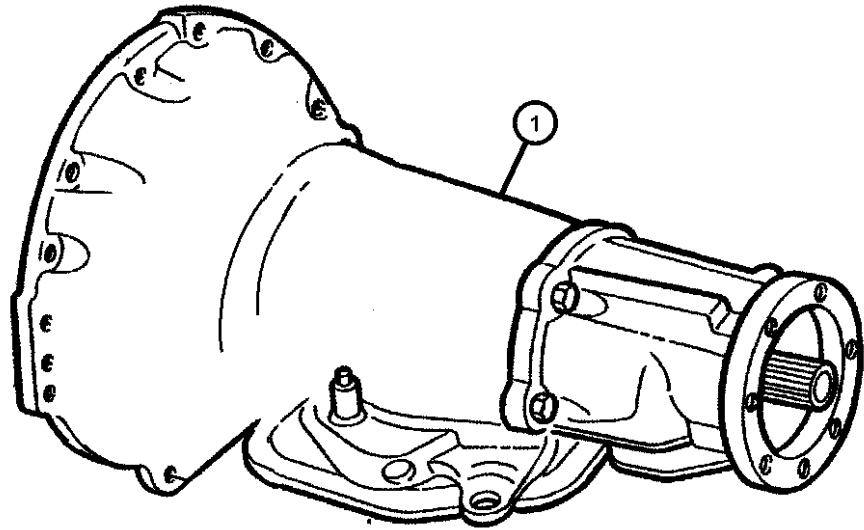
ITEM	PART NUMBER	QTY	LINE	SERIES	BODY	ENGINE	TRANS	TRIM	DESCRIPTION
------	-------------	-----	------	--------	------	--------	-------	------	-------------

Note:
DGG = 3 Speed Automatic Transmission 32RH
DG0 = All Automatic Transmissions
ERH = 4.0L Power Tech Engine
ER0 = All 4.0L 6 Cyl Gas Engines

1 05015271AA 1

DGG

TRANSMISSION PACKAGE,
52119833AA(Package Contains
52119833AA Transmission,
K4736596 Converter, K1949765
Bolts.)



WRANGLER (TJ)

SERIES LINE BODY
H = Sport J = Wrangler 4WD 77 = 93.4 WB
L = SE U = Wrangler 4WD (RHD)
P = Sahara

ENGINE TRANSMISSION
EPE = ENGINE - 2.5L POWER TECH I-4 Cyl. DDD = TRANSMISSION - 5-SPEED HD MANUAL
ERH = ENGINE - 4.0L DDQ = TRANSMISSION - 5-SPEED MANUAL
POWER TECH I-6 DGD = TRANSMISSION - 3-SPD. AUTOMATIC,30RH
DGG = TRANSMISSION - 3-SPD. AUTOMATIC,32RH
DG0 = All Automatic Transmissions
DBB = All Manual Transmissions
DD0 = All 5 Speed Manual Transmissions

AR = use ase required - = Non illustrated part

2000 TJ

Case and Related Parts 32RH (DGG)
Figure 32RH-210

ITEM	PART NUMBER	QTY	LINE	SERIES	BODY	ENGINE	TRANS	TRIM	DESCRIPTION
------	-------------	-----	------	--------	------	--------	-------	------	-------------

Note:
DDK = 5 Speed Heavy Duty Transmission
DGG = 3 Speed Automatic Transmission 32RH
DG0 = All Automatic Transmissions
EPE = 2.5L SMPi Magnum 4 Cyl Engine
EP0 = All 2.5L 4 Cyl Gas Engines
ERH = 4.0L Power Tech Engine
ER0 = All 4.0L 6 Cyl Gas Engines

-1	04883957AC	1					DGG		SEAL AND GASKET PACKAGE, Transmission
2									TUBE, Transmission Oil Filler
	52104243AC	1				ER0	DG0		
	52104244AB	1				EP0	DG0		
3	52104240AB	1				EP0, ER0	DG0		INDICATOR, Transmission Fluid Level
4	52118629AB	1				EP0, ER0	DG0		SEAL, Oil Filler Tube
5	52118344	1					DGG		CASE, Transmission
6	04431433	1					DGG		SUPPORT, Output Shaft
7	52118076	1					DGG		ADAPTER, Transmission
8	04269956	1					DGG		SEAL, Adapter
9	06030849	5					DGG		SCREW AND WASHER, Hex Head Locking, .375-16x1.375
10	06028095	1					DGG		PLUG, Pressure Check
11	06033480	1					DGG		SNAP RING, Reverse Drum
12	04295875	1					DGG		GASKET, Oil Pan
13	56028181AB	1					DGG		SWITCH, Neutral, Safety, Back Up
14	02466954	1					DGG		GASKET, Transmission Case
15	06036141AA	1					DGG		SCREW
16	52028471	1					DGG		CONNECTOR, Oil Cooler Tube, .375 Tube x .25 Thread
17	04505098	1					DGG		SEAL, Manual Shift Valve, 1.25 OD
18	00124934	1					DGG		NUT, Hex Jam, .50-20
19	52118802	1					DGG		PAN, Transmission Oil
20	04723548	14					DGG		SCREW AND WASHER, Hex Head, .312-18x.625

WRANGLER (TJ)

SERIES LINE BODY
H = Sport J = Wrangler 4WD 77 = 93.4 WB
L = SE U = Wrangler 4WD (RHD)
P = Sahara

BODY
77 = 93.4 WB

ENGINE
EPE = ENGINE - 2.5L POWER TECH I-4 Cyl.
ERH = ENGINE - 4.0L POWER TECH I-6

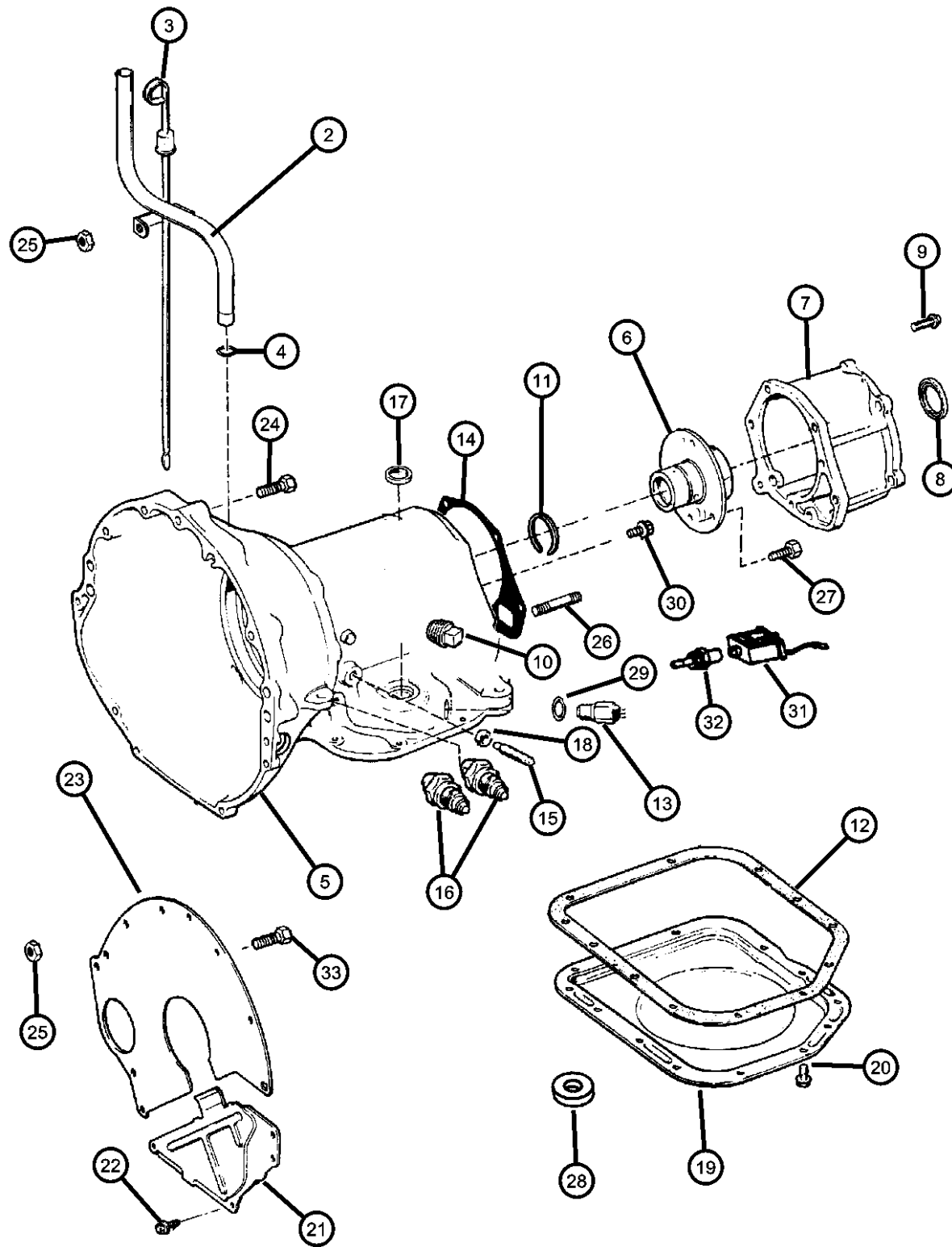
TRANSMISSION
DDD = TRANSMISSION - 5-SPEED HD MANUAL
DDQ = TRANSMISSION - 5-SPEED MANUAL
DGD = TRANSMISSION - 3-SPD. AUTOMATIC, 30RH
DGG = TRANSMISSION - 3-SPD. AUTOMATIC, 32RH
DG0 = All Automatic Transmissions
DBB = All Manual Transmissions
DD0 = All 5 Speed Manual Transmissions

AR = use ase required - = Non illustrated part

2000 TJ

Case and Related Parts 32RH (DGG)
Figure 32RH-210

ITEM	PART NUMBER	QTY	LINE	SERIES	BODY	ENGINE	TRANS	TRIM	DESCRIPTION
21	52118136AB	1				ER0	DG0		COVER, Converter
22	06035031	3				ER0	DG0		SCREW AND WASHER, Hex Head, .312-18x.625
23	J3237847	1				ER0	DG0		SPACER, Clutch Housing
24	J4004370	2				ER0	DG0		BOLT AND WASHER, Hex Head, .437-14x2.75
25	J0219422	2				ER0	DG0		NUT, Hex
26	06033157	1					DGG		STUD, .375-16x2.312
27	06033479	6					DGG		BOLT, Hex Head, .25-28x1-5/8
28	03681601	1					DGG		MAGNET, Transmission
29	02408143	1					DG0		WASHER, Switch
30	06033616	5					DGG		SCREW, Hex Flange Head, .25-28x.875
31	52118595	1					DGG		SOLENOID, Transmission
32	56038235	1					DGG		CONNECTOR, Wiring
33	00153371	2				ER0	DG0		BOLT, Hex Head, .375-16x2.25



WRANGLER (TJ)

SERIES LINE
H = Sport J = Wrangler 4WD
L = SE U = Wrangler 4WD (RHD)
P = Sahara

BODY
77 = 93.4 WB

ENGINE
EPE = ENGINE - 2.5L POWER TECH I-4 Cyl.
ERH = ENGINE - 4.0L POWER TECH I-6

TRANSMISSION
DDD = TRANSMISSION - 5-SPEED HD MANUAL
DDQ = TRANSMISSION - 5-SPEED MANUAL
DGD = TRANSMISSION - 3-SPD. AUTOMATIC, 30RH
DGG = TRANSMISSION - 3-SPD. AUTOMATIC, 32RH
DG0 = All Automatic Transmissions
DBB = All Manual Transmissions
DD0 = All 5 Speed Manual Transmissions

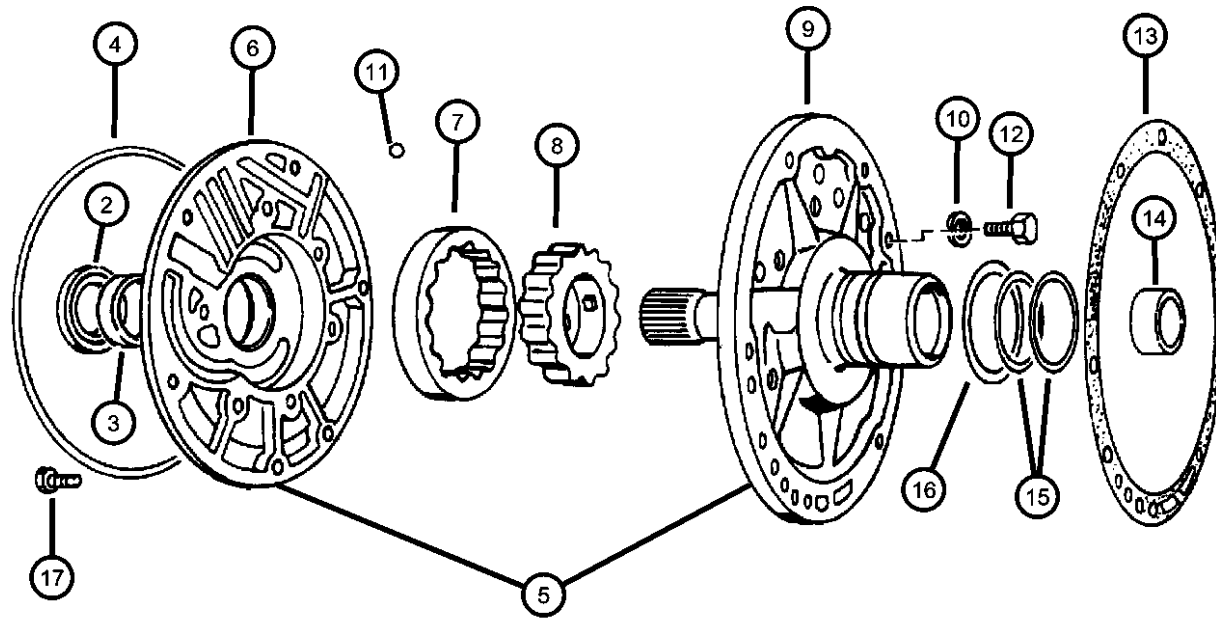
AR = use ase required - = Non illustrated part

**Oil Pump 32RH (DGG)
Figure 32RH-310**

ITEM	PART NUMBER	QTY	LINE	SERIES	BODY	ENGINE	TRANS	TRIM	DESCRIPTION
-1	04713108AB	1					DGG		GASKET AND SEAL PACKAGE, Transmission Oil Pump
2	04412475	1					DGG		SEAL, Impeller Hub, 57.25mm OD
3	02466796	1					DGG		BUSHING, Front Pump
4	02204709	1					DGG		SEAL, Front Pump Housing
5	04778552	1					DGG		PUMP, Transmission Oil
6	04778552	1							HOUSING, Pump, (NOT SERVICED)
7	04778552	1							ROTOR, Oil Pump, (NOT SERVICED)
8	04778552	1							ROTOR, Oil Pump, (NOT SERVICED)
9	04778552	1							SHAFT, Oil Pump, (NOT SERVICED)
10	04778552	1							WASHER, (NOT SERVICED)
11	04778552	1							BALL, Valve Body Check, (NOT SERVICED)
12	00179815	6					DGG		SCREW, Hex Head, .312-18x.687
13	52118266	1					DGG		GASKET, Transmission Oil Pump
14	04028545	1					DGG		BUSHING, Reaction Shaft
15	04471874	2					DGG		SEAL, Ring Reaction Support, 2 1/16 O.D.
16	04617786	1					DGG		THRUST WASHER, Front Clutch
17	06023943	6					DGG		SCREW AND WASHER, Hex Flange Head, .312-18x1.375

Note:

DGG = 3 Speed Automatic Transmission 32RH
 DG0 = All Automatic Transmissions
 ERH = 4.0L Power Tech Engine
 ER0 = All 4.0L 6 Cyl Gas Engines



WRANGLER (TJ)

SERIES LINE
 H = Sport J = Wrangler 4WD
 L = SE U = Wrangler 4WD (RHD)
 P = Sahara

BODY
 77 = 93.4 WB

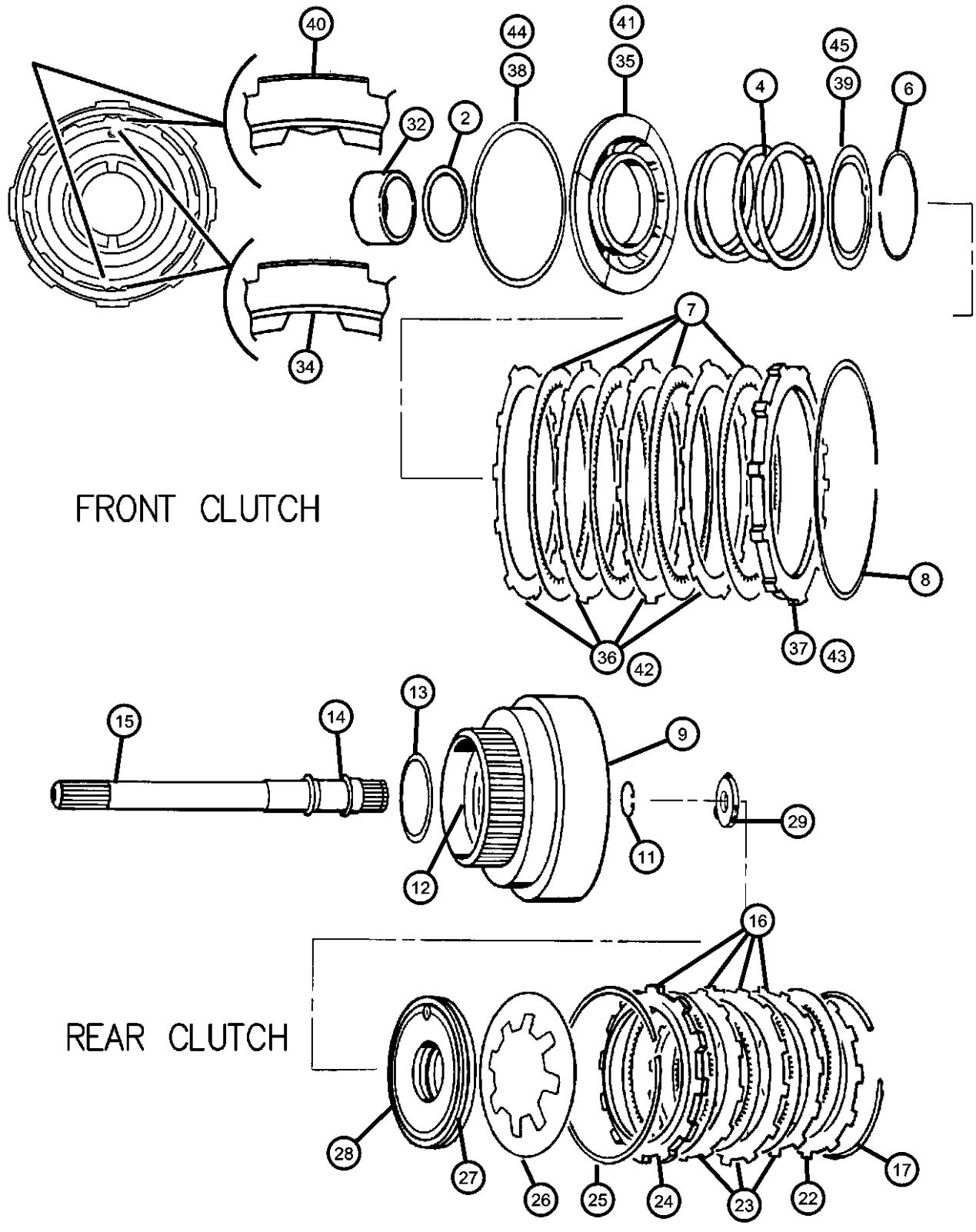
ENGINE
 EPE = ENGINE - 2.5L POWER
 TECH I-4 Cyl.
 ERH = ENGINE - 4.0L
 POWER TECH I-6

TRANSMISSION
 DDD = TRANSMISSION - 5-SPEED
 HD MANUAL
 DDQ = TRANSMISSION - 5-SPEED
 MANUAL
 DGD = TRANSMISSION - 3-SPD.
 AUTOMATIC,30RH
 DGG = TRANSMISSION - 3-SPD.
 AUTOMATIC,32RH
 DG0 = All Automatic Transmissions
 DBB = All Manual Transmissions
 DD0 = All 5 Speed Manual
 Transmissions

AR = use ase required - = Non illustrated part

2000 TJ

Clutch, Front and Rear 32RH (DGG)
Figure 32RH-410



FRONT CLUTCH

REAR CLUTCH

ITEM	PART NUMBER	QTY	LINE	SERIES	BODY	ENGINE	TRANS	TRIM	DESCRIPTION
------	-------------	-----	------	--------	------	--------	-------	------	-------------

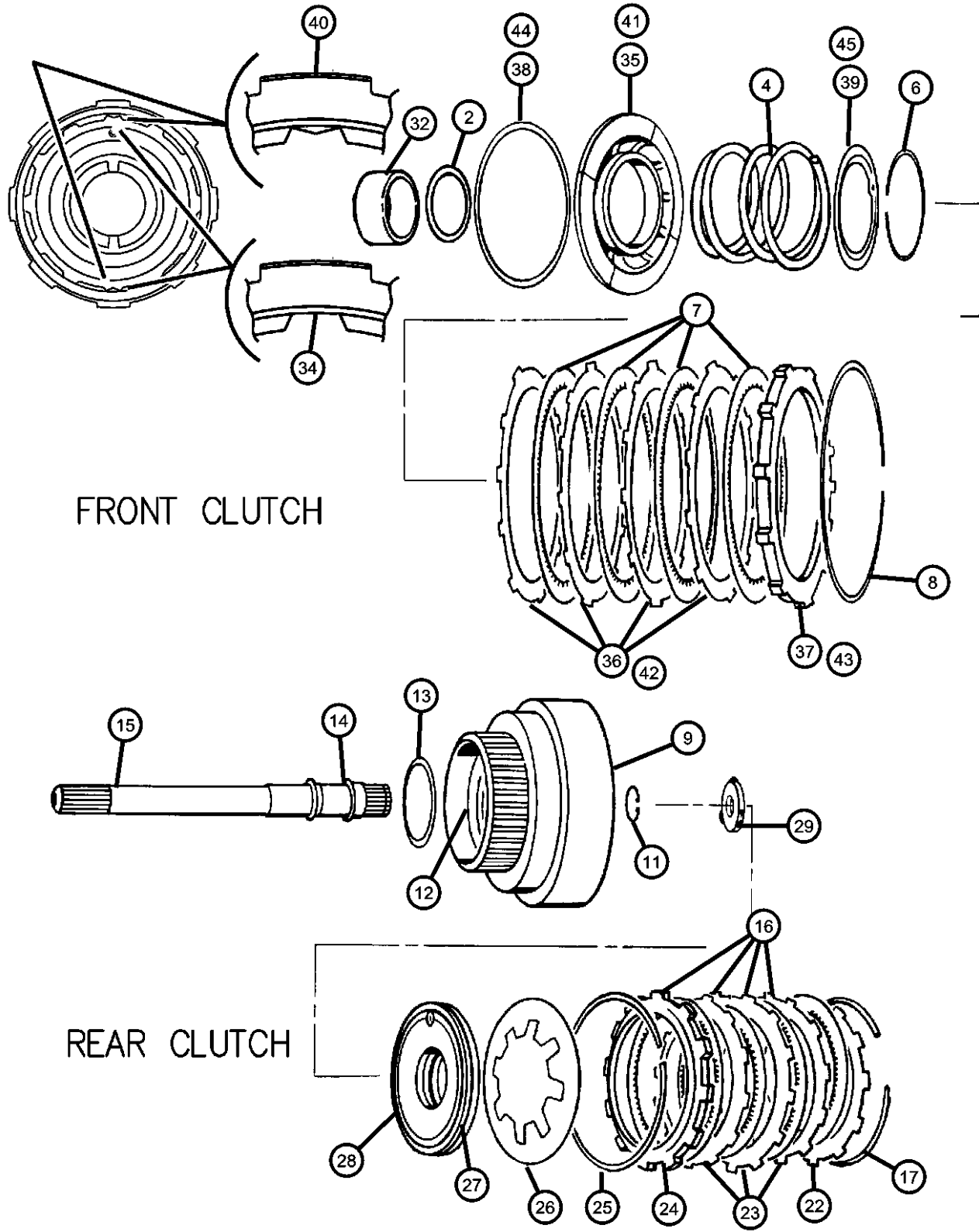
Note:
DGG = 3 Speed Automatic Transmission 32RH
DG0 = All Automatic Transmissions
ERH = 4.0L Power Tech Engine
ER0 = All 4.0L 6 Cyl Gas Engines

-1	05252926AB	1					DGG		SEAL PACKAGE, Transmission Clutch
2	03515176	1					DGG		SEAL, Front Clutch Piston
-3	00147483	1					DGG		CHECK BALL, Dia-.187
4	03515054	1					DGD		SPRING, Front Clutch
-5	00147483	1					DGG		CHECK BALL, Dia-.187
6	01638461	2					DGG		SNAP RING
7	04617362	4					DGG		DISC, Direct Clutch
8	03410571	1					DGG		SNAP RING
9	04505199	1					DGG		RETAINER, Transmission Rear Clutch
-10	00147483	1					DGG		CHECK BALL, Dia-.187
11	06022859	1					DGG		SNAP RING, .890625
12	04028333	1					DGG		SEAL, Rear Clutch, 1.50 ODx.009 Thk
13	04617786	1					DGG		THRUST WASHER, Front Clutch
14	01401221AB	1					DGG		SEAL, Input Shaft
15	04505189	1					DGG		INPUT SHAFT, Transmission
16	04713880	4					DGG		DISC, Clutch
17	04130761	1					DGG		SNAP RING
-18	04539121	1					DGG		SNAP RING, Rear Clutch, .076
-19	04539123	1					DGG		SNAP RING, Rear Clutch, .095
-20	04539122	1					DGG		SNAP RING, Rear Clutch, .098
-21	04539124	1					DGG		SNAP RING, Rear Clutch, .107
22	04617176	1					DGG		PLATE, Transmission Clutch Reaction
23									PLATE, Clutch Separator
	01942403AB	3					DGG		Without [V] Notch
	01942403AC	4					DGG		With [V] Notch

WRANGLER (TJ)		BODY	ENGINE	TRANSMISSION
SERIES	LINE	77 = 93.4 WB	EPE = ENGINE - 2.5L POWER TECH I-4 Cyl.	DDD = TRANSMISSION - 5-SPEED HD MANUAL
H = Sport	J = Wrangler 4WD		ERH = ENGINE - 4.0L POWER TECH I-6	DDQ = TRANSMISSION - 5-SPEED MANUAL
L = SE	U = Wrangler 4WD (RHD)			DGD = TRANSMISSION - 3-SPD. AUTOMATIC,30RH
P = Sahara				DGG = TRANSMISSION - 3-SPD. AUTOMATIC,32RH
				DG0 = All Automatic Transmissions
				DBB = All Manual Transmissions
				DD0 = All 5 Speed Manual Transmissions

AR = use ase required - = Non illustrated part

Clutch, Front and Rear 32RH (DGG)
Figure 32RH-410



FRONT CLUTCH

REAR CLUTCH

ITEM	PART NUMBER	QTY	LINE	SERIES	BODY	ENGINE	TRANS	TRIM	DESCRIPTION
24	02466281	1					DGG		PLATE, Clutch Pressure
25	02466283	1					DGG		SPRING, Rear Clutch
26	04728487	1					DGG		SPRING, Rear Clutch Piston
27	02538510	1					DGG		SEAL, Rear Clutch Piston
28									PISTON, Clutch
	03515716	1					DGG		
	04617154AB	1					DGG		With Transmission Stamp # [52119833AA]
29	04505185	1					DGG		THRUST WASHER, Output Shaft, Gray .052
-30	04505186	1					DGG		THRUST WASHER, Output Shaft, Red .068
-31	04505187	1					DGG		THRUST WASHER, Output Shaft, Green .083
32	04617157	1					DGG		BUSHING, Front Clutch
-33	04617159	1					DGG		BUSHING, Rear Clutch
34	04531285	1					DGG		RETAINER AND BUSHING, Transmission Front Clutch, Up to 01-07-2000
35	04617154	1					DGG		PISTON, Clutch, Up to 01-07-2000
36									PLATE, Clutch Separator, Up to 01-07-2000
	01942403AB	2					DGD		Without [V] Notch
	01942403AC	4					DGD		With [V] Notch
37	04617176	1					DGG		PLATE, Transmission Clutch Reaction, Up to 01-07-2000
38	04058487	1					DGG		SEAL, Front Piston Clutch, Up to 01-07-2000
39	04617516AB	1					DGG		RETAINER, Transmission Front Clutch Piston Spring, Up to 01-07-2000
40	04531285AB	1					DGG		RETAINER AND BUSHING, Transmission Front Clutch, From 01-07-2000
41	04617154AB	1					DGG		PISTON, Clutch, From 01-07-2000
42	01942403AC	4					DGG		PLATE, Clutch Separator, From 01-07-2000

WRANGLER (TJ)

SERIES LINE BODY
H = Sport J = Wrangler 4WD 77 = 93.4 WB
L = SE U = Wrangler 4WD (RHD)
P = Sahara

BODY
77 = 93.4 WB

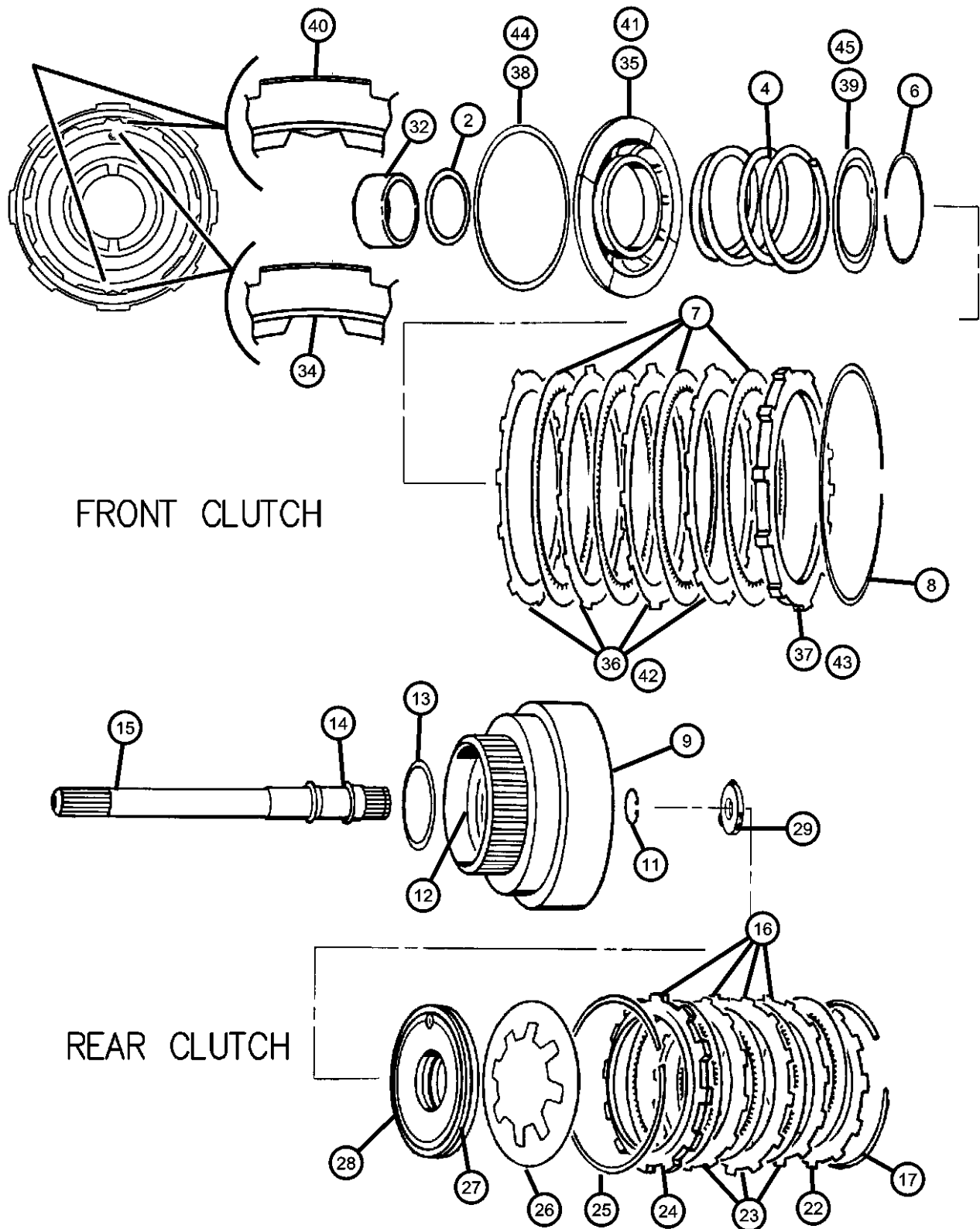
ENGINE
EPE = ENGINE - 2.5L POWER TECH I-4 Cyl.
ERH = ENGINE - 4.0L POWER TECH I-6

TRANSMISSION
DDD = TRANSMISSION - 5-SPEED HD MANUAL
DDQ = TRANSMISSION - 5-SPEED MANUAL
DGD = TRANSMISSION - 3-SPD. AUTOMATIC,30RH
DGG = TRANSMISSION - 3-SPD. AUTOMATIC,32RH
DGO = All Automatic Transmissions
DBB = All Manual Transmissions
DDO = All 5 Speed Manual Transmissions

AR = use ase required - = Non illustrated part

2000 TJ

Clutch, Front and Rear 32RH (DGG)
Figure 32RH-410



FRONT CLUTCH

REAR CLUTCH

ITEM	PART NUMBER	QTY	LINE	SERIES	BODY	ENGINE	TRANS	TRIM	DESCRIPTION
43	04617176AB	1					DGG		PLATE, Transmission Clutch Reaction, From 01-07-2000
44	04058487AB	1					DGG		SEAL, Front Piston Clutch, From 01-07-2000
45	04617516AC	1					DGG		RETAINER, Transmission Front Clutch Piston Spring, From 01-07-2000

WRANGLER (TJ)

SERIES LINE BODY
 H = Sport J = Wrangler 4WD 77 = 93.4 WB
 L = SE U = Wrangler 4WD (RHD)
 P = Sahara

BODY
 77 = 93.4 WB

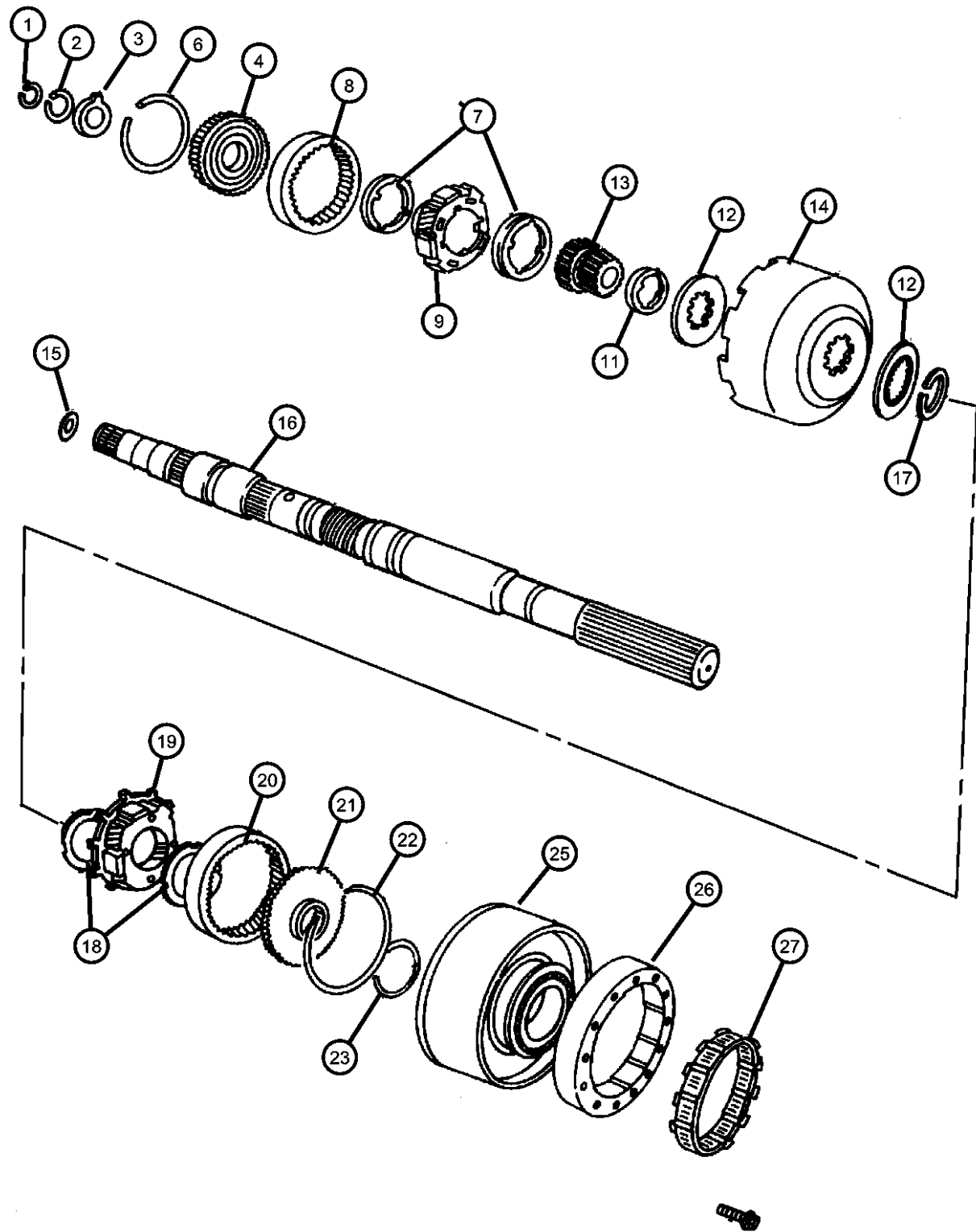
ENGINE
 EPE = ENGINE - 2.5L POWER TECH I-4 Cyl.
 ERH = ENGINE - 4.0L POWER TECH I-6

TRANSMISSION
 DDD = TRANSMISSION - 5-SPEED HD MANUAL
 DDQ = TRANSMISSION - 5-SPEED MANUAL
 DGD = TRANSMISSION - 3-SPD. AUTOMATIC,30RH
 DGG = TRANSMISSION - 3-SPD. AUTOMATIC,32RH
 DG0 = All Automatic Transmissions
 DBB = All Manual Transmissions
 DD0 = All 5 Speed Manual Transmissions

AR = use ase required - = Non illustrated part

2000 TJ

Output Shaft 32RH (DGG)
Figure 32RH-420



ITEM	PART NUMBER	QTY	LINE	SERIES	BODY	ENGINE	TRANS	TRIM	DESCRIPTION
------	-------------	-----	------	--------	------	--------	-------	------	-------------

Note:
DGG = 3 Speed Automatic Transmission 32RH
DG0 = All Automatic Transmissions
ERH = 4.0L Power Tech Engine
ER0 = All 4.0L 6 Cyl Gas Engines

1	06026289	1					DGG		SNAP RING, .946 ID
2	06030576	1					DGG		SNAP RING, Annulus Gear, 1.375 ID
3	03681969	1					DGG		THRUST WASHER, Annulus Gear
4	04617774	1					DGG		SUPPORT, Annulus Gear
-5	06030576	1					DGG		SNAP RING, Annulus Gear, 1.375 ID
6	06035238	1					DGG		SNAP RING
7	04130518	2					DGG		THRUST WASHER, Planetary Carrier
8	04130512	1					DGG		GEAR, Front Annulus
9	04130514	1					DGG		CARRIER, Planetary Pinion
-10	03681949	8					DGG		THRUST WASHER, Planet Pinion
11	04130736	1					DGG		SPACER, Sun Gear
12	04471566	2					DGG		PLATE, Transmission Module
13	04130685	1					DGG		GEAR, Sun
14	04531288	1					DGG		SHELL, Sun Gear
15	04505188	1					DGG		PLATE, Transmission Module
16	04617320	1					DGG		MAINSHAFT, Transmission
17	01942439	1					DGG		SNAP RING, Sun Gear Shell
18	03681935	1					DGG		THRUST WASHER, Planetary Carrier
19	04431438	1					DGG		CARRIER, Planetary Pinion
20	03743184	1					DGG		GEAR, Rear Annulus
21	03515501	1					DGG		SUPPORT, Annulus Gear
22	01942444	1					DGG		SNAP RING
23	06033480	1					DGG		SNAP RING, Reverse Drum
-24	06033616	5					DGG		SCREW, Hex Flange Head, .25-28x.875

WRANGLER (TJ)

SERIES LINE
H = Sport J = Wrangler 4WD
L = SE U = Wrangler 4WD (RHD)
P = Sahara

BODY
77 = 93.4 WB

ENGINE
EPE = ENGINE - 2.5L POWER TECH I-4 Cyl.
ERH = ENGINE - 4.0L POWER TECH I-6

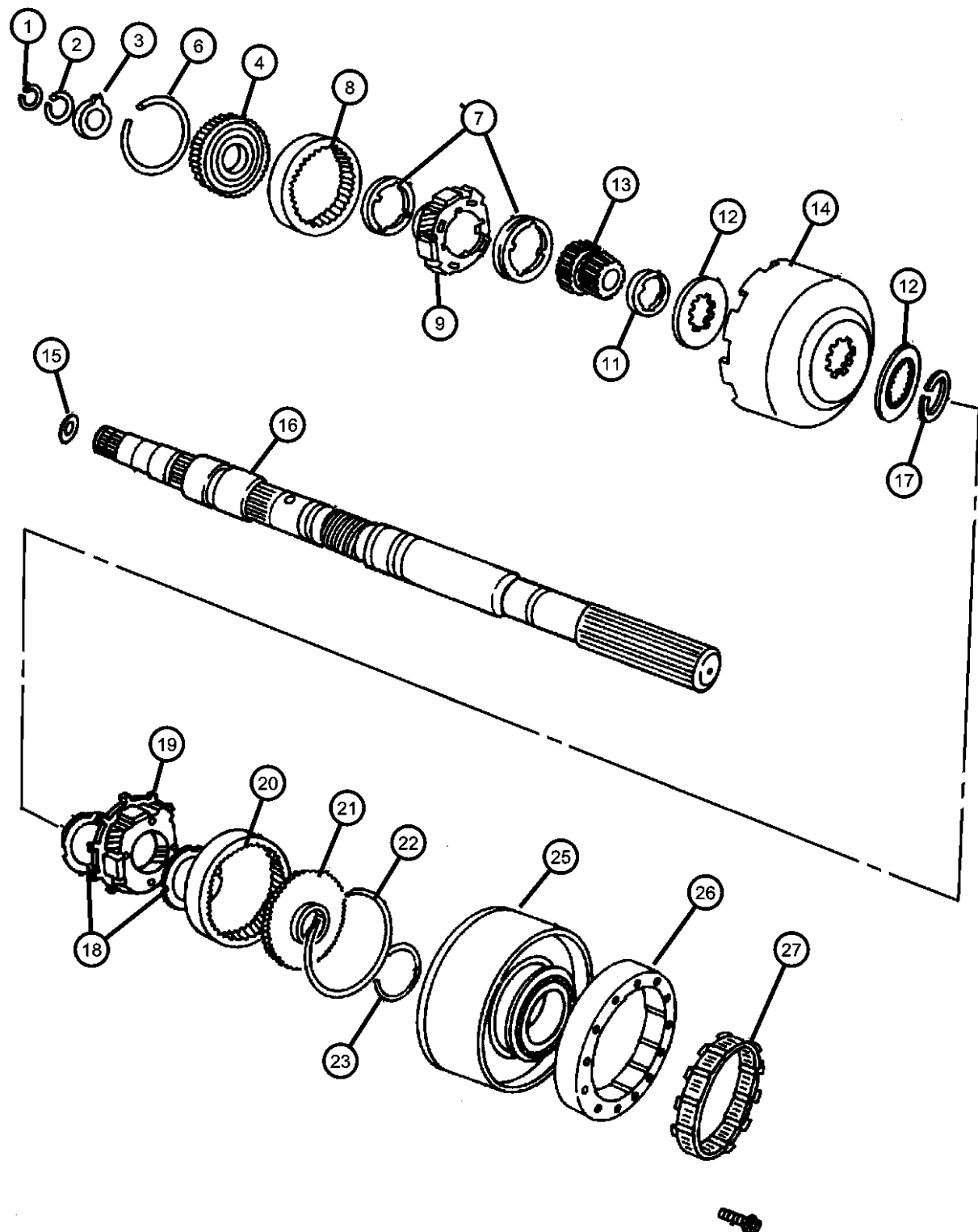
TRANSMISSION
DDD = TRANSMISSION - 5-SPEED HD MANUAL
DDQ = TRANSMISSION - 5-SPEED MANUAL
DGD = TRANSMISSION - 3-SPD. AUTOMATIC, 30RH
DGG = TRANSMISSION - 3-SPD. AUTOMATIC, 32RH
DG0 = All Automatic Transmissions
DBB = All Manual Transmissions
DD0 = All 5 Speed Manual Transmissions

AR = use ase required - = Non illustrated part

2000 TJ

Output Shaft 32RH (DGG)
Figure 32RH-420

ITEM	PART NUMBER	QTY	LINE	SERIES	BODY	ENGINE	TRANS	TRIM	DESCRIPTION
------	-------------	-----	------	--------	------	--------	-------	------	-------------



25	04637956	1					DGG		DRUM PACKAGE, Transmission
26	04431690	1					DGG		CAM, Overrunning Clutch
27	04431432	1					DGG		CLUTCH, Overrunning

WRANGLER (TJ)

SERIES	LINE
H = Sport	J = Wrangler 4WD
L = SE	U = Wrangler 4WD (RHD)
P = Sahara	

BODY
77 = 93.4 WB

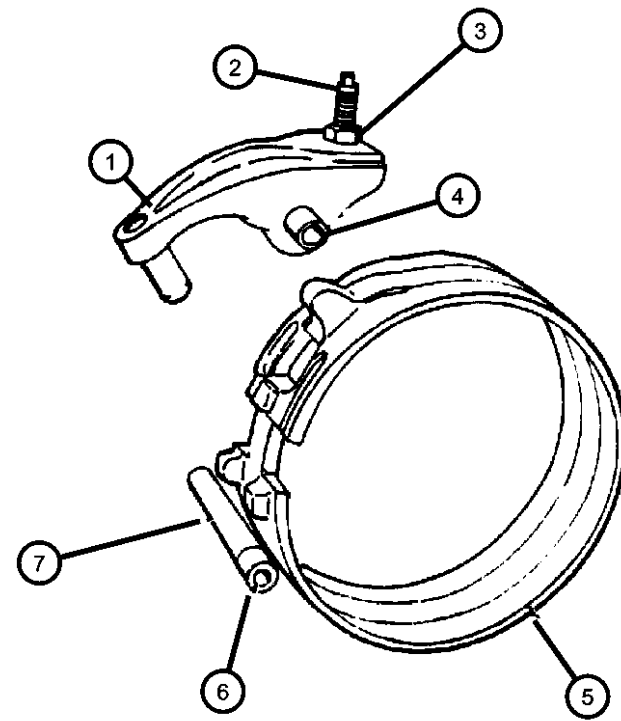
ENGINE
EPE = ENGINE - 2.5L POWER TECH I-4 Cyl.
ERH = ENGINE - 4.0L POWER TECH I-6

TRANSMISSION
DDD = TRANSMISSION - 5-SPEED HD MANUAL
DDQ = TRANSMISSION - 5-SPEED MANUAL
DGD = TRANSMISSION - 3-SPD. AUTOMATIC, 30RH
DGG = TRANSMISSION - 3-SPD. AUTOMATIC, 32RH
DG0 = All Automatic Transmissions
DBB = All Manual Transmissions
DD0 = All 5 Speed Manual Transmissions

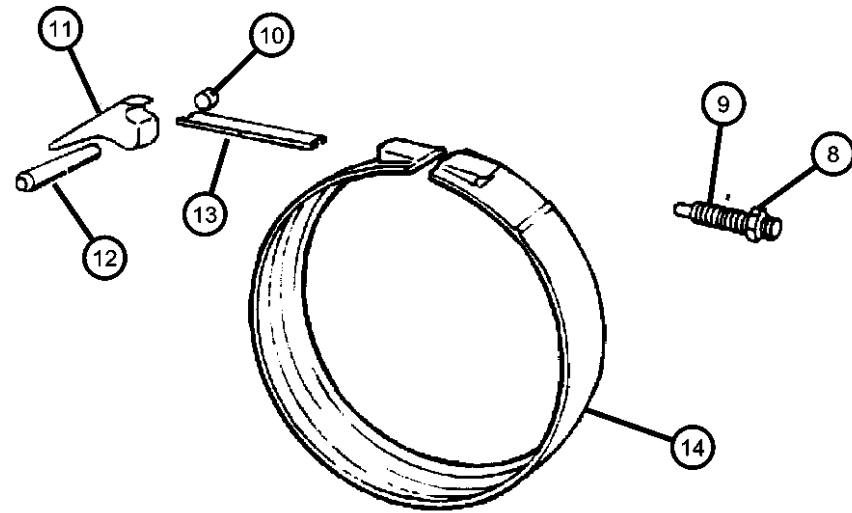
AR = use ase required - = Non illustrated part

2000 TJ

**Bands 32RH (DGG)
Figure 32RH-510**



REVERSE BAND



KICKDOWN BAND

Note:

DGG = 3 Speed Automatic Transmission 32RH
 DG0 = All Automatic Transmissions
 ERH = 4.0L Power Tech Engine
 ER0 = All 4.0L 6 Cyl Gas Engines

ITEM	PART NUMBER	QTY	LINE	SERIES	BODY	ENGINE	TRANS	TRIM	DESCRIPTION
1	04202764AB	1					DGG		LEVER, Reverse Band
2	02538472	1					DGG		SCREW, Trans Reverse Band Adjusting, .375-24-1.88
3	00114942	1					DGG		NUT, Hex, .375-24
4	03410102	1					DGG		SHAFT, Reverse Band
5	04431406	1					DGG		BAND, Reverse
6	06030657	1					DGG		O RING, Steering Gear
7	03410102	1					DGG		SHAFT, Reverse Band
8	00124934	1					DGG		NUT, Hex Jam, .50-20
9	06036141AA	1					DGG		SCREW
10	06036141AA	1							PLUG, (NOT SERVICED)
11	02124666	1					DGG		LEVER, Kickdown
12	04531181	1					DGG		SHAFT, Band Lever
13	03515084	1					DGG		STRUT, Kickdown Band
14	04617849	1					DGG		BAND, Kickdown

WRANGLER (TJ)

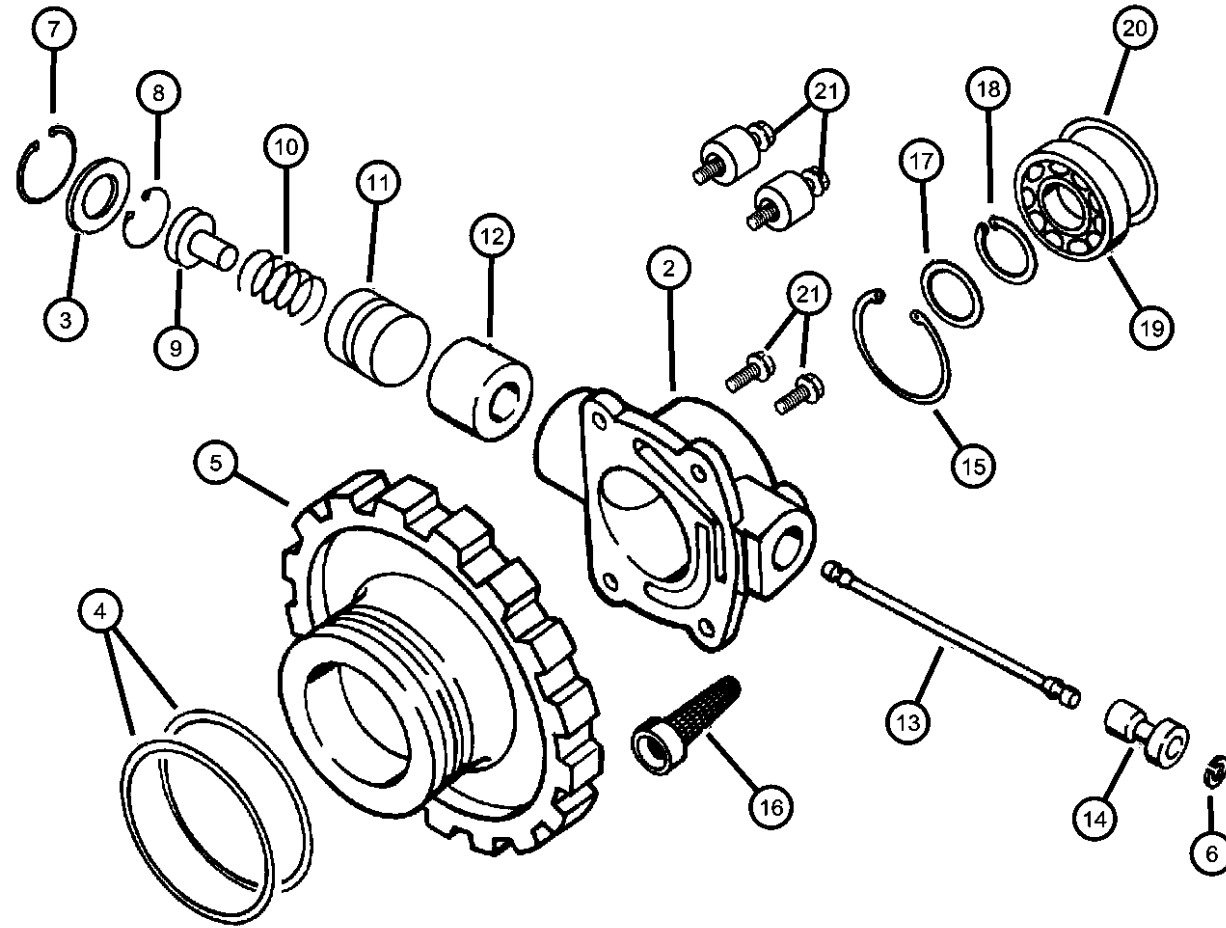
SERIES LINE BODY
 H = Sport J = Wrangler 4WD 77 = 93.4 WB
 L = SE U = Wrangler 4WD (RHD)
 P = Sahara

BODY
 77 = 93.4 WB

ENGINE
 EPE = ENGINE - 2.5L POWER TECH I-4 Cyl.
 ERH = ENGINE - 4.0L POWER TECH I-6

TRANSMISSION
 DDD = TRANSMISSION - 5-SPEED HD MANUAL
 DDQ = TRANSMISSION - 5-SPEED MANUAL
 DGD = TRANSMISSION - 3-SPD. AUTOMATIC,30RH
 DGG = TRANSMISSION - 3-SPD. AUTOMATIC,32RH
 DG0 = All Automatic Transmissions
 DBB = All Manual Transmissions
 DD0 = All 5 Speed Manual Transmissions

**Governor 32RH (DGG)
Figure 32RH-610**



ITEM	PART NUMBER	QTY	LINE	SERIES	BODY	ENGINE	TRANS	TRIM	DESCRIPTION
-1	04728460	1					DGG		BODY PACKAGE, Governor
2	04728460	1							BODY, Governor, (NOT SERVICED)
3	04728460	1							RETAINER, (NOT SERVICED)
4	01942109	1					DGG		SEAL, Governor
5	03743518	1					DGG		SUPPORT, Governor
6	01638461	2					DGG		SNAP RING
7	06031392	1					DGG		SNAP RING, Brake Master Cylinder
8	06034723	1					DGG		SNAP RING, Governor, .675 x .025
9	04617883	1					DGG		WEIGHT KIT, Transmission Governor
10	04617883	1							SPRING, Governor Valve, (NOT SERVICED)
11	04617883	1							WEIGHT, Governor, (NOT SERVICED)
12	04617883	1							WEIGHT, Governor, (NOT SERVICED)
13	01556082	1					DGG		SHAFT, Governor
14	04617064	1					DGG		VALVE, Governor
15	06027271	1					DGG		SNAP RING, Governor, 1.156
16	03743519	1					DGG		FILTER, Transmission Governor
17	04617799	1					DGG		SPACER, Output Shaft
18	06025668	1					DGG		SNAP RING, 1.150" Free Diameter
19	04130537	1					DGG		BEARING, Output Shaft
20	06032739	1					DGG		O RING, Output Shaft Bearing, Transmission

Note:
DGG = 3 Speed Automatic Transmission 32RH
DGD = 3 Speed Automatic Transmission 30RH
DG0 = All Automatic Transmissions
EPE = 2.5L SMPI Magnum 4 Cyl Engine
EP0 = All 2.5L 4 Cyl Gas Engines
ERH = 4.0L Power Tech Engine
ER0 = All 4.0L 6 Cyl Gas Engines

WRANGLER (TJ)

SERIES LINE
H = Sport J = Wrangler 4WD
L = SE U = Wrangler 4WD (RHD)
P = Sahara

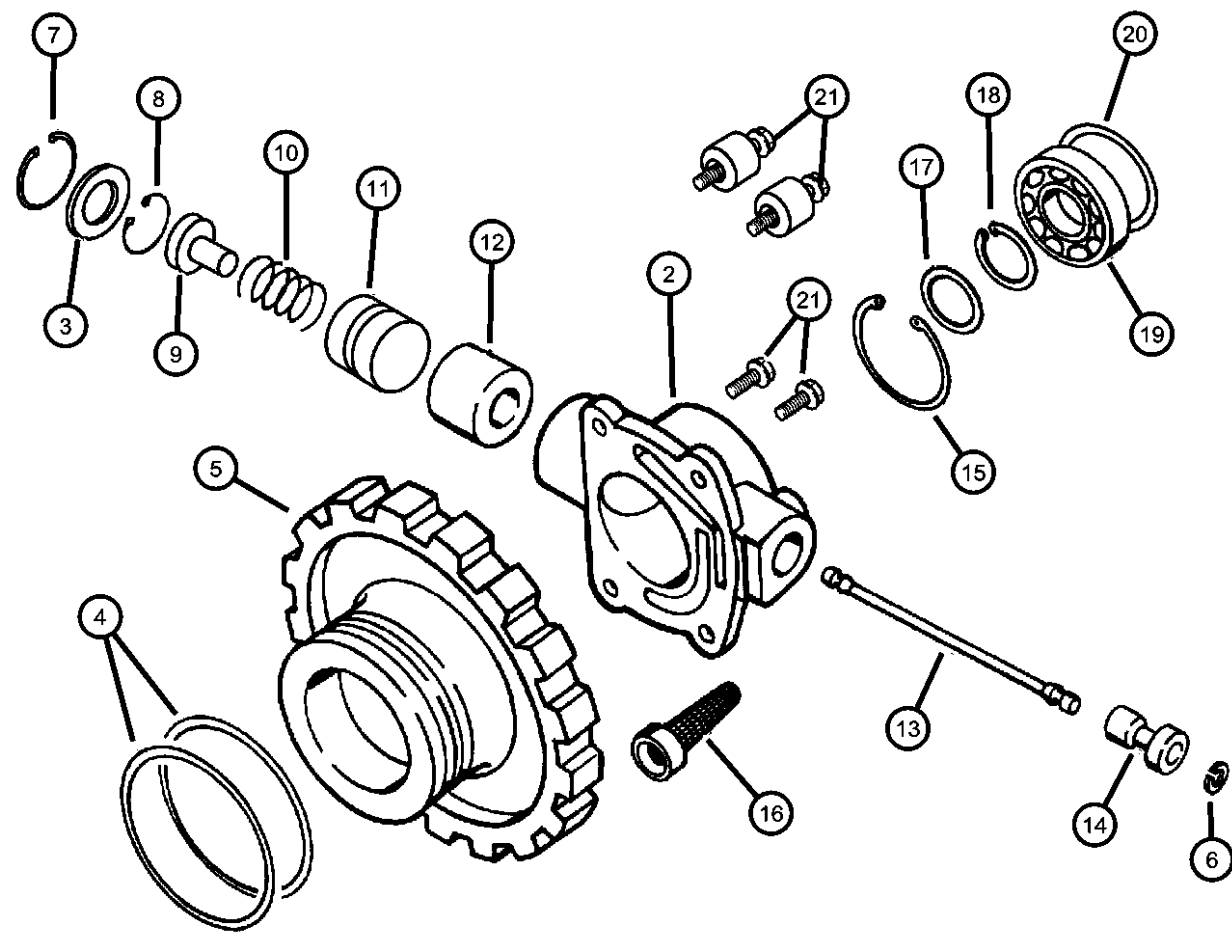
BODY
77 = 93.4 WB

ENGINE
EPE = ENGINE - 2.5L POWER
TECH I-4 Cyl.
ERH = ENGINE - 4.0L
POWER TECH I-6

TRANSMISSION
DDD = TRANSMISSION - 5-SPEED
HD MANUAL
DDQ = TRANSMISSION - 5-SPEED
MANUAL
DGD = TRANSMISSION - 3-SPD.
AUTOMATIC,30RH
DGG = TRANSMISSION - 3-SPD.
AUTOMATIC,32RH
DG0 = All Automatic Transmissions
DBB = All Manual Transmissions
DD0 = All 5 Speed Manual
Transmissions

AR = use ase required - = Non illustrated part

**Governor 32RH (DGG)
Figure 32RH-610**



ITEM	PART NUMBER	QTY	LINE	SERIES	BODY	ENGINE	TRANS	TRIM	DESCRIPTION
21	06031613	4					DGG		BOLT, Hex Head, .25-20x.68
-22	04883956AB	1					DGG		GASKET AND SEAL PACKAGE, Governor

WRANGLER (TJ)

SERIES	LINE
H = Sport	J = Wrangler 4WD
L = SE	U = Wrangler 4WD (RHD)
P = Sahara	

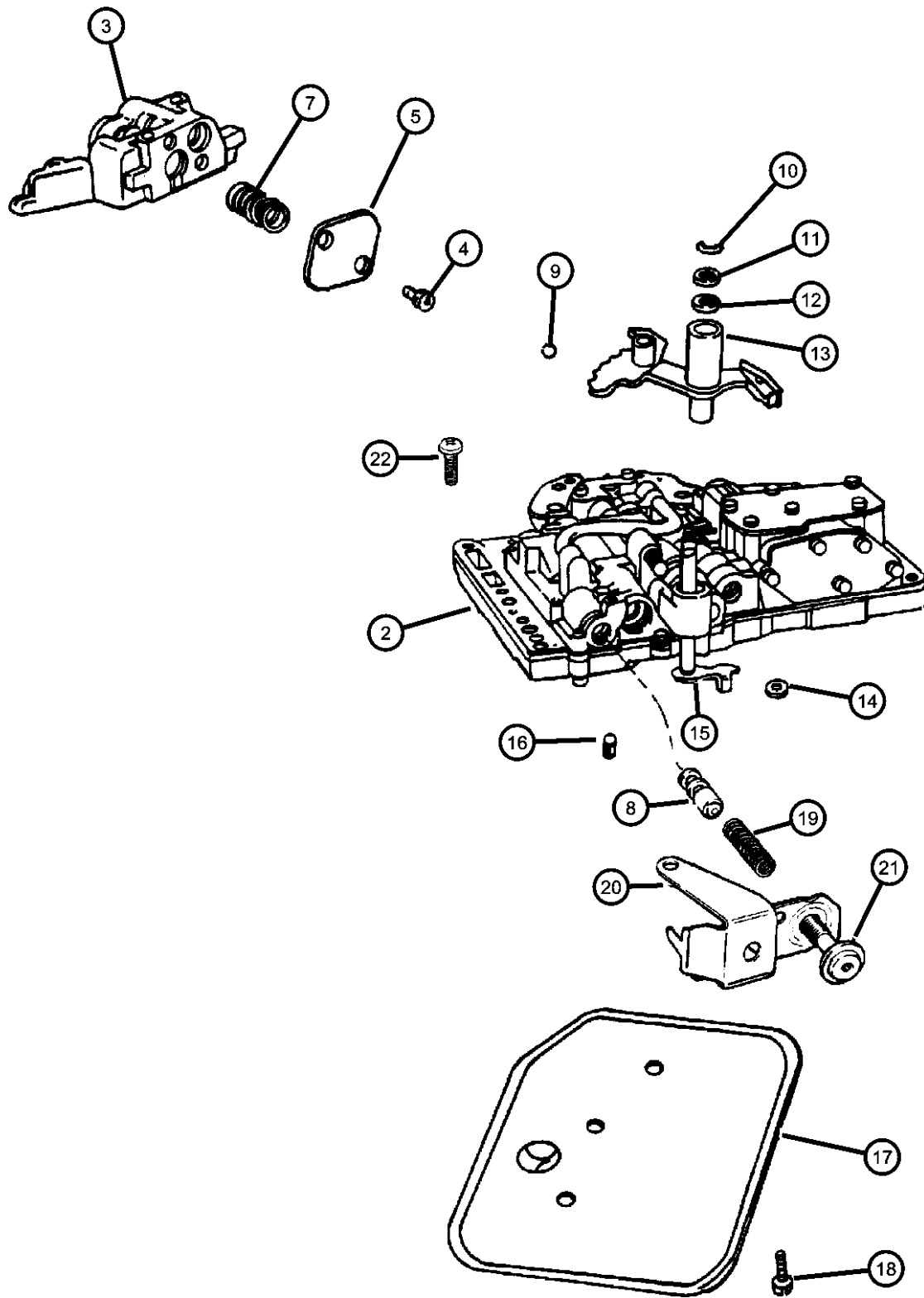
BODY
77 = 93.4 WB

ENGINE
EPE = ENGINE - 2.5L POWER TECH I-4 Cyl.
ERH = ENGINE - 4.0L POWER TECH I-6

TRANSMISSION
DDD = TRANSMISSION - 5-SPEED HD MANUAL
DDQ = TRANSMISSION - 5-SPEED MANUAL
DGD = TRANSMISSION - 3-SPD. AUTOMATIC,30RH
DGG = TRANSMISSION - 3-SPD. AUTOMATIC,32RH
DGO = All Automatic Transmissions
DBB = All Manual Transmissions
DDO = All 5 Speed Manual Transmissions

AR = use ase required - = Non illustrated part

**Valve Body 32RH (DGG)
Figure 32RH-710**



ITEM	PART NUMBER	QTY	LINE	SERIES	BODY	ENGINE	TRANS	TRIM	DESCRIPTION
-1	04713105AB	1					DGG		GASKET AND SEAL PACKAGE, Valve Body
2	52118617	1					DGG		BODY, Transfer Plate
3	52118617	1							VALVE, Valve Body, (NOT SERVICED)
4	52118617	1							SCREW, (NOT SERVICED)
5	52118617	1							PLATE, (NOT SERVICED)
-6	52118617	1							SCREW, (NOT SERVICED)
7	52118617	1							SPRING, Lock Up Valve, (NOT SERVICED)
8	04505036	1					DGG		VALVE, Trans Lockup Switch
9	00147488	1					DGG		BALL, Manual Lever Detent, .343 Diameter
10	06035208	2					DGG		SNAP RING
11	02538062	1					DGG		WASHER, Manual Valve Lever
12	02466548	1					DGG		SEAL, Valve Lever Shift
13	04617439	1					DGG		LEVER, Manual Valve
14	04505098	1					DGG		SEAL, Manual Shift Valve, 1.25 OD
15	52078723AB	1				EP0, ER0	DG0		LEVER, Throttle Valve
16	03878313	1					DGG		SCREEN, Transmission Regulator Valve
17	03515996	1					DGG		FILTER, Valve Body
18	06033826	3					DGG		SCREW AND WASHER, Oil Filter Mounting, Fillester Head .190-24x2.500
19	04130492	1					DGG		SPRING, Switch Valve
20	04130492	1							BRACKET, (NOT SERVICED)

WRANGLER (TJ)

SERIES LINE
H = Sport J = Wrangler 4WD
L = SE U = Wrangler 4WD (RHD)
P = Sahara

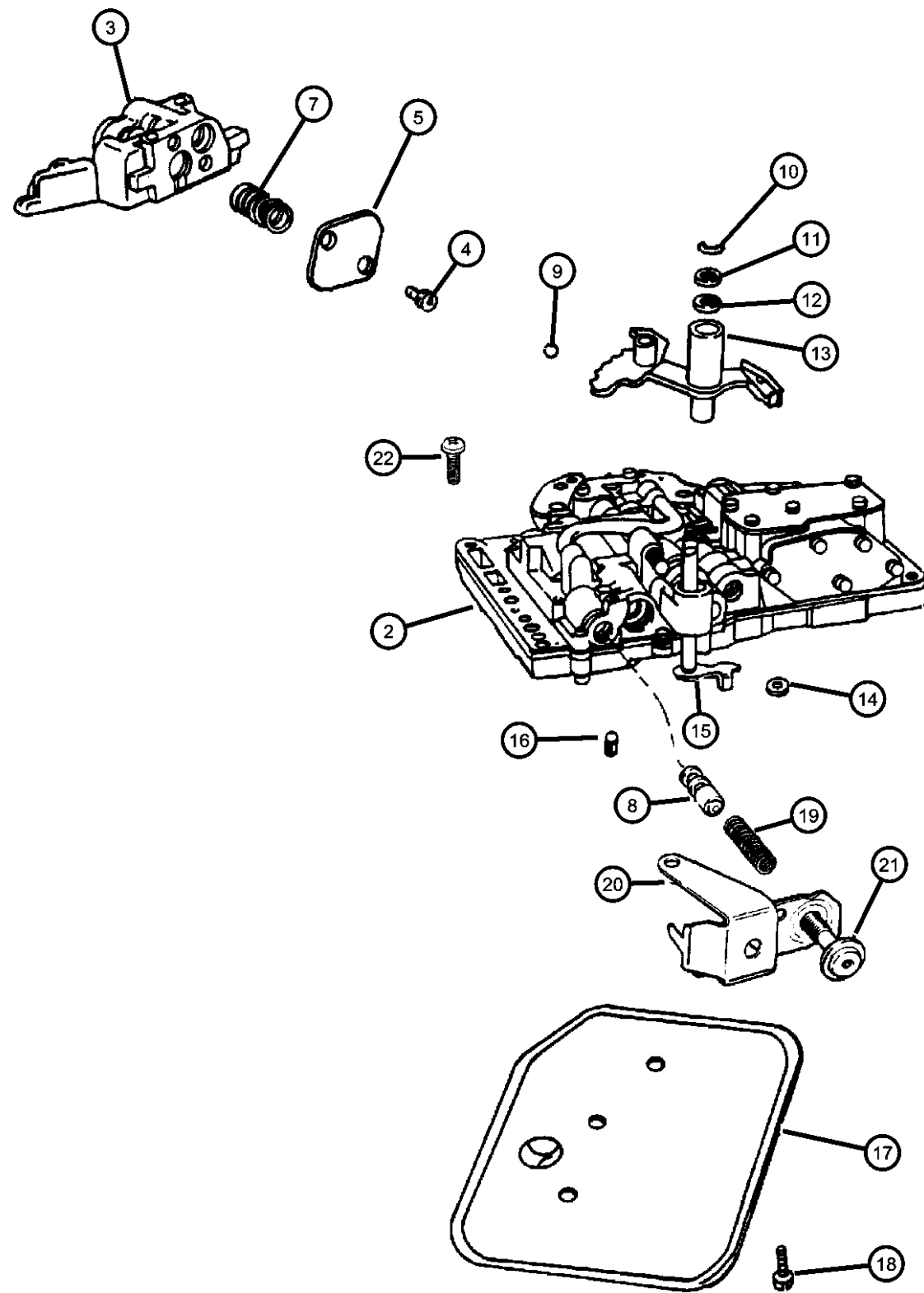
BODY
77 = 93.4 WB

ENGINE
EPE = ENGINE - 2.5L POWER TECH I-4 Cyl.
ERH = ENGINE - 4.0L POWER TECH I-6

TRANSMISSION
DDD = TRANSMISSION - 5-SPEED HD MANUAL
DDQ = TRANSMISSION - 5-SPEED MANUAL
DGD = TRANSMISSION - 3-SPD. AUTOMATIC, 30RH
DGG = TRANSMISSION - 3-SPD. AUTOMATIC, 32RH
DG0 = All Automatic Transmissions
DBB = All Manual Transmissions
DD0 = All 5 Speed Manual Transmissions

AR = use ase required - = Non illustrated part

Valve Body 32RH (DGG)
Figure 32RH-710



ITEM	PART NUMBER	QTY	LINE	SERIES	BODY	ENGINE	TRANS	TRIM	DESCRIPTION
------	-------------	-----	------	--------	------	--------	-------	------	-------------

21	06030609	1					DGG		SCREW, Cap Head Lock, .312-24x1.25
22	06030609	1							SCREW, .190-24 x 1", (NOT SERVICED)

WRANGLER (TJ)

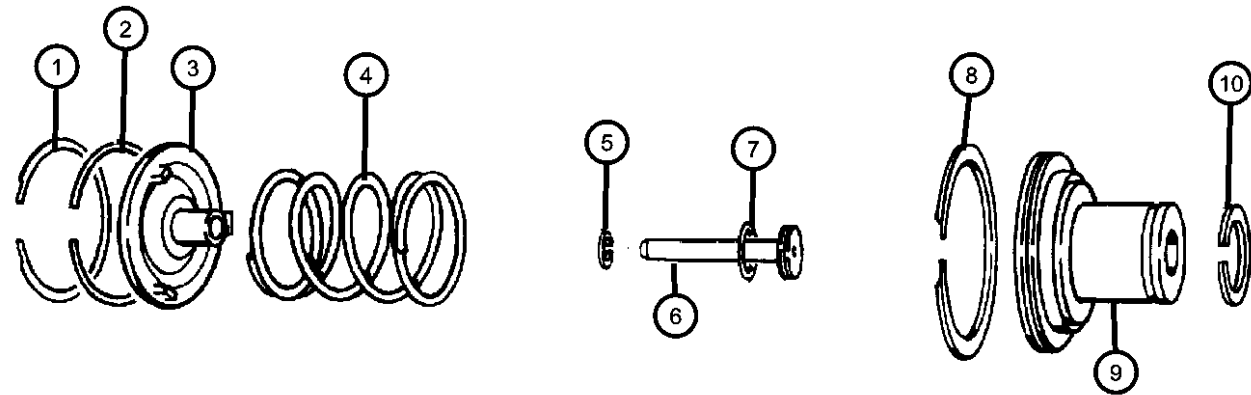
SERIES	LINE	BODY
H = Sport	J = Wrangler 4WD	77 = 93.4 WB
L = SE	U = Wrangler 4WD (RHD)	
P = Sahara		

ENGINE	TRANSMISSION
EPE = ENGINE - 2.5L POWER TECH I-4 Cyl.	DDD = TRANSMISSION - 5-SPEED HD MANUAL
ERH = ENGINE - 4.0L POWER TECH I-6	DDQ = TRANSMISSION - 5-SPEED MANUAL
	DGD = TRANSMISSION - 3-SPD. AUTOMATIC, 30RH
	DGG = TRANSMISSION - 3-SPD. AUTOMATIC, 32RH
	DG0 = All Automatic Transmissions
	DBB = All Manual Transmissions
	DD0 = All 5 Speed Manual Transmissions

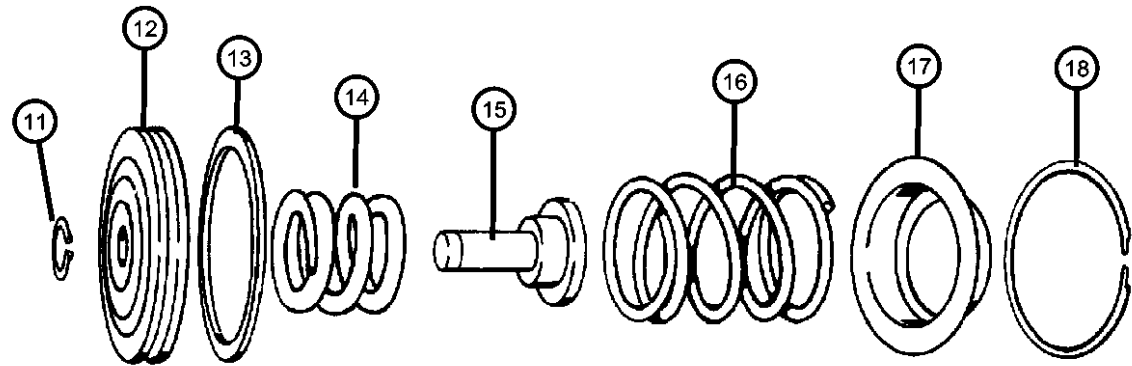
AR = use ase required - = Non illustrated part

2000 TJ

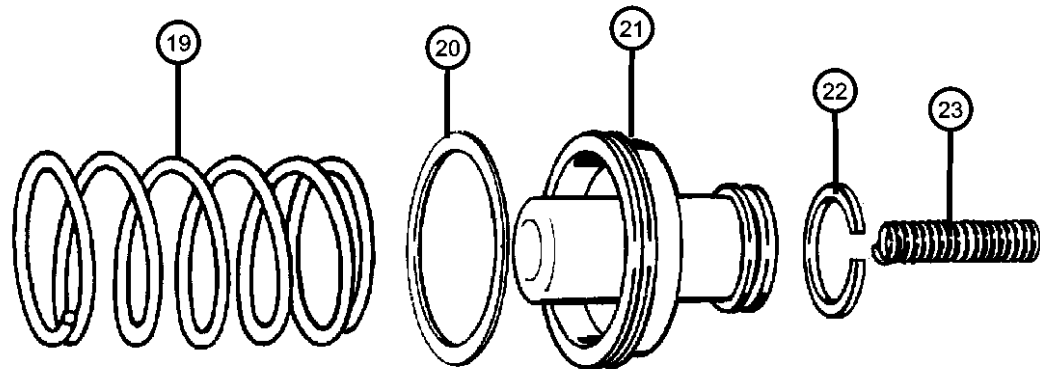
Servos 32RH (DGG)
Figure 32RH-720



KICKDOWN SERVO



LOW AND REVERSE SERVO



ITEM	PART NUMBER	QTY	LINE	SERIES	BODY	ENGINE	TRANS	TRIM	DESCRIPTION
1	06028863	1					DGG		SNAP RING, Kickdown, 2.377
2	04295966	1					DGG		SEAL, Servo Guide
3	03410332	1					DGG		GUIDE, Kickdown Servo
4	04531119	1					DGG		SPRING, Kickdown Servo Piston
5	06031392	1					DGG		SNAP RING, Brake Master Cylinder
6	04058780	1					DGG		ROD, Kickdown Servo Piston
7	06028864	1					DGG		O RING, Kick Down Servo
8	04295966	1					DGG		SEAL, Servo Guide
9	04058777	1					DGG		PISTON, Kickdown Servo
10	03743033	1					DGG		SEAL, Kickdown Servo
11	06027153	1					DGG		SNAP RING, .435 ID
12	52118744	1					DGG		PISTON, Reverse Servo
13	04202864	1					DGG		SEAL, Reverse Servo Piston
14	02801274	1					DGG		SPRING, Reverse Servo Piston
15	52118740AB	1					DGG		PLUG, Reverse Servo Piston
16	02801274	1					DGG		SPRING, Reverse Servo Piston
17	02464463	1					DGG		RETAINER, Transmission Rear Clutch
18	02464464	1					DGG		SNAP RING
19	03515114	1					DGG		SPRING, Accumulator
20	03743013	1					DGG		SEAL, Piston Accumulator
21	03743650	1					DGG		PISTON, Accumulator
22	03743010	1					DGG		SEAL, Piston Accumulator
23	03515114	1					DGG		SPRING, Accumulator

Note:

DGG = 3 Speed Automatic Transmission 32RH
 DG0 = All Automatic Transmissions
 ERH = 4.0L Power Tech Engine
 ER0 = All 4.0L 6 Cyl Gas Engines

WRANGLER (TJ)

SERIES LINE
 H = Sport J = Wrangler 4WD
 L = SE U = Wrangler 4WD (RHD)
 P = Sahara

BODY
 77 = 93.4 WB

ENGINE
 EPE = ENGINE - 2.5L POWER
 TECH I-4 Cyl.
 ERH = ENGINE - 4.0L
 POWER TECH I-6

TRANSMISSION
 DDD = TRANSMISSION - 5-SPEED
 HD MANUAL
 DDQ = TRANSMISSION - 5-SPEED
 MANUAL
 DGD = TRANSMISSION - 3-SPD.
 AUTOMATIC,30RH
 DGG = TRANSMISSION - 3-SPD.
 AUTOMATIC,32RH
 DG0 = All Automatic Transmissions
 DBB = All Manual Transmissions
 DD0 = All 5 Speed Manual
 Transmissions

AR = use ase required - = Non illustrated part

**Parking Sprag 32RH (DGG)
Figure 32RH-730**

ITEM	PART NUMBER	QTY	LINE	SERIES	BODY	ENGINE	TRANS	TRIM	DESCRIPTION
1	02466909	1					DGG		SPRING, Parking Sprag
2	04471415	1					DGG		SPRAG, Transmission Parking
3	02538042	1					DGG		PLUG, Parking Sprag
4	02538034	1					DGG		SNAP RING, Transmission
5	02466892	1					DGG		SHAFT, Parking Sprag
6	02466906	1					DGG		ROD, Parking Sprag
7	02466906	1							SPRING, (NOT SERVICED)
8	06035256	1					DGG		SNAP RING, Rod

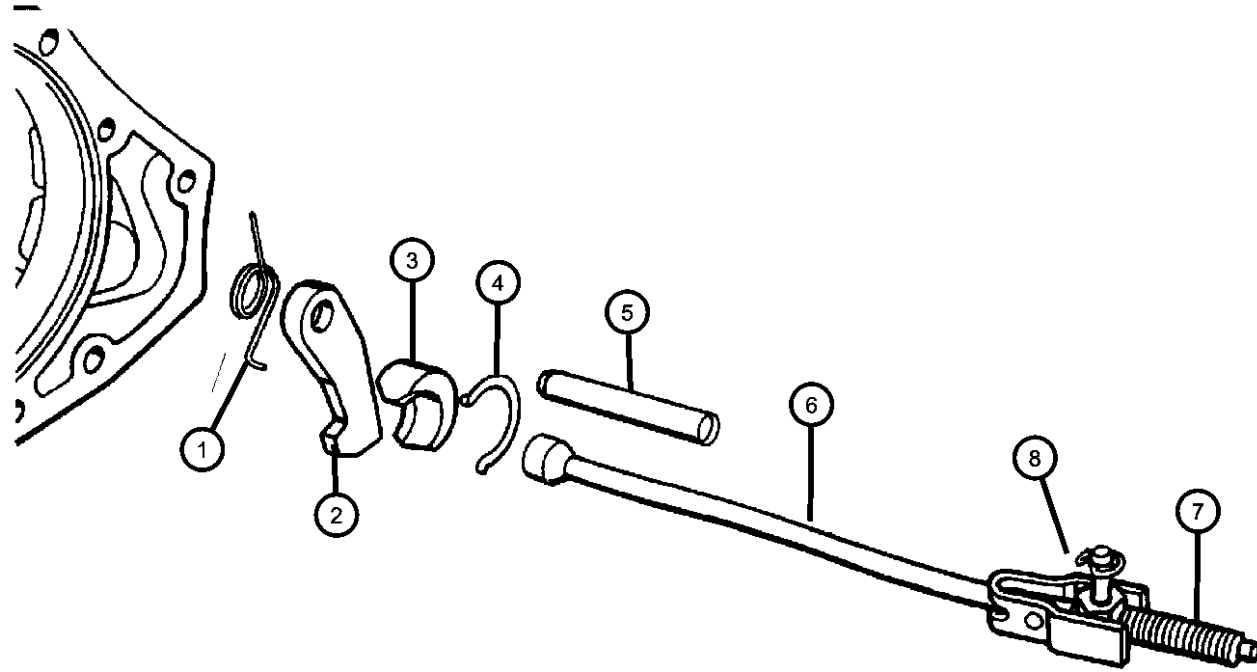
Note:

DGG = 3 Speed Automatic Transmission 32RH

DG0 = All Automatic Transmissions

ERH = 4.0L Power Tech Engine

ER0 = All 4.0L 6 Cyl Gas Engines



WRANGLER (TJ)

SERIES

H = Sport
L = SE
P = Sahara

LINE

J = Wrangler 4WD
U = Wrangler 4WD (RHD)

BODY

77 = 93.4 WB

ENGINE

EPE = ENGINE - 2.5L POWER
TECH I-4 Cyl.
ERH = ENGINE - 4.0L
POWER TECH I-6

TRANSMISSION

DDD = TRANSMISSION - 5-SPEED
HD MANUAL
DDQ = TRANSMISSION - 5-SPEED
MANUAL
DGD = TRANSMISSION - 3-SPD.
AUTOMATIC,30RH
DGG = TRANSMISSION - 3-SPD.
AUTOMATIC,32RH
DG0 = All Automatic Transmissions
DBB = All Manual Transmissions
DD0 = All 5 Speed Manual
Transmissions

AR = use ase required - = Non illustrated part

2000 TJ

**Gearshift Controls 32RH (DGG)
Figure 32RH-1230**

ITEM	PART NUMBER	QTY	LINE	SERIES	BODY	ENGINE	TRANS	TRIM	DESCRIPTION
------	-------------	-----	------	--------	------	--------	-------	------	-------------

Note:
DGG = 3 Speed Automatic Transmission 32RH
DG0 = All Automatic Transmissions
EPE = 2.5L SMPi Magnum 4 Cyl Engine
EP0 = All 2.5L 4 Cyl Gas Engines
ERH = 4.0L Power Tech Engine
ER0 = All 4.0L 6 Cyl Gas Engines

1	52104028	1					DG0		HANDLE, Gearshift
2	53000211	1					DG0		BUTTON, Gearshift Knob
3	53000865	1					DG0		LEVER, Gearshift
4	53000866	1					DG0		SPRING, Button Return
5	52077561	1					DG0		CAP, Gearshift Handle Button
6	06501648	4					DG0		SCREW, Hex Flange Head, M8x1.25x25.00
7	55115570AB	1	J				DG0		BEZEL AND DIAL, Gearshift Lever
8	52104144	1					DG0		CABLE, Park Interlock
9	52104144	1							SEAL, (NOT SERVICED)
10	52078551AB	1	J				DG0		HOUSING, Shift Lever
11	52104142	1					DG0		CABLE, Shift
12	53000704	1					DG0		COVER, Gearshift
13	J4001701	11					DG0		SCREW, Hex Self Tapping, .19-16x.50
14	04641780	1							STRAP, Tie
15	52078255	1					DG0		BRACKET, Shift Cable
16	52078255	1							BOLT, (NOT SERVICED)
17	52079168AB	1				EPE, ER0	DG0		LEVER, Manual Control
18	52078723AB	1				EPE, ER0	DG0		LEVER, Throttle Valve
19	06028114	1					DG0		NUT, Hex, .437-14
20									SPRING, Pawl Return
	53003350	1	J				DG0		
		1	U				DG0		

WRANGLER (TJ)

SERIES	LINE	BODY
H = Sport	J = Wrangler 4WD	77 = 93.4 WB
L = SE	U = Wrangler 4WD (RHD)	
P = Sahara		

BODY
77 = 93.4 WB

ENGINE
EPE = ENGINE - 2.5L POWER
TECH I-4 Cyl.
ERH = ENGINE - 4.0L
POWER TECH I-6

TRANSMISSION
DDD = TRANSMISSION - 5-SPEED
HD MANUAL
DDQ = TRANSMISSION - 5-SPEED
MANUAL
DGD = TRANSMISSION - 3-SPD.
AUTOMATIC,30RH
DGG = TRANSMISSION - 3-SPD.
AUTOMATIC,32RH
DG0 = All Automatic Transmissions
DBB = All Manual Transmissions
DD0 = All 5 Speed Manual
Transmissions

AR = use ase required - = Non illustrated part

2000 TJ

Group - 3550

Manual Transmission 5 Speed

Group - 3550 Manual Transmission 5 Speed

Illustration Title

Group-Fig. No.

Transmission Assembly

Transmission (DDD) Fig. 3550 - 110

Case and Extension

Case and Extension (DDD)..... Fig. 3550 - 210

Gear Train

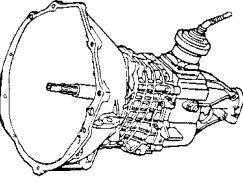
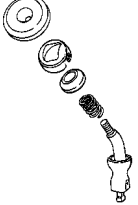
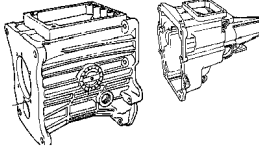
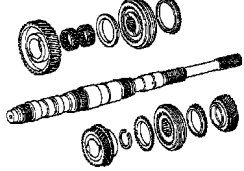
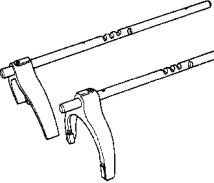
Gear Train (DDD) Fig. 3550 - 410

Fork and Rails

Fork and Rails (DDD)..... Fig. 3550 - 910

Gearshift Controls

Gearshift Controls (DDD)..... Fig. 3550 - 1210

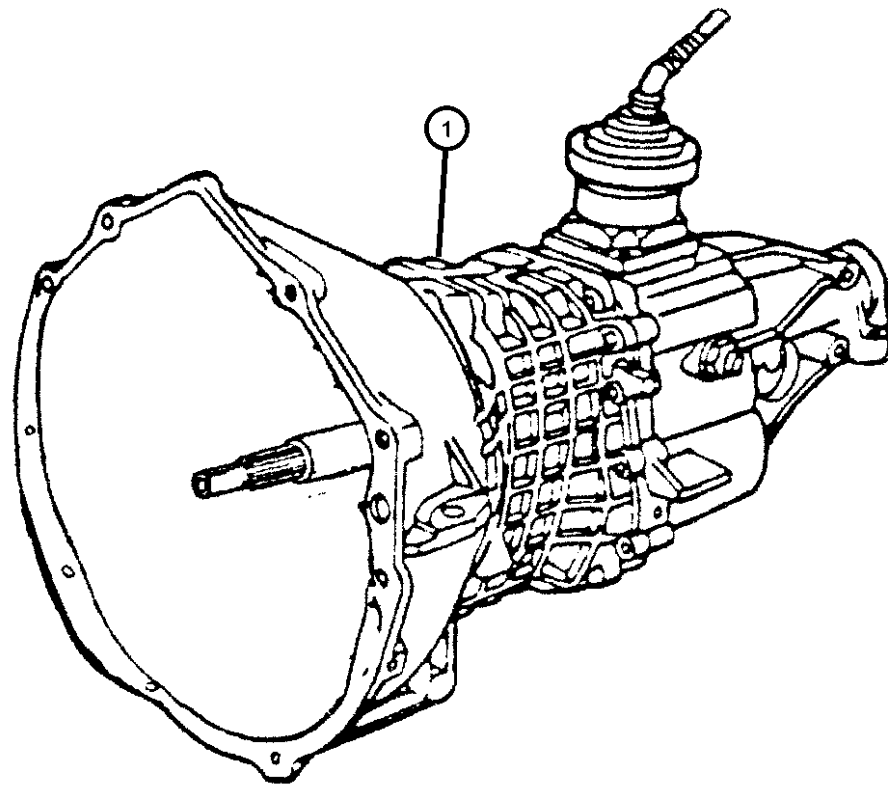
3550-100 Transmission Assembly 	3550-1200 Gearshift Controls 	3550-200 Case and Extension 	3550-400 Gear Train 
3550-900 Fork and Rails 			

Transmission (DDD)
Figure 3550-110

ITEM	PART NUMBER	QTY	LINE	SERIES	BODY	ENGINE	TRANS	TRIM	DESCRIPTION
------	-------------	-----	------	--------	------	--------	-------	------	-------------

ERH= 4.0L Power Tech I-6

1	52104388AA	1				ER0	DDD		TRANSMISSION, 5 Speed
---	------------	---	--	--	--	-----	-----	--	-----------------------



WRANGLER (TJ)

SERIES
H = Sport
L = SE
P = Sahara

LINE
J = Wrangler 4WD
U = Wrangler 4WD (RHD)

BODY
77 = 93.4 WB

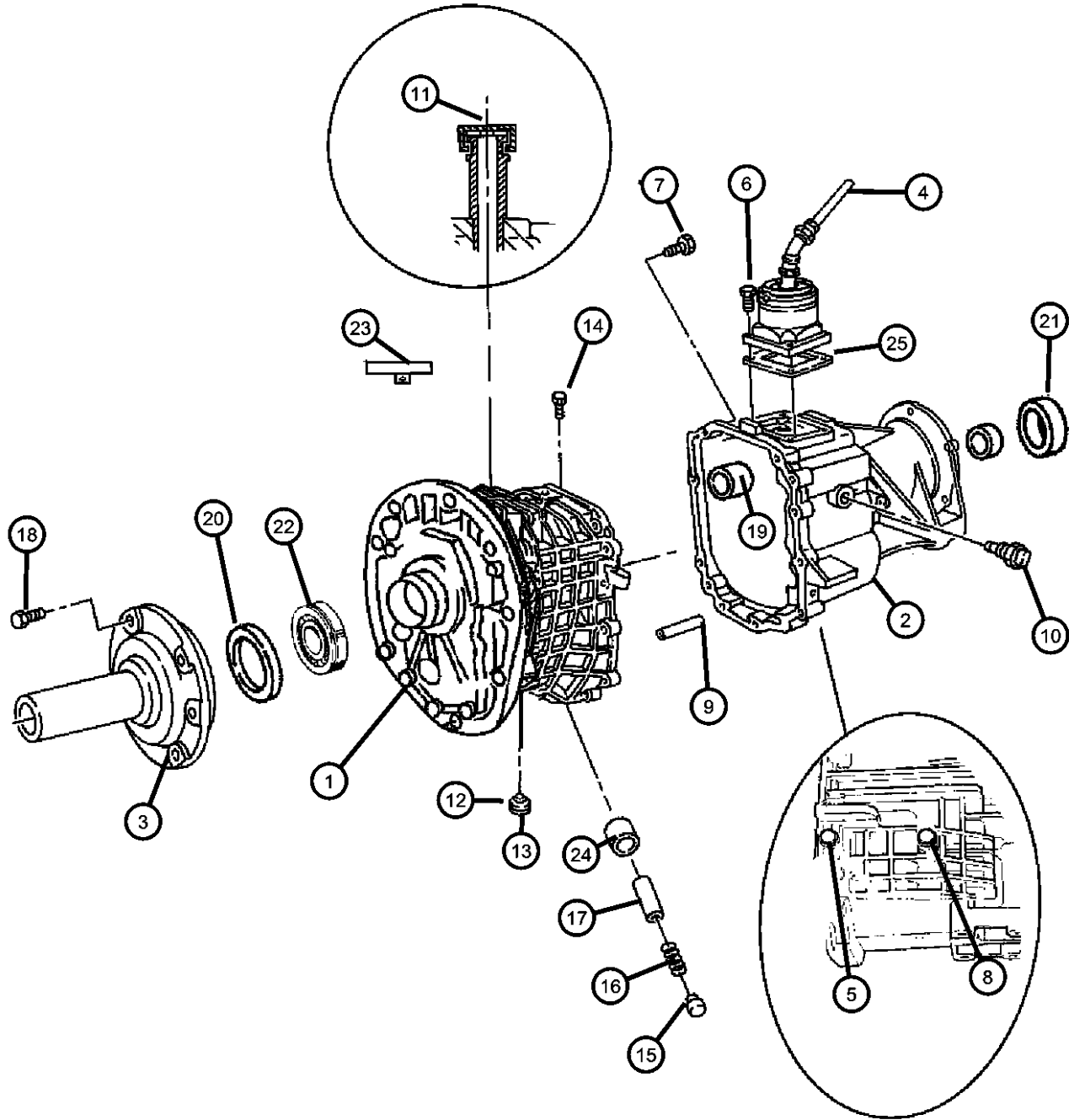
ENGINE
EPE = ENGINE - 2.5L POWER
TECH I-4 Cyl.
ERH = ENGINE - 4.0L
POWER TECH I-6

TRANSMISSION
DDD = TRANSMISSION - 5-SPEED
HD MANUAL
DDQ = TRANSMISSION - 5-SPEED
MANUAL
DGD = TRANSMISSION - 3-SPD.
AUTOMATIC,30RH
DGG = TRANSMISSION - 3-SPD.
AUTOMATIC,32RH
DG0 = All Automatic Transmissions
DBB = All Manual Transmissions
DD0 = All 5 Speed Manual
Transmissions

AR = use ase required - = Non illustrated part

2000 TJ

Case and Extension (DDD)
Figure 3550-210



ITEM	PART NUMBER	QTY	LINE	SERIES	BODY	ENGINE	TRANS	TRIM	DESCRIPTION
------	-------------	-----	------	--------	------	--------	-------	------	-------------

ERH= 4.0L Power Tech I-6

1	05015577AA	1				ER0	DDD		CASE, Transmission
2	05015948AA	1				ER0	DDD		CASE, Transmission Rear
3	05013306AA	1				ER0	DDD		RETAINER, Shaft
4	05015954AA	1				ER0	DDD		LEVER, Gearshift
5	04741313	1				ER0	DDD		BOLT, M8-1.25x70
6	04741144	4				ER0	DDK		BOLT, Hex Head
7	04741123	11				ER0	DDD		BOLT, Hex Head, M8x1.25x50
8	04741115	3				ER0			BOLT, Hex
9	04741122	2				ER0	DDC		PIN, Locating
10	05013336AA	1				ER0	DDD		SWITCH, Back Up Lamp
11	05015945AA	1				ER0	DDD		VENT, Transmission
12	04882280	1				ER0	DDD		PLUG, Oil Fill
13	04740903	1				ER0	DDD		PLUG, Oil Drain
14	05013321AA	1				ER0	DDD		PIN, Detent
15	04741128	1				ER0	DDD		CAP, Detent
16	04773182	1				ER0	DDD		SPRING, Shift Detent
17	05015949AA	1				ER0	DDD		PLUNGER
18	04741300	6				ER0	DDC		BOLT, Hex Head, M6x1.00x25
19	04741112	1				ER0	DDD		BEARING, Ball
20	04741296	1				ER0	DDD		SEAL, Input Shaft
21	04741118	1				ER0	DDD		SEAL, Output Shaft
22	04874174	1				ER0	DDD		BEARING, Input Shaft
23	05015945AA	1				ER0	DDD		VENT, Transmission
24	05012337AA	1				ER0	DDD		BUSHING, Transmission
25	04886153AA	1				ER0	DDD		SEAL, Shift Lever

WRANGLER (TJ)

SERIES LINE
H = Sport J = Wrangler 4WD
L = SE U = Wrangler 4WD (RHD)
P = Sahara

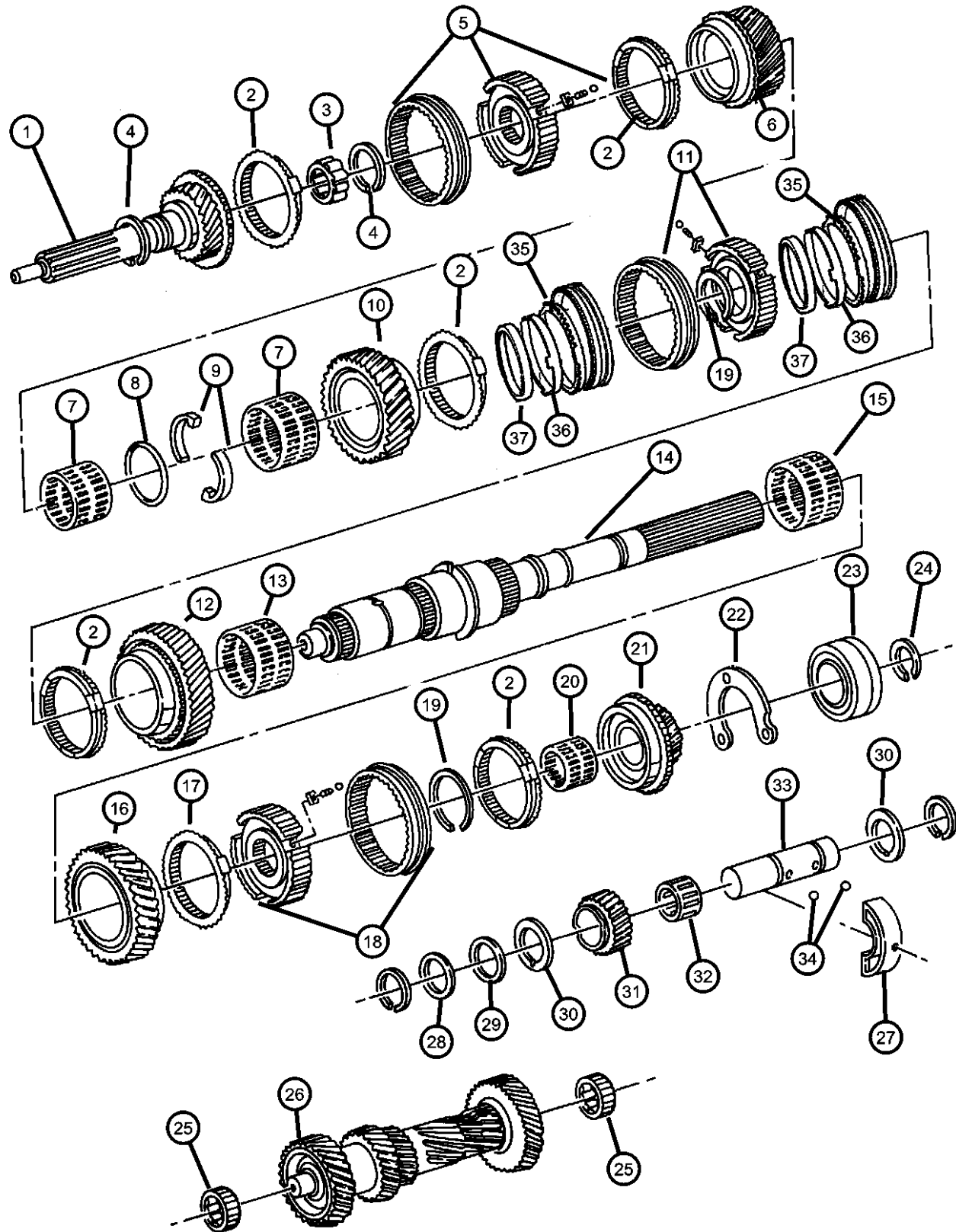
BODY
77 = 93.4 WB

ENGINE
EPE = ENGINE - 2.5L POWER
TECH I-4 Cyl.
ERH = ENGINE - 4.0L
POWER TECH I-6

TRANSMISSION
DDD = TRANSMISSION - 5-SPEED
HD MANUAL
DDQ = TRANSMISSION - 5-SPEED
MANUAL
DGD = TRANSMISSION - 3-SPD.
AUTOMATIC,30RH
DGG = TRANSMISSION - 3-SPD.
AUTOMATIC,32RH
DGO = All Automatic Transmissions
DBB = All Manual Transmissions
DDO = All 5 Speed Manual
Transmissions

AR = use ase required - = Non illustrated part

**Gear Train (DDD)
Figure 3550-410**



ITEM	PART NUMBER	QTY	LINE	SERIES	BODY	ENGINE	TRANS	TRIM	DESCRIPTION
ERH= 4.0L Power Tech I-6									
1	05013302AA	1				ER0	DDD		SHAFT, Input
2	04741277	2				ER0	DDD		STOP RING, Synchronizer
3	04741878	1				ER0	DDD		NEEDLE BEARING, Input Shaft
4	04741266	2				ER0	DDC		SNAP RING, Output Shaft Bearing
5	04741293	1				ER0	DDD		SYNCHRONIZER, Third and Fourth
6	05013195AA	1				ER0	DDD		GEAR, Third
7	05003039AA	1				ER0	DDD		NEEDLE BEARING, Second Gear
8	04897922AA	1				ER0	DDD		SNAP RING
9	05013192AA	2				ER0	DDD		WASHER, Output Shaft
10	05013194AA	1				ER0	DDD		GEAR, Second
11	05013191AA	1				ER0	DDD		SYNCHRONIZER, First and Second
12	05013189AA	1				ER0	DDD		GEAR, First
13	04741871	1				ER0	DDD		NEEDLE BEARING, Transmission
14	05013180AA	1				ER0	DDD		SHAFT, Output
15	04741871	1				ER0	DDD		NEEDLE BEARING, Transmission
16	05013185AA	1				ER0	DDD		GEAR, Reverse
17	04741285	1				ER0	DDD		STOP RING, Synchronizer
18	04741278	1				ER0	DDD		SYNCHRONIZER, Fifth And Reverse
19	04741805	1				ER0	DDD		RING, Transmission
20	04741273	1				ER0	DDD		BEARING, Needle
21	05015956AA	1				ER0	DDD		GEAR, Fifth
22	04741114	1				ER0	DDD		RETAINER, Transmission Output Shaft Bearing
23	04741866	1				ER0	DDD		BEARING, Output Shaft
24	04741266	2				ER0	DDC		SNAP RING, Output Shaft Bearing
25	05012971AA	2				ER0	DDD		BEARING, Countershaft
26	05015957AA	1				ER0	DDD		SHAFT, Counter
27	04741312	1				ER0	DDD		SUPPORT, Segment Idler Shaft

WRANGLER (TJ)

SERIES	LINE
H = Sport	J = Wrangler 4WD
L = SE	U = Wrangler 4WD (RHD)
P = Sahara	

BODY
77 = 93.4 WB

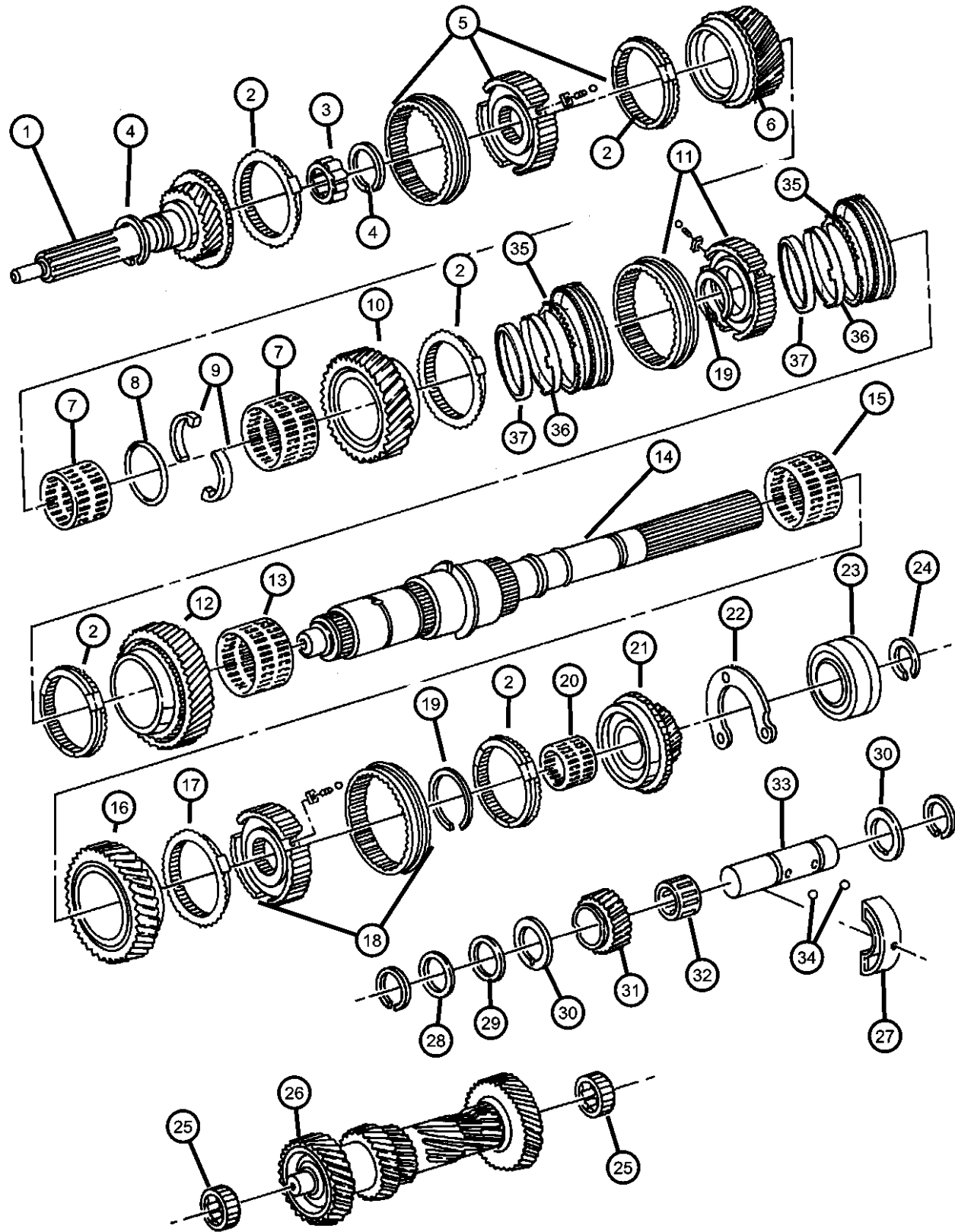
ENGINE
EPE = ENGINE - 2.5L POWER TECH I-4 Cyl.
ERH = ENGINE - 4.0L POWER TECH I-6

TRANSMISSION
DDD = TRANSMISSION - 5-SPEED HD MANUAL
DDQ = TRANSMISSION - 5-SPEED MANUAL
DGD = TRANSMISSION - 3-SPD. AUTOMATIC,30RH
DGG = TRANSMISSION - 3-SPD. AUTOMATIC,32RH
DGO = All Automatic Transmissions
DBB = All Manual Transmissions
DDO = All 5 Speed Manual Transmissions

AR = use ase required - = Non illustrated part

2000 TJ

**Gear Train (DDD)
Figure 3550-410**



ITEM	PART NUMBER	QTY	LINE	SERIES	BODY	ENGINE	TRANS	TRIM	DESCRIPTION
28	04741310	1				ER0	DDD		WASHER, Flat
29	04741309	1				ER0	DDD		WASHER, Idler Gear
30	04741307	2				ER0			THRUST WASHER, Reverse Idler
31	05013199AA	1				ER0	DDD		GEAR, Reverse Idler
32	04874359	1				ER0	DDD		BEARING, Idler
33	04741303	1				ER0	DDD		IDLER SHAFT, Transmission
34	04741891	2				ER0	DDD		BALL, Check, 4 mm
35	04874363	2				ER0	DDC		RING, Synchronizer Blocker
36	04874405	2				ER0	DDC		CONE, Synchronizer
37	04874404	2				ER0	DDC		RING

WRANGLER (TJ)

SERIES LINE
H = Sport J = Wrangler 4WD
L = SE U = Wrangler 4WD (RHD)
P = Sahara

BODY
77 = 93.4 WB

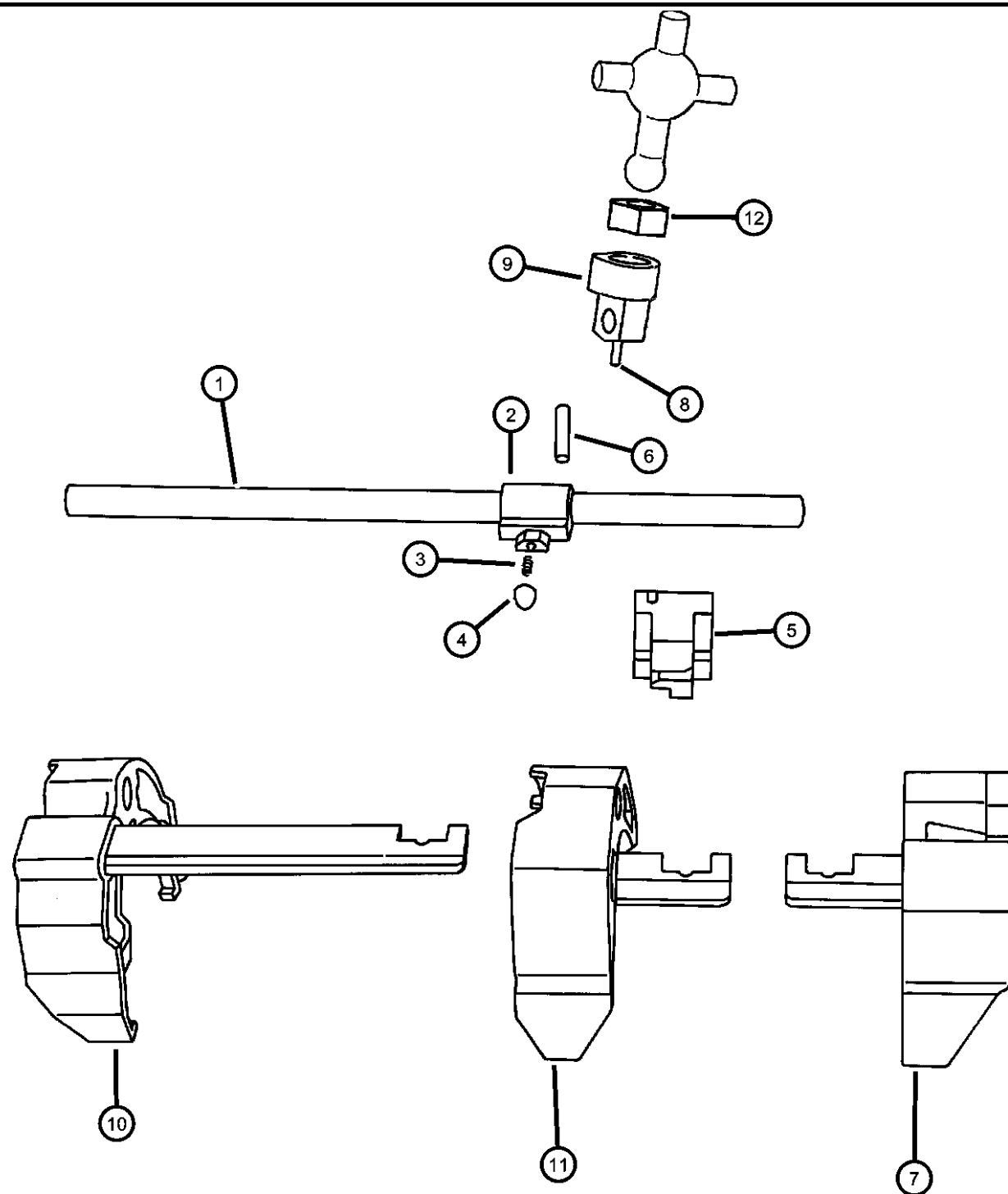
ENGINE
EPE = ENGINE - 2.5L POWER
TECH I-4 Cyl.
ERH = ENGINE - 4.0L
POWER TECH I-6

TRANSMISSION
DDD = TRANSMISSION - 5-SPEED
HD MANUAL
DDQ = TRANSMISSION - 5-SPEED
MANUAL
DGD = TRANSMISSION - 3-SPD.
AUTOMATIC,30RH
DGG = TRANSMISSION - 3-SPD.
AUTOMATIC,32RH
DGO = All Automatic Transmissions
DBB = All Manual Transmissions
DDO = All 5 Speed Manual
Transmissions

AR = use ase required - = Non illustrated part

2000 TJ

Fork and Rails (DDD)
Figure 3550-910



ITEM	PART NUMBER	QTY	LINE	SERIES	BODY	ENGINE	TRANS	TRIM	DESCRIPTION
ERH= 4.0L Power Tech I-6									
1	05015951AA	1				ER0	DDD		SHAFT, Selector
2	05014109AA	1				ER0	DDD		LEVER, Shift Shaft
3	04741137	3				ER0	DDD		SPRING, Lever
4	05015949AA	1				ER0	DDD		PLUNGER
5	05012337AA	1				ER0	DDD		BUSHING, Transmission
6	04741138	1				ER0	DDD		PIN, Shift Shaft
7	05015950AA	1				ER0	DDD		FORK, Third and Fourth
8	04741139	1				ER0	DDD		PIN, Shift Shaft
9	04874352	1				ER0	DDD		SOCKET, Shift Shaft
10	04773563AB	1				ER0	DDD		FORK, Transmission
11	05013178AA	1				ER0	DDD		FORK, First and Second
12	05012020AA	1				ER0	DDD		ISOLATOR, Shift Lever

WRANGLER (TJ)

SERIES LINE BODY
 H = Sport J = Wrangler 4WD 77 = 93.4 WB
 L = SE U = Wrangler 4WD (RHD)
 P = Sahara

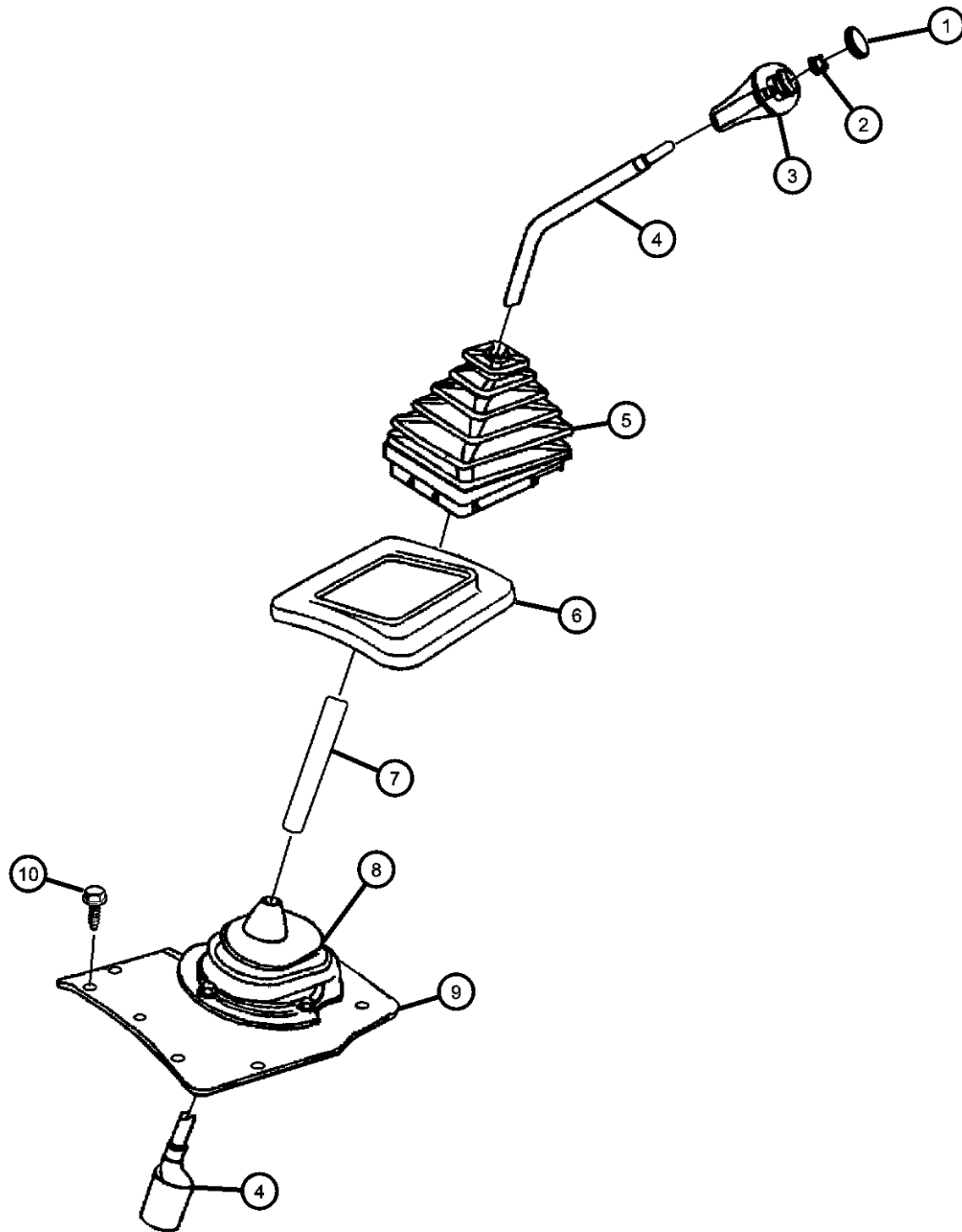
ENGINE TRANSMISSION
 EPE = ENGINE - 2.5L POWER TECH I-4 Cyl. DDD = TRANSMISSION - 5-SPEED HD MANUAL
 ERH = ENGINE - 4.0L POWER TECH I-6 DDQ = TRANSMISSION - 5-SPEED MANUAL
 DGD = TRANSMISSION - 3-SPD. AUTOMATIC,30RH
 DGG = TRANSMISSION - 3-SPD. AUTOMATIC,32RH
 DG0 = All Automatic Transmissions
 DBB = All Manual Transmissions
 DD0 = All 5 Speed Manual Transmissions

AR = use ase required - = Non illustrated part

2000 TJ

**Gearshift Controls (DDD)
Figure 3550-1210**

ITEM	PART NUMBER	QTY	LINE	SERIES	BODY	ENGINE	TRANS	TRIM	DESCRIPTION
ERH= 4.0L Power Tech I-6									
1	04446921	1					DBB		INSERT, Transmission Shift Knob
2	06502556	1					DBB		NUT, Hex, M10-1.5
3	52104174	1					DBB		KNOB, Gearshift
4									LEVER, Gearshift
	52078576AC	1	J				DBB		
	52078579AC	1	U				DBB		
5	52078558	1					DBB		BOOT, Gear Shift Lever
6	53000056	1					DBB		BEZEL, Gearshift Lever Boot
7	52104012	1					DBB		TUBE, Governor Support
8	52078970AC	1					DBB		BOOT, Inner Gearshift
9	52078971	1					DBB		COVER, Floor Pan
10	J4001701	9					DBB		SCREW, Hex Self Tapping, .19-16x.50



WRANGLER (TJ)

SERIES	LINE
H = Sport	J = Wrangler 4WD
L = SE	U = Wrangler 4WD (RHD)
P = Sahara	

BODY
77 = 93.4 WB

ENGINE
EPE = ENGINE - 2.5L POWER
TECH I-4 Cyl.
ERH = ENGINE - 4.0L
POWER TECH I-6

TRANSMISSION
DDD = TRANSMISSION - 5-SPEED
HD MANUAL
DDQ = TRANSMISSION - 5-SPEED
MANUAL
DGD = TRANSMISSION - 3-SPD.
AUTOMATIC,30RH
DGG = TRANSMISSION - 3-SPD.
AUTOMATIC,32RH
DG0 = All Automatic Transmissions
DBB = All Manual Transmissions
DD0 = All 5 Speed Manual
Transmissions

AR = use ase required - = Non illustrated part

Group - AISIN

Manual Transmission 5 Speed

Group - AISIN Manual Transmission 5 Speed

Group-Fig. No.

Illustration Title

Transmission Assembly

Transmission (DDQ) Fig. AISIN - 110

Case and Extension

Case and Extension AX5 (DDQ) Fig. AISIN - 210

Gear Train

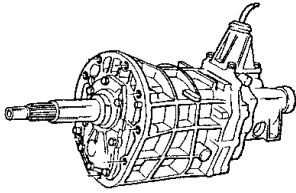
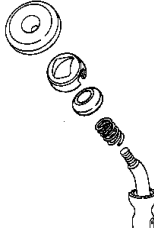
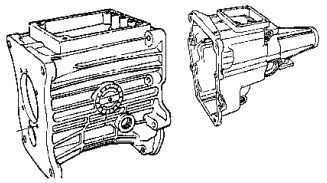
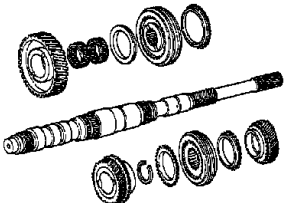
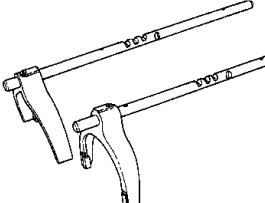
Gear Train AX5 (DDQ) Fig. AISIN - 410

Forks and Rails

Forks AX5 (DDQ) Fig. AISIN - 910

Gearshift Controls

Gearshift Controls (DDQ) Fig. AISIN - 1210

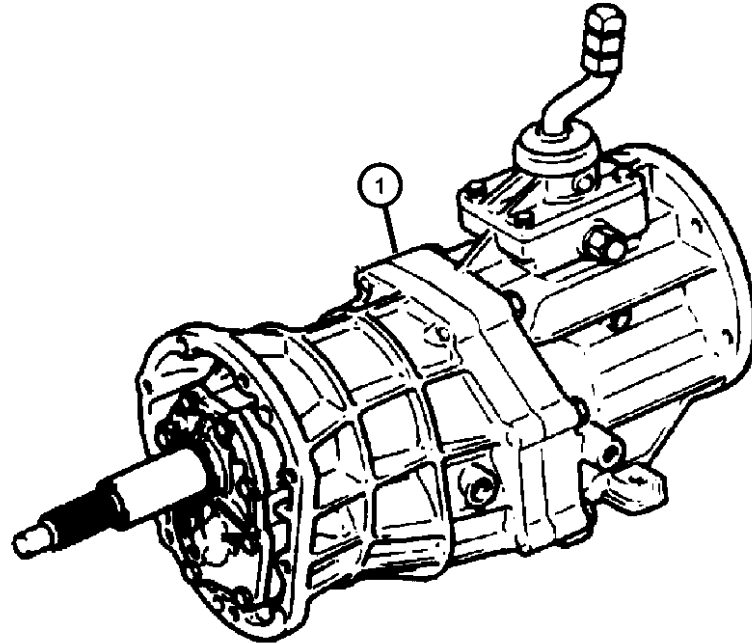
<p>AISIN-100 Transmission Assembly</p> 	<p>AISIN-1200 Gearshift Controls</p> 	<p>AISIN-200 Case and Extension</p> 	<p>AISIN-400 Gear Train</p> 
<p>AISIN-900 Forks and Rails</p> 			

Transmission (DDQ)
Figure AISIN-110

ITEM	PART NUMBER	QTY	LINE	SERIES	BODY	ENGINE	TRANS	TRIM	DESCRIPTION
------	-------------	-----	------	--------	------	--------	-------	------	-------------

Note:
EP0 = All 2.5L 4 Cyl Gas Engines
ER0 = All 4.0L 6 Cyl Gas Engines
DDQ = Manual Transmission 5 Speed

1	52104548	1				EP0	DDQ		TRANSMISSION, 5 Speed
---	----------	---	--	--	--	-----	-----	--	-----------------------



WRANGLER (TJ)

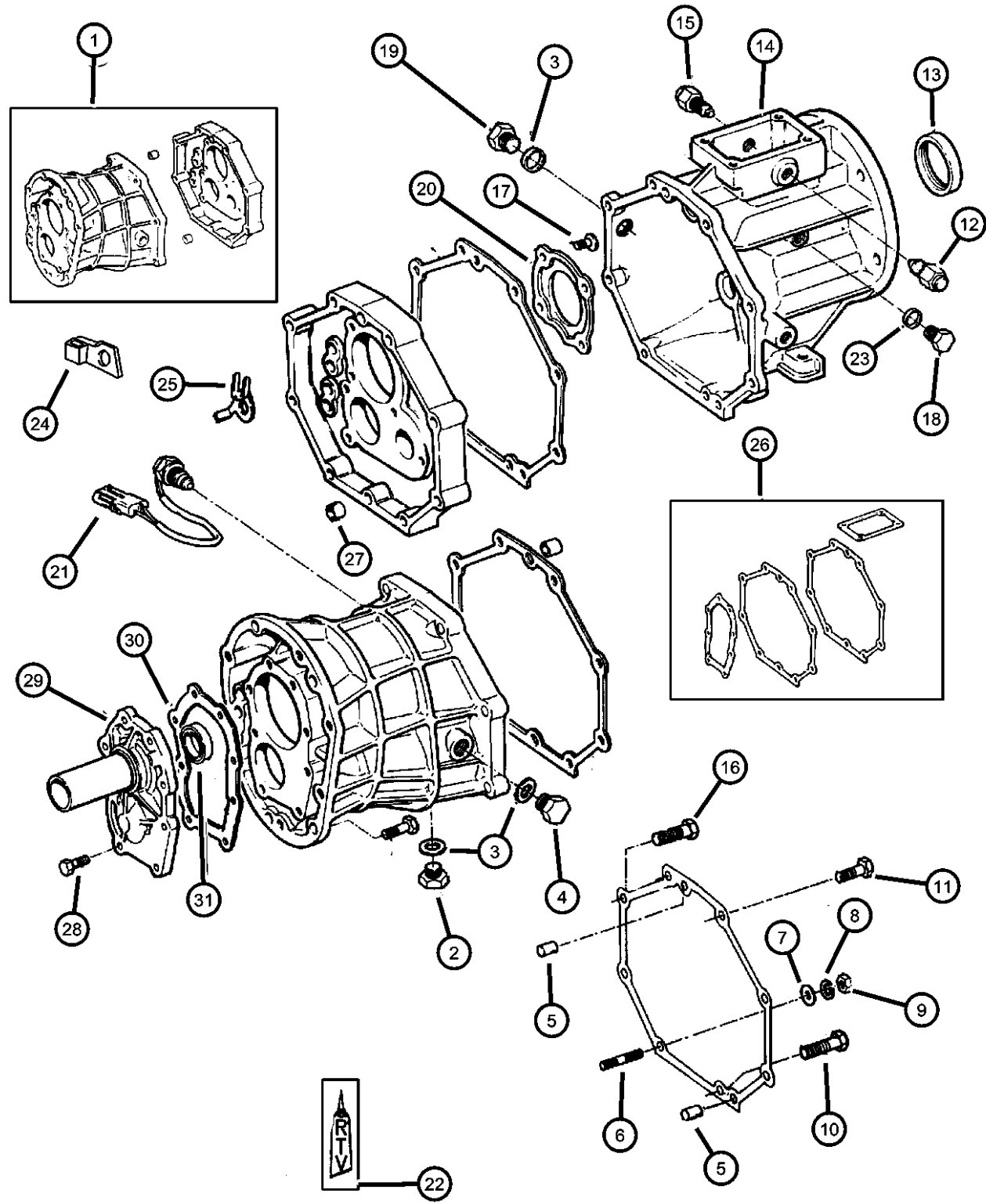
SERIES	LINE
H = Sport	J = Wrangler 4WD
L = SE	U = Wrangler 4WD (RHD)
P = Sahara	

BODY
77 = 93.4 WB

ENGINE
EPE = ENGINE - 2.5L POWER TECH I-4 Cyl.
ERH = ENGINE - 4.0L POWER TECH I-6

TRANSMISSION
DDD = TRANSMISSION - 5-SPEED HD MANUAL
DDQ = TRANSMISSION - 5-SPEED MANUAL
DGD = TRANSMISSION - 3-SPD. AUTOMATIC,30RH
DGG = TRANSMISSION - 3-SPD. AUTOMATIC,32RH
DG0 = All Automatic Transmissions
DBB = All Manual Transmissions
DD0 = All 5 Speed Manual Transmissions

Case and Extension AX5 (DDQ)
Figure AISIN-210



ITEM	PART NUMBER	QTY	LINE	SERIES	BODY	ENGINE	TRANS	TRIM	DESCRIPTION
Note: DDQ = 5 Speed Manual Transmission EP0 = All 2.5L 4 Cyl Gas Engines									
1	04897581AA	1				EP0	DDQ		CASE, Transmission
2	04543303	1				EP0	DDQ		PLUG, Differential Drain
3	83500513	2				EP0	DDQ		GASKET, Drain Plug
4	83500509	1				EP0	DDQ		PLUG, Oil Fill
5	83500504	4				EP0	DDQ		PIN, Locating
6	83500618	1				EP0	DDQ		STUD, Double Ended, M10x1.25x98
7	83500627	1				EP0	DDQ		WASHER, Flat
8	83500626	1				EP0	DDQ		WASHER, Lock
9	83500625	1				EP0	DDQ		NUT, Transmission Case
10	83503547	1				EP0	DDQ		BOLT
11	83503549	4				EP0	DDQ		BOLT
12	83500516	1				EP0	DDQ		PIN, Reverse Restrict
13	83503108	1				EP0	DDQ		SEAL, Adapter
14	04897133AA	1				EP0	DDQ		ADAPTER, Transfer Case
15	83500515	1				EP0	DDQ		PIN, Reverse
16	83503548	1				EP0	DDQ		BOLT
17	83500511	4				EP0	DDQ		SCREW, Manual Transmission
18	83503109	AR				EP0	DDQ		CAP, Detent
19	83500623	1				EP0	DDQ		PLUG, Oil Fill
20	83506034	1				EP0	DDQ		RETAINER, Bearing
21	83500629	1				EP0	DDQ		SWITCH, Back Up Lamp
22	04318025	1				EP0	DDQ		SEALANT, RTV
23	83500540	1				EP0	DDQ		PIN, Shift Shaft, Slotted
24	83500631	1				EP0	DDQ		CLAMP, Transmission
25	83503551	1				EP0	DDQ		CLAMP, Transmission
26	83500632	1				EP0	DDQ		GASKET, Transmission
27	05003663AA	2				EP0	DDQ		PIN, Locating

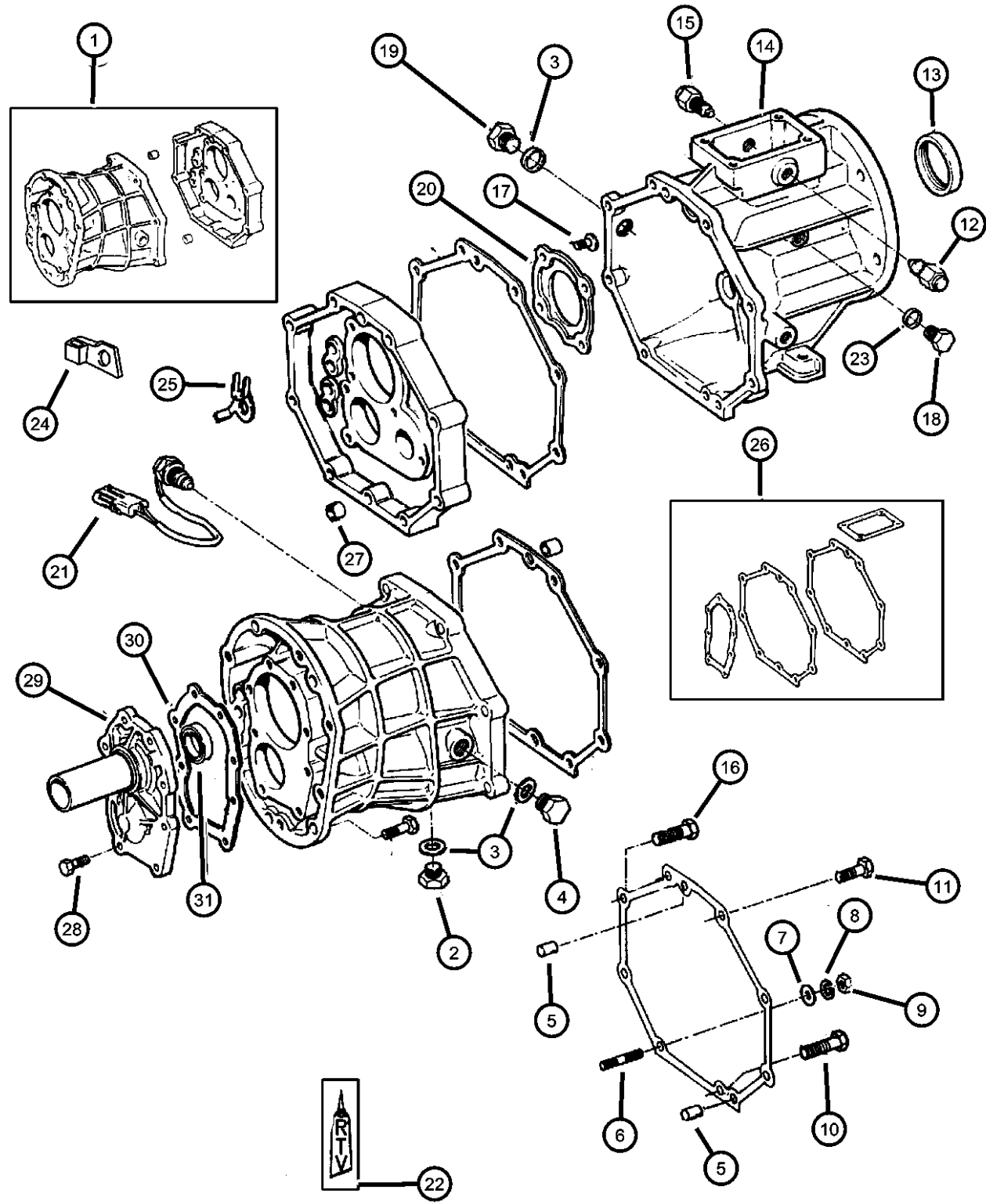
WRANGLER (TJ)

SERIES	LINE	BODY
H = Sport	J = Wrangler 4WD	77 = 93.4 WB
L = SE	U = Wrangler 4WD (RHD)	
P = Sahara		

ENGINE	TRANSMISSION
EPE = ENGINE - 2.5L POWER TECH I-4 Cyl.	DDD = TRANSMISSION - 5-SPEED HD MANUAL
ERH = ENGINE - 4.0L POWER TECH I-6	DDQ = TRANSMISSION - 5-SPEED MANUAL
	DGD = TRANSMISSION - 3-SPD. AUTOMATIC,30RH
	DGG = TRANSMISSION - 3-SPD. AUTOMATIC,32RH
	DG0 = All Automatic Transmissions
	DBB = All Manual Transmissions
	DD0 = All 5 Speed Manual Transmissions

AR = use ase required - = Non illustrated part

Case and Extension AX5 (DDQ)
Figure AISIN-210



ITEM	PART NUMBER	QTY	LINE	SERIES	BODY	ENGINE	TRANS	TRIM	DESCRIPTION
28	34201818	8				EP0	DDQ		SCREW, Hex Head, M8x1.25x25
29	04746025	1				EP0	DDQ		RETAINER, Bearing
30	83500505	AR				EP0	DDQ		GASKET, Input Gear Retainer
31	83506045	1				EP0	DDQ		SEAL, Main Shaft

WRANGLER (TJ)

SERIES	LINE
H = Sport	J = Wrangler 4WD
L = SE	U = Wrangler 4WD (RHD)
P = Sahara	

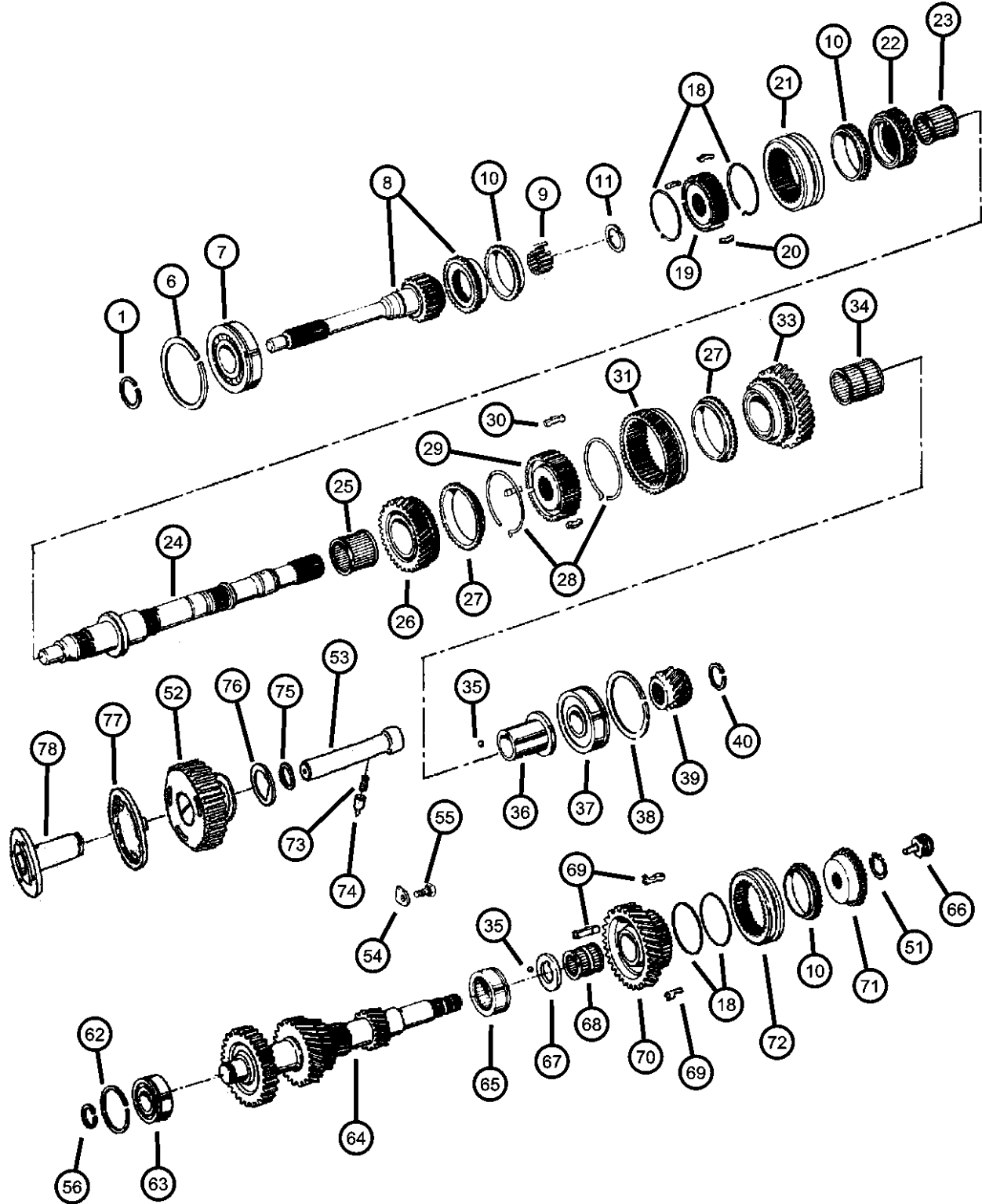
BODY
77 = 93.4 WB

ENGINE
EPE = ENGINE - 2.5L POWER TECH I-4 Cyl.
ERH = ENGINE - 4.0L POWER TECH I-6

TRANSMISSION
DDD = TRANSMISSION - 5-SPEED HD MANUAL
DDQ = TRANSMISSION - 5-SPEED MANUAL
DGD = TRANSMISSION - 3-SPD. AUTOMATIC,30RH
DGG = TRANSMISSION - 3-SPD. AUTOMATIC,32RH
DG0 = All Automatic Transmissions
DBB = All Manual Transmissions
DD0 = All 5 Speed Manual Transmissions

AR = use ase required - = Non illustrated part

**Gear Train AX5 (DDQ)
Figure AISIN-410**



ITEM	PART NUMBER	QTY	LINE	SERIES	BODY	ENGINE	TRANS	TRIM	DESCRIPTION
1	83500611	1				EP0	DDQ		SNAP RING, Input Shaft, 2.30mm
-2	83500610	1				EP0	DDQ		SNAP RING, Input Shaft, 2.25mm
-3	83500609	1				EP0	DDQ		SNAP RING, Input Shaft, 2.20mm
-4	83500608	1				EP0	DDQ		SNAP RING, Input Shaft, 2.15mm
-5	83500607	1				EP0	DDQ		SNAP RING, Input Shaft, 2.10mm
6	83500614	1				EP0	DDQ		SNAP RING
7	83502681	2				EP0	DDQ		BEARING, Input Shaft
8	83506020	1				EP0	DDQ		SHAFT, Input
9	83502680	13				EP0	DDQ		ROLLER, Input Gear
10	83500566	3				EP0	DDQ		STOP RING, Synchronizer
11	83500598	1				EP0	DDQ		SNAP RING, Mainshaft, 1.75mm
-12	83500599	1				EP0	DDQ		SNAP RING, Mainshaft, 1.80mm
-13	83500602	1				EP0	DDQ		SNAP RING, Mainshaft, 1.85mm
-14	83500603	1				EP0	DDQ		SNAP RING, Mainshaft, 1.90mm
-15	83500604	1				EP0	DDQ		SNAP RING, Mainshaft, 1.95mm
-16	83500605	1				EP0	DDQ		SNAP RING, Mainshaft, 2.00mm
-17	83500606	1				EP0	DDQ		SNAP RING, Mainshaft, 2.05mm
18	83500568	4				EP0	DDQ		SPRING, Synchronizer Key
19	83506027	1				EP0	DDQ		SYNCHRONIZER, Third and Fourth
20	83506029	3				EP0	DDQ		KEY, Synchronizer
21	04740235	AR				EP0	DDQ		SLEEVE, Synchromesh Clutch Gear
22	83506019	1				EP0	DDQ		GEAR, Third
23	83500576	2				EP0	DDQ		BEARING, Third Gear
24	83503105	1				EP0	DDQ		MAINSHAFT, Transmission
25	83500577	2				EP0	DDQ		BEARING, Second Gear
26	83506018	1				EP0	DDQ		GEAR, Second

Note:
 EPE = 2.5L SMPI Magnum 4 Cyl Engine
 EP0 = All 2.5L 4 Cyl Gas Engines
 DDQ = Manual Transmission 5 Speed

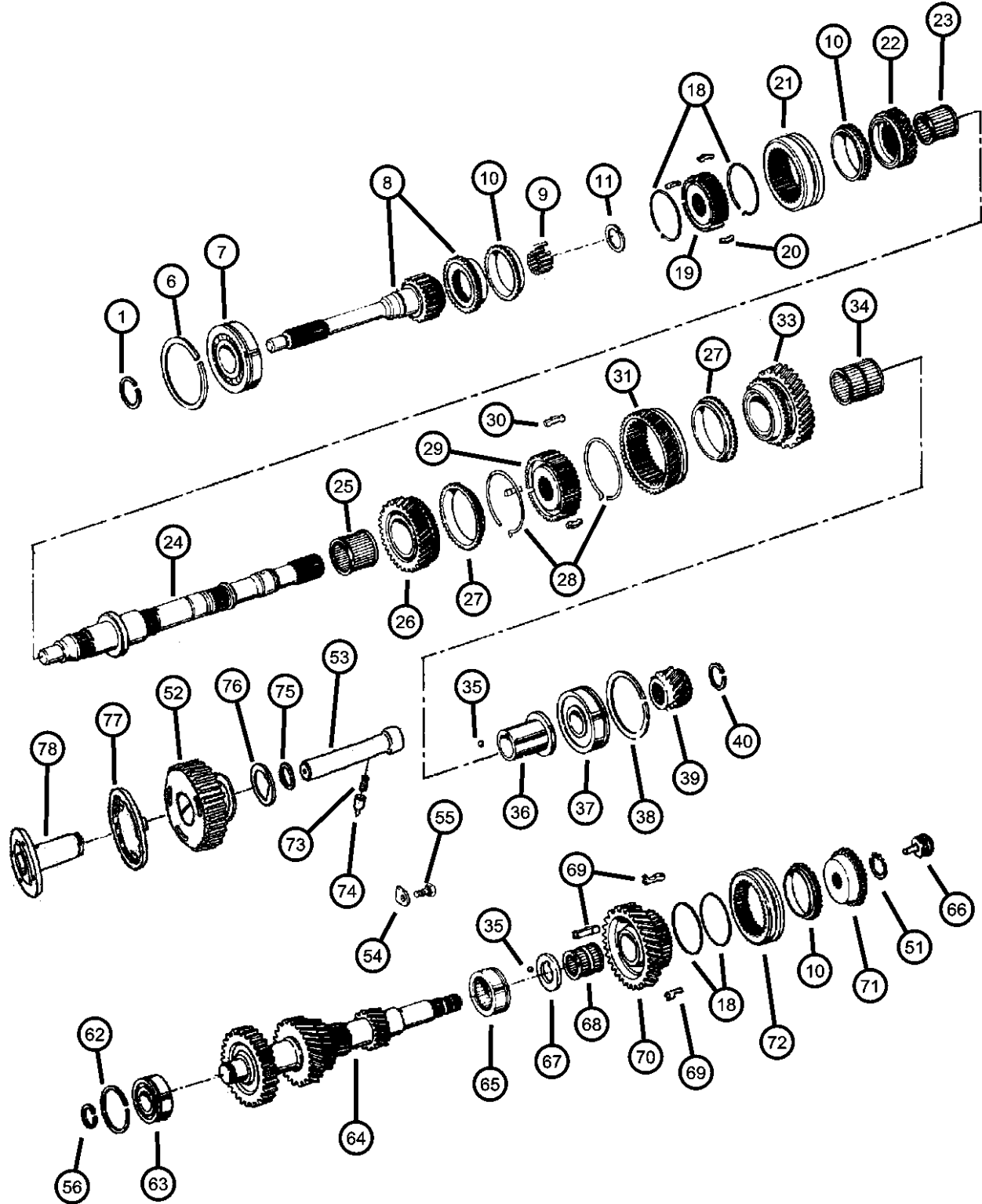
WRANGLER (TJ)

SERIES	LINE	BODY
H = Sport	J = Wrangler 4WD	77 = 93.4 WB
L = SE	U = Wrangler 4WD (RHD)	
P = Sahara		

ENGINE	TRANSMISSION
EPE = ENGINE - 2.5L POWER TECH I-4 Cyl.	DDD = TRANSMISSION - 5-SPEED HD MANUAL
ERH = ENGINE - 4.0L POWER TECH I-6	DDQ = TRANSMISSION - 5-SPEED MANUAL
	DGD = TRANSMISSION - 3-SPD. AUTOMATIC,30RH
	DGG = TRANSMISSION - 3-SPD. AUTOMATIC,32RH
	DG0 = All Automatic Transmissions
	DBB = All Manual Transmissions
	DD0 = All 5 Speed Manual Transmissions

AR = use ase required - = Non illustrated part

**Gear Train AX5 (DDQ)
Figure AISIN-410**



ITEM	PART NUMBER	QTY	LINE	SERIES	BODY	ENGINE	TRANS	TRIM	DESCRIPTION
27	83500567	2				EP0	DDQ		STOP RING, Synchronizer
28	83500569	2				EP0	DDQ		SPRING, Synchronizer Key
29	83500561	1				EP0	DDQ		SYNCHRONIZER, First and Second
30	83500564	3				EP0	DDQ		KEY, Synchronizer
31	04897101AA	1				EP0	DDQ		GEAR, Reverse
-32	04897102AA	1				EP0	DDQ		GEAR, Reverse Idler, With Transmission Stamp # [52104548]
33	83506017	1				EP0	DDQ		GEAR, First
34	83506031	2				EP0	DDQ		BEARING, First Gear
35	83500573	2				EP0	DDQ		BALL, Reverse
36	83506026	1				EP0	DDQ		RACE, First Gear
37	83506030	2				EP0	DDQ		BEARING, Mainshaft
38	83500613	1				EP0	DDQ		SNAP RING
39	83500971	1				EP0	DDQ		GEAR, Fifth
40	83500587	1				EP0	DDQ		SNAP RING, Mainshaft, 2.67-2.72mm
-41	83500588	1				EP0	DDQ		SNAP RING, Mainshaft, 2.73-2.78mm
-42	83500589	1				EP0	DDQ		SNAP RING, Mainshaft, 2.79-2.84mm
-43	83500590	1				EP0	DDQ		SNAP RING, Mainshaft, 2.85-2.90mm
-44	83500591	1				EP0	DDQ		SNAP RING, Mainshaft, 2.91-2.96mm
-45	83500592	1				EP0	DDQ		SNAP RING, Mainshaft, 2.97-3.02mm
-46	83500593	1				EP0	DDQ		SNAP RING, Mainshaft, 3.03-3.08mm
-47	83500594	1				EP0	DDQ		SNAP RING, Mainshaft, 3.09-3.14mm
-48	83500595	1				EP0	DDQ		SNAP RING, Mainshaft, 3.15-3.20mm
-49	83500596	1				EP0	DDQ		SNAP RING, Mainshaft, 3.21-3.26mm
-50	83500597	1				EP0	DDQ		SNAP RING, Mainshaft, 3.27mm/3.32mm

WRANGLER (TJ)

SERIES LINE
H = Sport J = Wrangler 4WD
L = SE U = Wrangler 4WD (RHD)
P = Sahara

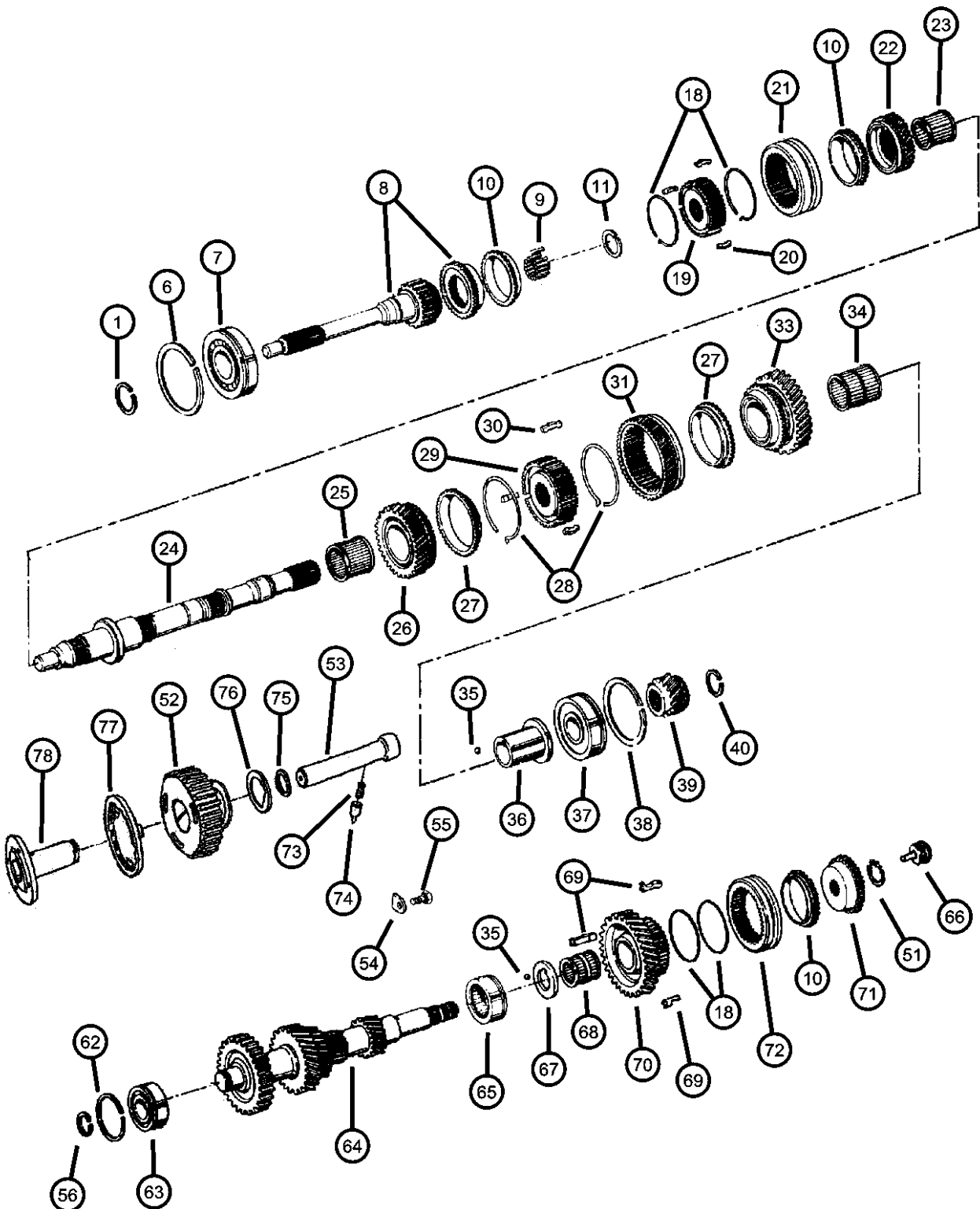
BODY
77 = 93.4 WB

ENGINE
EPE = ENGINE - 2.5L POWER TECH I-4 Cyl.
ERH = ENGINE - 4.0L POWER TECH I-6

TRANSMISSION
DDD = TRANSMISSION - 5-SPEED HD MANUAL
DDQ = TRANSMISSION - 5-SPEED MANUAL
DGD = TRANSMISSION - 3-SPD. AUTOMATIC,30RH
DGG = TRANSMISSION - 3-SPD. AUTOMATIC,32RH
DG0 = All Automatic Transmissions
DBB = All Manual Transmissions
DD0 = All 5 Speed Manual Transmissions

AR = use ase required - = Non illustrated part

**Gear Train AX5 (DDQ)
Figure AISIN-410**



ITEM	PART NUMBER	QTY	LINE	SERIES	BODY	ENGINE	TRANS	TRIM	DESCRIPTION
51	83506035	1				EP0	DDQ		SNAP RING PACKAGE, Transmission
52	04897102AA	1				EP0	DDQ		GEAR, Reverse Idler
53	04897104AA	1				EP0	DDQ		IDLER SHAFT, Transmission
54	04883380AA	1				EP0	DDQ		STOPPER, Idler Shaft
55	83500615	1				EP0	DDQ		BOLT AND LOCK WASHER, Hex Head, M8x1.25x20
56	83500581	1				EP0	DDQ		SNAP RING, Cluster Gear, 2.05mm
-57	83500582	1				EP0	DDQ		SNAP RING, Cluster Gear, 2.10-2.15mm
-58	83500583	1				EP0	DDQ		SNAP RING, Cluster Gear, 2.15mm
-59	83500584	1				EP0	DDQ		SNAP RING, Cluster Gear, 2.20mm
-60	83500585	1				EP0	DDQ		SNAP RING, Cluster Gear, 2.25mm
-61	83500586	1				EP0	DDQ		SNAP RING, Cluster Gear, 2.30mm
62	83500612	1				EP0	DDQ		SNAP RING
63	83506032	1				EP0	DDQ		BEARING, Cluster Gear
64	04897103AA	1				EP0	DDQ		GEAR, Countershaft
65	83506033	1				EP0	DDQ		BEARING, Cluster Gear
66	83500646	1				EP0	DDQ		PIPE, Oil Receiver
67	83506025	1				EP0	DDQ		THRUST WASHER, Fourth Gear
68	83500644	2				EP0	DDQ		NEEDLE BEARING, Fifth Gear
69	83500641	3				EP0	DDQ		KEY, Synchronizer, No. 3
70	83506022	1				EP0	DDQ		GEAR, Countershaft Fifth
71	83506024	1				EP0	DDQ		GEAR, Fifth Splined
72	04746657	1				EP0	DDQ		SLEEVE, Synchronizer
73	04897110AA	1				EP0	DDQ		SPRING, Compression
74	04897109AA	1				EP0	DDQ		PIN
75	04897112AA	1				EP0	DDQ		RING, Snap
76	04897108AA	1				EP0	DDQ		PLATE, Transmission Idler Shaft
77	04897111AA	1				EP0	DDQ		RING, Transmission
78	04897107AA	1				EP0	DDQ		RACE, Idler Gear

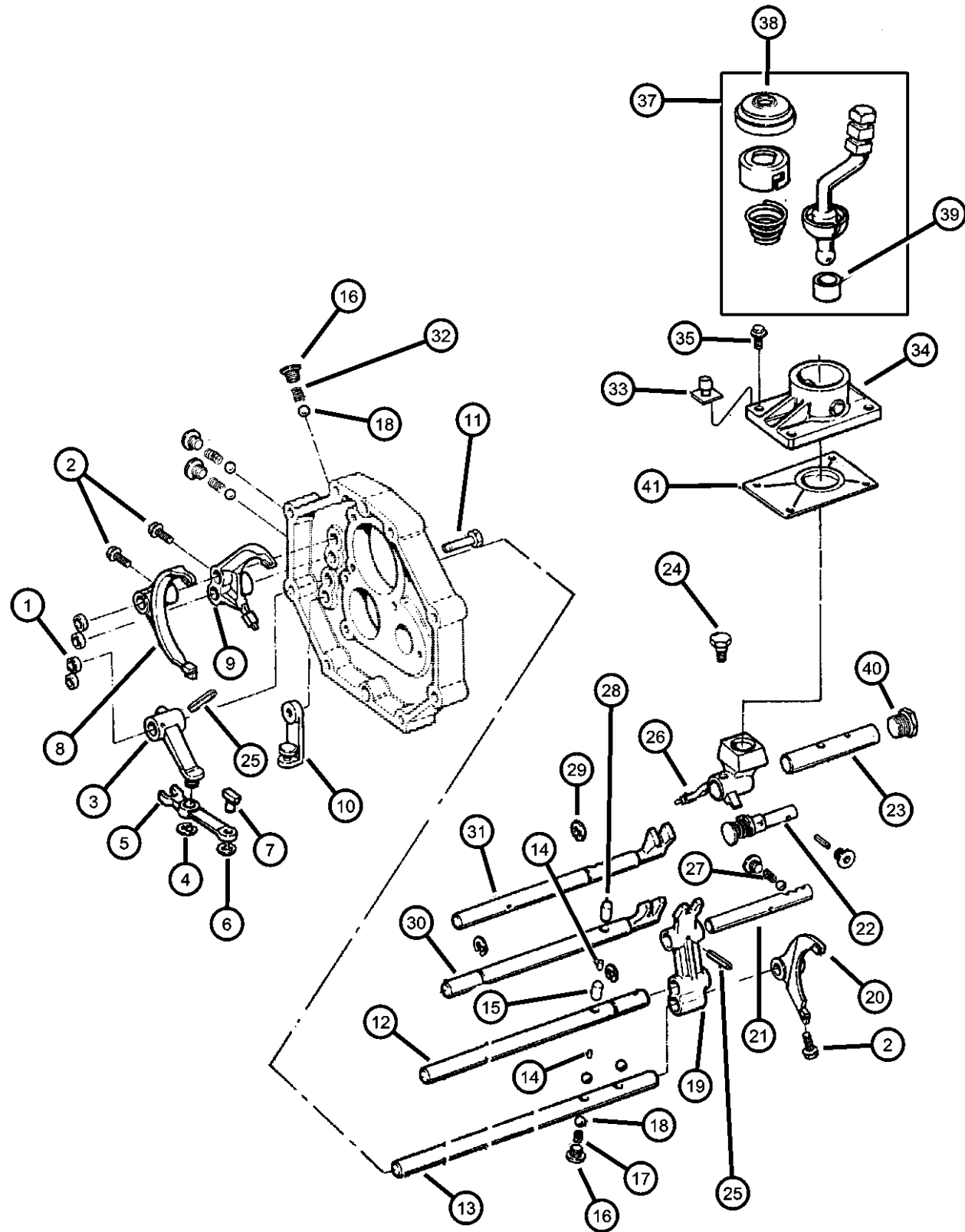
WRANGLER (TJ)

SERIES	LINE	BODY
H = Sport	J = Wrangler 4WD	77 = 93.4 WB
L = SE	U = Wrangler 4WD (RHD)	
P = Sahara		

ENGINE	TRANSMISSION
EPE = ENGINE - 2.5L POWER TECH I-4 Cyl.	DDD = TRANSMISSION - 5-SPEED HD MANUAL
ERH = ENGINE - 4.0L POWER TECH I-6	DDQ = TRANSMISSION - 5-SPEED MANUAL
	DGD = TRANSMISSION - 3-SPD. AUTOMATIC,30RH
	DGG = TRANSMISSION - 3-SPD. AUTOMATIC,32RH
	DGO = All Automatic Transmissions
	DBB = All Manual Transmissions
	DD0 = All 5 Speed Manual Transmissions

AR = use ase required - = Non illustrated part

Forks AX5 (DDQ)
Figure AISIN-910



ITEM	PART NUMBER	QTY	LINE	SERIES	BODY	ENGINE	TRANS	TRIM	DESCRIPTION
------	-------------	-----	------	--------	------	--------	-------	------	-------------

Note:
DDK = 5 Speed Heavy Duty Manual Transmission
DDQ = 5 Speed Manual Transmission
EPE = 2.5L SMPI MAGNUM 4 Cyl Engine
EPO = All 2.5L 4 Cyl Gas Engines

1	83500503	4				EPO	DDQ		PLUG, Shift Rail
2	83502664	3				EPO	DDQ		BOLT, Shift Fork
3	83500526	1				EPO	DDQ		FORK, Transmission
4	83500547	1				EPO	DDQ		SNAP RING
5	04897099AA	1				EPO	DDQ		ARM, Reverse Shift
6	83500547	1				EPO	DDQ		SNAP RING
7	04897100AA	1				EPO	DDQ		SHOE, Shift Lever
8	04740236	1				EPO	DDQ		FORK PACKAGE, Shift
9	83502662	1				EPO	DDQ		FORK, Transmission
10	83500531	1				EPO	DDQ		BRACKET, Reverse Arm
11	83500549	2				EPO	DDQ		BOLT, Bearing Retainer
12	04746659	1				EPO	DDQ		SHAFT, Gear Shift Fork, Number 3
13	04746660	1				EPO	DDQ		SHAFT, Gear Shift Fork, Number 4
14	83500537	2				EPO	DDQ		PIN, Shift Shaft
15	83500541	1				EPO	DDQ		PIN, Interlock, 21.6mm
16	83500524	1				EPO	DDQ		PLUG, Transmission
17	83500638	1				EPO	DDQ		SPRING, Compression Shift
18	83500542	7				EPO	DDQ		BALL, Gearshift Fork Lock
19	04746658	1				EPO	DDQ		HEAD, Shifter Shaft
20	04746656	1				EPO	DDQ		FORK, Transmission
21	83500536	1				EPO	DDQ		SHAFT, Selector
22	83500515	1				EPO	DDQ		PIN, Reverse
23	83500514	1				EPO	DDQ		SHAFT, Shift Lever
24	83506036	1				EPO	DDQ		BOLT
25	83500540	1				EPO	DDQ		PIN, Shift Shaft
26	83500636	1				EPO	DDQ		HOUSING, Shift Lever

WRANGLER (TJ)

SERIES LINE
H = Sport J = Wrangler 4WD
L = SE U = Wrangler 4WD (RHD)
P = Sahara

BODY
77 = 93.4 WB

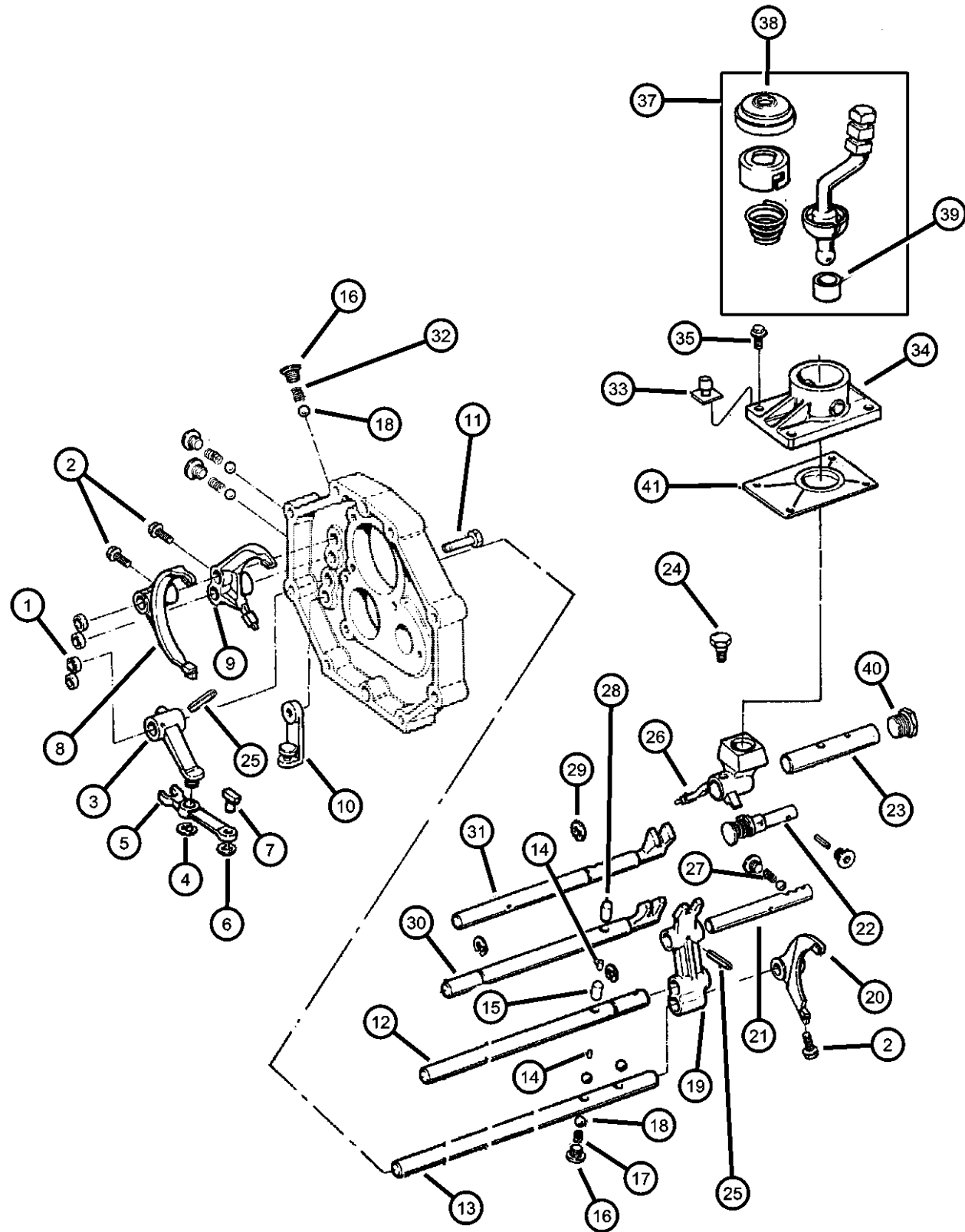
ENGINE
EPE = ENGINE - 2.5L POWER
TECH I-4 Cyl.
ERH = ENGINE - 4.0L
POWER TECH I-6

TRANSMISSION
DDD = TRANSMISSION - 5-SPEED
HD MANUAL
DDQ = TRANSMISSION - 5-SPEED
MANUAL
DGD = TRANSMISSION - 3-SPD.
AUTOMATIC,30RH
DGG = TRANSMISSION - 3-SPD.
AUTOMATIC,32RH
DGO = All Automatic Transmissions
DBB = All Manual Transmissions
DD0 = All 5 Speed Manual
Transmissions

AR = use ase required - = Non illustrated part

2000 TJ

Forks AX5 (DDQ)
Figure AISIN-910



ITEM	PART NUMBER	QTY	LINE	SERIES	BODY	ENGINE	TRANS	TRIM	DESCRIPTION
27	83500544	1				EP0	DDQ		SPRING, Compression
28	83500543	1				EP0	DDQ		PIN, Interlock, 30.3mm
29	83506054	3				EP0	DDQ		SNAP RING
30	04874510	AR				EP0	DDQ		SHAFT, Gear Shift Fork, Number 1
31	83506047	AR				EP0	DDQ		SHAFT, Gear Shift Fork, Number 2
32	83500545	3				EP0	DDQ		SPRING, Compression Detent
33	04864215	1				EP0	DDQ		CAP, Vent
34	04864211	1				EP0	DDQ		RETAINER, Transmission
35	83503107	2				EP0	DDQ		BOLT
-36	83500525	2				EP0	DDQ		BOLT AND LOCK WASHER, Hex Head, M8x1.25x30
37	04882436	1				EP0	DDQ		LEVER, Gearshift
38	83500520	1				EP0	DDQ		BOOT, Gearshift
39	83500519	1				EP0	DDQ		BUSHING, Shift Lever
40	83503109	AR				EP0	DDQ		CAP, Detent
41	04864216	1				EP0	DDQ		SHIELD, Transmission

WRANGLER (TJ)

SERIES LINE BODY
H = Sport J = Wrangler 4WD 77 = 93.4 WB
L = SE U = Wrangler 4WD (RHD)
P = Sahara

BODY
77 = 93.4 WB

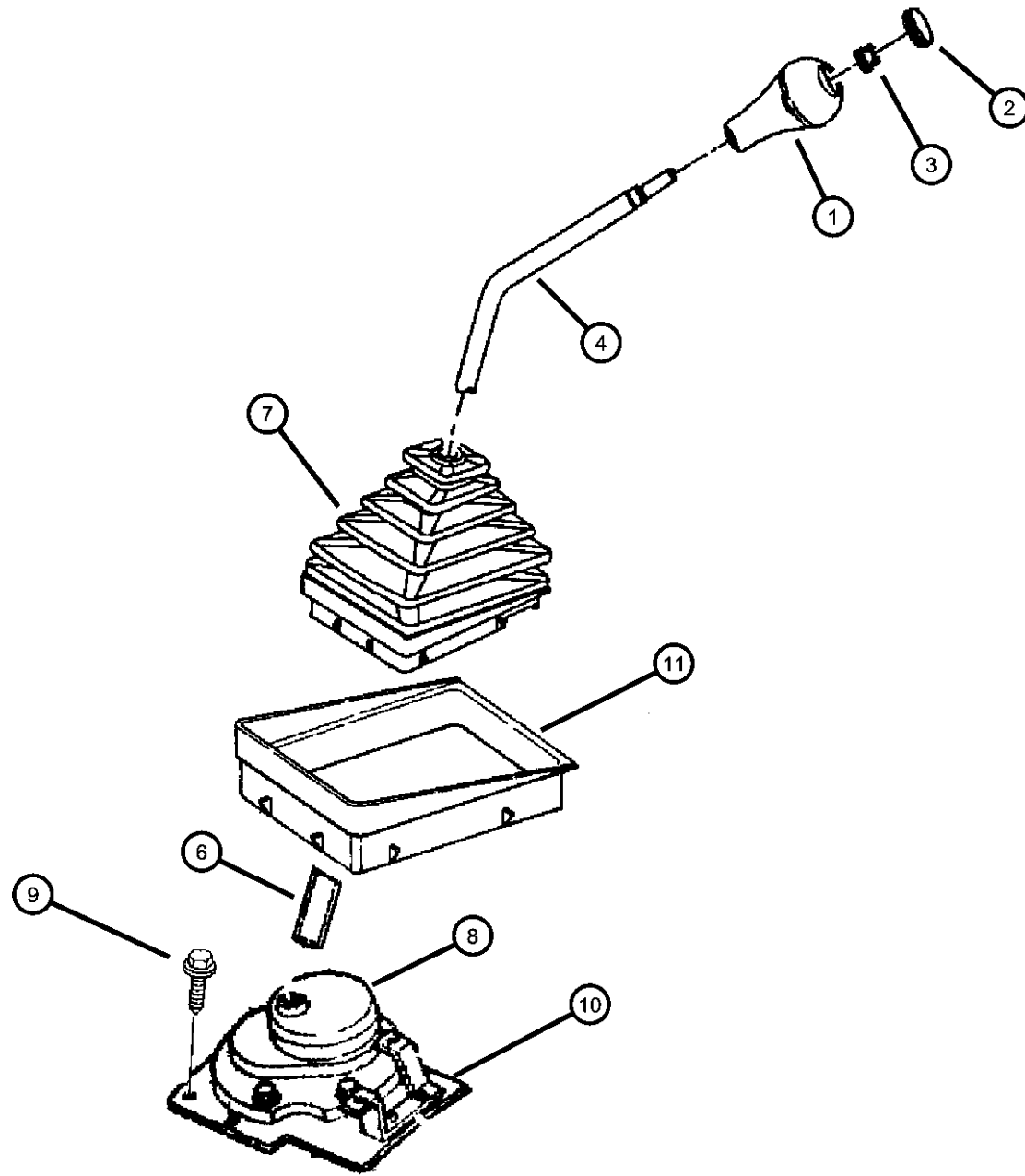
ENGINE
EPE = ENGINE - 2.5L POWER TECH I-4 Cyl.
ERH = ENGINE - 4.0L POWER TECH I-6

TRANSMISSION
DDD = TRANSMISSION - 5-SPEED HD MANUAL
DDQ = TRANSMISSION - 5-SPEED MANUAL
DGD = TRANSMISSION - 3-SPD. AUTOMATIC,30RH
DGG = TRANSMISSION - 3-SPD. AUTOMATIC,32RH
DGO = All Automatic Transmissions
DBB = All Manual Transmissions
DD0 = All 5 Speed Manual Transmissions

AR = use ase required - = Non illustrated part

2000 TJ

**Gearshift Controls (DDQ)
Figure AISIN-1210**



ITEM	PART NUMBER	QTY	LINE	SERIES	BODY	ENGINE	TRANS	TRIM	DESCRIPTION
Note: DBB = All Manual Transmissions									
1	52104174	1					DBB		KNOB, Gearshift
2	04446921	1					DBB		INSERT, Transmission Shift Knob
3	06502556	1					DBB		NUT, Hex, M10-1.5
4									LEVER, Gearshift
	52078576AC	1	J				DBB		
	52078579AC	1	U				DBB		
-5									LEVER, Gearshift
	52078576AC	1	J				DBB		
	52078579AC	1	U				DBB		
6	52104012	1					DBB		TUBE, Governor Support
7	52078558	1					DBB		BOOT, Gear Shift Lever
8	52078970	1					DBB		BOOT, Inner Gearshift
9	11502843	4					DBB		SCREW, Hex Flange Head, M4.2x1.41x13.00
10	52078971	1					DBB		COVER, Floor Pan
11	53000056	1					DBB		BEZEL, Gearshift Lever Boot

WRANGLER (TJ)

SERIES LINE
H = Sport J = Wrangler 4WD
L = SE U = Wrangler 4WD (RHD)
P = Sahara

BODY
77 = 93.4 WB

ENGINE
EPE = ENGINE - 2.5L POWER
TECH I-4 Cyl.
ERH = ENGINE - 4.0L
POWER TECH I-6

TRANSMISSION
DDD = TRANSMISSION - 5-SPEED
HD MANUAL
DDQ = TRANSMISSION - 5-SPEED
MANUAL
DGD = TRANSMISSION - 3-SPD.
AUTOMATIC,30RH
DGG = TRANSMISSION - 3-SPD.
AUTOMATIC,32RH
DG0 = All Automatic Transmissions
DBB = All Manual Transmissions
DD0 = All 5 Speed Manual
Transmissions

AR = use ase required - = Non illustrated part

2000 TJ

Group - 231

Transfer Case Model 231 [DHJ, DHK, DHN]

Group - 231 Transfer Case Model 231 [DHJ, DHK, DHN]

Illustration Title

Group-Fig. No.

Transfer Case Assembly

Transfer Case Command Trac (DHN) Fig. 231 - 110

Case and Related Parts

Case and Related Parts Command Trac (DHN) Fig. 231 - 210

Gear Train

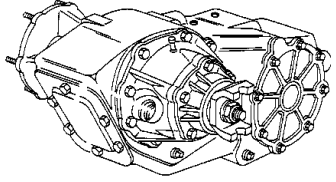
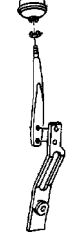
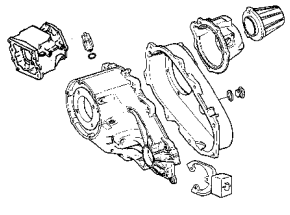
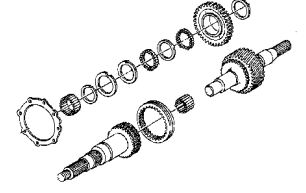
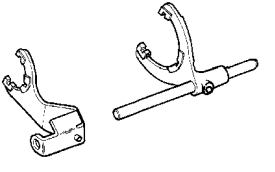
Gear Train Command Trac (DHN) Fig. 231 - 410

Fork and Rails

Forks and Rails Command Trac (DHN) Fig. 231 - 910

Gearshift Controls

Gearshift Controls Command Trac (DHN) Fig. 231 - 1210

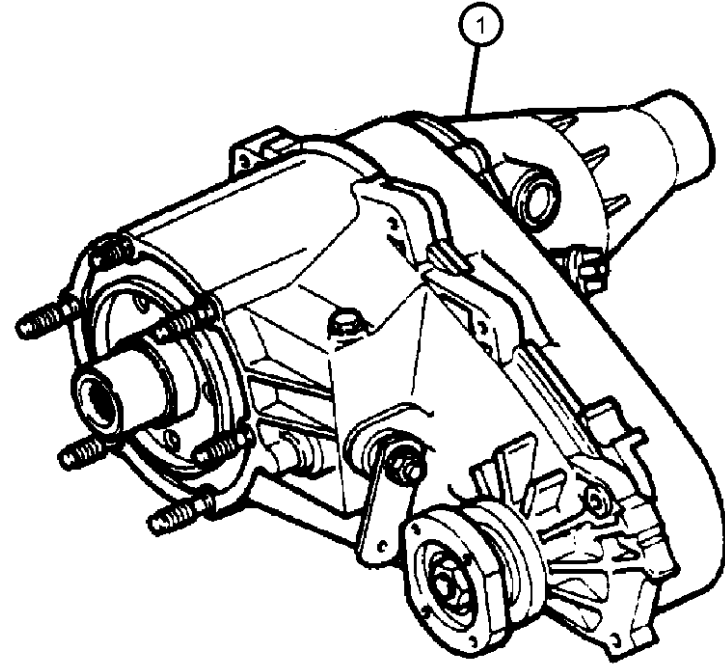
<p>231-100 Transfer Case Assembly</p> 	<p>231-1200 Gearshift Controls</p> 	<p>231-200 Case and Related Parts</p> 	<p>231-400 Gear Train</p> 
<p>231-900 Fork and Rails</p> 			

**Transfer Case Command Trac (DHN)
Figure 231-110**

ITEM	PART NUMBER	QTY	LINE	SERIES	BODY	ENGINE	TRANS	TRIM	DESCRIPTION
------	-------------	-----	------	--------	------	--------	-------	------	-------------

NOTE: Sales Code
 EP0 = 2.5L 4 Cyl.
 ER0 = 4.0L 6 Cyl.
 DG0= All Automatic Transmission
 DDQ= 5 Speed Manual Transmission
 DDD= 5 Speed Heavy Duty Manual Transmssion

1									TRANSFER CASE, NV231
	52099211AB	1				EP0, ER0	DG0		
	52099364AB	1				EP0	DDQ		
	52111252AA	1				ER0	DDD		



WRANGLER (TJ)

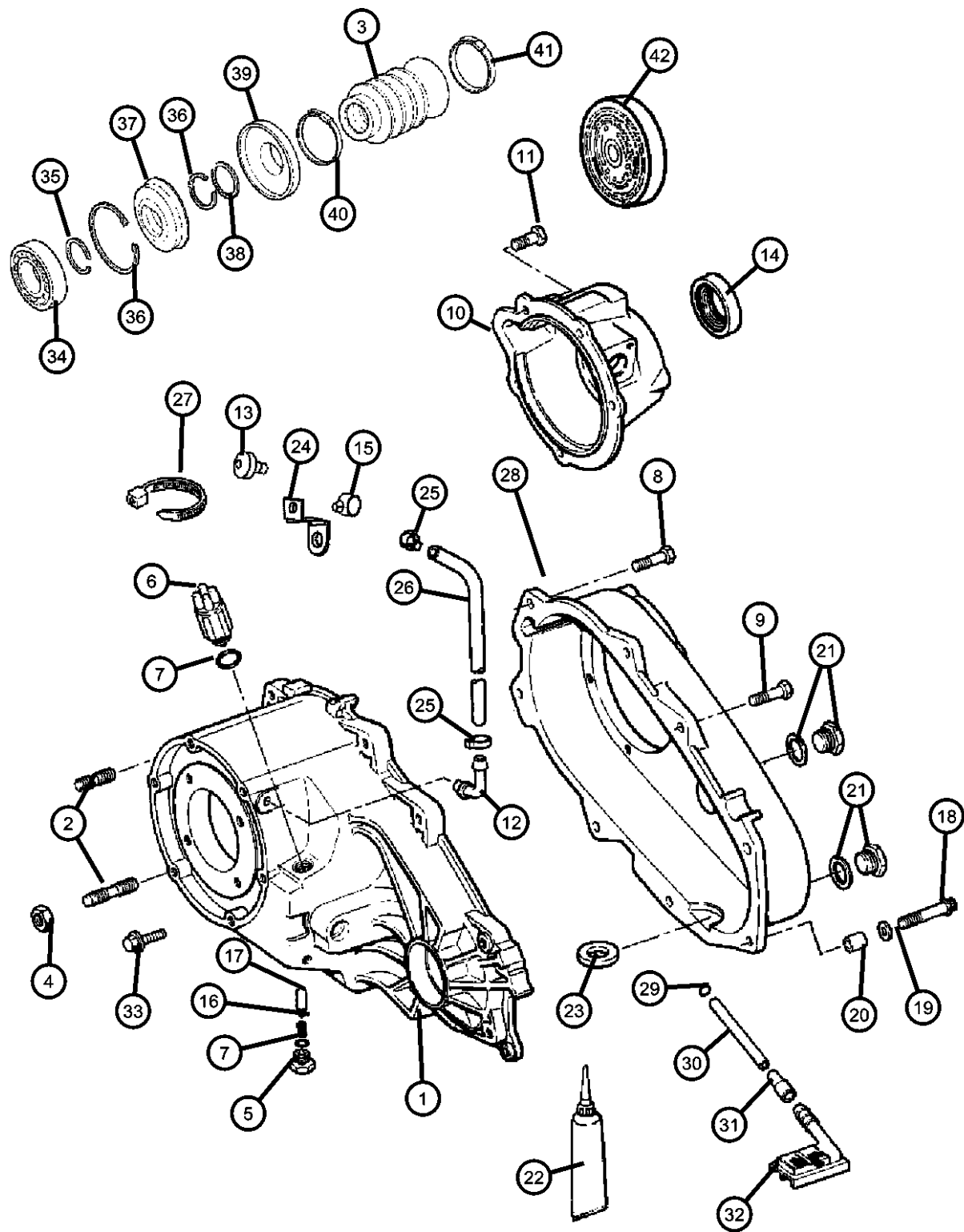
SERIES	LINE	BODY	ENGINE	TRANSMISSION
H = Sport	J = Wrangler 4WD	77 = 93.4 WB	EPE = ENGINE - 2.5L POWER TECH I-4 Cyl.	DDD = TRANSMISSION - 5-SPEED HD MANUAL
L = SE	U = Wrangler 4WD (RHD)		ERH = ENGINE - 4.0L POWER TECH I-6	DDQ = TRANSMISSION - 5-SPEED MANUAL
P = Sahara				DGD = TRANSMISSION - 3-SPD. AUTOMATIC,30RH
				DGG = TRANSMISSION - 3-SPD. AUTOMATIC,32RH
				DG0 = All Automatic Transmissions
				DBB = All Manual Transmissions
				DD0 = All 5 Speed Manual Transmissions

AR = use ase required - = Non illustrated part

2000 TJ

Case and Related Parts Command Trac (DHN)

Figure 231-210



ITEM	PART NUMBER	QTY	LINE	SERIES	BODY	ENGINE	TRANS	TRIM	DESCRIPTION
------	-------------	-----	------	--------	------	--------	-------	------	-------------

NOTE: Sales Code
 EP0 = 2.5L 4 Cyl.
 ER0 = 4.0L 6 Cyl.
 DG0= All Automatic Transmission
 DDQ= 5 Speed Manual Transmission
 DDD= 5 Speed Heavy Duty Manual Transmssion
 EP0 = 2.5L 4 Cyl.
 ER0 = 4.0L 6 Cyl.
 DG0= All Automatic Transmission
 DDQ= 5 Speed Manual Transmission
 DDD= 5 Speed Heavy Duty Manual Transmssion
 DBB= All Manual Transmission

1									CASE, Transfer Front
	04798111	1				EP0, ER0	DG0		52099211AB
		1				EP0	DDQ		52099364AB
		1				ER0	DDD		
2									STUD
	04505365	6				EP0, ER0	DG0		52099211AB
		6				EP0	DDQ		52099364AB
		6				ER0	DDD		52111252AA
3									BOOT, Driveshaft
	04798123	1				EP0, ER0	DG0		52099211AB
		1				EP0	DDQ		52099364AB
	05017825AA	1				ER0	DDD		52111252AA
4									NUT AND CONED WASHER, Hex, .375-24
	J4006681	6				EP0	DD0		
		6				EP0	DG0		
		6				ER0			
5									SCREW
	04886473AA	1				EP0	DDQ		52099364AB
		1				EP0, ER0	DG0		52099211AB
		1				ER0	DDD		52111252AA
6									SWITCH, Transfer Case Mode
	J8134473	1				EP0, ER0	DG0		52099211AB

WRANGLER (TJ)

SERIES LINE BODY
 H = Sport J = Wrangler 4WD 77 = 93.4 WB
 L = SE U = Wrangler 4WD (RHD)
 P = Sahara

BODY
 77 = 93.4 WB

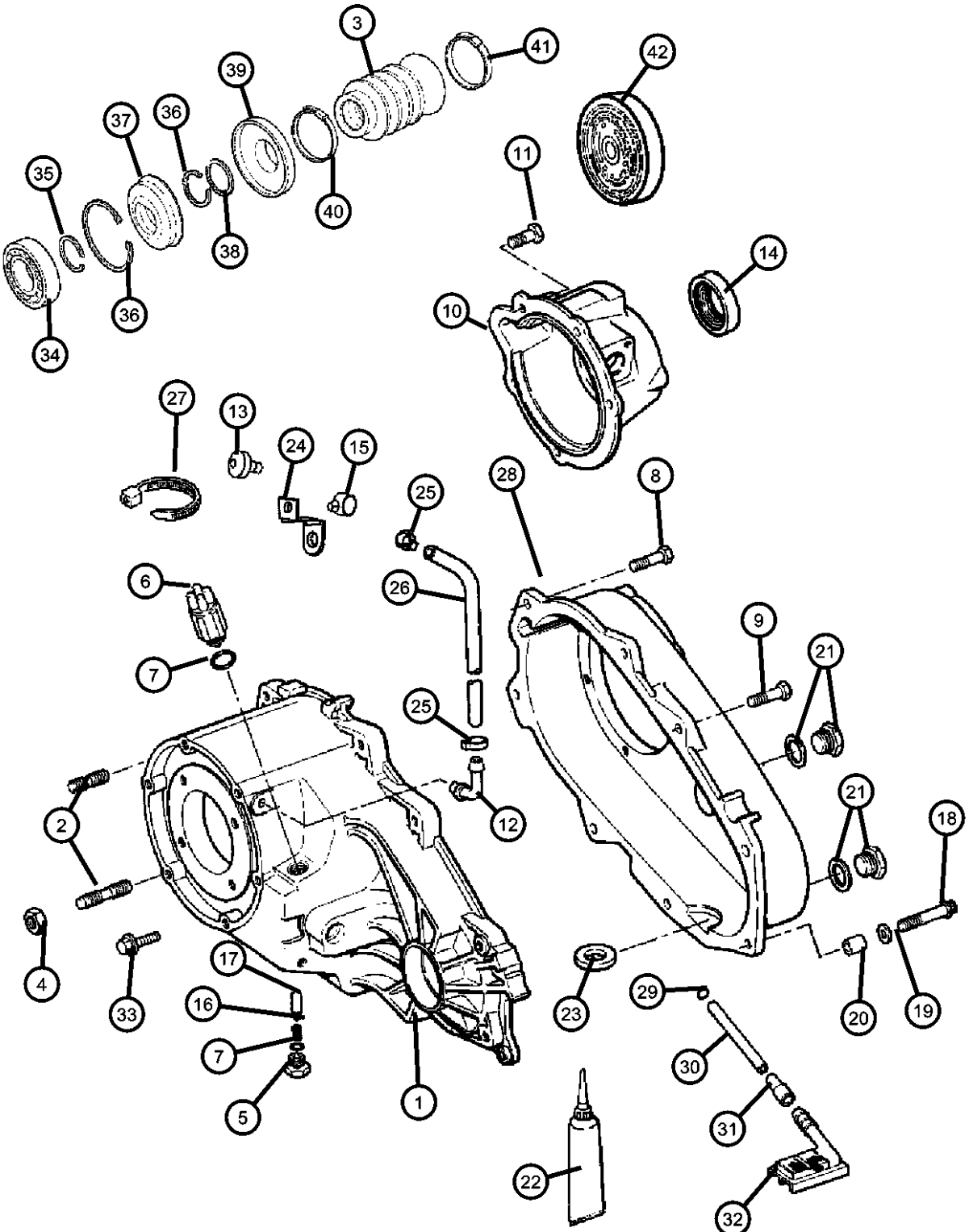
ENGINE
 EPE = ENGINE - 2.5L POWER
 TECH I-4 Cyl.
 ERH = ENGINE - 4.0L
 POWER TECH I-6

TRANSMISSION
 DDD = TRANSMISSION - 5-SPEED
 HD MANUAL
 DDQ = TRANSMISSION - 5-SPEED
 MANUAL
 DGD = TRANSMISSION - 3-SPD.
 AUTOMATIC,30RH
 DGG = TRANSMISSION - 3-SPD.
 AUTOMATIC,32RH
 DG0 = All Automatic Transmissions
 DBB = All Manual Transmissions
 DD0 = All 5 Speed Manual
 Transmissions

AR = use ase required - = Non illustrated part

Case and Related Parts Command Trac (DHN)

Figure 231-210



ITEM	PART NUMBER	QTY	LINE	SERIES	BODY	ENGINE	TRANS	TRIM	DESCRIPTION
						EP0	DDQ		52099364AB
						ER0	DDD		52111252AA
7		1							SEAL, Vacuum Switch
	04338956	1				EP0	DDQ		52099364AB
		1				EP0, ER0	DG0		52099211AB
		1				ER0	DDD		52111252AA
8		5							BOLT, Transfer Case
	04210617	5				EP0, ER0	DG0		52099211AB
		5				EP0	DDQ		52099364AB
		5				ER0	DDD		52111252AA
9		1							BOLT, Twelve Point Head, M10x1.5x48
	J8130979	1				EP0, ER0	DG0		52099211AB
		1				EP0	DDQ		52099364AB
		1				ER0	DDD		52111252AA
10		1							RETAINER, Transfer Case Rear
	04798115	1				EP0, ER0	DG0		52099211AB
		1				EP0	DDQ		52099364AB
	05017477AA	1				ER0	DDD		52111252AA
11		9							BOLT
	06500318	9				EP0, ER0	DG0		52099211AB
		9				EP0	DDQ		52099364AB
		9				ER0	DDD		52111252AA
12		1							VENT, Transfer Case
	04796910	1				EP0, ER0	DG0		52099211AB
		1				EP0	DDQ		52099364AB
		1				ER0	DDD		52111252AA
13	53007494	1							VENT, Transfer Case
14		1							SEAL, Output Shaft
	04798117	1				EP0, ER0	DG0		

WRANGLER (TJ)

SERIES LINE BODY
 H = Sport J = Wrangler 4WD 77 = 93.4 WB
 L = SE U = Wrangler 4WD (RHD)
 P = Sahara

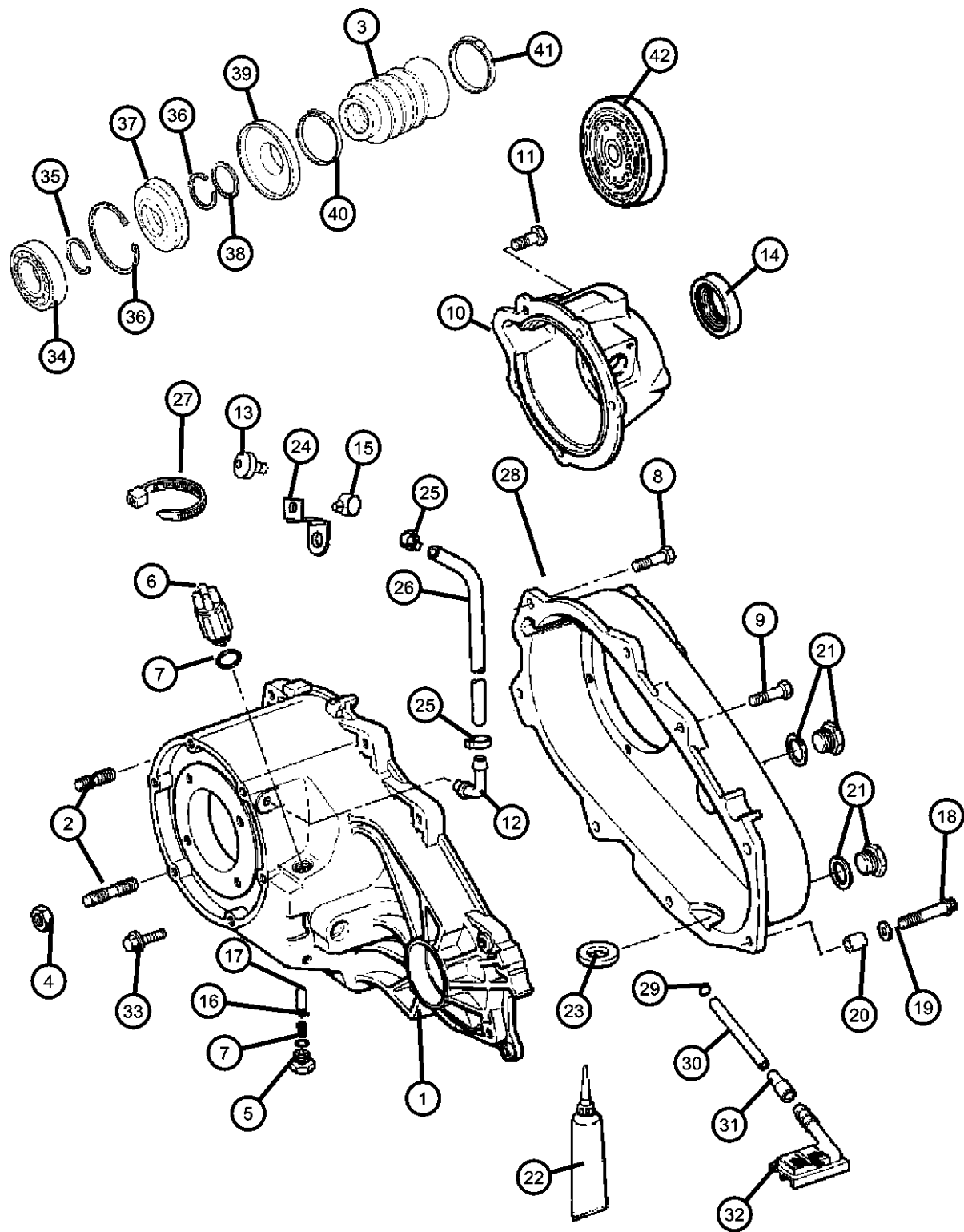
BODY
 77 = 93.4 WB

ENGINE
 EPE = ENGINE - 2.5L POWER TECH I-4 Cyl.
 ERH = ENGINE - 4.0L POWER TECH I-6

TRANSMISSION
 DDD = TRANSMISSION - 5-SPEED HD MANUAL
 DDQ = TRANSMISSION - 5-SPEED MANUAL
 DGD = TRANSMISSION - 3-SPD. AUTOMATIC, 30RH
 DGG = TRANSMISSION - 3-SPD. AUTOMATIC, 32RH
 DG0 = All Automatic Transmissions
 DBB = All Manual Transmissions
 DD0 = All 5 Speed Manual Transmissions

AR = use ase required - = Non illustrated part

**Case and Related Parts Command Trac (DHN)
Figure 231-210**



ITEM	PART NUMBER	QTY	LINE	SERIES	BODY	ENGINE	TRANS	TRIM	DESCRIPTION
		1				EP0	DDQ		
		1				ER0	DDD		
15	J4005701	1							CLIP, Wrap Around, Tube
16									SPRING, Shift Detent
	04638497	1				EP0, ER0	DG0		
		1				EP0	DDQ		
		1				ER0	DDD		
17									PLUNGER
	53008217	1				EP0, ER0	DG0		52099211AB
		1				EP0	DDQ		52099364AB
		1				ER0	DDD		52111252AA
18									BOLT, Hex Flange Head
	04210614	2				EP0, ER0	DG0		52099211AB
		2				EP0	DDQ		52099364AB
19									WASHER, Flat
	04210983	2				EP0, ER0	DG0		52099211AB
		2				EP0	DDQ		52099364AB
		2				ER0	DDD		52111252AA
20									DOWEL, Transfer Case
	04116310	2				EP0, ER0	DG0		52099211AB
		2				EP0	DDQ		52099364AB
		2				ER0	DDD		52111252AA
21									PLUG, Oil Fill
	04856641	2				EP0, ER0	DG0		52099211AB
		2				EP0	DDQ		52099364AB
		2				ER0	DDD		52111252AA
22	05010884AA	1				EP0	DDQ		SEALANT, RTV
23									MAGNET, Transmission
	03681601	1				EP0, ER0	DG0		52099211AB
		1				EP0	DDQ		52099364AB

WRANGLER (TJ)

SERIES LINE
H = Sport J = Wrangler 4WD
L = SE U = Wrangler 4WD (RHD)
P = Sahara

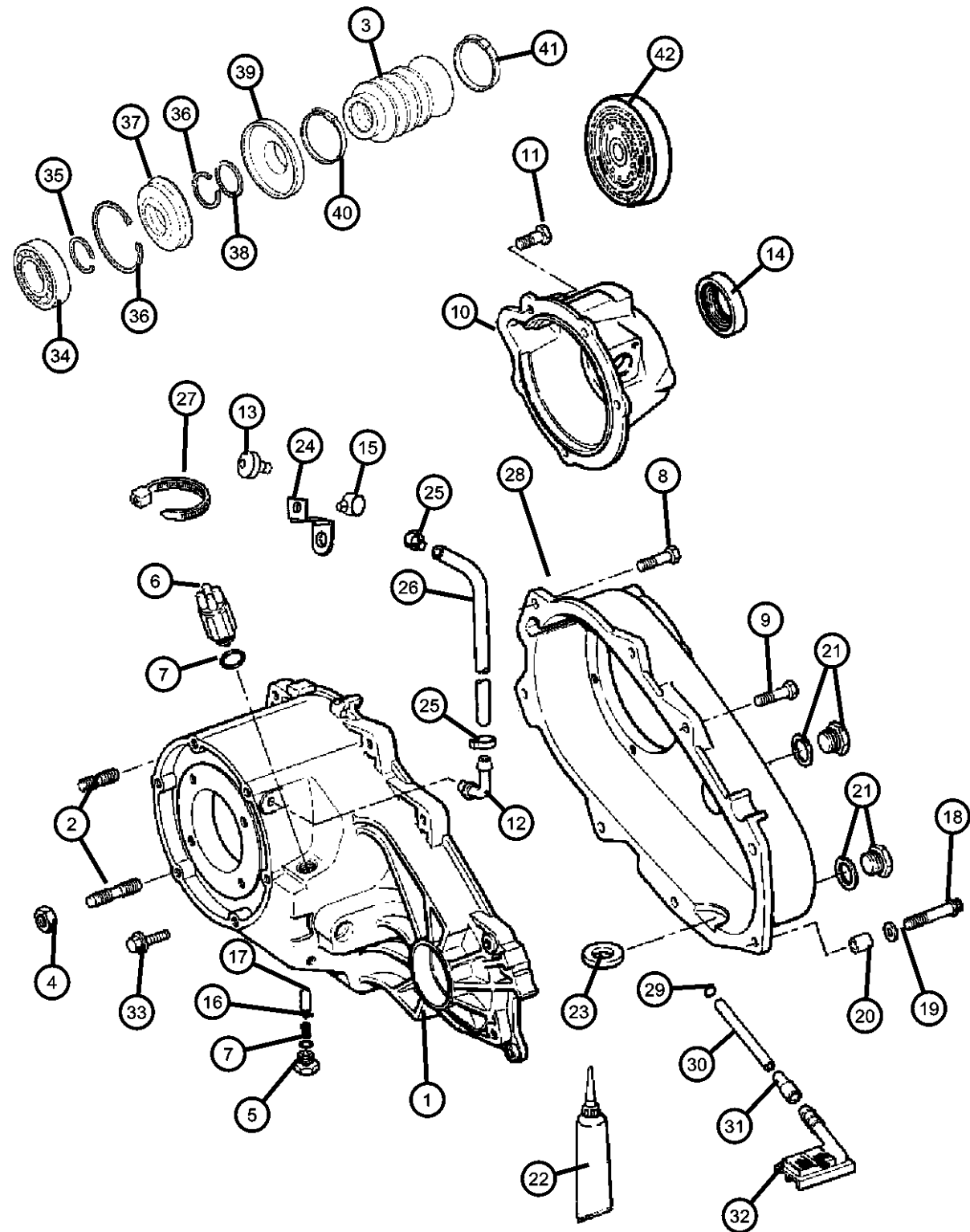
BODY
77 = 93.4 WB

ENGINE
EPE = ENGINE - 2.5L POWER
TECH I-4 Cyl.
ERH = ENGINE - 4.0L
POWER TECH I-6

TRANSMISSION
DDD = TRANSMISSION - 5-SPEED
HD MANUAL
DDQ = TRANSMISSION - 5-SPEED
MANUAL
DGD = TRANSMISSION - 3-SPD.
AUTOMATIC,30RH
DGG = TRANSMISSION - 3-SPD.
AUTOMATIC,32RH
DG0 = All Automatic Transmissions
DBB = All Manual Transmissions
DD0 = All 5 Speed Manual
Transmissions

AR = use ase required - = Non illustrated part

**Case and Related Parts Command Trac (DHN)
Figure 231-210**



ITEM	PART NUMBER	QTY	LINE	SERIES	BODY	ENGINE	TRANS	TRIM	DESCRIPTION
						ER0	DDD		52111252AA
24	52098522	1				EP0, ER0			BRACKET, Tube
25	06502081	2							CLAMP, Oil Cooler Line
26	HFV00516	1							HOSE, Fuel And Vapor, 25 Foot Roll 5/16"
27									STRAP, Retaining
	J3693058	1	J						
		1	U						
28									CASE, Transfer Rear
	04886222AA	1				EP0, ER0	DG0		52099211AB
		1				EP0	DDQ		52099364AB
		1				ER0	DDD		52111252AA
29									SEAL, Oil
	04338942	1				EP0, ER0	DG0		52099211AB
		1				EP0	DDQ		52099364AB
		1				ER0	DDD		52111252AA
30									TUBE, Oil Pickup
	04338941	1				EP0, ER0	DG0		52099211AB
		1				EP0	DDQ		52099364AB
		1				ER0	DDD		52111252AA
31									CONNECTOR, Oil Tube Pickup
	04338944	1				EP0, ER0	DG0		52099211AB
		1				EP0	DDQ		52099364AB
		1				ER0	DDD		52111252AA
32									FILTER, Transfer Case Oil
	04338943	1				EP0, ER0	DG0		52099211AB
		1				EP0	DDQ		52099364AB
		1				ER0	DDD		52111252AA
33									CLAMP, Boot
	04798121	1				EP0	DDQ		52099364AB

WRANGLER (TJ)

SERIES LINE

H = Sport

L = SE

P = Sahara

J = Wrangler 4WD

U = Wrangler 4WD (RHD)

BODY

77 = 93.4 WB

ENGINE

EPE = ENGINE - 2.5L POWER TECH I-4 Cyl.

ERH = ENGINE - 4.0L POWER TECH I-6

TRANSMISSION

DDD = TRANSMISSION - 5-SPEED HD MANUAL

DDQ = TRANSMISSION - 5-SPEED MANUAL

DGD = TRANSMISSION - 3-SPD. AUTOMATIC,30RH

DGG = TRANSMISSION - 3-SPD. AUTOMATIC,32RH

DG0 = All Automatic Transmissions

DBB = All Manual Transmissions

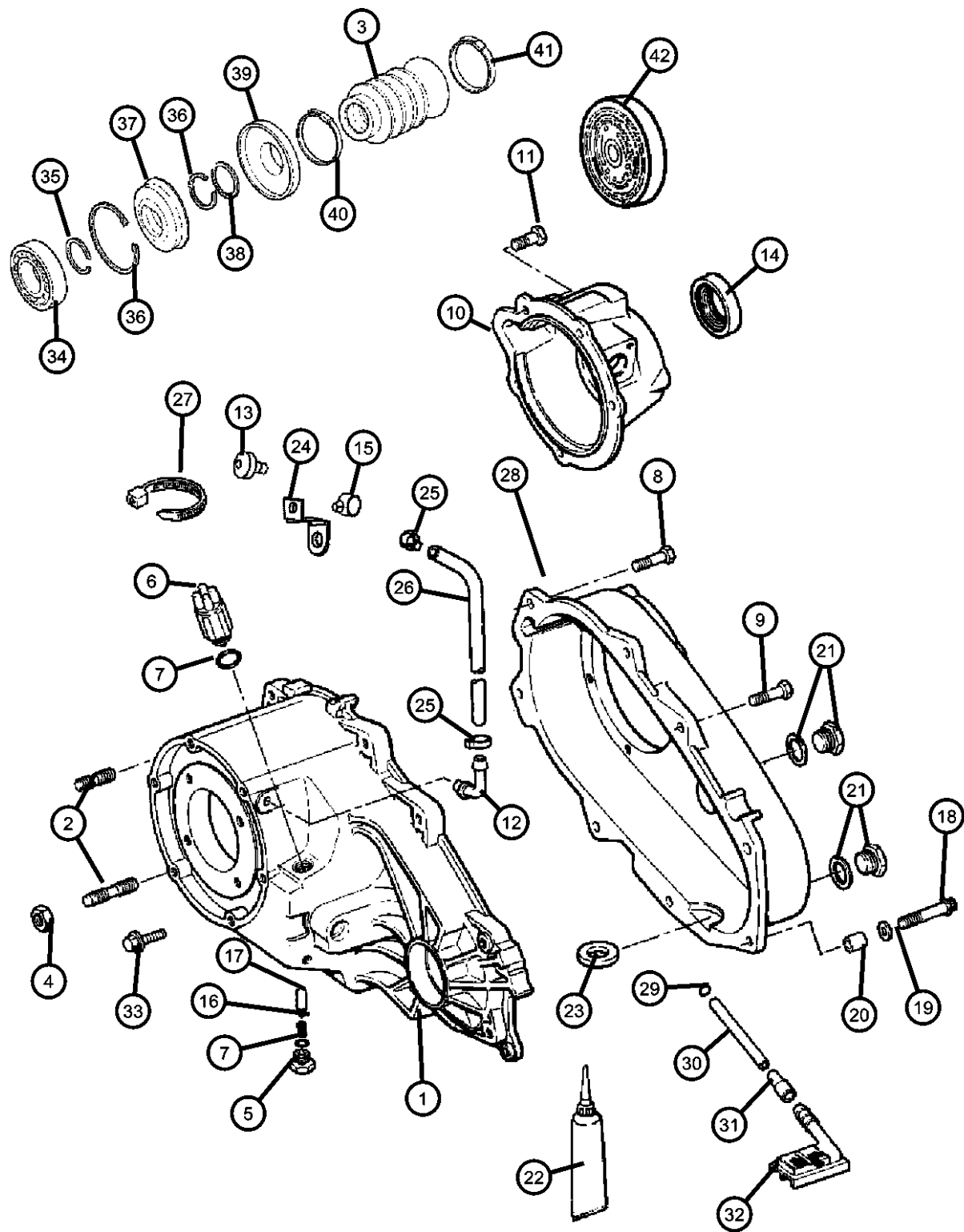
DD0 = All 5 Speed Manual Transmissions

AR = use ase required - = Non illustrated part

2000 TJ

Case and Related Parts Command Trac (DHN)

Figure 231-210



ITEM	PART NUMBER	QTY	LINE	SERIES	BODY	ENGINE	TRANS	TRIM	DESCRIPTION
		1				ER0	DDD		52099211AB
	05017823AA	1				ER0	DDD		52111252AA
34									BEARING
	04338892	1				EP0, ER0	DG0		52099211AB
		1				EP0	DDQ		52099364AB
		1				ER0	DDD		52111252AA
35									SNAP RING
	04798116	1				EP0, ER0	DG0		52099211AB
		1				EP0	DDQ		52099364AB
		1				ER0	DDD		52111252AA
36									SNAP RING
	J8134488	1				EP0	DDQ		52099364AB
		1				EP0, ER0	DG0		52099211AB
		1				ER0	DDD		52111252AA
37									SEAL, Output Shaft
	04798117	1				EP0, ER0	DG0		
		1				EP0	DDQ		
		1				ER0	DDD		
38									WASHER
	04798118	1				EP0, ER0	DG0		
		1				ER0	DBB		
		1				EP0	DDQ		Slinger Locating
39									SLINGER, Oil
	05016615AA	1				EP0, ER0	DG0		
		1				EP0	DDQ		
40									CLAMP, Boot
	04798121	1				EP0, ER0	DG0		52099211AB
		1				EP0	DDQ		52099364AB
	05017823AA	1				ER0	DDD		52111252AA
41									CLAMP, Boot

WRANGLER (TJ)

SERIES LINE BODY
 H = Sport J = Wrangler 4WD 77 = 93.4 WB
 L = SE U = Wrangler 4WD (RHD)
 P = Sahara

BODY
 77 = 93.4 WB

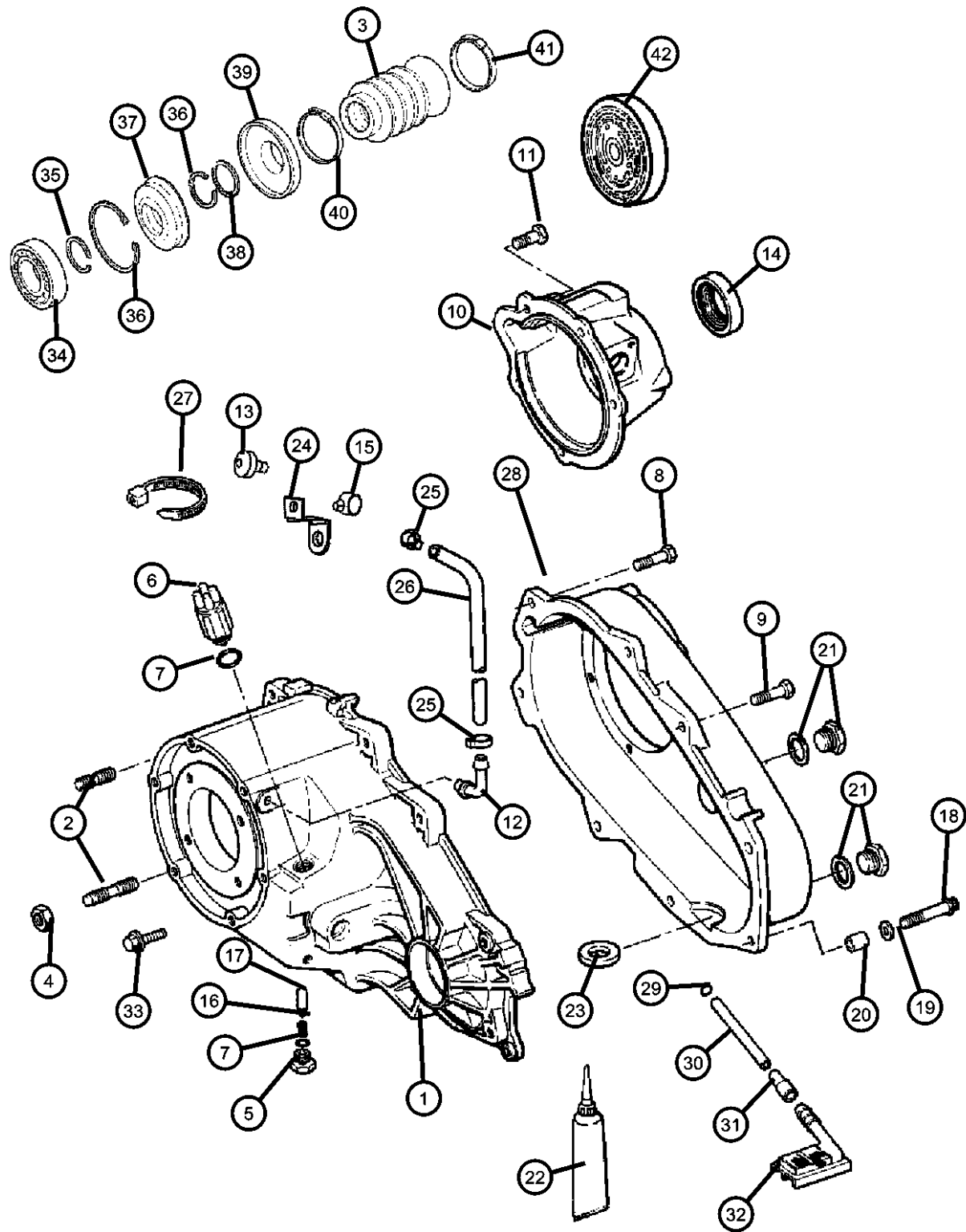
ENGINE
 EPE = ENGINE - 2.5L POWER
 TECH I-4 Cyl.
 ERH = ENGINE - 4.0L
 POWER TECH I-6

TRANSMISSION
 DDD = TRANSMISSION - 5-SPEED
 HD MANUAL
 DDQ = TRANSMISSION - 5-SPEED
 MANUAL
 DGD = TRANSMISSION - 3-SPD.
 AUTOMATIC,30RH
 DGG = TRANSMISSION - 3-SPD.
 AUTOMATIC,32RH
 DG0 = All Automatic Transmissions
 DBB = All Manual Transmissions
 DD0 = All 5 Speed Manual
 Transmissions

AR = use ase required - = Non illustrated part

**Case and Related Parts Command Trac (DHN)
Figure 231-210**

ITEM	PART NUMBER	QTY	LINE	SERIES	BODY	ENGINE	TRANS	TRIM	DESCRIPTION
	04798122	1				EP0, ER0	DG0		52099211AB
		1				EP0	DDQ		52099364AB
		1				ER0	DDD		52111252AA
42	05017819AA	1				ER0	DDD		DAMPER, Transfer Case



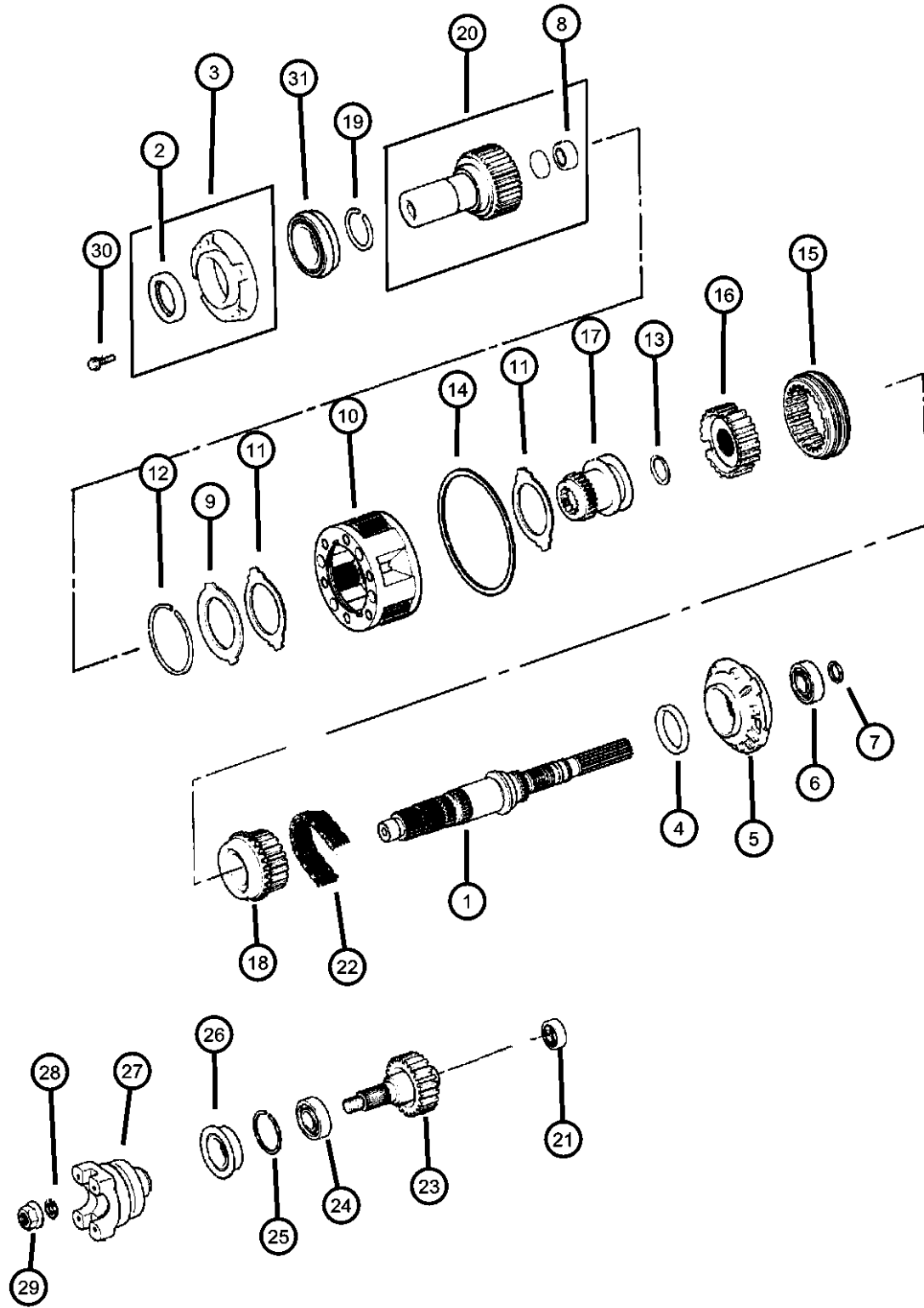
WRANGLER (TJ)

SERIES	LINE	BODY
H = Sport	J = Wrangler 4WD	77 = 93.4 WB
L = SE	U = Wrangler 4WD (RHD)	
P = Sahara		

ENGINE	TRANSMISSION
EPE = ENGINE - 2.5L POWER TECH I-4 Cyl.	DDD = TRANSMISSION - 5-SPEED HD MANUAL
ERH = ENGINE - 4.0L POWER TECH I-6	DDQ = TRANSMISSION - 5-SPEED MANUAL
	DGD = TRANSMISSION - 3-SPD. AUTOMATIC,30RH
	DGG = TRANSMISSION - 3-SPD. AUTOMATIC,32RH
	DG0 = All Automatic Transmissions
	DBB = All Manual Transmissions
	DD0 = All 5 Speed Manual Transmissions

AR = use ase required - = Non illustrated part

**Gear Train Command Trac (DHN)
Figure 231-410**



ITEM	PART NUMBER	QTY	LINE	SERIES	BODY	ENGINE	TRANS	TRIM	DESCRIPTION
------	-------------	-----	------	--------	------	--------	-------	------	-------------

NOTE: Sales Code
 EP0 = 2.5L 4 Cyl.
 ER0 = 4.0L 6 Cyl.
 DG0= All Automatic Transmission
 DDQ= 5 Speed Manual Transmission
 DDD= 5 Speed Heavy Duty Manual Transmssion
 EP0 = 2.5L 4 Cyl.
 ER0 = 4.0L 6 Cyl.
 DG0= All Automatic Transmission
 DDQ= 5 Speed Manual Transmission
 DDD= 5 Speed Heavy Duty Manual Transmssion

1									MAINSHAFT, Transfer Case
	05016630AA	1				EP0, ER0	DG0		
		1				EP0	DDQ		
	05017631AA	1				ER0	DDD		
2									SEAL, Input Gear
	04167929	1				EP0, ER0	DG0		
		1				EP0	DDQ		
		1				ER0	DDD		
3									RETAINER
	04338973	1				EP0, ER0	DG0		
		1				EP0	DDQ		
		1				ER0	DDD		
4									SEAL, Main Shaft
	04210603	1				EP0, ER0	DG0		
		1				EP0	DDQ		
		1				ER0	DDD		
5									PUMP, Transfer Case Oil
	04338936	1				EP0, ER0	DG0		
		1				EP0	DDQ		
		1				ER0	DDD		
6									BEARING
	04338892	1				EP0, ER0	DG0		
		1				EP0	DDQ		

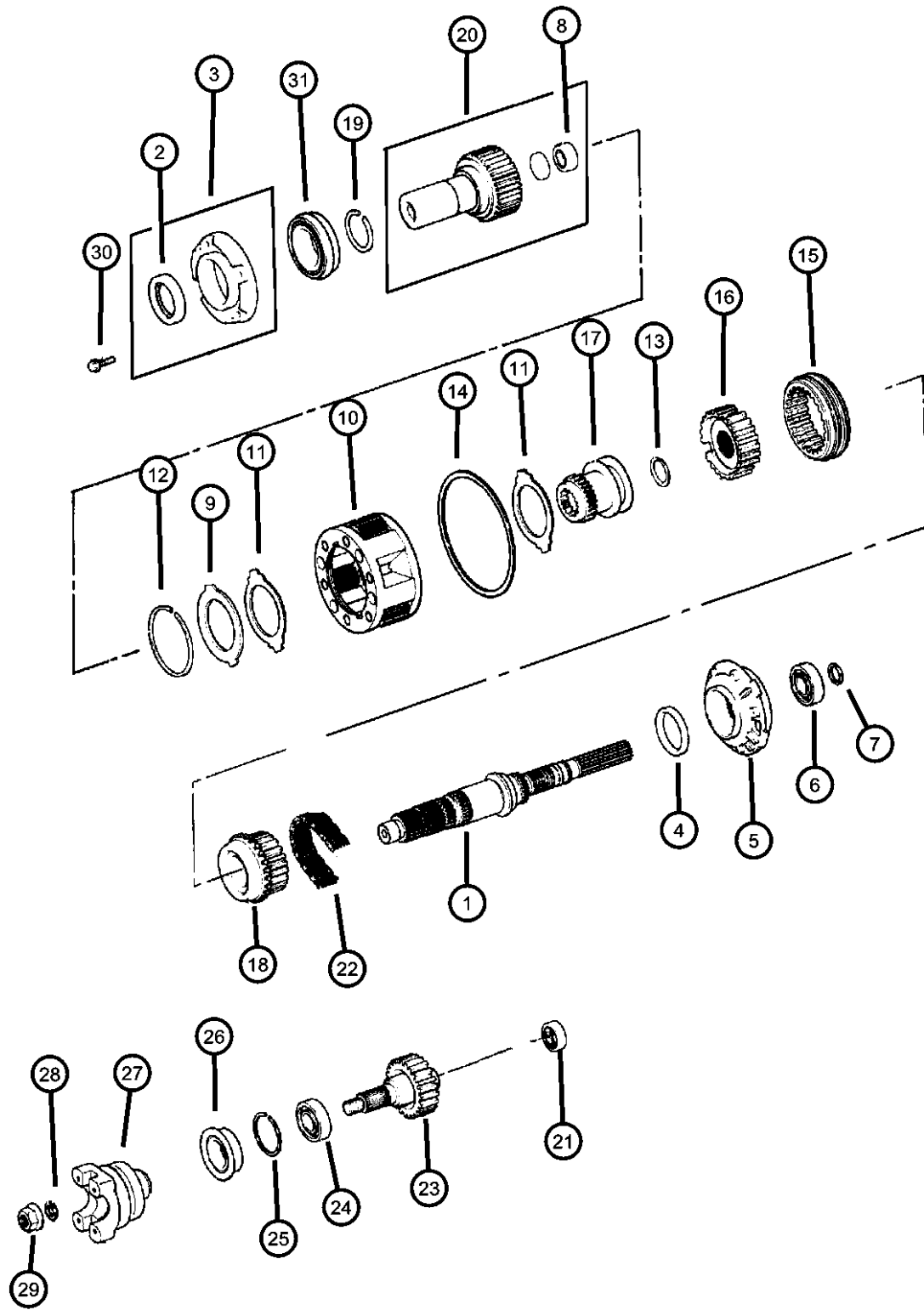
WRANGLER (TJ)

SERIES	LINE	BODY
H = Sport	J = Wrangler 4WD	77 = 93.4 WB
L = SE	U = Wrangler 4WD (RHD)	
P = Sahara		

ENGINE	TRANSMISSION
EPE = ENGINE - 2.5L POWER TECH I-4 Cyl.	DDD = TRANSMISSION - 5-SPEED HD MANUAL
ERH = ENGINE - 4.0L POWER TECH I-6	DDQ = TRANSMISSION - 5-SPEED MANUAL
	DGD = TRANSMISSION - 3-SPD. AUTOMATIC,30RH
	DGG = TRANSMISSION - 3-SPD. AUTOMATIC,32RH
	DG0 = All Automatic Transmissions
	DBB = All Manual Transmissions
	DD0 = All 5 Speed Manual Transmissions

AR = use ase required - = Non illustrated part

**Gear Train Command Trac (DHN)
Figure 231-410**



ITEM	PART NUMBER	QTY	LINE	SERIES	BODY	ENGINE	TRANS	TRIM	DESCRIPTION
7	J8134488	1				EP0	DDQ		SNAP RING
		1				EP0, ER0	DG0		
		1				ER0	DDD		
8	83503507	1				EP0, ER0	DG0		BEARING, Input Shaft
		1				EP0	DDQ		
		1				ER0	DDD		
9	04338909	1				EP0, ER0	DG0		RING
		1				EP0	DDQ		
		1				ER0	DDD		
10	04796903	1				EP0, ER0	DG0		PLANETARY, Transfer Case
		1				EP0	DDQ		
		1				ER0	DDD		
11	04338908	2				EP0, ER0	DG0		THRUST WASHER, Planetary Carrier
		2				EP0	DDQ		
		2				ER0	DDD		
12	04338910	1				EP0, ER0	DG0		SNAP RING
		1				EP0	DDQ		
		1				ER0	DDD		
13	04338933	1				EP0, ER0	DG0		SNAP RING
		1				EP0	DDQ		
		1				ER0	DDD		
14									SNAP RING, Annulus Gear

WRANGLER (TJ)

SERIES LINE
H = Sport J = Wrangler 4WD
L = SE U = Wrangler 4WD (RHD)
P = Sahara

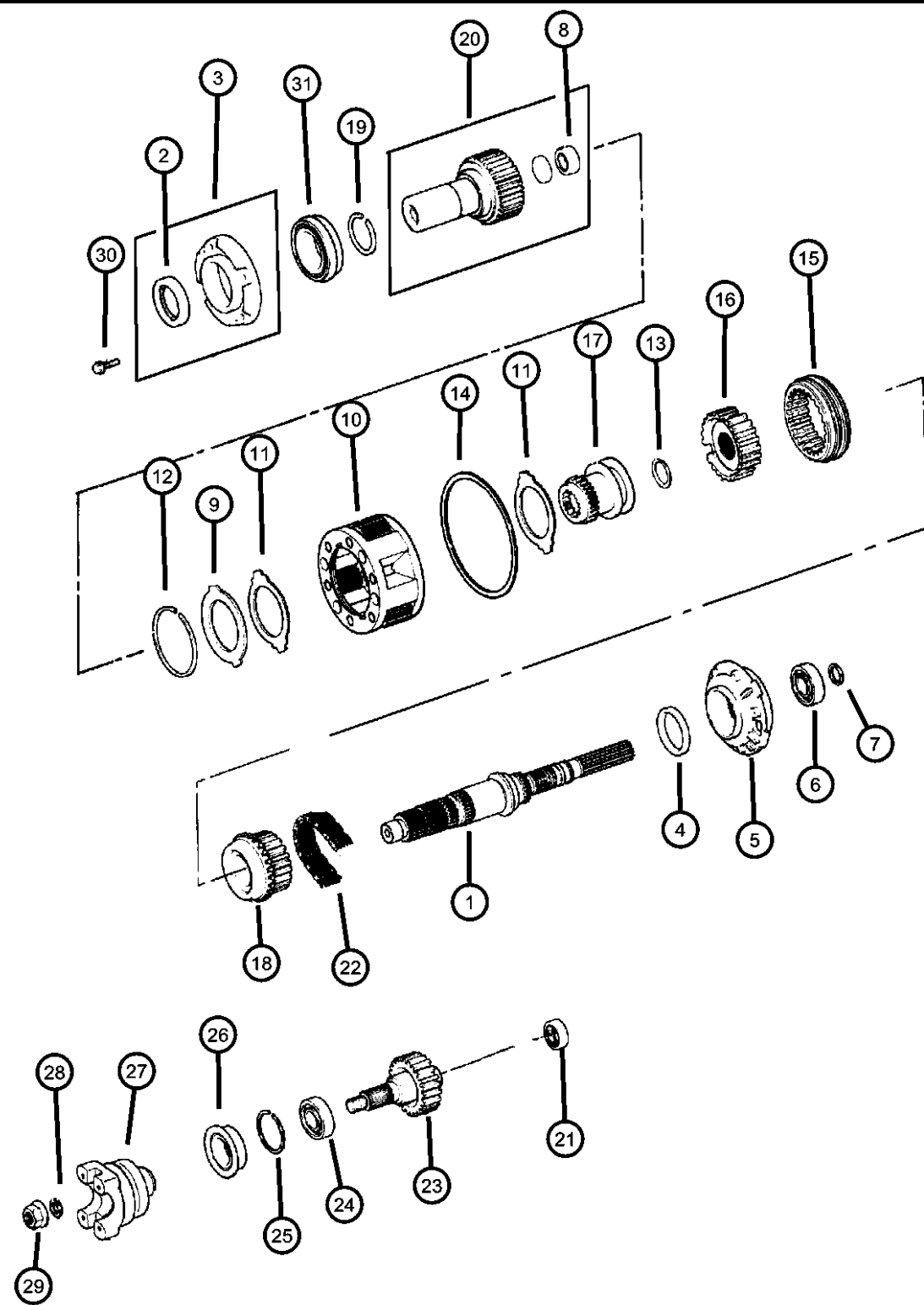
BODY
77 = 93.4 WB

ENGINE
EPE = ENGINE - 2.5L POWER
TECH I-4 Cyl.
ERH = ENGINE - 4.0L
POWER TECH I-6

TRANSMISSION
DDD = TRANSMISSION - 5-SPEED
HD MANUAL
DDQ = TRANSMISSION - 5-SPEED
MANUAL
DGD = TRANSMISSION - 3-SPD.
AUTOMATIC,30RH
DGG = TRANSMISSION - 3-SPD.
AUTOMATIC,32RH
DG0 = All Automatic Transmissions
DBB = All Manual Transmissions
DD0 = All 5 Speed Manual
Transmissions

AR = use ase required - = Non illustrated part

**Gear Train Command Trac (DHN)
Figure 231-410**



ITEM	PART NUMBER	QTY	LINE	SERIES	BODY	ENGINE	TRANS	TRIM	DESCRIPTION
	04219065	1				EP0, ER0	DG0		
		1				EP0	DDQ		
		1				ER0	DDD		
15									SLEEVE, Mode Synchronizer
	04796909	1				EP0, ER0	DG0		
		1				EP0	DDQ		
		1				ER0	DDD		
16									HUB, Synchronizer Mode
	04741240	1				EP0, ER0	DG0		
		1				EP0	DDQ		
		1				ER0	DDD		
17									SLEEVE, Shift Range
	04797013	1				EP0, ER0	DG0		
		1				EP0	DDQ		
		1				ER0	DDD		
18									SPROCKET, Transfer Case
	04796908	1				EP0, ER0	DG0		
		1				EP0	DDQ		
		1				ER0	DDD		
19									SNAP RING
	03821558	1				EP0, ER0	DG0		
		1				EP0	DDQ		
		1				ER0	DDD		
20									GEAR, Input
	04796956	1				EP0	DDQ		
	04796965	1				EP0, ER0	DG0		
		1				ER0	DDD		
21									BEARING, Output Shaft
	04269189	1				EP0, ER0	DG0		
		1				EP0	DDQ		

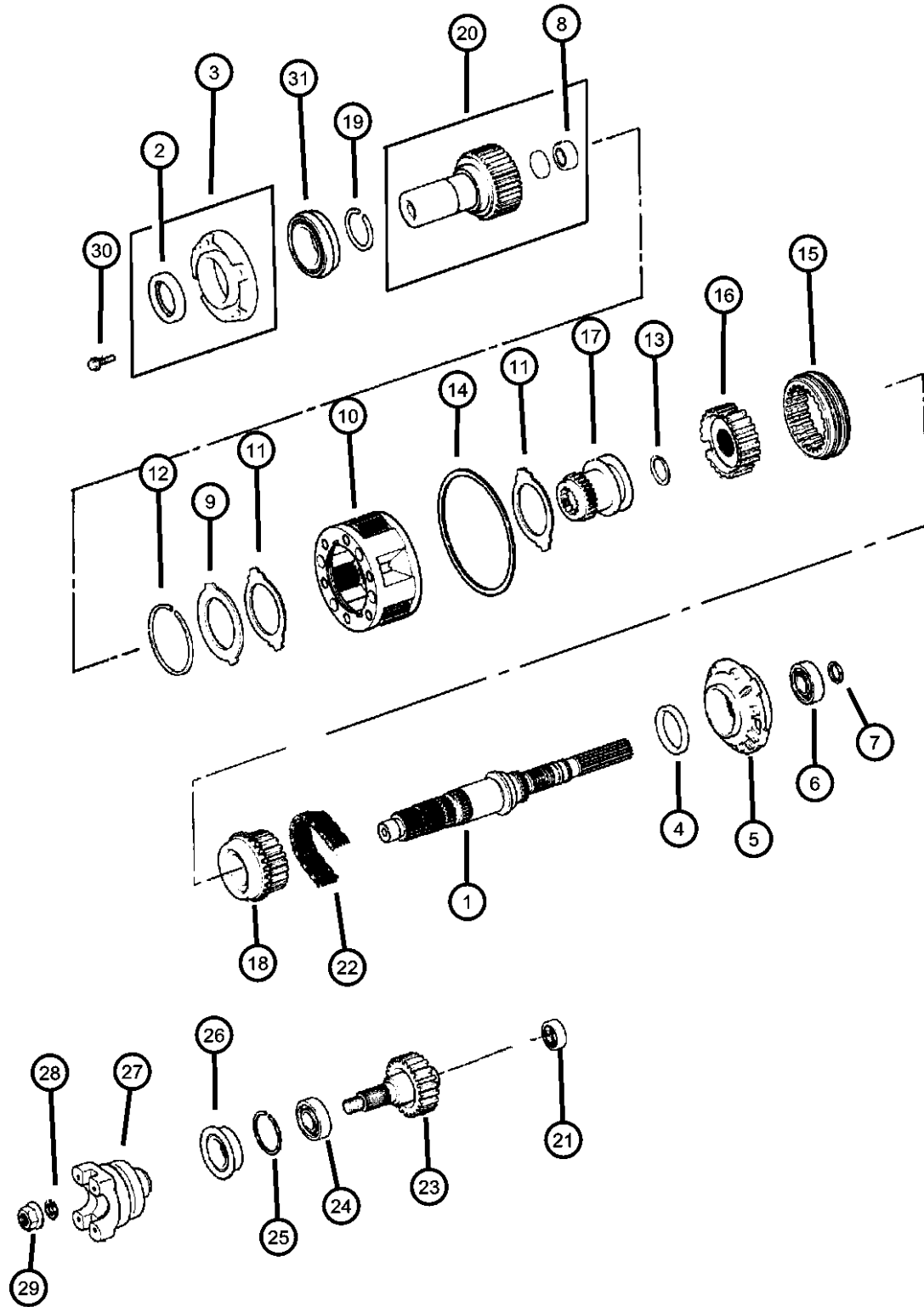
WRANGLER (TJ)

SERIES LINE BODY ENGINE TRANSMISSION
H = Sport J = Wrangler 4WD 77 = 93.4 WB
L = SE U = Wrangler 4WD (RHD)
P = Sahara

EPE = ENGINE - 2.5L POWER TECH I-4 Cyl.
ERH = ENGINE - 4.0L POWER TECH I-6
DDD = TRANSMISSION - 5-SPEED HD MANUAL
DDQ = TRANSMISSION - 5-SPEED MANUAL
DGD = TRANSMISSION - 3-SPD. AUTOMATIC,30RH
DGG = TRANSMISSION - 3-SPD. AUTOMATIC,32RH
DG0 = All Automatic Transmissions
DBB = All Manual Transmissions
DD0 = All 5 Speed Manual Transmissions

AR = use ase required - = Non illustrated part

**Gear Train Command Trac (DHN)
Figure 231-410**



ITEM	PART NUMBER	QTY	LINE	SERIES	BODY	ENGINE	TRANS	TRIM	DESCRIPTION
22		1				ER0	DDD		CHAIN, Transfer Case
	04338935	1				EP0, ER0	DG0		
		1				EP0	DDQ		
		1				ER0	DDD		
23		1							OUTPUT SHAFT, Transfer Case
	04338934	1				EP0, ER0	DG0		
		1				EP0	DDQ		
		1				ER0	DDD		
24		1							BEARING
	04338892	1				EP0, ER0	DG0		
		1				EP0	DDQ		Front
		1				ER0	DDD		
25		1							SNAP RING, Bearing
	04338894	1				EP0, ER0	DG0		
		1				EP0	DDQ		
		1				ER0	DDD		
26		1							SEAL
	04798112	1				EP0, ER0	DG0		
		1				EP0	DDQ		
		1				ER0	DDD		
27		1							YOKE, Transfer Case Output
	04798120	1				EP0, ER0	DG0		
		1				EP0	DDQ		
		1				ER0	DDD		
28		1							WASHER, Flat
	04446487	1				EP0, ER0	DG0		
		1				EP0	DDQ		
		1				ER0	DDD		
29		1							NUT, Hex Flange

WRANGLER (TJ)

SERIES LINE
H = Sport J = Wrangler 4WD
L = SE U = Wrangler 4WD (RHD)
P = Sahara

BODY
77 = 93.4 WB

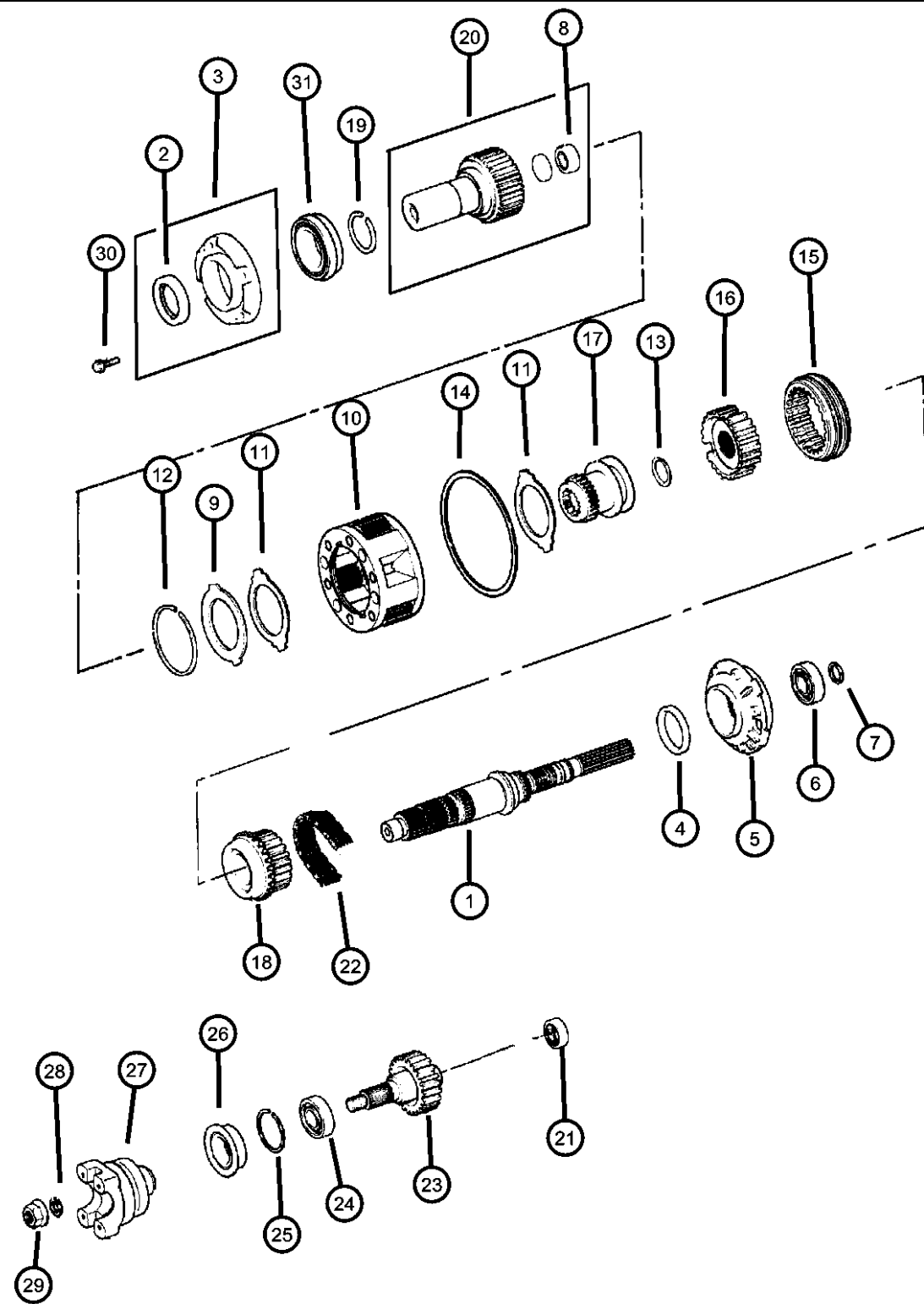
ENGINE
EPE = ENGINE - 2.5L POWER TECH I-4 Cyl.
ERH = ENGINE - 4.0L POWER TECH I-6

TRANSMISSION
DDD = TRANSMISSION - 5-SPEED HD MANUAL
DDQ = TRANSMISSION - 5-SPEED MANUAL
DGD = TRANSMISSION - 3-SPD. AUTOMATIC,30RH
DGG = TRANSMISSION - 3-SPD. AUTOMATIC,32RH
DG0 = All Automatic Transmissions
DBB = All Manual Transmissions
DD0 = All 5 Speed Manual Transmissions

AR = use ase required - = Non illustrated part

2000 TJ

**Gear Train Command Trac (DHN)
Figure 231-410**



ITEM	PART NUMBER	QTY	LINE	SERIES	BODY	ENGINE	TRANS	TRIM	DESCRIPTION
	04446488	1				EP0, ER0	DG0		
		1				EP0	DDQ		
		1				ER0	DDD		
30	06500318	9				EP0, ER0	DG0		BOLT
		9				EP0	DDQ		
		9				ER0	DDD		
31	04746155	1				EP0, ER0	DG0		BEARING, Input Gear
		1				EP0	DDQ		
		1				ER0	DDD		

WRANGLER (TJ)

SERIES	LINE	BODY
H = Sport	J = Wrangler 4WD	77 = 93.4 WB
L = SE	U = Wrangler 4WD (RHD)	
P = Sahara		

ENGINE	TRANSMISSION
EPE = ENGINE - 2.5L POWER TECH I-4 Cyl.	DDD = TRANSMISSION - 5-SPEED HD MANUAL
ERH = ENGINE - 4.0L POWER TECH I-6	DDQ = TRANSMISSION - 5-SPEED MANUAL
	DGD = TRANSMISSION - 3-SPD. AUTOMATIC,30RH
	DGG = TRANSMISSION - 3-SPD. AUTOMATIC,32RH
	DG0 = All Automatic Transmissions
	DBB = All Manual Transmissions
	DD0 = All 5 Speed Manual Transmissions

AR = use ase required - = Non illustrated part

Forks and Rails Command Trac (DHN)
Figure 231-910

ITEM	PART NUMBER	QTY	LINE	SERIES	BODY	ENGINE	TRANS	TRIM	DESCRIPTION
------	-------------	-----	------	--------	------	--------	-------	------	-------------

NOTE: Sales Code

EP0 = 2.5L 4 Cyl.

ER0 = 4.0L 6 Cyl.

DG0= All Automatic Transmission

DDQ= 5 Speed Manual Transmission

DDD= 5 Speed Heavy Duty Manual Transmssion

EP0 = 2.5L 4 Cyl.

ER0 = 4.0L 6 Cyl.

DG0= All Automatic Transmission

DDQ= 5 Speed Manual Transmission

DDD= 5 Speed Heavy Duty Manual Transmssion

DBB= All Manual Transmission

1	04798136	1				EP0	DDQ		FORK, Range
		1				EP0, ER0	DG0		
		1				ER0	DDD		
2	04167969	2				EP0, ER0	DG0		PAD, Shift Fork
		2				EP0	DDQ		
		2				ER0	DDD		
3	53004810	1				EP0, ER0	DG0		BUSHING, Shift Lever
		1				EP0	DDQ		
		1				ER0	DDD		
4	04741237	1				EP0, ER0	DG0		FORK, Transfer Case Mode Shift
		1				EP0	DDQ		
		1				ER0	DDD		
5	04219073	1				EP0, ER0	DG0		PAD, Shift Fork
		1				EP0	DDQ		
		1				ER0	DDD		
6	04897185AA	1				EP0	DDQ		LEVER, Selector

WRANGLER (TJ)

SERIES

H = Sport

L = SE

P = Sahara

LINE

J = Wrangler 4WD

U = Wrangler 4WD (RHD)

BODY

77 = 93.4 WB

ENGINE

EPE = ENGINE - 2.5L POWER TECH I-4 Cyl.

ERH = ENGINE - 4.0L POWER TECH I-6

TRANSMISSION

DDD = TRANSMISSION - 5-SPEED HD MANUAL

DDQ = TRANSMISSION - 5-SPEED MANUAL

DGD = TRANSMISSION - 3-SPD. AUTOMATIC,30RH

DGG = TRANSMISSION - 3-SPD. AUTOMATIC,32RH

DG0 = All Automatic Transmissions

DBB = All Manual Transmissions

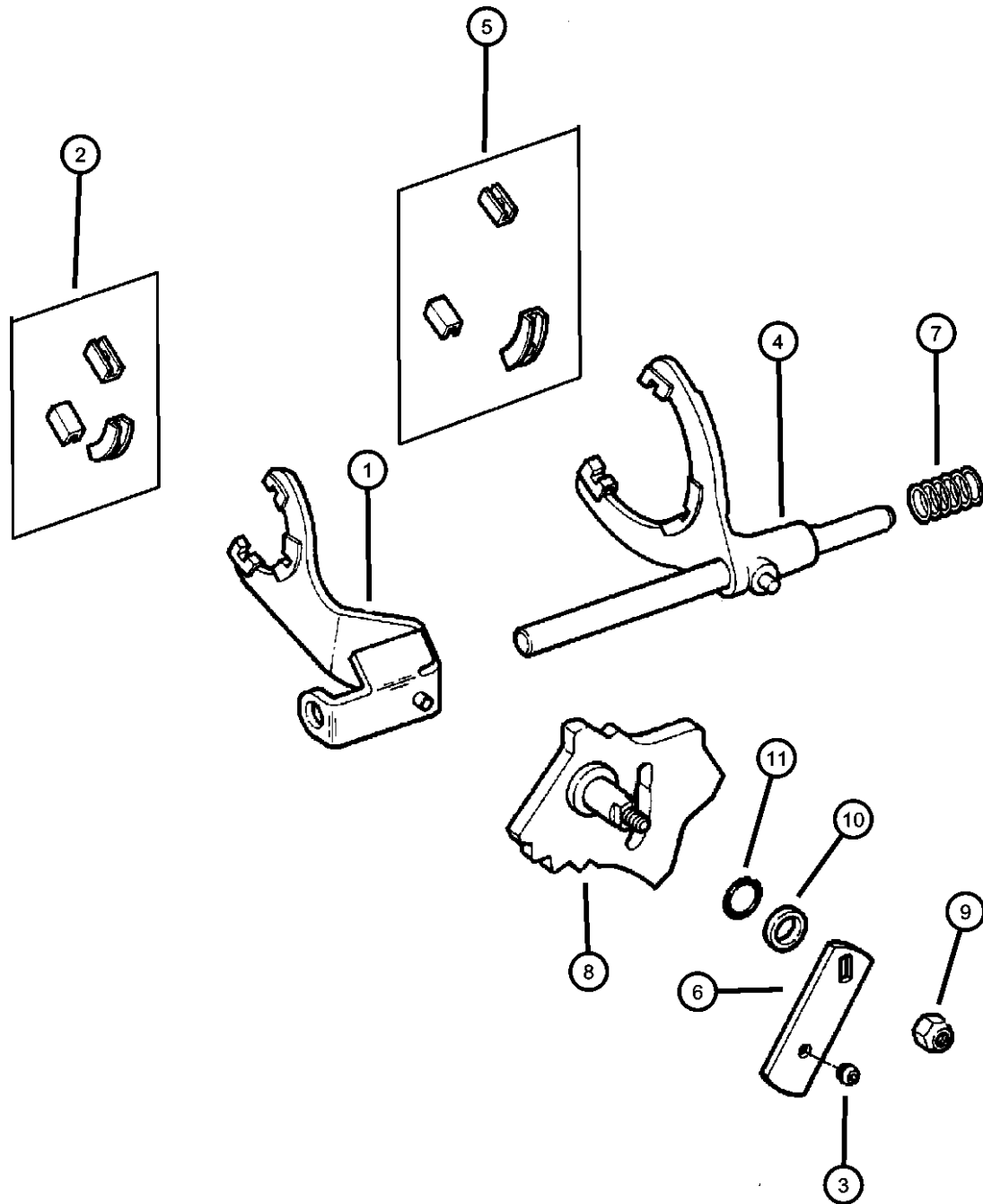
DD0 = All 5 Speed Manual Transmissions

AR = use ase required - = Non illustrated part

2000 TJ

Forks and Rails Command Trac (DHN)
Figure 231-910

ITEM	PART NUMBER	QTY	LINE	SERIES	BODY	ENGINE	TRANS	TRIM	DESCRIPTION
		1				EP0, ER0	DG0		
		1				ER0	DDD		
7	04338925	1				EP0, ER0	DG0		SPRING, Mode Shift Rail
		1				EP0	DDQ		
		1				ER0	DDD		
8	04638845	1				EP0, ER0	DG0		SECTOR, Transfer Case
		1				EP0	DDQ		
		1				ER0	DDD		
9	00152345	1				EP0, ER0	DG0		NUT, Hex Flange Lock
		1				EP0	DDQ		
		1				ER0	DDD		
10	04167964	1				EP0, ER0	DG0		RETAINER, Rear Clutch
		1				EP0	DDQ		
		1				ER0	DDD		
11	04167963	1				EP0, ER0	DG0		SEAL, O-Ring
		1				EP0	DDQ		
		1				ER0	DDD		



WRANGLER (TJ)

SERIES LINE BODY
H = Sport J = Wrangler 4WD 77 = 93.4 WB
L = SE U = Wrangler 4WD (RHD)
P = Sahara

BODY
77 = 93.4 WB

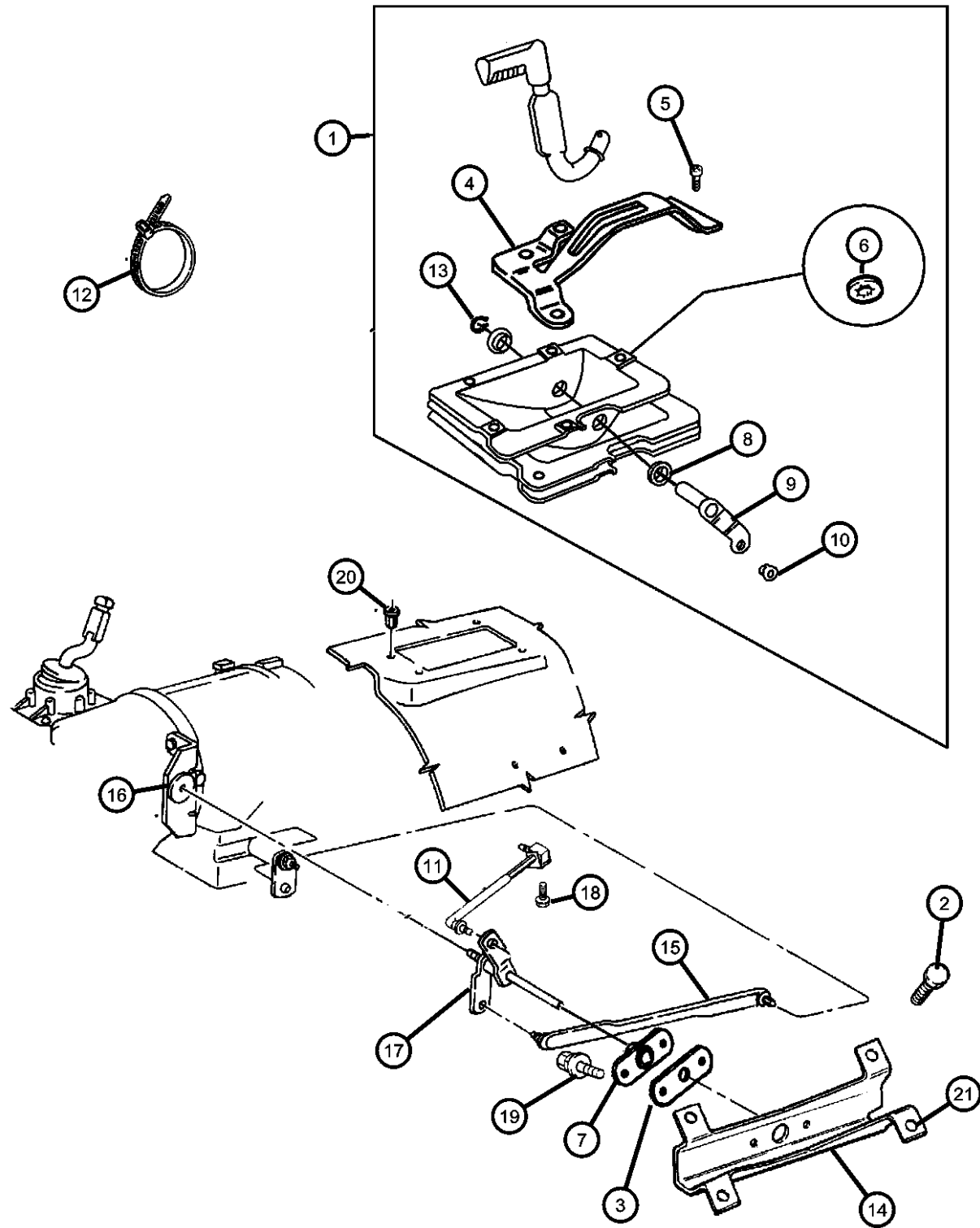
ENGINE
EPE = ENGINE - 2.5L POWER
TECH I-4 Cyl.
ERH = ENGINE - 4.0L
POWER TECH I-6

TRANSMISSION
DDD = TRANSMISSION - 5-SPEED
HD MANUAL
DDQ = TRANSMISSION - 5-SPEED
MANUAL
DGD = TRANSMISSION - 3-SPD.
AUTOMATIC,30RH
DGG = TRANSMISSION - 3-SPD.
AUTOMATIC,32RH
DG0 = All Automatic Transmissions
DBB = All Manual Transmissions
DD0 = All 5 Speed Manual
Transmissions

AR = use ase required - = Non illustrated part

2000 TJ

**Gearshift Controls Command Trac (DHN)
Figure 231-1210**



ITEM	PART NUMBER	QTY	LINE	SERIES	BODY	ENGINE	TRANS	TRIM	DESCRIPTION
------	-------------	-----	------	--------	------	--------	-------	------	-------------

NOTE: Sales Code
 EP0 = 2.5L 4 Cyl.
 ER0 = 4.0L 6 Cyl.
 DG0= All Automatic Transmission
 DDQ= 5 Speed Manual Transmission
 DDD= 5 Speed Heavy Duty Manual Transmssion
 EP0 = 2.5L 4 Cyl.
 ER0 = 4.0L 6 Cyl.
 DG0= All Automatic Transmission
 DDQ= 5 Speed Manual Transmission
 DDD= 5 Speed Heavy Duty Manual Transmssion
 DBB= All Manual Transmission

1									SHIFTER, Transfer Case
	52104080AC	1	J						
	52104081AC	1	U						
2	06503811	4							BOLT, Hex Head, M6x1.00x20.00
3	53005154	1							GASKET, Gearshift Control Rod
4	53005154	1							GATE, Transfer Case Shifter, (NOT REQUIRED), (NOT SERVICED)
5	53005154	1							SCREW, Hex Head, M5x0.8x16.00, (NOT REQUIRED), (NOT SERVICED)
6	06100839	2							NUT, Push, M5
7	52078134	1							BEARING, Transfer Case Shift
8									BUSHING, Shift Control
	53000639	2	J						RHD
		2	U						
9									LEVER, Transfer Case Shifter
	53005150AB	1	J						
		1	U						RHD
10									GROMMET, Control Rod Front
	03575333	1	J						
		1	U						
11	52104073	1							ROD, Gear Shift Control, Transfer Case
12									STRAP, Retaining

WRANGLER (TJ)

SERIES LINE
 H = Sport J = Wrangler 4WD
 L = SE U = Wrangler 4WD (RHD)
 P = Sahara

BODY
 77 = 93.4 WB

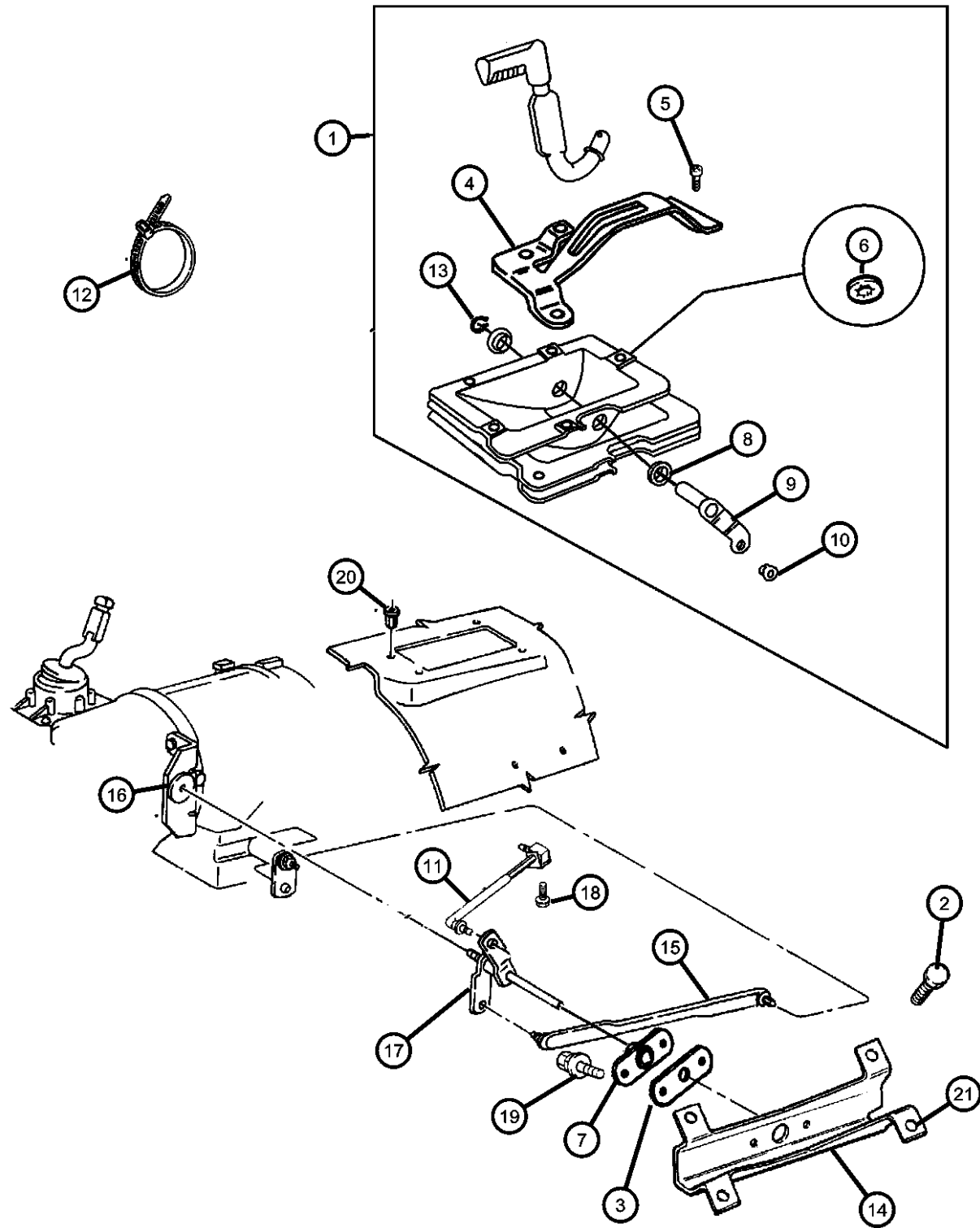
ENGINE
 EPE = ENGINE - 2.5L POWER
 TECH I-4 Cyl.
 ERH = ENGINE - 4.0L
 POWER TECH I-6

TRANSMISSION
 DDD = TRANSMISSION - 5-SPEED
 HD MANUAL
 DDQ = TRANSMISSION - 5-SPEED
 MANUAL
 DGD = TRANSMISSION - 3-SPD.
 AUTOMATIC,30RH
 DGG = TRANSMISSION - 3-SPD.
 AUTOMATIC,32RH
 DG0 = All Automatic Transmissions
 DBB = All Manual Transmissions
 DD0 = All 5 Speed Manual
 Transmissions

AR = use ase required - = Non illustrated part

2000 TJ

**Gearshift Controls Command Trac (DHN)
Figure 231-1210**



ITEM	PART NUMBER	QTY	LINE	SERIES	BODY	ENGINE	TRANS	TRIM	DESCRIPTION
	J3693058	1	J						
13	11505389	1	U						RHD SNAP RING
	52104017AB	1	J						
14	52104017AB	1	U						BRACKET, Torque Shaft
15									ROD, Gear Shift Control, Transfer Case
	52078603	1				ER0	DG0		
		1				EP0			
16									BRACKET, Torque Shaft
	52078706	1				ER0	DG0		
		1				EP0			
	52078910	1				ER0	DBB		
17	52078872	1							ROD, Gear Shift Control, Transfer Case
18	J9419683	1				EP0			BOLT, Hex Flange Head, .312-18x.625
19	34201381	2							SCREW, Hex Flange Head Tapping, M6x1.00x20.00
20	06504601	5							NUT, Rivet Round, M5x0.80x11.09
21	52104014	4							GROMMET

WRANGLER (TJ)				
SERIES	LINE	BODY	ENGINE	TRANSMISSION
H = Sport	J = Wrangler 4WD	77 = 93.4 WB	EPE = ENGINE - 2.5L POWER TECH I-4 Cyl.	DDD = TRANSMISSION - 5-SPEED HD MANUAL
L = SE	U = Wrangler 4WD (RHD)		ERH = ENGINE - 4.0L POWER TECH I-6	DDQ = TRANSMISSION - 5-SPEED MANUAL
P = Sahara				DGD = TRANSMISSION - 3-SPD. AUTOMATIC,30RH
				DGG = TRANSMISSION - 3-SPD. AUTOMATIC,32RH
				DG0 = All Automatic Transmissions
				DBB = All Manual Transmissions
				DD0 = All 5 Speed Manual Transmissions

AR = use ase required - = Non illustrated part

Group - 21P

Speedometer Pinions

Group - 21P Speedometer Pinions

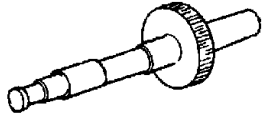
Group-Fig. No.

Illustration Title

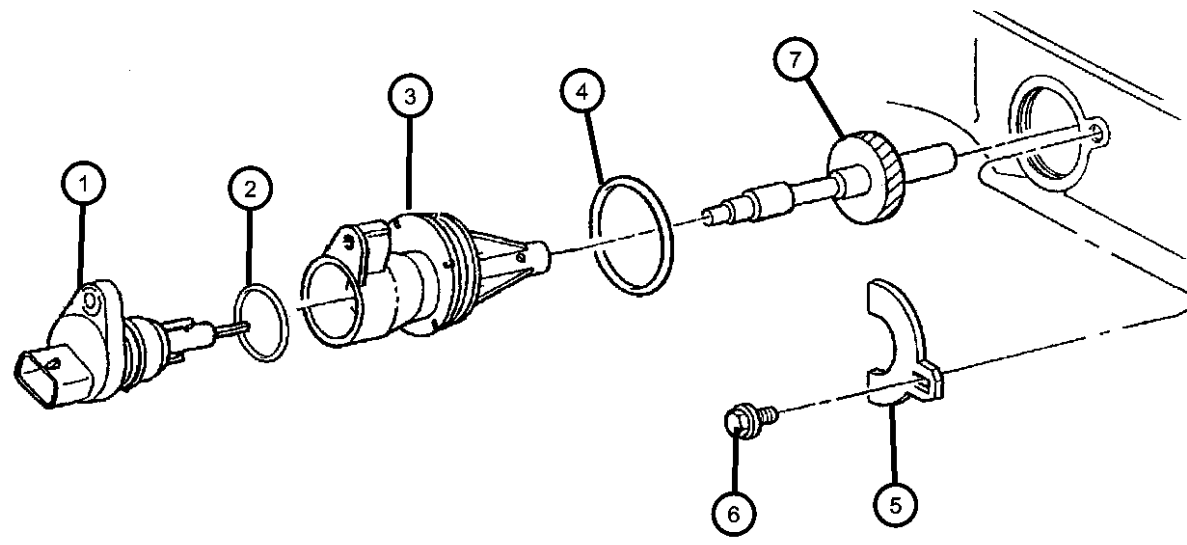
Speedometer Pinions

Speedometer Pinion And Housing..... Fig. 21P - 110

21P-100
Speedometer Pinions



**Speedometer Pinion And Housing
Figure 21P-110**



ITEM	PART NUMBER	QTY	LINE	SERIES	BODY	ENGINE	TRANS	TRIM	DESCRIPTION
1	56027905	1							SENSOR, Vehicle Speed
2	56028182	1							O RING
3	52069315	1							HOUSING, Speedometer Drive Gear
4	06035709	1							O RING, Trans Speedo Adapter
5	02892399	1							CLAMP, Speedometer
6	00180077	1							BOLT, Hex Head, 5/16x18x3/4
7									PINION, Speedometer Drive
	52067628	1							3.07 AXLE RATIO, 28 Teeth, 30x9.5R15 Wrangler OWL
	52067629	1							3.07 AXLE RATIO, 29Teeyh. All 225/245 Tires.
	52067631	1							3.07 AXLE RATIO, 31 Teeth, All 205 Tires.
	52067634	1							3.73 AXLE RATIO, 34 Teeth, 30x9.5R15 Wrangler OWL Goodyear Tires.
	52067636	1							3.73 AXLE RATIO, 36 Teeth, P225/70R16 BSW VSB All(.P225/75R15 OWL Wrangler.P215/75R1 Wrangler.P215/75R15 OWL All TER. Goodyear .)
	52067637	1							3.73 AXLE RATIO, 37 Teeth, P205/75R15 Wrangler RT, Goodyear Tires
	52067639	1							4.11 AXLE RATIO, 39 Teeth,All 225/245 Tires
	52067640	1							4.11 AXLE RATIO, 40 Teeth, All 215 Tires. P225/70R16 BSW VSB All.
	52067641	1							4.11 AXLE RATIO, 41 Teeth, All 205 Tires.

WRANGLER (TJ)

SERIES	LINE	BODY	ENGINE	TRANSMISSION
H = Sport	J = Wrangler 4WD	77 = 93.4 WB	EPE = ENGINE - 2.5L POWER TECH I-4 Cyl.	DDD = TRANSMISSION - 5-SPEED HD MANUAL
L = SE	U = Wrangler 4WD (RHD)		ERH = ENGINE - 4.0L POWER TECH I-6	DDQ = TRANSMISSION - 5-SPEED MANUAL
P = Sahara				DGD = TRANSMISSION - 3-SPD. AUTOMATIC,30RH
				DGG = TRANSMISSION - 3-SPD. AUTOMATIC,32RH
				DG0 = All Automatic Transmissions
				DBB = All Manual Transmissions
				DD0 = All 5 Speed Manual Transmissions

AR = use ase required - = Non illustrated part

Group - 22

Wheels, Covers and Jacks

Group - 22 Wheels, Covers and Jacks

Illustration Title

Group-Fig. No.

Wheels and Hardware

Wheels Fig. 22 - 110

Wheel Covers and Center Caps


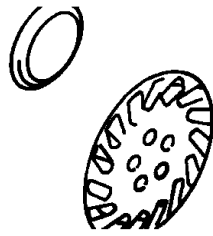
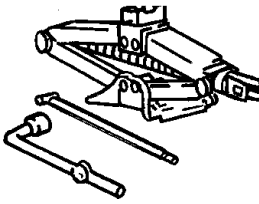
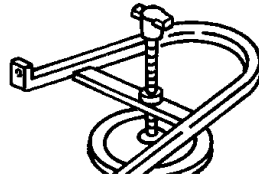
Caps And Covers Fig. 22 - 210

Jack Stowage

Jack And Storage Fig. 22 - 310

Spare Tire Stowage

Wheel, Spare Tailgate Mounted..... Fig. 22 - 410

<p>022-100 Wheels and Hardware</p> 	<p>022-200 Wheel Covers and Center Caps</p> 	<p>022-300 Jack Stowage</p> 	<p>022-400 Spare Tire Stowage</p> 
---	--	---	--

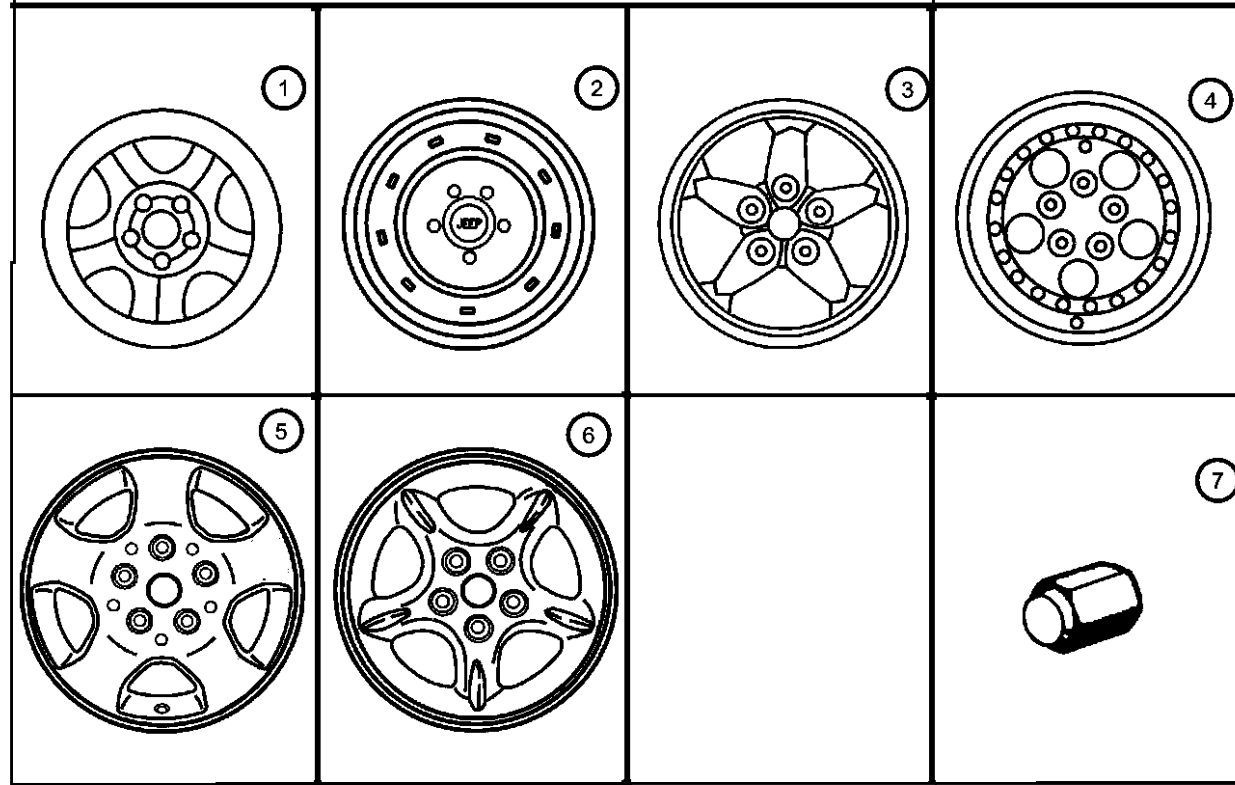
Wheels
Figure 22-110

ITEM	PART NUMBER	QTY	LINE	SERIES	BODY	ENGINE	TRANS	TRIM	DESCRIPTION
------	-------------	-----	------	--------	------	--------	-------	------	-------------

Note: Sales Code WJK = 15x6.0 Steel Wheels
 Note: Sales Code WJ5 = 15x7.0 Steel Wheels
 Note: Sales Code WJ1 = 15x7.0 Aluminum Wheels
 Note: Sales Code WJX = 15x8.0 Aluminum Wheels
 Note: Sales Code WDU = 16x7.0 Aluminum Wheels

1	52088140	1							
2	5FV63S4AAB	4							
3	5DR19TAE	4							
4	5GC81TAEAA	4							
5	5FG56PAKAB	4							
6	5GK75PAKAA	4							
7	J4006956	22							

WHEEL, Steel, 15x6 JJ Steel (WJK)
 WHEEL, Steel, 15x6 JJ Steel ((WJ5)
 WHEEL, Aluminum, 15x7 Aluminum (WJ1)
 WHEEL, Aluminum, 15x8 Aluminum (WJX)
 WHEEL, Aluminum, 16x7 Aluminum (WDU)
 WHEEL, Aluminum, [WDF]
 NUT, Wheel, .50x20, Capped Wheel



WRANGLER (TJ)

SERIES LINE

H = Sport

L = SE

P = Sahara

J = Wrangler 4WD

U = Wrangler 4WD (RHD)

BODY

77 = 93.4 WB

ENGINE

EPE = ENGINE - 2.5L POWER TECH I-4 Cyl.

ERH = ENGINE - 4.0L POWER TECH I-6

TRANSMISSION

DDD = TRANSMISSION - 5-SPEED HD MANUAL

DDQ = TRANSMISSION - 5-SPEED MANUAL

DGD = TRANSMISSION - 3-SPD. AUTOMATIC,30RH

DGG = TRANSMISSION - 3-SPD. AUTOMATIC,32RH

DG0 = All Automatic Transmissions

DBB = All Manual Transmissions

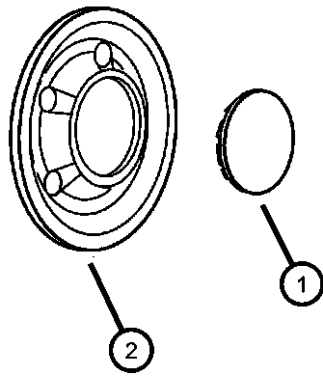
DD0 = All 5 Speed Manual Transmissions

AR = use ase required - = Non illustrated part

2000 TJ

Caps And Covers
Figure 22-210

ITEM	PART NUMBER	QTY	LINE	SERIES	BODY	ENGINE	TRANS	TRIM	DESCRIPTION
Note: Sales Code WJ9 = 15x8.0 Aluminum Wheels									
Note: Sales Code WJ5 = 15x7.0 Steel Wheels									
Note: Sales Code WJ1 = 15x7.0 Aluminum Wheels									
Note: Sales Code WJ9 = 15x8.0 Aluminum Wheels									
1	5DY07TAE	4							CAP, Wheel Center, [WJ1]
2									CAP, Wheel Center
	52089008	4							[WJK]
	5CF34L4A	4							[WJ5]
	5DY07TAE	1							[WDU,WDF]
-3	5CF97L3X	4							CAP, Wheel Center, Brushed Aluminum "Jeep" Name, [WJX]



WRANGLER (TJ)

SERIES
 H = Sport
 L = SE
 P = Sahara

LINE
 J = Wrangler 4WD
 U = Wrangler 4WD (RHD)

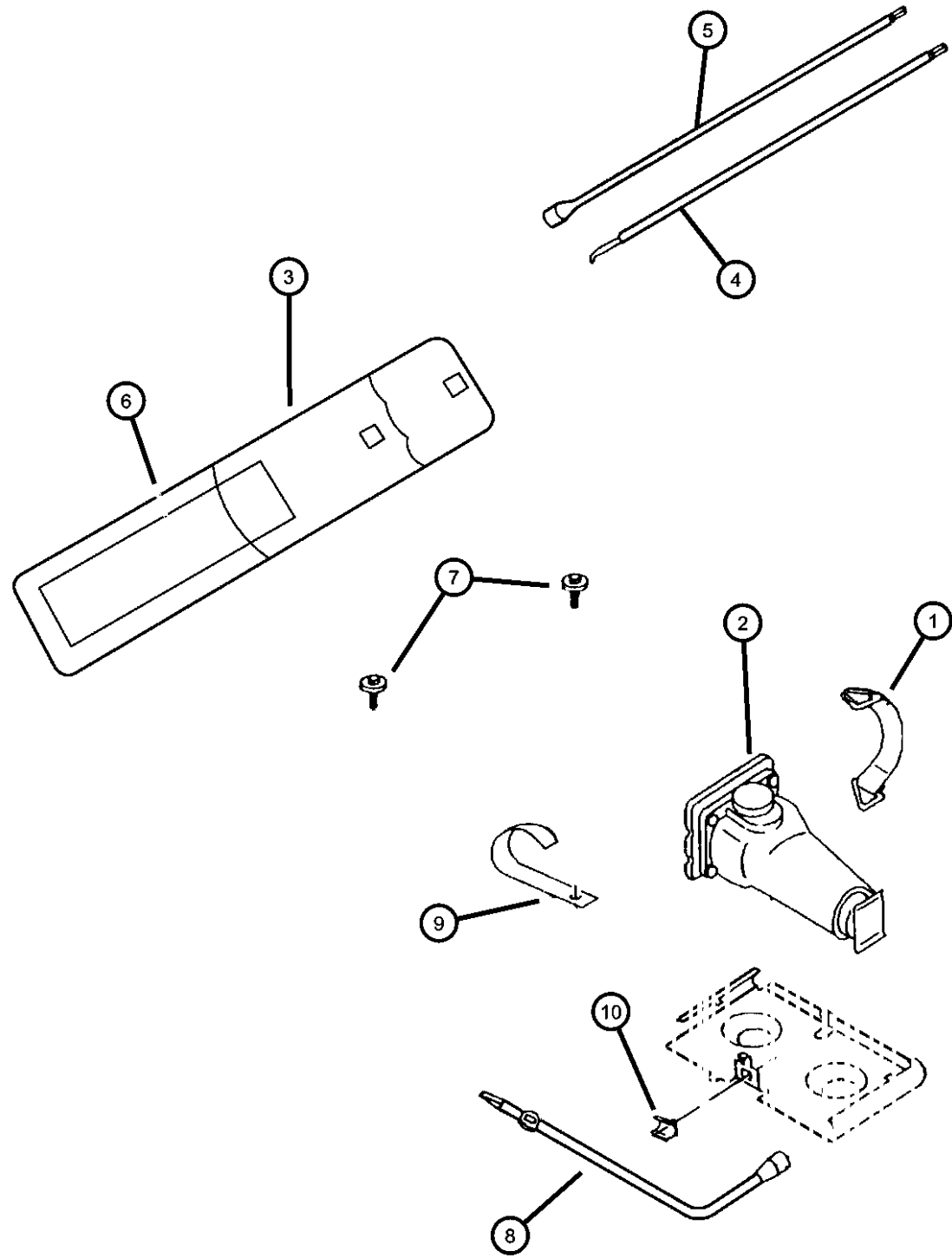
BODY
 77 = 93.4 WB

ENGINE
 EPE = ENGINE - 2.5L POWER TECH I-4 Cyl.
 ERH = ENGINE - 4.0L POWER TECH I-6

TRANSMISSION
 DDD = TRANSMISSION - 5-SPEED HD MANUAL
 DDQ = TRANSMISSION - 5-SPEED MANUAL
 DGD = TRANSMISSION - 3-SPD. AUTOMATIC,30RH
 DGG = TRANSMISSION - 3-SPD. AUTOMATIC,32RH
 DG0 = All Automatic Transmissions
 DBB = All Manual Transmissions
 DD0 = All 5 Speed Manual Transmissions

AR = use ase required - = Non illustrated part

Jack And Storage
Figure 22-310



ITEM	PART NUMBER	QTY	LINE	SERIES	BODY	ENGINE	TRANS	TRIM	DESCRIPTION
1	52038254	1							STRAP, Jack Storage
2	52058912AB	1							JACK
3	52059162AB	1							BAG, Jack Tool Storage
4	52058905AB	1							EXTENSION, Jack Handle
5	52088133AB	1							HANDLE, Jack
6	52088133AB	1							LABEL, Serviced in #3, (NOT SERVICED)
7	06504616	2							SCREW, M4.2x1.41
8	52058907	1							WRENCH, Wheel Lug Nut
9	52059047	2							STRAP, Jack Tool Storage
10	06504697	1							CLIP, Lug Wrench

WRANGLER (TJ)

SERIES LINE
H = Sport J = Wrangler 4WD
L = SE U = Wrangler 4WD (RHD)
P = Sahara

BODY
77 = 93.4 WB

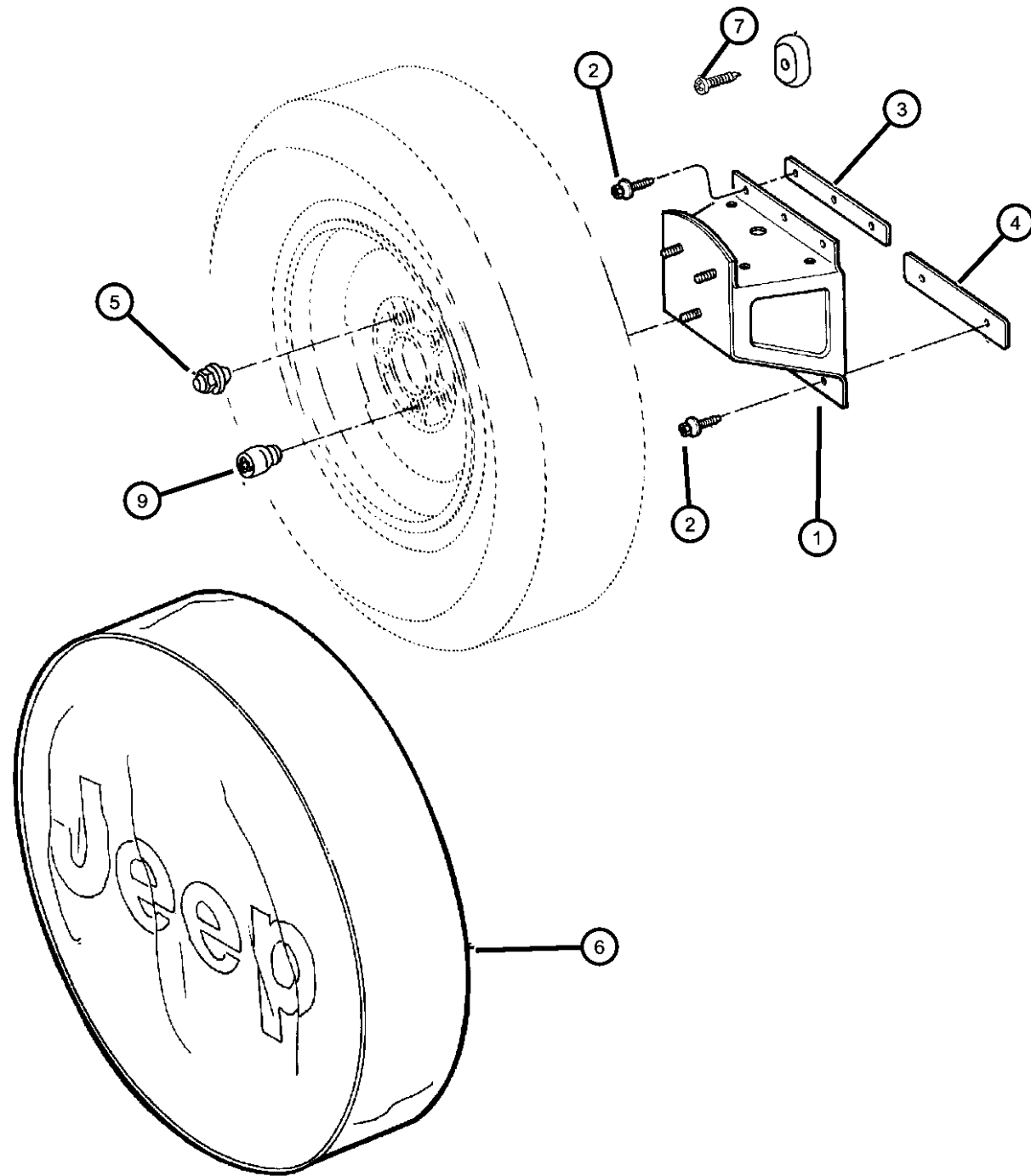
ENGINE
EPE = ENGINE - 2.5L POWER
TECH I-4 Cyl.
ERH = ENGINE - 4.0L
POWER TECH I-6

TRANSMISSION
DDD = TRANSMISSION - 5-SPEED
HD MANUAL
DDQ = TRANSMISSION - 5-SPEED
MANUAL
DGD = TRANSMISSION - 3-SPD.
AUTOMATIC,30RH
DGG = TRANSMISSION - 3-SPD.
AUTOMATIC,32RH
DG0 = All Automatic Transmissions
DBB = All Manual Transmissions
DD0 = All 5 Speed Manual
Transmissions

AR = use ase required - = Non illustrated part

2000 TJ

**Wheel, Spare Tailgate Mounted
Figure 22-410**



ITEM	PART NUMBER	QTY	LINE	SERIES	BODY	ENGINE	TRANS	TRIM	DESCRIPTION
1	55175913AC	1							BRACKET, Spare Tire
2	06035053	5							SCREW AND WASHER, Hex Head, .312-18x1.125
3	55010841AB	1							GASKET, Spare Tire Bracket, Upper Carrier
4	55010928AB	1							GASKET, Spare Tire Bracket, Lower Carrier
5	J4006956	23							NUT, Wheel, .50x20
6									COVER, Spare Tire
	5FF45VK9	1			P				Spice, 'Sahara' Europe
	5FF47TX7	1			L				Black
	5FF55TX7	1			H, L				Black, 'Saraha' Europe
	5FF57VK9	1			P				Spice, 'Sahara'
7	5FF57VK9	1							SCREW, (NOT SERVICED),
-8	55013350	4							BUMPER, Spare Tire Impact
9	52088515	1							NUT, Lock, .50-20, Includes Key

WRANGLER (TJ)

SERIES LINE
H = Sport J = Wrangler 4WD
L = SE U = Wrangler 4WD (RHD)
P = Sahara

BODY
77 = 93.4 WB

ENGINE
EPE = ENGINE - 2.5L POWER TECH I-4 Cyl.
ERH = ENGINE - 4.0L POWER TECH I-6

TRANSMISSION
DDD = TRANSMISSION - 5-SPEED HD MANUAL
DDQ = TRANSMISSION - 5-SPEED MANUAL
DGD = TRANSMISSION - 3-SPD. AUTOMATIC,30RH
DGG = TRANSMISSION - 3-SPD. AUTOMATIC,32RH
DGO = All Automatic Transmissions
DBB = All Manual Transmissions
DDO = All 5 Speed Manual Transmissions

AR = use ase required - = Non illustrated part

Group - 23D

Wiper/Lock Cylinder and Keys

Group - 23D Wiper/Lock Cylinder and Keys

Group-Fig. No.

Illustration Title

Lock Cylinders and Keys

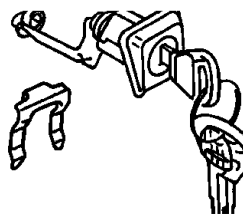
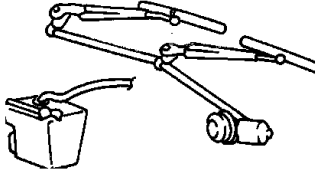
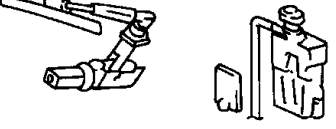
Lock Cylinders & KeysFig. 23D - 105

Windshield Wiper and Washer Systems

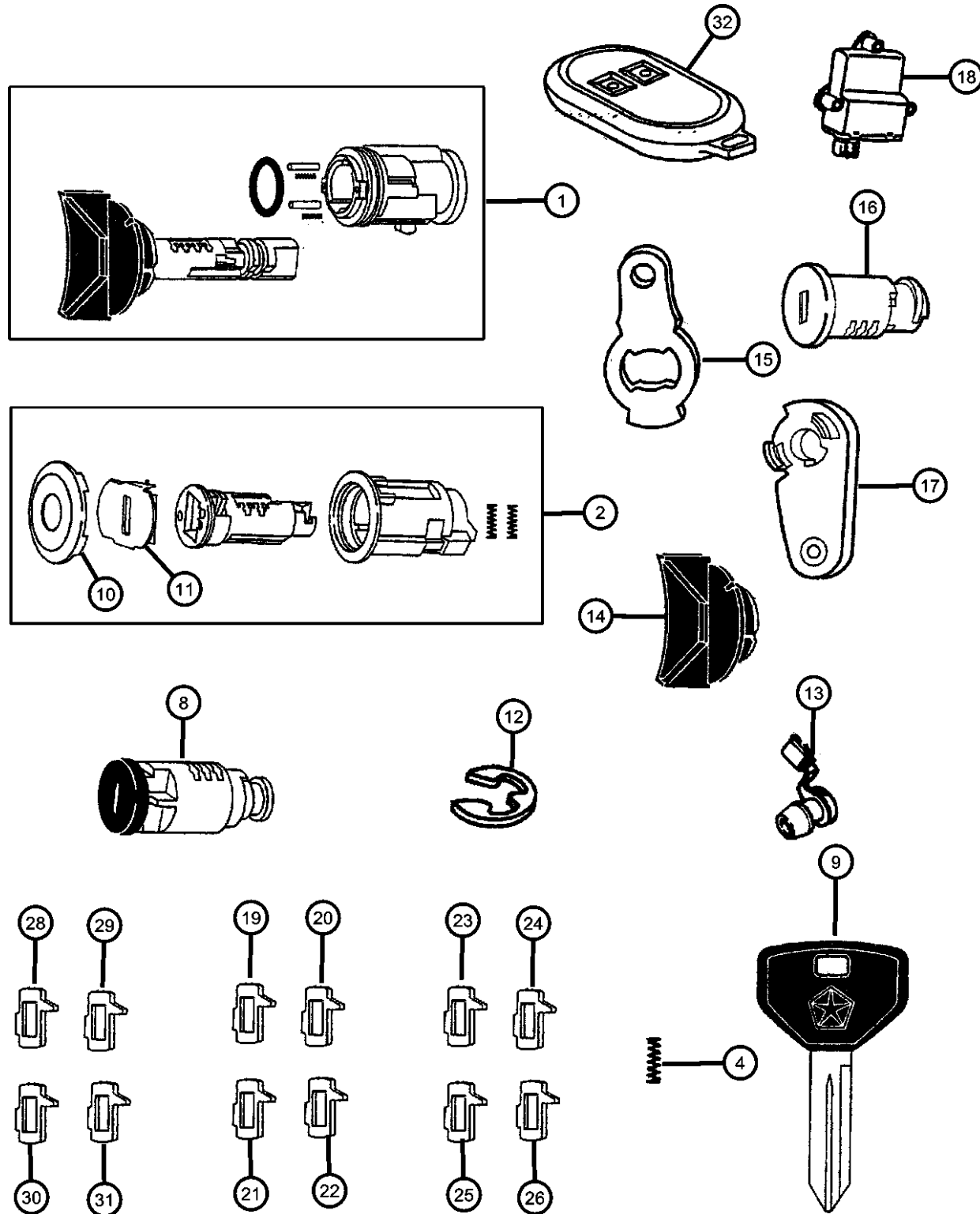
Wiper System FrontFig. 23D - 205

Rear Wiper and Washer System

Rear Wiper SystemFig. 23D - 305

<p>23D-100 Lock Cylinders and Keys</p> 	<p>23D-200 Windshield Wiper and Washer Systems</p> 	<p>23D-300 Rear Wiper and Washer System</p> 	
--	---	---	--

Lock Cylinders & Keys
Figure 23D-105



ITEM	PART NUMBER	QTY	LINE	SERIES	BODY	ENGINE	TRANS	TRIM	DESCRIPTION
------	-------------	-----	------	--------	------	--------	-------	------	-------------

NOTE: ALL CYLINDERS ARE UNCODED

1	05003843AA	1							CYLINDER, Ignition Lock
2	04778123	1							CYLINDER, Door Lock
-3	04746904	1							LOCK CYLINDER, Decklid, Black, Tailgate
4	04378793	2							SPRING, Cylinder Return
-5	05010883AA	1							SPRING, Ignition Tumbler, Sidebar
-6	55074799	1							GASKET, Door Lock Cylinder, Black, Door Lock Cylinder (Black)
-7	02583377	1							RETAINER, Door Lock Cylinder, Half Door
8	04746315	AR							CYLINDER, Glove Box Lock
9									KEY, Master
	05013807AA	1							Centry 'JEEP' Logo
	05013809AA	2							Penta Star Logo
10	05257148	1							CAP, Door Lock Cylinder, Black
11	04778150	2							SHUTTER, Door, Deck and Liftgate, Bright
12	06026125	1							CLIP, Retainer
13									CLIP, Latch
	04658444	1							Purple
	04658445	1							Orange
14	04658445	1							KNOB, Ignition Cylinder, Black Plastic, Serviced w/Cylinder, (NOT REQUIRED),
15	55075824	1							LEVER, Door Lock Cylinder, Tailgate
16	04746305	1							CYLINDER, Console Lock
17	55076307	1							LEVER, Door Lock
18	56009712AC	1							MODULE, Security Alarm, Immobilizer Module/Smart Key
19	05010879AA	1							TUMBLER, Ignition Number 1, Sidebar
20	05010880AA	1							TUMBLER, Ignition Number 2, Sidebar

WRANGLER (TJ)

SERIES	LINE
H = Sport	J = Wrangler 4WD
L = SE	U = Wrangler 4WD (RHD)
P = Sahara	

BODY
77 = 93.4 WB

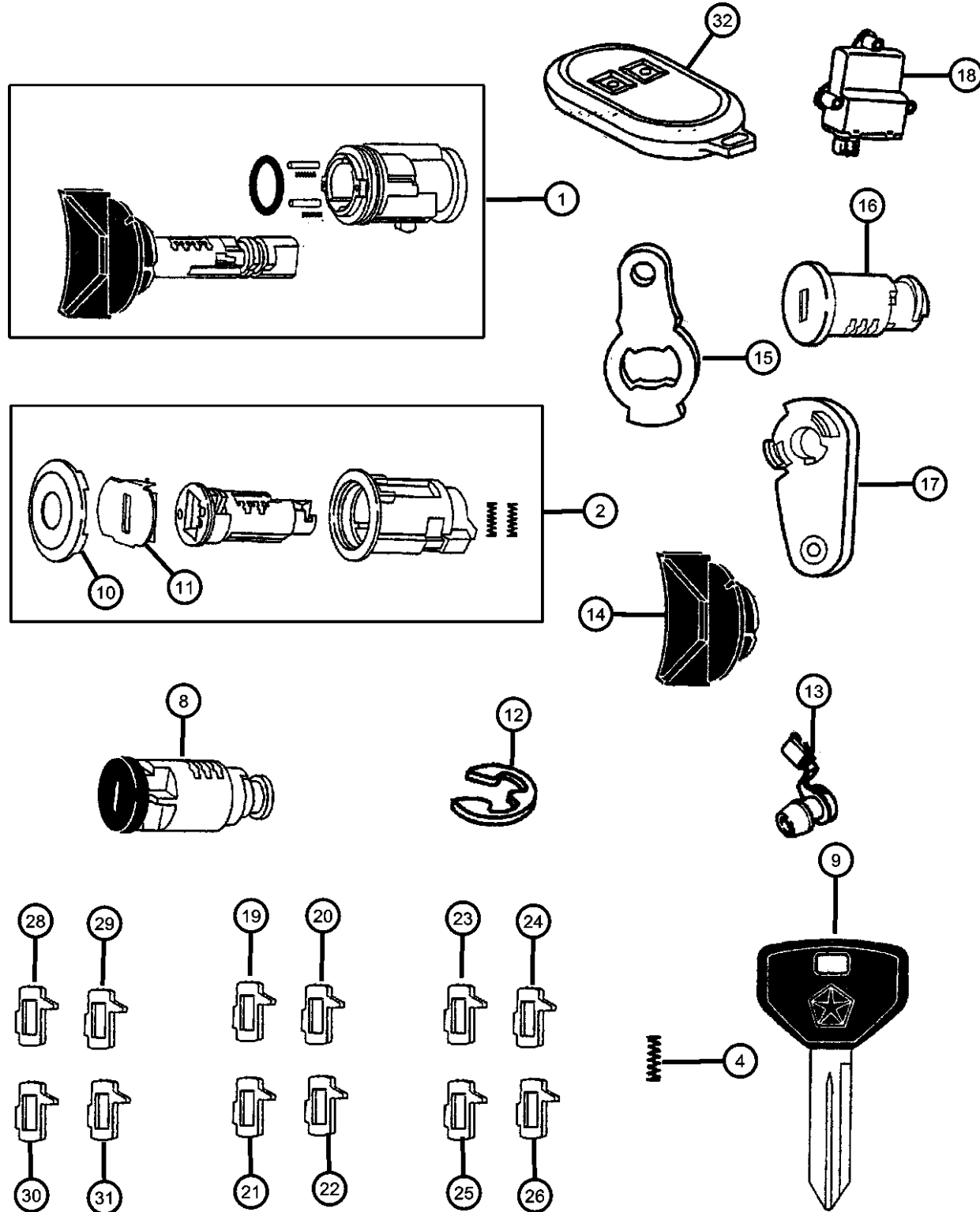
ENGINE
EPE = ENGINE - 2.5L POWER TECH I-4 Cyl.
ERH = ENGINE - 4.0L POWER TECH I-6

TRANSMISSION
DDD = TRANSMISSION - 5-SPEED HD MANUAL
DDQ = TRANSMISSION - 5-SPEED MANUAL
DGD = TRANSMISSION - 3-SPD. AUTOMATIC,30RH
DGG = TRANSMISSION - 3-SPD. AUTOMATIC,32RH
DG0 = All Automatic Transmissions
DBB = All Manual Transmissions
DD0 = All 5 Speed Manual Transmissions

AR = use ase required - = Non illustrated part

2000 TJ

Lock Cylinders & Keys
Figure 23D-105



ITEM	PART NUMBER	QTY	LINE	SERIES	BODY	ENGINE	TRANS	TRIM	DESCRIPTION
21	05010881AA	1							TUMBLER, Ignition Number 3, Sidebar
22	05010882AA	1							TUMBLER, Ignition Number 4, Sidebar
23	05257132	1							TUMBLER, Ignition Number 1, use with console and glove box cylinders
24	05257133	1							TUMBLER, Ignition Number 2, use with console and glove box cylinders
25	05257134	1							TUMBLER, Ignition Number 3, use with console and glove box cylinders
26	05257135	1							TUMBLER, Ignition Number 4, use with console and glove box cylinders
-27	04778121	2							SPRING, Door and Deck Tumbler
28	04778117	2							TUMBLER, Door and Deck Number 1, Wide
29	04778118	2							TUMBLER, Door and Deck Number 2, Wide
30	04778119	2							TUMBLER, Door and Deck Number 3, Wide
31	04778120	2							TUMBLER, Door and Deck Number 4, Wide
32	04886374AA	1	J		77				TRANSMITTER, Alarm or Keyless

WRANGLER (TJ)
 SERIES LINE
 H = Sport J = Wrangler 4WD
 L = SE U = Wrangler 4WD (RHD)
 P = Sahara

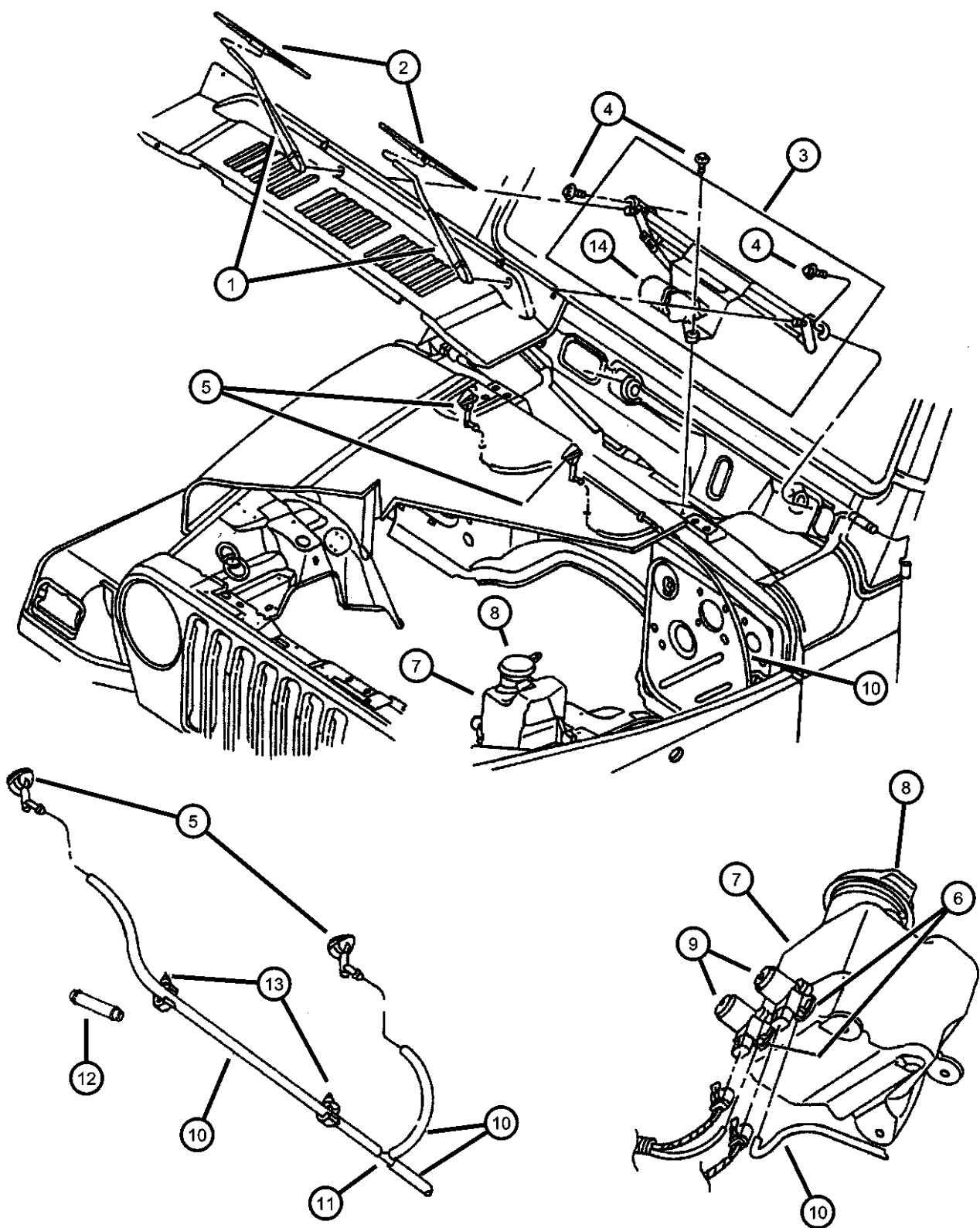
BODY
 77 = 93.4 WB

ENGINE
 EPE = ENGINE - 2.5L POWER TECH I-4 Cyl.
 ERH = ENGINE - 4.0L POWER TECH I-6

TRANSMISSION
 DDD = TRANSMISSION - 5-SPEED HD MANUAL
 DDQ = TRANSMISSION - 5-SPEED MANUAL
 DGD = TRANSMISSION - 3-SPD. AUTOMATIC,30RH
 DGG = TRANSMISSION - 3-SPD. AUTOMATIC,32RH
 DG0 = All Automatic Transmissions
 DBB = All Manual Transmissions
 DD0 = All 5 Speed Manual Transmissions

AR = use ase required - = Non illustrated part

**Wiper System Front
Figure 23D-205**



ITEM	PART NUMBER	QTY	LINE	SERIES	BODY	ENGINE	TRANS	TRIM	DESCRIPTION
1									ARM, Wiper
	55155658	2	J						
	55155659	2	U						
2	55154762AC	2							BLADE, Wiper
	WB000013AD								Mopar V-Line Alternative Part
	WBW00013AD								Mopar Alternative Winter Wiper Blades
3									MODULE, Wiper
	55154766	1	J						
	55154768	1	U						
4	06100568	3							BOLT AND WASHER, Implement Attaching
5	55154938	2							NOZZLE, Washer, Windshield
6	05013755AA	1							GROMMET, Washer Reservoir
7									RESERVOIR, Washer
	04874393	1							w/Dual Pump
	04874394	1							w/Single Pump
8	04874395	1							CAP, Washer Reservoir Filler, w/Gasket
9	04797695	1							PUMP, Washer, Windshield
10	HWV00532	1							HOSE, Washer And Vacuum, 50 Foot Roll 5/32"
11	J3210891	1							TEE, Washer Hose
12	04805010	2							CHECK VALVE, Washer
13	05288255	2							CLIP, Hood Washer Hose
14									MOTOR, Wiper
	04864892	1	J						Windshield Wiper
	R4864892								Mopar Remanufactured Part
	U4864892								Core Part
		1	U						Windshield Wiper
	R4864892								Mopar Remanufactured Part
	U4864892								Core Part

WRANGLER (TJ)

SERIES LINE
H = Sport J = Wrangler 4WD
L = SE U = Wrangler 4WD (RHD)
P = Sahara

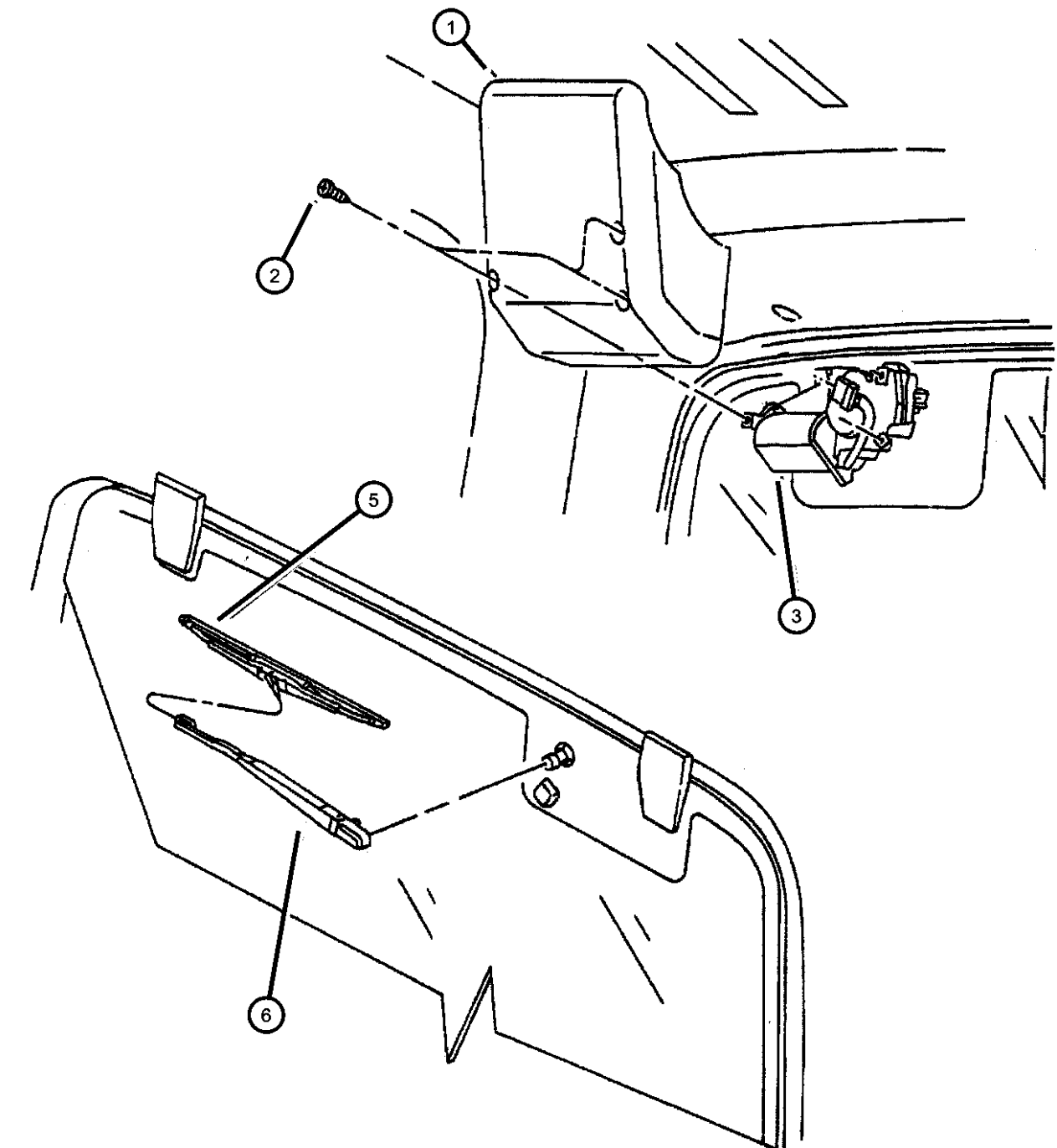
BODY
77 = 93.4 WB

ENGINE
EPE = ENGINE - 2.5L POWER TECH I-4 Cyl.
ERH = ENGINE - 4.0L POWER TECH I-6

TRANSMISSION
DDD = TRANSMISSION - 5-SPEED HD MANUAL
DDQ = TRANSMISSION - 5-SPEED MANUAL
DGD = TRANSMISSION - 3-SPD. AUTOMATIC,30RH
DGG = TRANSMISSION - 3-SPD. AUTOMATIC,32RH
DGO = All Automatic Transmissions
DBB = All Manual Transmissions
DD0 = All 5 Speed Manual Transmissions

AR = use ase required - = Non illustrated part

Rear Wiper System
Figure 23D-305



ITEM	PART NUMBER	QTY	LINE	SERIES	BODY	ENGINE	TRANS	TRIM	DESCRIPTION
1	55155030	1							COVER, Wiper Motor
2	55155030	1							SCREW, 164-18X.750 (Not Serviced), (NOT SERVICED)
3	55155322AB	1							MOTOR, Wiper
	R5155322AB								Mopar Remanufactured Part
	U5155322AB								Core Part
-4	04883521AA	1							NUT, Rear Wiper Motor
5	55155445	1							BLADE, Wiper
	WB000018AD								Mopar V-Line Alternative Part
	WBW00018AD								Mopar Alternative Winter Wiper Blades
6	55155660	1							ARM, Wiper, Rear
-7	55176464	1							GROMMET, Wiper Motor And Bracket
-8	04883520AA	1							NOZZLE, Liftgate Washer
-9	55155457	1							CHECK VALVE, Washer
-10	56003982	1							PLUG, Sealing
-11	55154545	1							WASHER, Between Glass & Motor
-12	55154556	1							SPACER, Wiper Motor, Triangle Shaped
-13	56003682	1							NUT, Hex Flange, M16

WRANGLER (TJ)

SERIES	LINE	BODY	ENGINE	TRANSMISSION
H = Sport	J = Wrangler 4WD	77 = 93.4 WB	EPE = ENGINE - 2.5L POWER TECH I-4 Cyl.	DDD = TRANSMISSION - 5-SPEED HD MANUAL
L = SE	U = Wrangler 4WD (RHD)		ERH = ENGINE - 4.0L POWER TECH I-6	DDQ = TRANSMISSION - 5-SPEED MANUAL
P = Sahara				DGD = TRANSMISSION - 3-SPD. AUTOMATIC,30RH
				DGG = TRANSMISSION - 3-SPD. AUTOMATIC,32RH
				DG0 = All Automatic Transmissions
				DBB = All Manual Transmissions
				DD0 = All 5 Speed Manual Transmissions

AR = use ase required - = Non illustrated part

Group - 24

Air Conditioning & Heater

Group - 24 Air Conditioning & Heater

Group-Fig. No.

Illustration Title

Air Conditioner and Heater Units

Hevac Unit Fig. 24 - 110

Air Conditioner and Heater Plumbing

Hoses, Heater 2.5L Engine..... Fig. 24 - 205
 Hoses, Heater 2.5L Engine, RHD..... Fig. 24 - 210
 Hoses, Heater 4.0L Engine, LHD Fig. 24 - 215
 Hoses, Heater 4.0L Engine, RHD..... Fig. 24 - 220
 Plumbing, Hevac 2.5L Engine..... Fig. 24 - 225
 Plumbing, Hevac 2.5L Engine, RHD..... Fig. 24 - 230
 Plumbing, Hevac 4.0L Engine..... Fig. 24 - 235
 Plumbing, Hevac 4.0L Engine, RHD Fig. 24 - 240
 Seals, A/c Condenser..... Fig. 24 - 245

Air Conditioner and Heater Controls

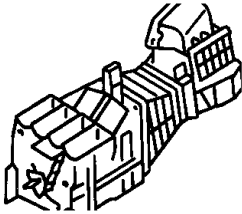
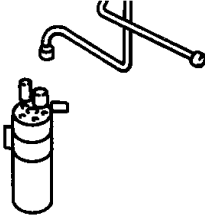
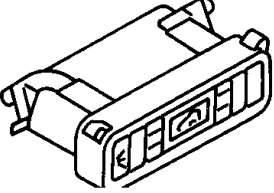
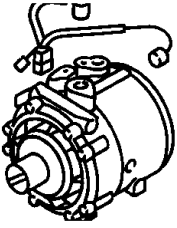
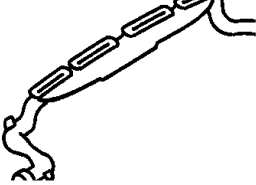
Control, Heater And A/c Fig. 24 - 310

Air Conditioning Compressor

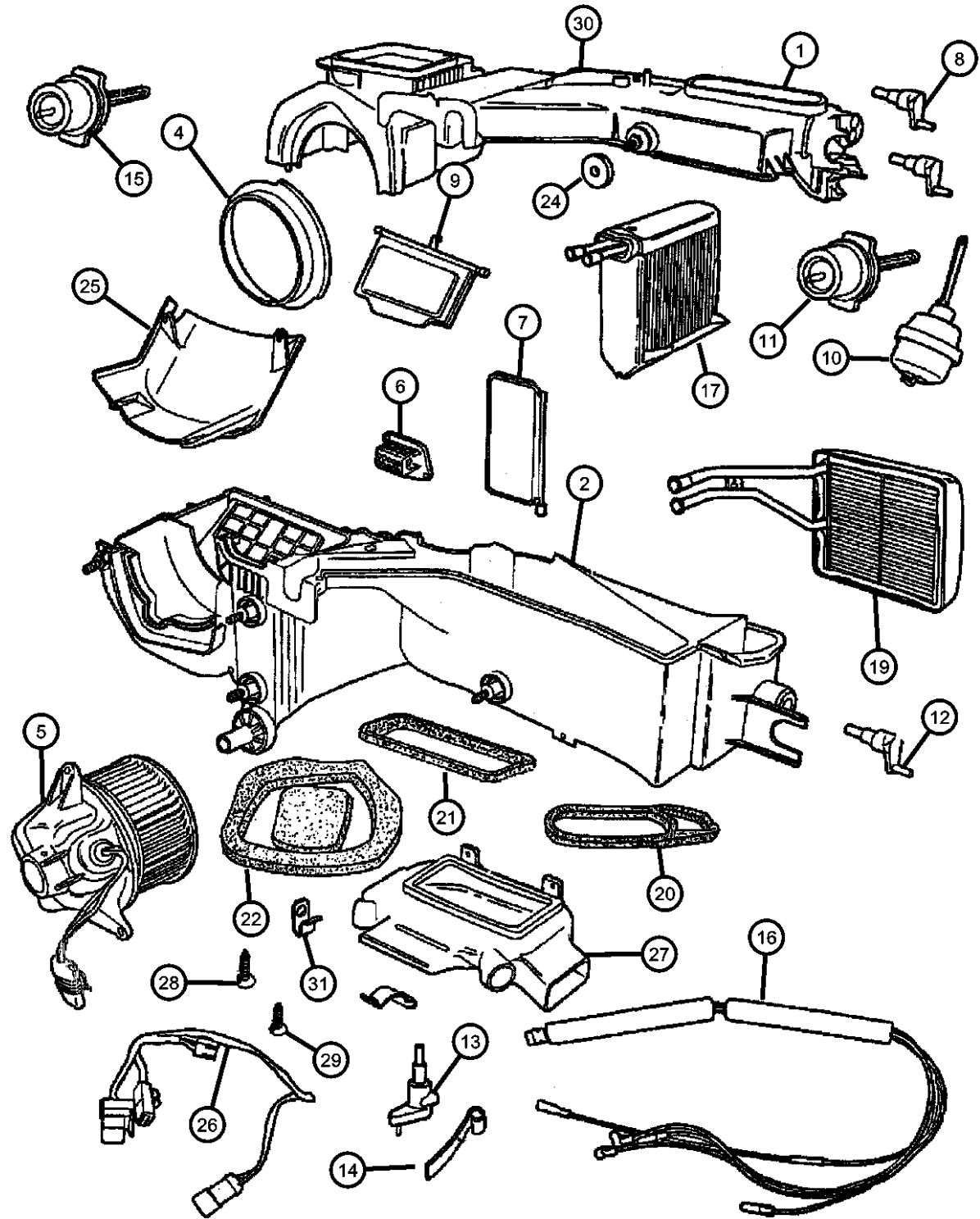
Compressor, A/c..... Fig. 24 - 410

Air Ducts and Outlets

Ducts, Heater And A/c Fig. 24 - 610

<p>024-100 Air Conditioner and Heater Units</p> 	<p>024-200 Air Conditioner and Heater Plumbing</p> 	<p>024-300 Air Conditioner and Heater Controls</p> 	<p>024-400 Air Conditioning Compressor</p> 
<p>024-600 Air Ducts and Outlets</p> 			

Hevac Unit
Figure 24-110



ITEM	PART NUMBER	QTY	LINE	SERIES	BODY	ENGINE	TRANS	TRIM	DESCRIPTION
------	-------------	-----	------	--------	------	--------	-------	------	-------------

Note: Sales Code EP0 = 2.5L Engine
Note: Sales Code ER0 = 4.0L Engine

1	05013731AA	1	J						HOUSING, Heater Upper
	05013734AA	1	U						Upper
2	05013738AA	1	U						HOUSING, A/C Lower
	05014859AA	1	J						with A/C
	05014860AA	1	J						without A/C
-3	05013730AA	1	J						HOUSING, A/C Upper
	05013733AA	1	U						
4	04338909	1				EP0, ER0			RING
	04864951	1	J						Venturi
		1	U						Venturi
5	04864956	1	U						BLOWER
	04886150AA	1	J						
6	04864957	1	J						RESISTOR, Blower Motor
		1	U						
7	04897610AA	1	J						DOOR, Blend Air Up to 11-15-99
	04897611AA	1	U						
	05073553AA	1	J						After 11-15-99
8	05013742AA	1	J						ADAPTER, Blend Door, A/C and Heater, Use on Up to 11-15-99 Blend door
9	04864992	1	J						DOOR, Fresh Air

WRANGLER (TJ)

SERIES LINE
H = Sport J = Wrangler 4WD
L = SE U = Wrangler 4WD (RHD)
P = Sahara

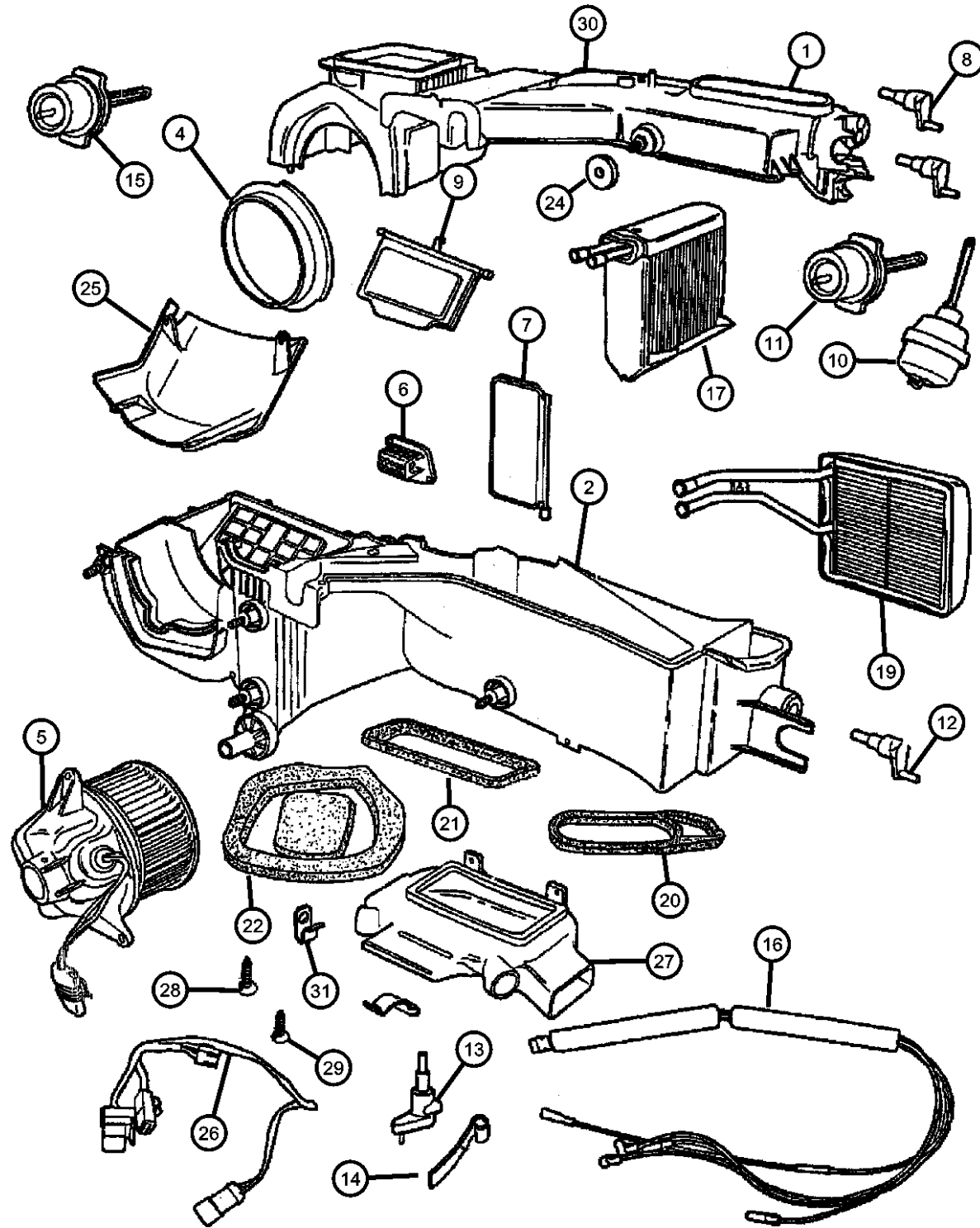
BODY
77 = 93.4 WB

ENGINE
EPE = ENGINE - 2.5L POWER
TECH I-4 Cyl.
ERH = ENGINE - 4.0L
POWER TECH I-6

TRANSMISSION
DDD = TRANSMISSION - 5-SPEED
HD MANUAL
DDQ = TRANSMISSION - 5-SPEED
MANUAL
DGD = TRANSMISSION - 3-SPD.
AUTOMATIC,30RH
DGG = TRANSMISSION - 3-SPD.
AUTOMATIC,32RH
DG0 = All Automatic Transmissions
DBB = All Manual Transmissions
DD0 = All 5 Speed Manual
Transmissions

AR = use ase required - = Non illustrated part

Hevac Unit
Figure 24-110



ITEM	PART NUMBER	QTY	LINE	SERIES	BODY	ENGINE	TRANS	TRIM	DESCRIPTION
10	04864993	1	U						ACTUATOR, Vacuum
	04864994	1	U						
		1	J						
11	04864995	1	J						ACTUATOR, Vacuum
		1	U						
12		1	U						ACTUATOR, Blend Door
	05013741AA	1	U						
		1	J						
13									ADAPTER, Blend Door, A/C and Heater
	05013742AA	1	J						
	05013743AA	1	U						
14	05013745AA	1	J						BRACKET, Blend Door Adapter, A/C and Heater
15									ACTUATOR, Vacuum
	04864996	1	J						
		1	U						
16									HARNESS, Heater Vacuum
	04864998AC	1	J						
		1	U						
17									EVAPORATOR KIT, A/C
	04864999AC	1	J						
	04874044AC	1	U						
-18	56000724AB	1	J						TUBE, Evaporator Housing
19									CORE, Heater
	04874045	1	J						
	04874046	1	U						
20									SEAL, Defroster Duct
	04874064	1	J						

WRANGLER (TJ)

SERIES LINE
H = Sport J = Wrangler 4WD
L = SE U = Wrangler 4WD (RHD)
P = Sahara

BODY
77 = 93.4 WB

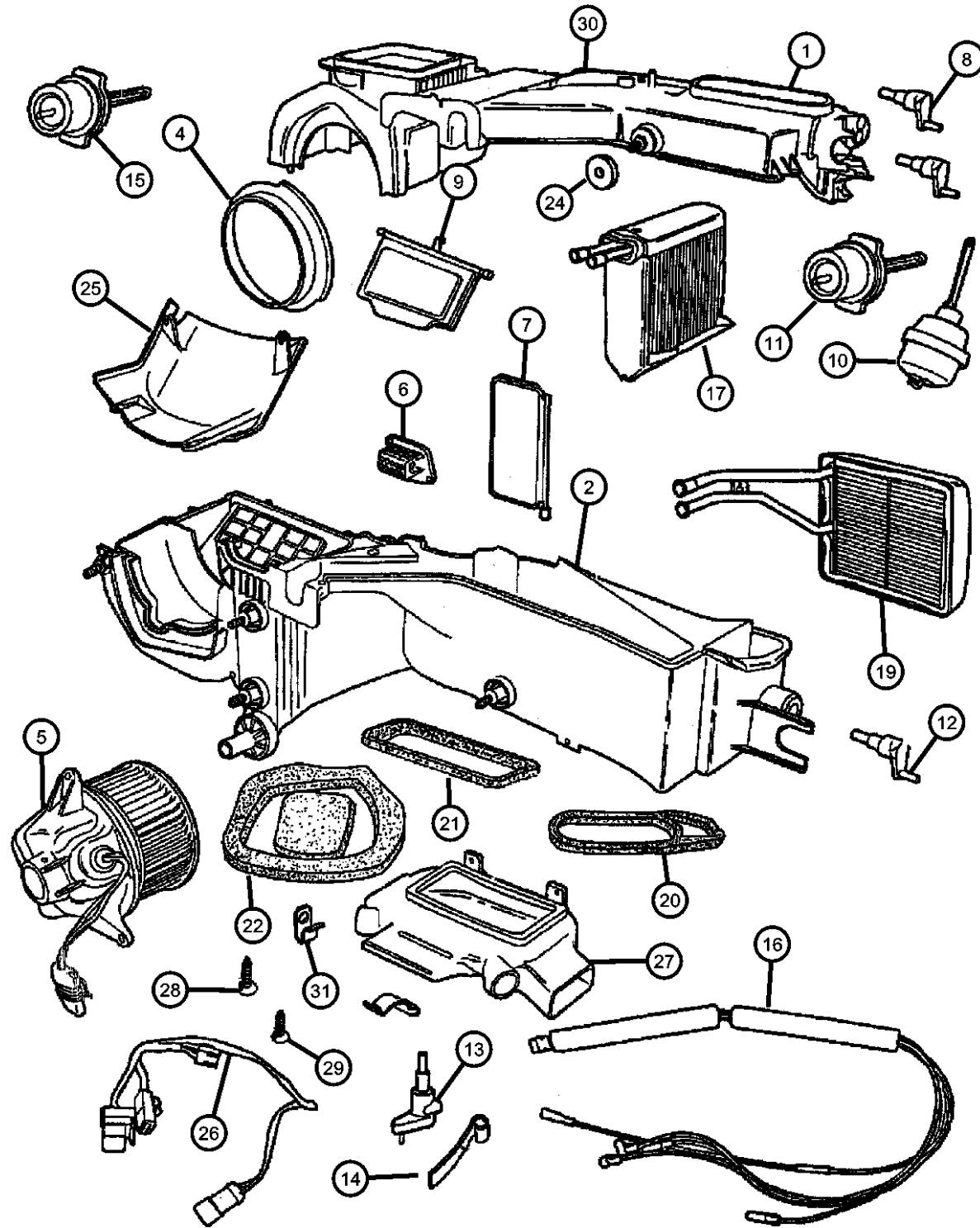
ENGINE
EPE = ENGINE - 2.5L POWER TECH I-4 Cyl.
ERH = ENGINE - 4.0L POWER TECH I-6

TRANSMISSION
DDD = TRANSMISSION - 5-SPEED HD MANUAL
DDQ = TRANSMISSION - 5-SPEED MANUAL
DGD = TRANSMISSION - 3-SPD. AUTOMATIC,30RH
DGG = TRANSMISSION - 3-SPD. AUTOMATIC,32RH
DG0 = All Automatic Transmissions
DBB = All Manual Transmissions
DD0 = All 5 Speed Manual Transmissions

AR = use ase required - = Non illustrated part

2000 TJ

Hevac Unit
Figure 24-110



ITEM	PART NUMBER	QTY	LINE	SERIES	BODY	ENGINE	TRANS	TRIM	DESCRIPTION
21	04874066	1	U						SEAL, Vent
	04874068	1	J						
		1	U						
22									SEAL, Drain To Dash with Air Conditioning
	04874069AB	1	J						with Air Conditioning
	04874070AB	1	U						with Air Conditioning
-23									SEAL, Drain Tube without Air Conditioning
	04874071AB	1	J						without Air Conditioning
	04874072AB	1	U						without Air Conditioning
24	55254848	4							WASHER, Sealing
25									COVER, Recirculating Valve
	04874078	1	J						
	04874079	1	U						
26									WIRING, Air Conditioning Module
	05013744AA	1	J						
		1	U						
27									DUCT, Floor Distribution
	04874088	1	J						
	04874089	1	U						
28									SCREW, Hex Head, M4.8-1.59x19
	04734227	15	J						
		15	U						
29									SCREW
	09419322	1	J						
		1	U						
30									CLIP, A/C Heater Housing
	04644388	4	J						
		4	U						

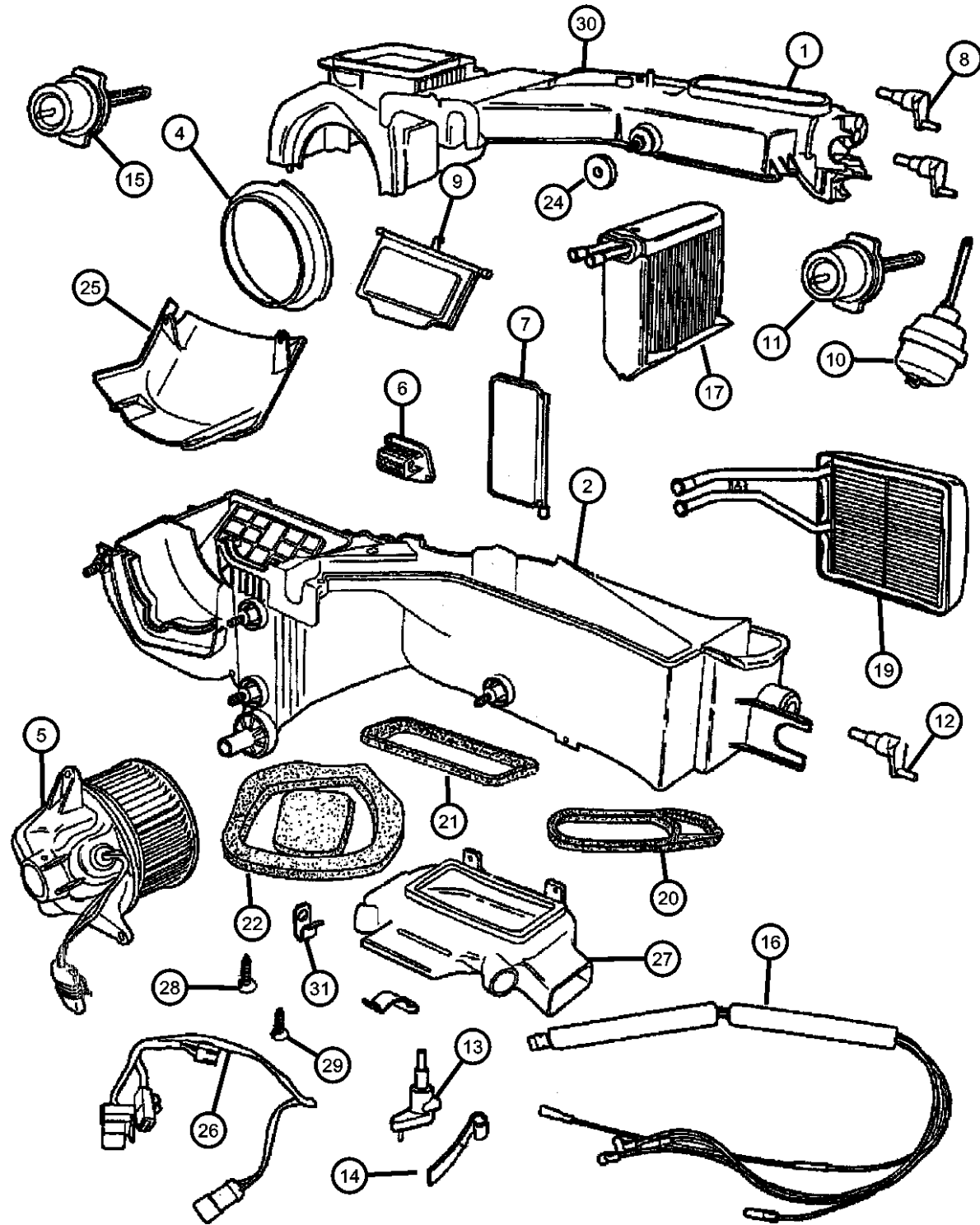
WRANGLER (TJ)

SERIES LINE BODY ENGINE TRANSMISSION
H = Sport J = Wrangler 4WD 77 = 93.4 WB
L = SE U = Wrangler 4WD (RHD)
P = Sahara

ENGINE TRANSMISSION
EPE = ENGINE - 2.5L POWER TECH I-4 Cyl.
ERH = ENGINE - 4.0L POWER TECH I-6
DDD = TRANSMISSION - 5-SPEED HD MANUAL
DDQ = TRANSMISSION - 5-SPEED MANUAL
DGD = TRANSMISSION - 3-SPD. AUTOMATIC,30RH
DGG = TRANSMISSION - 3-SPD. AUTOMATIC,32RH
DGO = All Automatic Transmissions
DBB = All Manual Transmissions
DDO = All 5 Speed Manual Transmissions

AR = use ase required - = Non illustrated part

Hevac Unit
Figure 24-110



ITEM	PART NUMBER	QTY	LINE	SERIES	BODY	ENGINE	TRANS	TRIM	DESCRIPTION
------	-------------	-----	------	--------	------	--------	-------	------	-------------

31									CLIP, Air Conditioning, 25mm Diameter
	04644127	1	J						
		1	U						

WRANGLER (TJ)

SERIES	LINE
H = Sport	J = Wrangler 4WD
L = SE	U = Wrangler 4WD (RHD)
P = Sahara	

BODY
77 = 93.4 WB

ENGINE
EPE = ENGINE - 2.5L POWER TECH I-4 Cyl.
ERH = ENGINE - 4.0L POWER TECH I-6

TRANSMISSION
DDD = TRANSMISSION - 5-SPEED HD MANUAL
DDQ = TRANSMISSION - 5-SPEED MANUAL
DGD = TRANSMISSION - 3-SPD. AUTOMATIC,30RH
DGG = TRANSMISSION - 3-SPD. AUTOMATIC,32RH
DG0 = All Automatic Transmissions
DBB = All Manual Transmissions
DD0 = All 5 Speed Manual Transmissions

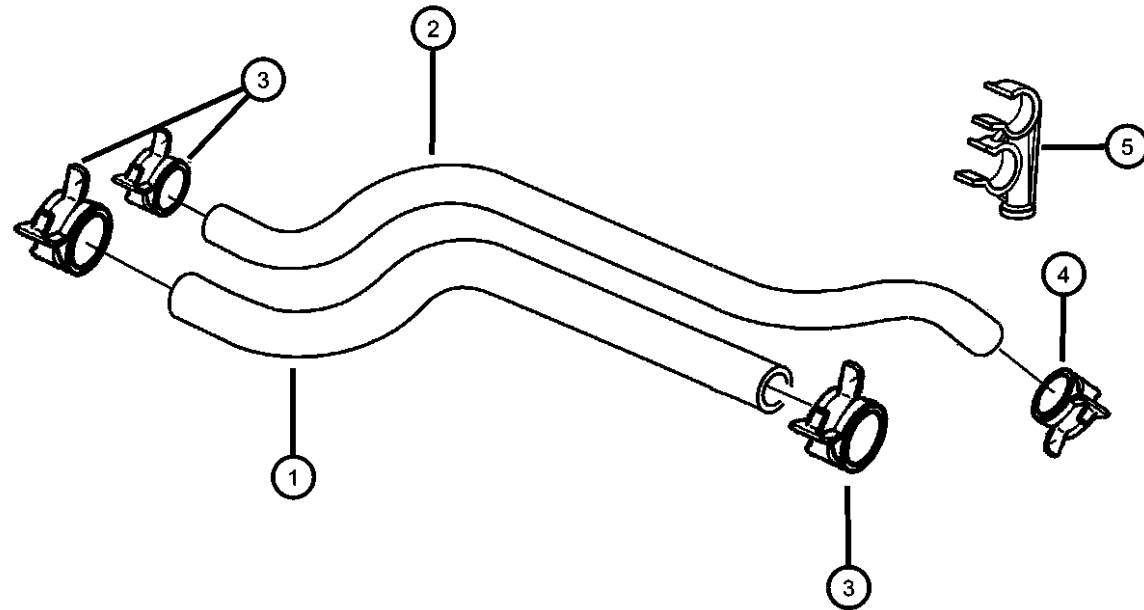
AR = use ase required - = Non illustrated part

2000 TJ

Hoses, Heater 2.5L Engine
Figure 24-205

ITEM	PART NUMBER	QTY	LINE	SERIES	BODY	ENGINE	TRANS	TRIM	DESCRIPTION
------	-------------	-----	------	--------	------	--------	-------	------	-------------

Note: Sales Code EP0 = 2.5L Gas Engine
Note: Sales Code ER0 = 4.0L Gas Engine



1									HOSE, Heater Supply
	55036348	1	J			EP0			
	55036379	1	U			EP0			
2									HOSE, Heater Return Return
	55036344	1	J			EP0			
	55036481	1	U			EP0			
3									CLAMP, Heater Hose
	06502017	2	J			ER0			
		2	U			EP0			
4									CLAMP, Hose, M28.9 x 1.60
	06502018	2	U			EP0			
		2	J			EP0			
5									BRACKET, Hose
	55035933	2	U			EP0, ER0			
		1	J			EP0, ER0			

WRANGLER (TJ)

SERIES LINE
H = Sport J = Wrangler 4WD
L = SE U = Wrangler 4WD (RHD)
P = Sahara

BODY
77 = 93.4 WB

ENGINE
EPE = ENGINE - 2.5L POWER
TECH I-4 Cyl.
ERH = ENGINE - 4.0L
POWER TECH I-6

TRANSMISSION
DDD = TRANSMISSION - 5-SPEED
HD MANUAL
DDQ = TRANSMISSION - 5-SPEED
MANUAL
DGD = TRANSMISSION - 3-SPD.
AUTOMATIC,30RH
DGG = TRANSMISSION - 3-SPD.
AUTOMATIC,32RH
DG0 = All Automatic Transmissions
DBB = All Manual Transmissions
DD0 = All 5 Speed Manual
Transmissions

97J24 205

AR = use ase required - = Non illustrated part

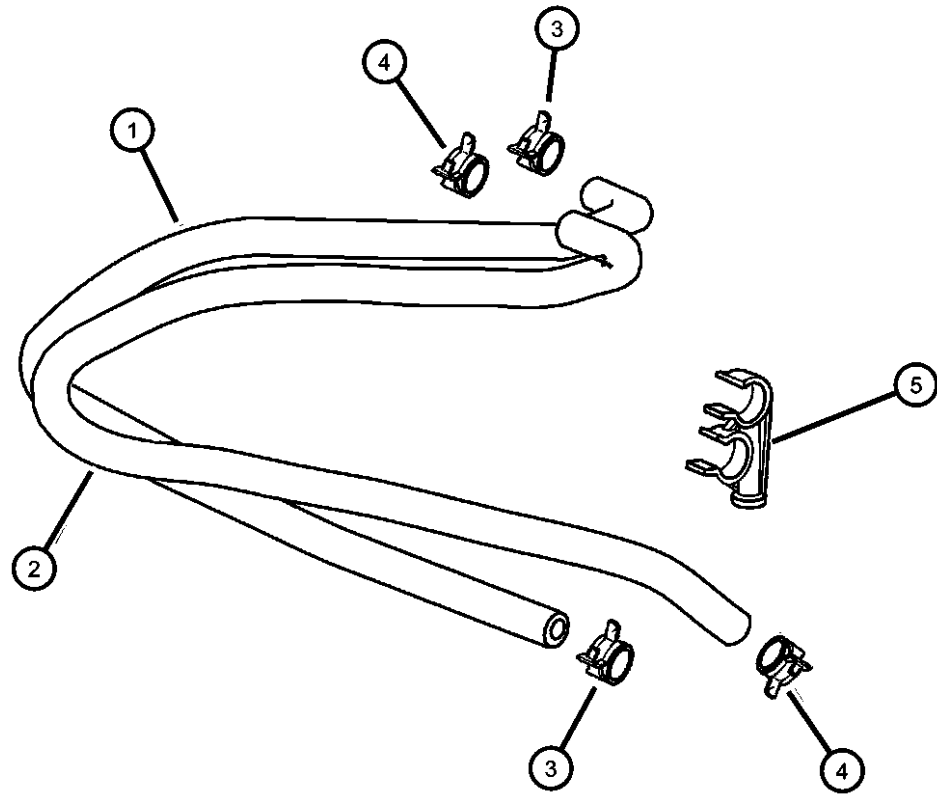
2000 TJ

Hoses, Heater 2.5L Engine, RHD
Figure 24-210

ITEM	PART NUMBER	QTY	LINE	SERIES	BODY	ENGINE	TRANS	TRIM	DESCRIPTION
------	-------------	-----	------	--------	------	--------	-------	------	-------------

Note: Sales Code EP0 = 2.5L Gas Engine
Note: Sales Code ER0 = 4.0L Gas Engine

1	55036481	1	U			EP0			HOSE, Heater Return, Return
2	55036379	1	U			EP0			HOSE, Heater Supply, Supply
3									CLAMP, Heater Hose
	06502017	2	U			EP0			
	06504832AA	1	J			EP0			
4	06502018	2	J			EP0			CLAMP, Hose, M28.9 x 1.60
5	55035933	2	U			EP0, ER0			BRACKET, Hose



WRANGLER (TJ)

SERIES LINE
H = Sport J = Wrangler 4WD
L = SE U = Wrangler 4WD (RHD)
P = Sahara

BODY
77 = 93.4 WB

ENGINE TRANSMISSION
EPE = ENGINE - 2.5L POWER TECH I-4 Cyl. DDD = TRANSMISSION - 5-SPEED HD MANUAL
ERH = ENGINE - 4.0L POWER TECH I-6 DDQ = TRANSMISSION - 5-SPEED MANUAL
DGD = TRANSMISSION - 3-SPD. AUTOMATIC,30RH
DGG = TRANSMISSION - 3-SPD. AUTOMATIC,32RH
DG0 = All Automatic Transmissions
DBB = All Manual Transmissions
DD0 = All 5 Speed Manual Transmissions

AR = use ase required - = Non illustrated part

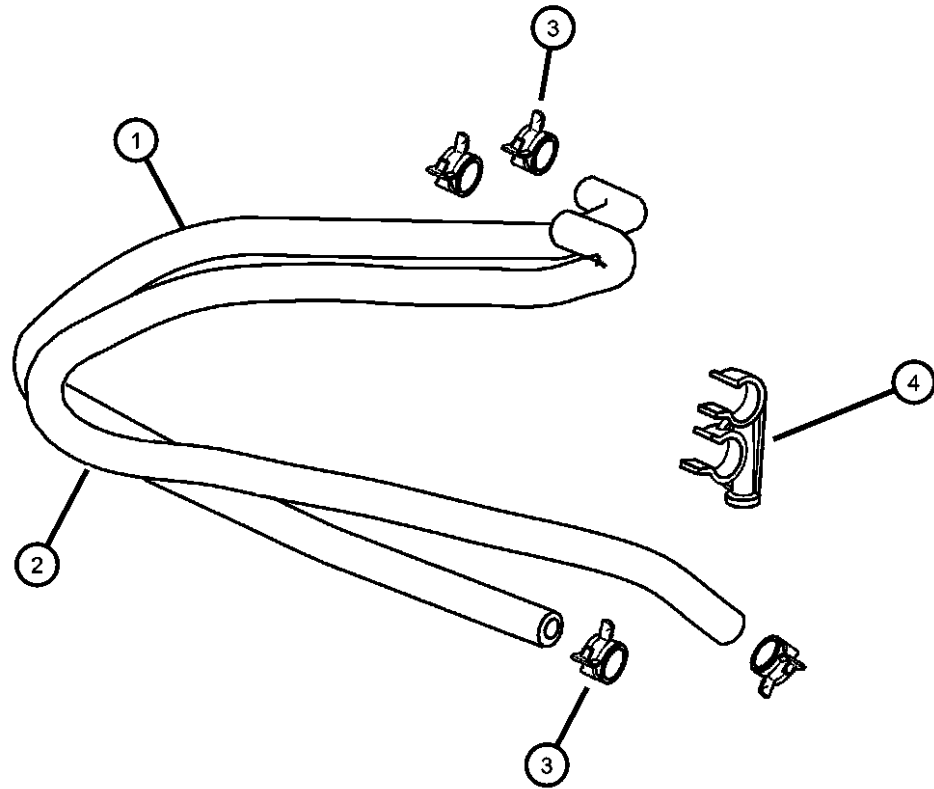
2000 TJ

Hoses, Heater 4.0L Engine, LHD
Figure 24-215

ITEM	PART NUMBER	QTY	LINE	SERIES	BODY	ENGINE	TRANS	TRIM	DESCRIPTION
------	-------------	-----	------	--------	------	--------	-------	------	-------------

Note: Sales Code ER0 = 4.0L Gas Engine

1	55036384AB	1	J			ER0			HOSE, Heater Return, Return
2	55036976	1	J			ER0			HOSE, Heater
3	06502017	2	J			ER0			CLAMP, Heater Hose
4	55035933	1	J			EP0, ER0			BRACKET, Hose



WRANGLER (TJ)

SERIES LINE
H = Sport J = Wrangler 4WD
L = SE U = Wrangler 4WD (RHD)
P = Sahara

BODY
77 = 93.4 WB

ENGINE
EPE = ENGINE - 2.5L POWER
TECH I-4 Cyl.
ERH = ENGINE - 4.0L
POWER TECH I-6

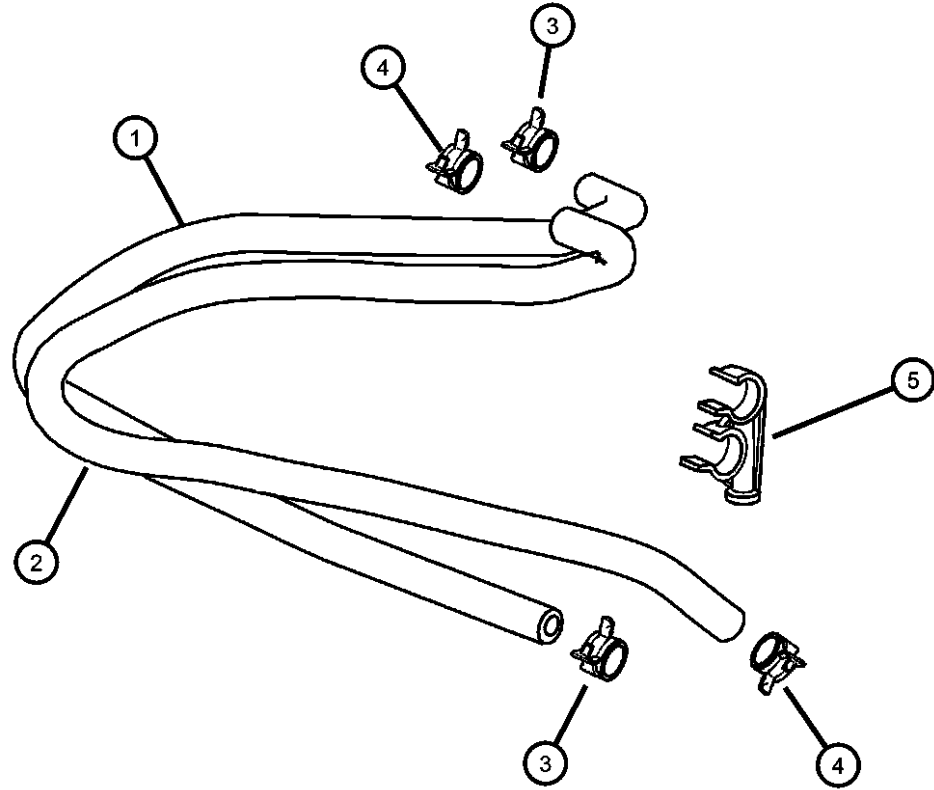
TRANSMISSION
DDD = TRANSMISSION - 5-SPEED
HD MANUAL
DDQ = TRANSMISSION - 5-SPEED
MANUAL
DGD = TRANSMISSION - 3-SPD.
AUTOMATIC,30RH
DGG = TRANSMISSION - 3-SPD.
AUTOMATIC,32RH
DG0 = All Automatic Transmissions
DBB = All Manual Transmissions
DD0 = All 5 Speed Manual
Transmissions

AR = use ase required - = Non illustrated part

2000 TJ

Hoses, Heater 4.0L Engine, RHD
Figure 24-220

ITEM	PART NUMBER	QTY	LINE	SERIES	BODY	ENGINE	TRANS	TRIM	DESCRIPTION
Note: Sales Code ER0 = 4.0L Gas Engine									
Note: Sales Code EP0 = 2.5L Gas Engine									
1	55036382	1	U			ER0			HOSE, Heater Return, Return
2	55036380	1	U			ER0			HOSE, Heater Supply, Supply
3	06502017	2	U			ER0			CLAMP, Heater Hose
4	06502018	2	J			EP0			CLAMP, Hose, M28.9 x 1.60
5	55035933	2	U			EP0, ER0			BRACKET, Hose



WRANGLER (TJ)

SERIES LINE
H = Sport J = Wrangler 4WD
L = SE U = Wrangler 4WD (RHD)
P = Sahara

BODY
77 = 93.4 WB

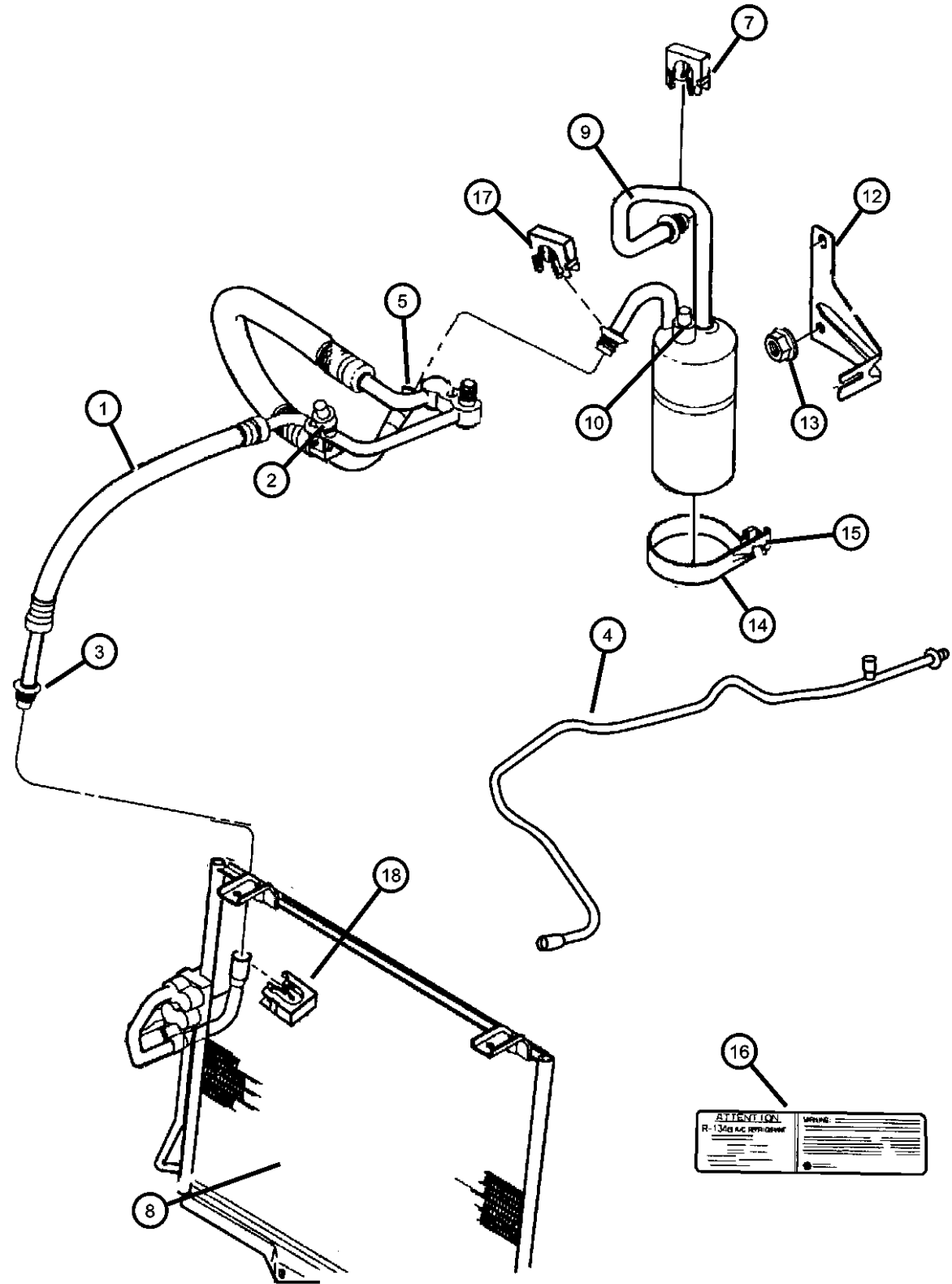
ENGINE
EPE = ENGINE - 2.5L POWER TECH I-4 Cyl.
ERH = ENGINE - 4.0L POWER TECH I-6

TRANSMISSION
DDD = TRANSMISSION - 5-SPEED HD MANUAL
DDQ = TRANSMISSION - 5-SPEED MANUAL
DGD = TRANSMISSION - 3-SPD. AUTOMATIC,30RH
DGG = TRANSMISSION - 3-SPD. AUTOMATIC,32RH
DG0 = All Automatic Transmissions
DBB = All Manual Transmissions
DD0 = All 5 Speed Manual Transmissions

AR = use ase required - = Non illustrated part

2000 TJ

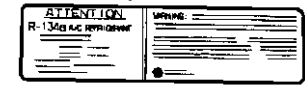
Plumbing, Hevac 2.5L Engine
Figure 24-225



ITEM	PART NUMBER	QTY	LINE	SERIES	BODY	ENGINE	TRANS	TRIM	DESCRIPTION
------	-------------	-----	------	--------	------	--------	-------	------	-------------

Note: Sales Code EP0 = 2.5L Gas Engine
Note: Sales Code ER0 = 4.0L Gas Engine

1	55037503AA	1				EP0			LINE, A/C Discharge
2	04897617AA	1				EP0			SWITCH, A/C High Pressure Cut Off
3	04740401	2	J			EP0			O RING, A/C Suction Line
4	55037505AB	1	J			EP0, ER0			LINE, A/C Liquid
5	04741705	2	J			EP0, ER0			O RING, A/C Liquid Line
-6	04723029	1				EP0			VALVE, A/C Discharge Line Check
7	55036022	2							CLIP, A/C Liquid Line
8	55037512AA	1	J			EP0, ER0			CONDENSER, Air Conditioning
9	55037441AA	1	J			EP0			ACCUMULATOR, Suction Line
10	04897614AA	1	J			EP0			SWITCH, A/C Cycling
-11	04723029	1				EP0			VALVE, A/C Discharge Line Check
12	55036303	1	J			EP0, ER0			BRACKET, Accumulator
13	J4003120	4							WELL NUT, .25-20x.63
14	55036206AB	1							BAND, Accumulator Retaining, Accumulator Support
15	55036206AB	1							SCREW, (NOT SERVICED)
16	55037555AB	1							LABEL, Refrigerant
17									CLIP, A/C Quick Disconnect
	04596152	1	J						Quick (Suction) Connect
	04596153	1							CLIP, A/C Quick Disconnect, (Discharge) Connect
18	04596153	1							

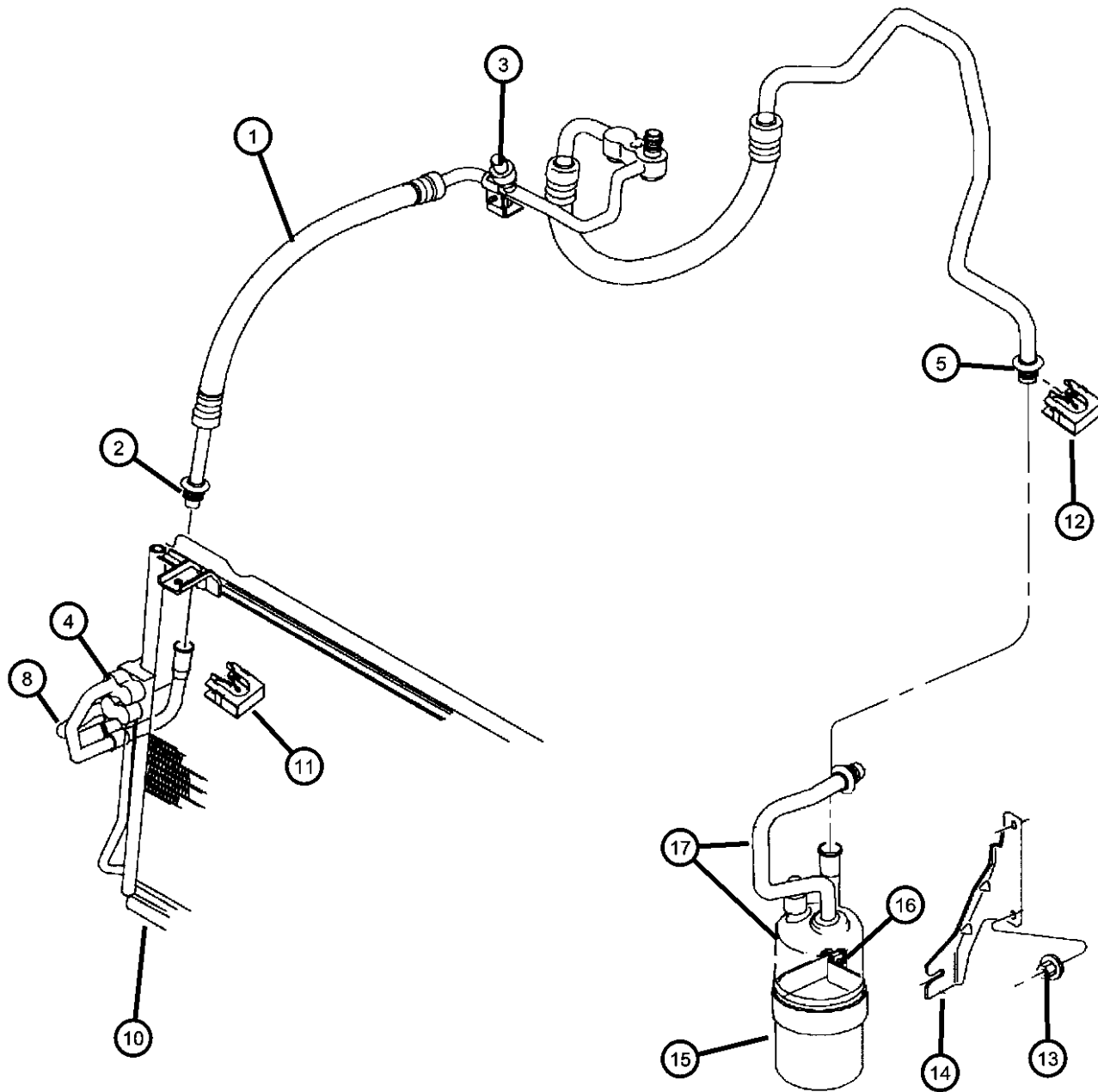


WRANGLER (TJ)

SERIES	LINE	BODY	ENGINE	TRANSMISSION
H = Sport	J = Wrangler 4WD	77 = 93.4 WB	EPE = ENGINE - 2.5L POWER TECH I-4 Cyl.	DDD = TRANSMISSION - 5-SPEED HD MANUAL
L = SE	U = Wrangler 4WD (RHD)		ERH = ENGINE - 4.0L POWER TECH I-6	DDQ = TRANSMISSION - 5-SPEED MANUAL
P = Sahara				DGD = TRANSMISSION - 3-SPD. AUTOMATIC, 30RH
				DGG = TRANSMISSION - 3-SPD. AUTOMATIC, 32RH
				DG0 = All Automatic Transmissions
				DBB = All Manual Transmissions
				DD0 = All 5 Speed Manual Transmissions

AR = use ase required - = Non illustrated part

Plumbing, Hevac 2.5L Engine, RHD
Figure 24-230



ITEM	PART NUMBER	QTY	LINE	SERIES	BODY	ENGINE	TRANS	TRIM	DESCRIPTION
------	-------------	-----	------	--------	------	--------	-------	------	-------------

Note: Sales Code EP0 = 2.5L Gas Engine
Note: Sales Code ER0 = 4.0L Gas Engine

1	55037503AA	1				EP0			LINE, A/C Discharge
2	04740401	2	U			EP0, ER0			O RING, A/C Suction Line
3	04897617AA	1				EP0			SWITCH, A/C High Pressure Cut Off
4	55036292	1	U			EP0, ER0			LINE, A/C Liquid
5	04741705	2	J			EP0, ER0			O RING, A/C Liquid Line
-6	55036782AB	2	U			EP0, ER0			RETAINER, A/C Supply Line, Supply Line
-7	55036022	2							CLIP, A/C Liquid Line
8	55037510AA	1	U			EP0, ER0			TUBE, A/C Liquid Line
-9	04723029	1	U			EP0			VALVE, A/C Discharge Line Check
10	55037513AA	1	U			EP0, ER0			CONDENSER, Air Conditioning
11	04596152	2	U						CLIP, A/C Quick Disconnect
12	04596153	1							CLIP, A/C Quick Disconnect
13	04596153	1							NUT, (NOT SERVICED)
14	55036304	1	U						BRACKET, Accumulator
15	55036206AB	1							BAND, Accumulator Retaining, Accumulator Support
16	55036206AB	1							SCREW, (NOT SERVICED)
17	55037442AA	1	U			EP0, ER0			ACCUMULATOR, Suction Line

WRANGLER (TJ)

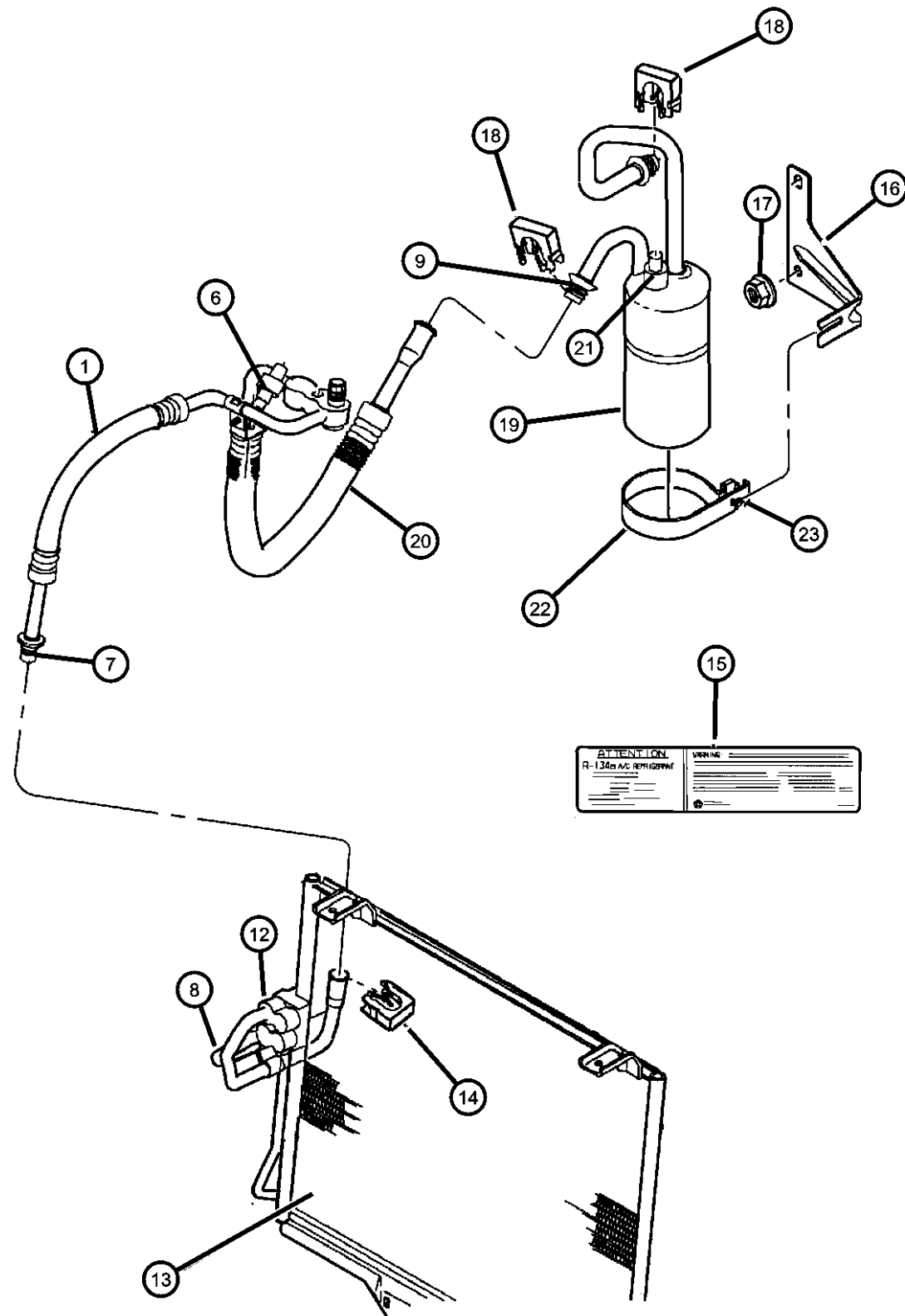
SERIES	LINE	BODY	ENGINE	TRANSMISSION
H = Sport	J = Wrangler 4WD	77 = 93.4 WB	EPE = ENGINE - 2.5L POWER TECH I-4 Cyl.	DDD = TRANSMISSION - 5-SPEED HD MANUAL
L = SE	U = Wrangler 4WD (RHD)		ERH = ENGINE - 4.0L POWER TECH I-6	DDQ = TRANSMISSION - 5-SPEED MANUAL
P = Sahara				DGD = TRANSMISSION - 3-SPD. AUTOMATIC,30RH
				DGG = TRANSMISSION - 3-SPD. AUTOMATIC,32RH
				DG0 = All Automatic Transmissions
				DBB = All Manual Transmissions
				DD0 = All 5 Speed Manual Transmissions

AR = use ase required - = Non illustrated part

Plumbing, Hevac 4.0L Engine
Figure 24-235

ITEM	PART NUMBER	QTY	LINE	SERIES	BODY	ENGINE	TRANS	TRIM	DESCRIPTION
------	-------------	-----	------	--------	------	--------	-------	------	-------------

Note: Sales Code ER0 = 4.0L Gas Engine
Note: Sales Code EP0 = 2.5L Gas Engine



1	55037506AA	1				ER0			LINE, A/C Discharge, Compressor to Condenser
-2	04723029	2				ER0			VALVE, A/C Discharge Line Check
-3	05264642	1				ER0			CAP, A/C Check Valve
-4	04796666	2				ER0			O RING, A/C Discharge Line
-5	06036153AA	1				ER0			NUT, Hex, .437-14, A/C Line to Engine Block
6	04897617AA	1				ER0			SWITCH, A/C High Pressure Cut Off
7									O RING, A/C Suction Line
	04740401	2	J			ER0			To Compressor
	04796667	1	J			ER0			
8	55037505AA	1	J			EP0, ER0			LINE, A/C Liquid
9	04741705	2	J			EP0, ER0			O RING, A/C Liquid Line
-10	04723029	2				ER0			VALVE, A/C Discharge Line Check
-11									CAP, A/C Check Valve
	04882335	1	J			EP0, ER0			
		1	U			EP0, ER0			
12	55036022	2							CLIP, A/C Liquid Line
13	55037512AA	1	J			EP0, ER0			CONDENSER, Air Conditioning
14	04596152	1	J						CLIP, A/C Quick Disconnect
15	55037555AB	1							LABEL, Refrigerant
16	55036303	1	J			EP0, ER0			BRACKET, Accumulator
17	55036303	1							NUT, (NOT SERVICED)
18	04596152	1	J						CLIP, A/C Quick Disconnect
19	55037508AA	1	J			ER0			ACCUMULATOR, Suction Line
20	55037517AB	1	J			ER0			LINE, A/C Suction, Compressor to Accumulator
21	04897614AA	1	J			ER0			SWITCH, A/C Cycling

WRANGLER (TJ)

SERIES	LINE
H = Sport	J = Wrangler 4WD
L = SE	U = Wrangler 4WD (RHD)
P = Sahara	

BODY
77 = 93.4 WB

ENGINE
EPE = ENGINE - 2.5L POWER TECH I-4 Cyl.
ERH = ENGINE - 4.0L POWER TECH I-6

TRANSMISSION
DDD = TRANSMISSION - 5-SPEED HD MANUAL
DDQ = TRANSMISSION - 5-SPEED MANUAL
DGD = TRANSMISSION - 3-SPD. AUTOMATIC,30RH
DGG = TRANSMISSION - 3-SPD. AUTOMATIC,32RH
DG0 = All Automatic Transmissions
DBB = All Manual Transmissions
DD0 = All 5 Speed Manual Transmissions

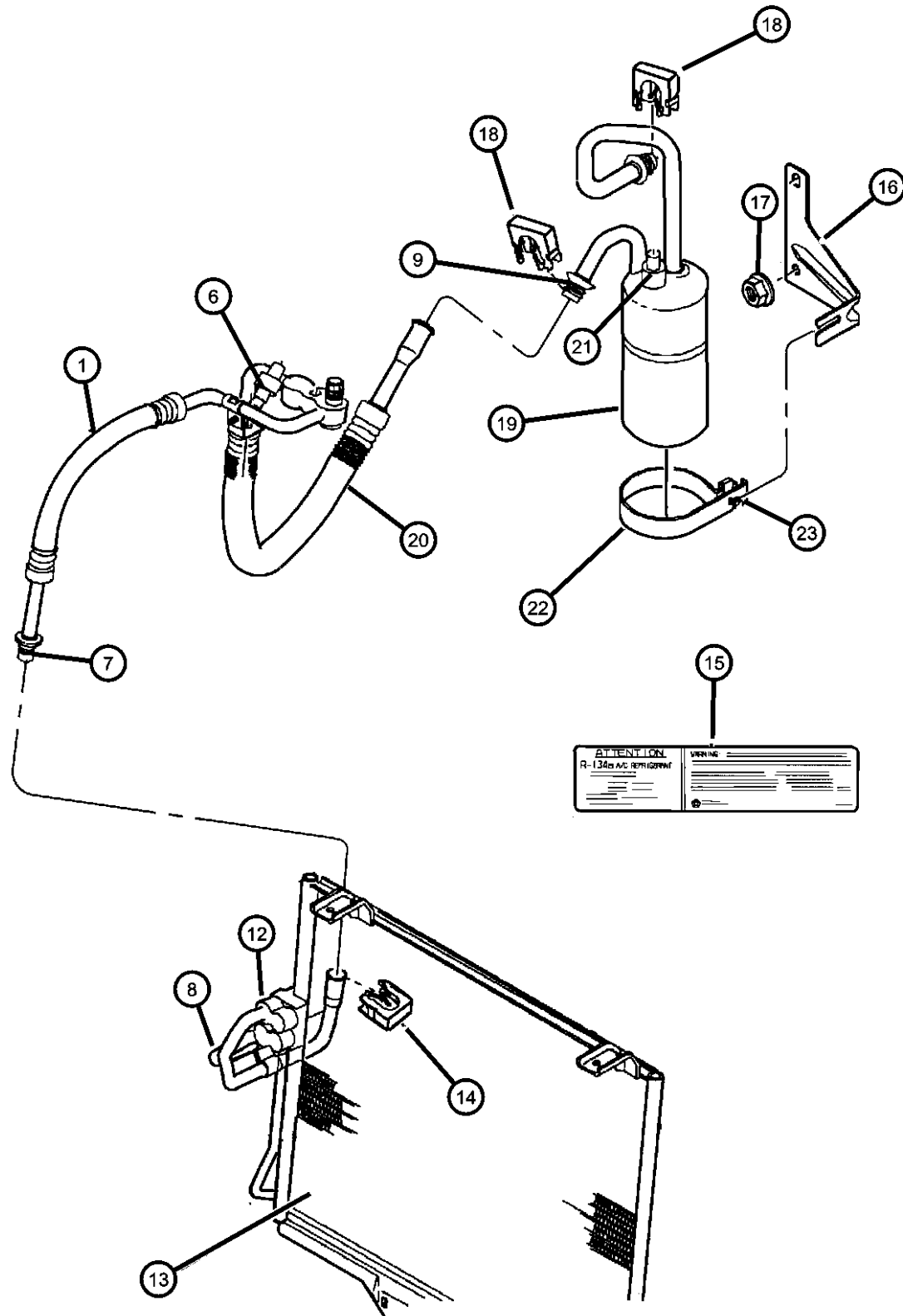
AR = use ase required - = Non illustrated part

2000 TJ

Plumbing, Hevac 4.0L Engine
Figure 24-235

ITEM	PART NUMBER	QTY	LINE	SERIES	BODY	ENGINE	TRANS	TRIM	DESCRIPTION
------	-------------	-----	------	--------	------	--------	-------	------	-------------

22	55036206AB	1							BAND, Accumulator Retaining, Accumulator Support SCREW, (NOT SERVICED)
23	55036206AB	1							



WRANGLER (TJ)

SERIES	LINE
H = Sport	J = Wrangler 4WD
L = SE	U = Wrangler 4WD (RHD)
P = Sahara	

BODY
77 = 93.4 WB

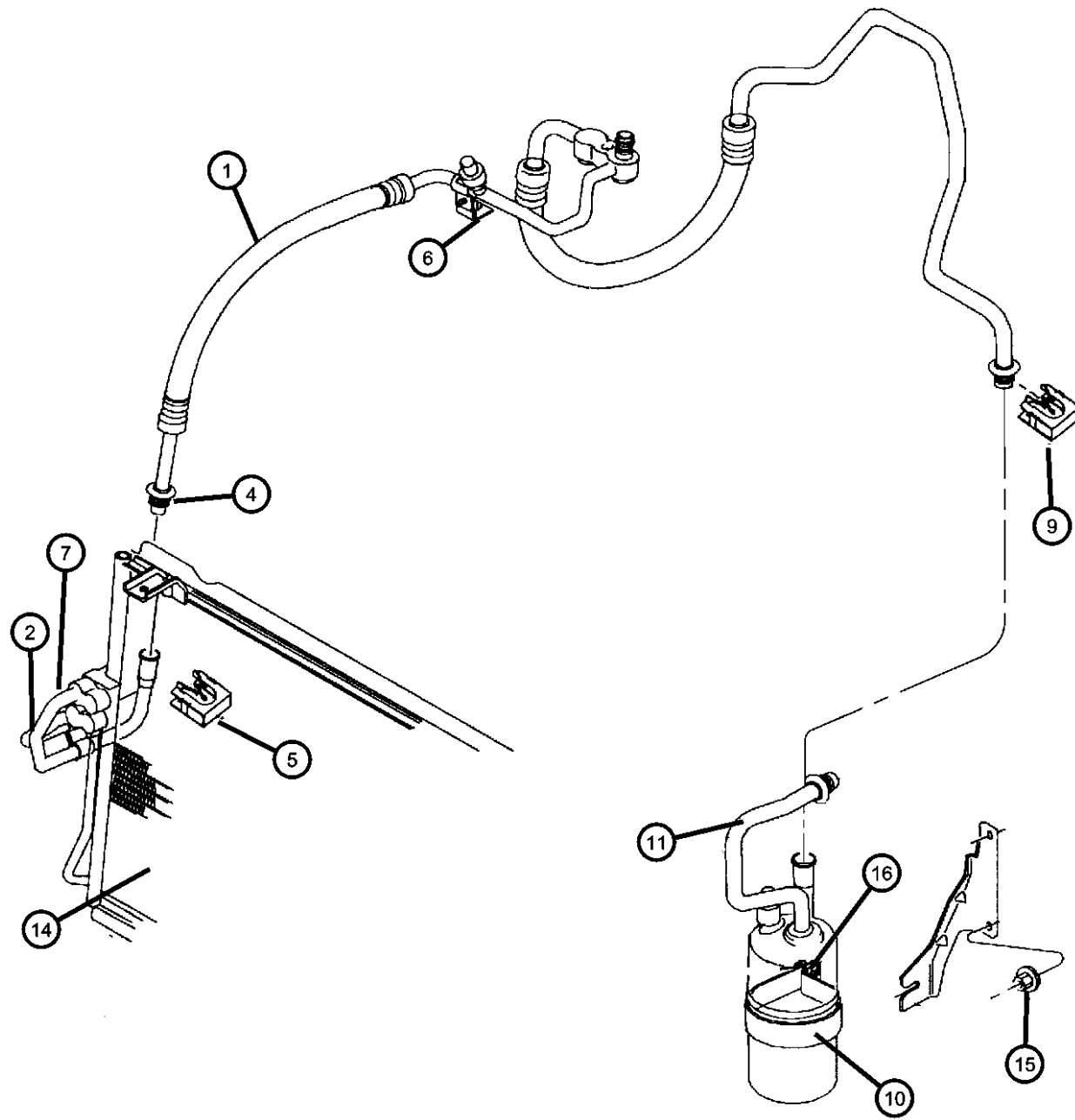
ENGINE
EPE = ENGINE - 2.5L POWER TECH I-4 Cyl.
ERH = ENGINE - 4.0L POWER TECH I-6

TRANSMISSION
DDD = TRANSMISSION - 5-SPEED HD MANUAL
DDQ = TRANSMISSION - 5-SPEED MANUAL
DGD = TRANSMISSION - 3-SPD. AUTOMATIC,30RH
DGG = TRANSMISSION - 3-SPD. AUTOMATIC,32RH
DG0 = All Automatic Transmissions
DBB = All Manual Transmissions
DD0 = All 5 Speed Manual Transmissions

AR = use ase required - = Non illustrated part

2000 TJ

Pluming, Hevac 4.0L Engine, RHD
Figure 24-240



ITEM	PART NUMBER	QTY	LINE	SERIES	BODY	ENGINE	TRANS	TRIM	DESCRIPTION
------	-------------	-----	------	--------	------	--------	-------	------	-------------

Note: Sales Code ER0 = 4.0L Gas Engine
Note: Sales Code EP0 = 2.5L Gas Engine

1	55037506AA	1				ER0			LINE, A/C Discharge
2	55036292	1	U			EP0, ER0			LINE, A/C Liquid
-3	06036153AA	1				ER0			NUT, Hex, .437-14, A/C Line to Engine Block
4	04741705	2	J			EP0, ER0			O RING, A/C Liquid Line
5	55036022	2							CLIP, A/C Liquid Line
6	55036782AB	2	U			EP0, ER0			RETAINER, A/C Supply Line
7	55037510AA	1	U			EP0, ER0			TUBE, A/C Liquid Line
-8	04596152	2	U						CLIP, A/C Quick Disconnect
9	55036304	1	U						BRACKET, Accumulator
10	55036206AB	1							BAND, Accumulator Retaining, Support
11	55037442AA	1	U			EP0, ER0			ACCUMULATOR, Suction Line
-12	04723029	1	U			ER0			VALVE, A/C Discharge Line Check
-13	04596153	1							CLIP, A/C Quick Disconnect
14	55037513AA	1	U			EP0, ER0			CONDENSER, Air Conditioning
15	55037513AA	1							NUT, (NOT SERVICED)
16	55037513AA	1							SCREW, (NOT SERVICED)

WRANGLER (TJ)

SERIES LINE
H = Sport J = Wrangler 4WD
L = SE U = Wrangler 4WD (RHD)
P = Sahara

BODY
77 = 93.4 WB

ENGINE
EPE = ENGINE - 2.5L POWER
TECH I-4 Cyl.
ERH = ENGINE - 4.0L
POWER TECH I-6

TRANSMISSION
DDD = TRANSMISSION - 5-SPEED
HD MANUAL
DDQ = TRANSMISSION - 5-SPEED
MANUAL
DGD = TRANSMISSION - 3-SPD.
AUTOMATIC,30RH
DGG = TRANSMISSION - 3-SPD.
AUTOMATIC,32RH
DG0 = All Automatic Transmissions
DBB = All Manual Transmissions
DD0 = All 5 Speed Manual
Transmissions

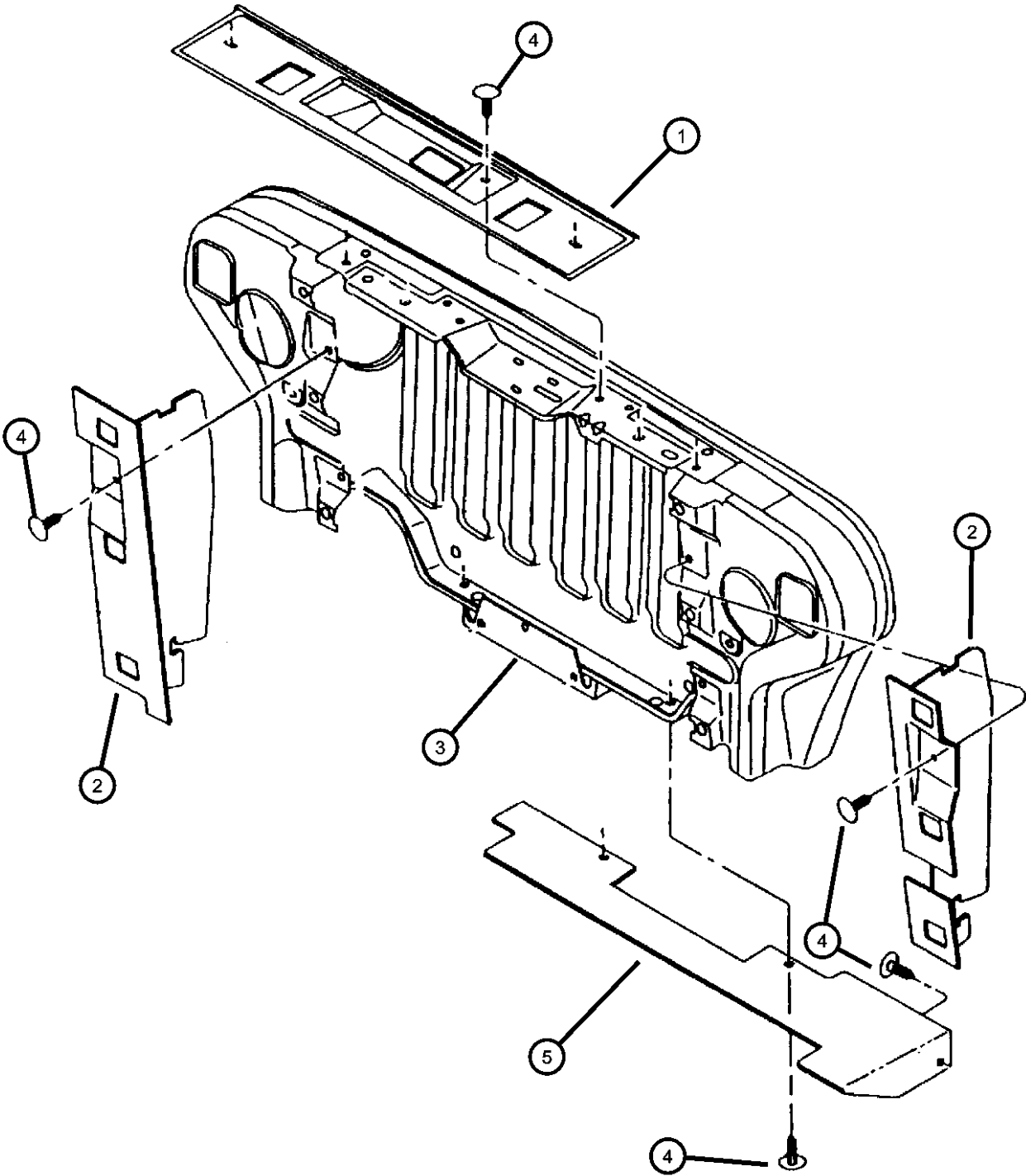
AR = use ase required - = Non illustrated part

2000 TJ

Seals, A/c Condenser

Figure 24-245

ITEM	PART NUMBER	QTY	LINE	SERIES	BODY	ENGINE	TRANS	TRIM	DESCRIPTION
1	55036369	1							SEAL, Condenser
2	55036866AC	1							SEAL, Condenser
3	55036867	1							SEAL, Condenser, Condenser to Grille
4	06030441	12							PIN, Retainer, Push
5	55036369	1							SEAL, Condenser, Lower



WRANGLER (TJ)

SERIES LINE
 H = Sport J = Wrangler 4WD
 L = SE U = Wrangler 4WD (RHD)
 P = Sahara

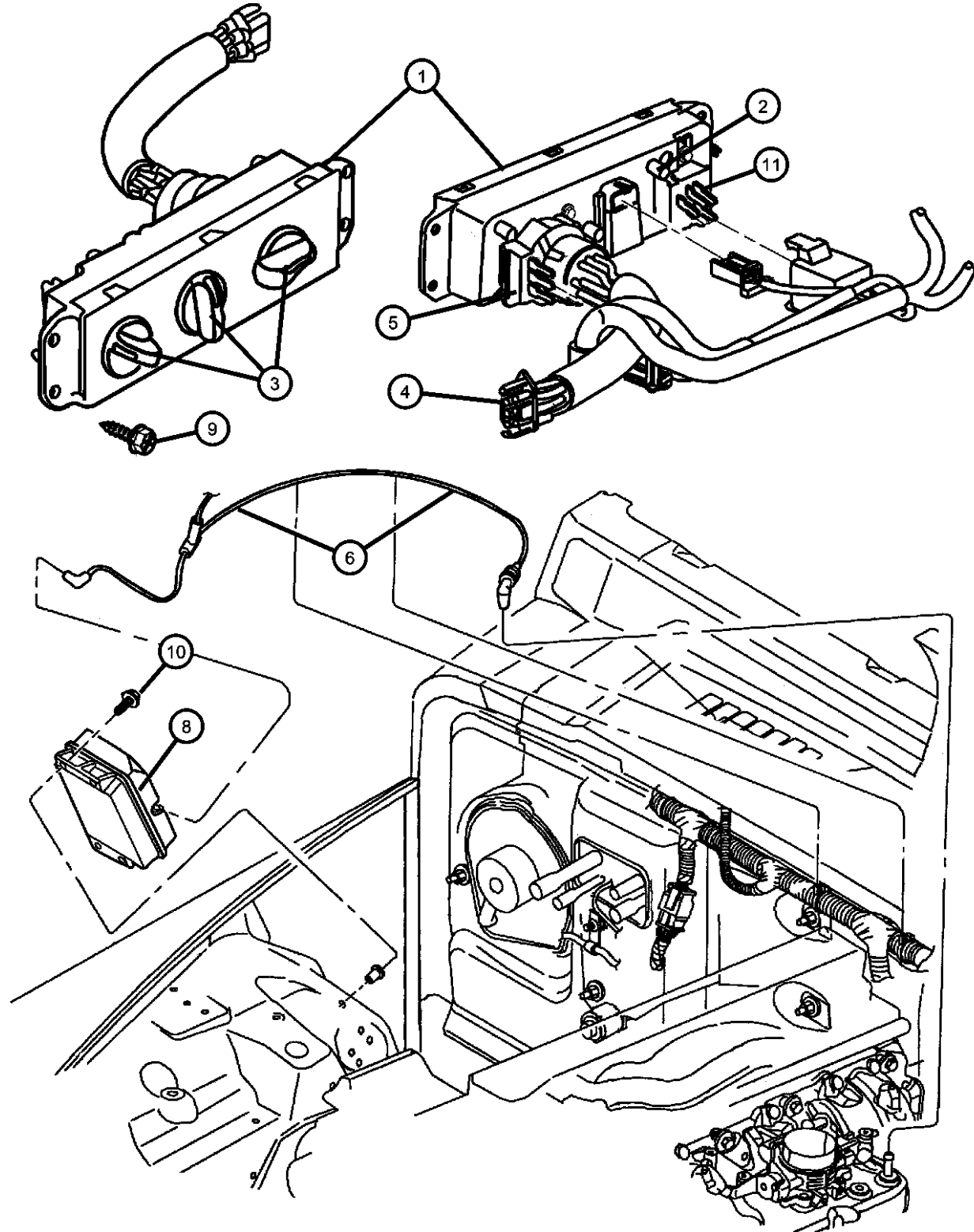
BODY
 77 = 93.4 WB

ENGINE
 EPE = ENGINE - 2.5L POWER
 TECH I-4 Cyl.
 ERH = ENGINE - 4.0L
 POWER TECH I-6

TRANSMISSION
 DDD = TRANSMISSION - 5-SPEED
 HD MANUAL
 DDQ = TRANSMISSION - 5-SPEED
 MANUAL
 DGD = TRANSMISSION - 3-SPD.
 AUTOMATIC,30RH
 DGG = TRANSMISSION - 3-SPD.
 AUTOMATIC,32RH
 DG0 = All Automatic Transmissions
 DBB = All Manual Transmissions
 DD0 = All 5 Speed Manual
 Transmissions

AR = use ase required - = Non illustrated part

**Control, Heater And A/c
Figure 24-310**

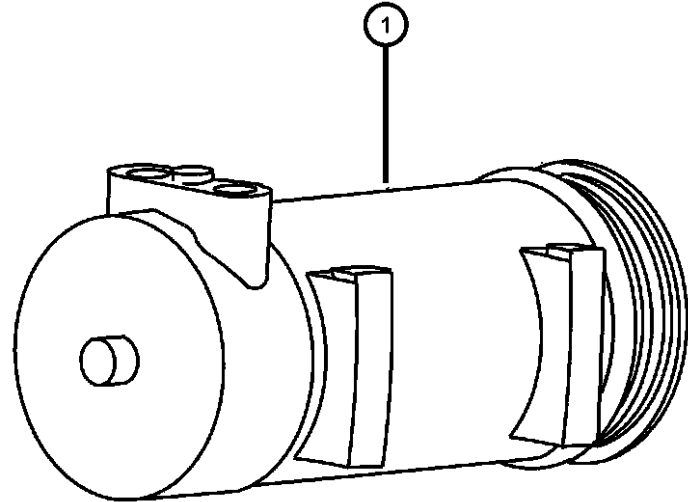


ITEM	PART NUMBER	QTY	LINE	SERIES	BODY	ENGINE	TRANS	TRIM	DESCRIPTION
Note: Sales Code EP0 = 2.5L Gas Engine Note: Sales Code ER0 = 4.0L Gas Engine									
1	55037472AB	1							CONTROL UNIT, Air Condiitiing without A/C
	55037473AB	1							with A/C
2	05013829AA	1							BULB, Heater and A/C Control
3	05011218AB	3							KNOB, A/C And Heater Control - Rotary
4	05013830AA	1							HARNESS, A/C And Heater Vacuum without A/C
	05013831AA	1							with A/C
5	05013832AA	1							SWITCH, A/C and Heater Vacuum without A/C
	05013833AA	1							with A/C
6	55036353AC	1	U			EP0			HOSE AND VALVE, Vacuum
	55037393AC	1	J			EP0			
-7	55037314	1	J						CLIP, Vacuum Harness
8	55035614	1							RESERVOIR, Vacuum, Cruise Control
9	06034205	1							SCREW, Pan Head, .19-32x.625
10	06034949	4							SCREW, M4.2x1.69x19.05
11	05011214AA	1							SWITCH, Blower Control

WRANGLER (TJ)					
SERIES	LINE	BODY	ENGINE	TRANSMISSION	
H = Sport	J = Wrangler 4WD	77 = 93.4 WB	EPE = ENGINE - 2.5L POWER TECH I-4 Cyl.	DDD = TRANSMISSION - 5-SPEED HD MANUAL	
L = SE	U = Wrangler 4WD (RHD)		ERH = ENGINE - 4.0L POWER TECH I-6	DDQ = TRANSMISSION - 5-SPEED MANUAL	
P = Sahara				DGD = TRANSMISSION - 3-SPD. AUTOMATIC,30RH	
				DGG = TRANSMISSION - 3-SPD. AUTOMATIC,32RH	
				DG0 = All Automatic Transmissions	
				DBB = All Manual Transmissions	
				DD0 = All 5 Speed Manual Transmissions	

AR = use ase required - = Non illustrated part

Compressor, A/c
Figure 24-410



ITEM	PART NUMBER	QTY	LINE	SERIES	BODY	ENGINE	TRANS	TRIM	DESCRIPTION
Note: Sales Code EP0 = 2.5L Gas Engine									
Note: Sales Code ER0 = 4.0L Gas Engine									
1									COMPRESSOR, Air Conditioning
	55037432AA	1				EP0			
	55116144AB	1				ER0			
-2									CLUTCH, A/C Compressor, Shim Package
	05014092AA	1				EP0			
	05014415AA	1				ER0			
-3									COIL, Air Conditioning Clutch
	05003681AA	1				EP0			
		1				ER0			
-4									PULLEY HUB KIT, A/C Compressor
	04720834	1				EP0			
		1				ER0			
-5									SNAP RING KIT, A/C Clutch
	05264454	1				EP0			
		1				ER0			
-6									MANIFOLD KIT, A/C Compressor
	05014093AA	1				EP0			
	05014413AA	1				ER0			
-7									SEAL, Manifold To Compressor
	04728854	1				EP0			
		1				ER0			
-8	82300102	1							LUBRICANT, Oil, 75w90

WRANGLER (TJ)

SERIES	LINE
H = Sport	J = Wrangler 4WD
L = SE	U = Wrangler 4WD (RHD)
P = Sahara	

BODY
77 = 93.4 WB

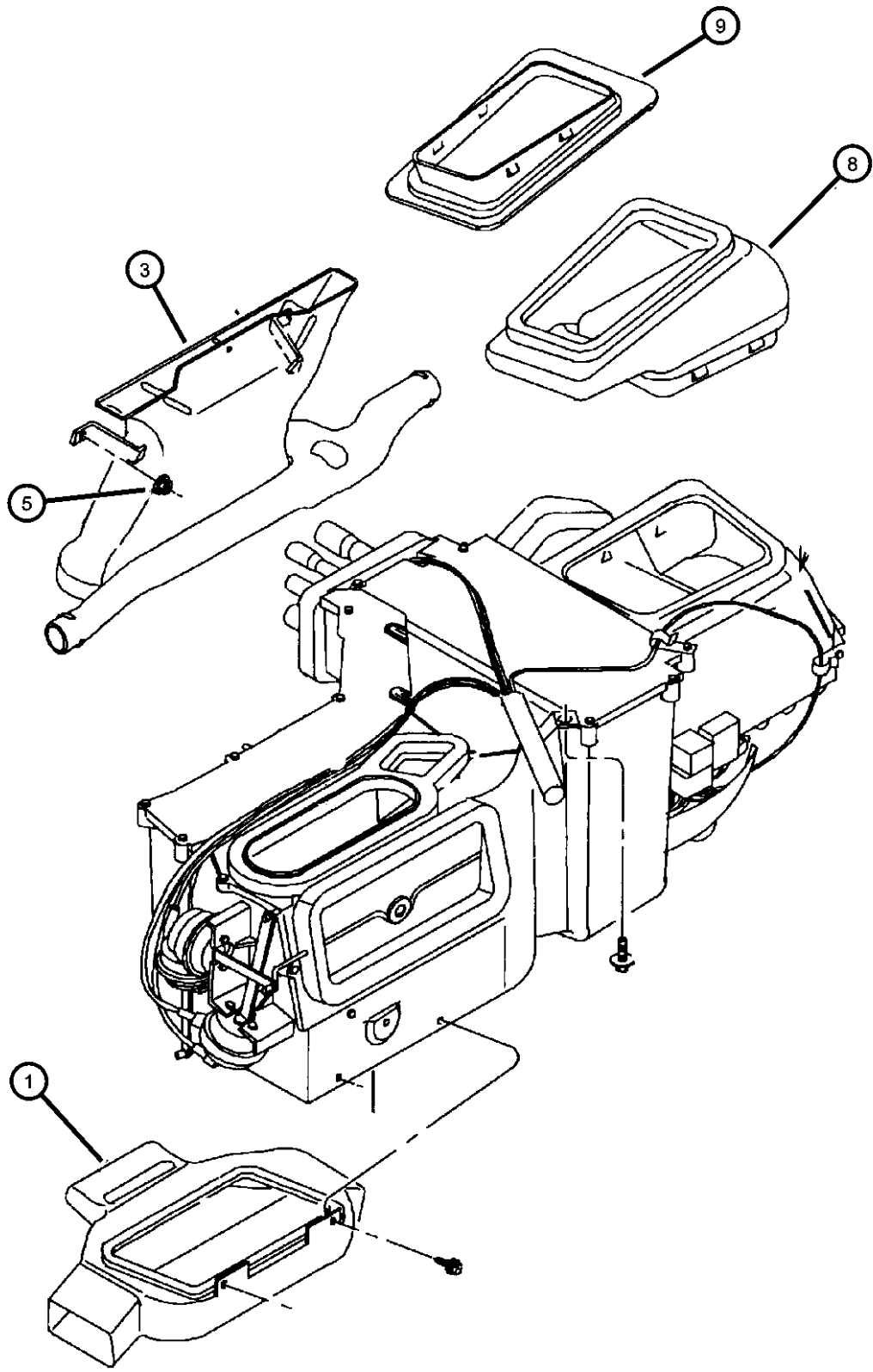
ENGINE
EPE = ENGINE - 2.5L POWER TECH I-4 Cyl.
ERH = ENGINE - 4.0L POWER TECH I-6

TRANSMISSION
DDD = TRANSMISSION - 5-SPEED HD MANUAL
DDQ = TRANSMISSION - 5-SPEED MANUAL
DGD = TRANSMISSION - 3-SPD. AUTOMATIC,30RH
DGG = TRANSMISSION - 3-SPD. AUTOMATIC,32RH
DG0 = All Automatic Transmissions
DBB = All Manual Transmissions
DD0 = All 5 Speed Manual Transmissions

AR = use ase required - = Non illustrated part

Ducts, Heater And A/c
Figure 24-610

ITEM	PART NUMBER	QTY	LINE	SERIES	BODY	ENGINE	TRANS	TRIM	DESCRIPTION
1	04874088	1	J						DUCT, Floor Distribution
	04874089	1	U						
-2	55115158	1	J						DUCT, A/C Outlet
	55115715	1	U						
3	55115161	1	J						DUCT, Defroster
-4	55036468	1	U						DUCT, Demister, RHD
5	06100839	2							NUT, Push, M5
-6	55115576	1	J						DUCT, Door Demister
	55115577	1	U						
-7	55036308	1	U						ADAPTER, Demister
	55036309	1	J						
8	55037540AA	1	J						DUCT, Fresh Air
	55037541AA	1	U						
9	55036474AC	1	J						COLLAR, Plenum
	55036497AC	1	U						



WRANGLER (TJ)

SERIES LINE
H = Sport J = Wrangler 4WD
L = SE U = Wrangler 4WD (RHD)
P = Sahara

BODY
77 = 93.4 WB

ENGINE
EPE = ENGINE - 2.5L POWER
TECH I-4 Cyl.
ERH = ENGINE - 4.0L
POWER TECH I-6

TRANSMISSION
DDD = TRANSMISSION - 5-SPEED
HD MANUAL
DDQ = TRANSMISSION - 5-SPEED
MANUAL
DGD = TRANSMISSION - 3-SPD.
AUTOMATIC,30RH
DGG = TRANSMISSION - 3-SPD.
AUTOMATIC,32RH
DG0 = All Automatic Transmissions
DBB = All Manual Transmissions
DD0 = All 5 Speed Manual
Transmissions

AR = use ase required - = Non illustrated part

2000 TJ

Group - 25

Emission Systems

Group - 25 Emission Systems

Illustration Title

Group-Fig. No.

Emission Labels

Emission Labels Fig. 25 - 110

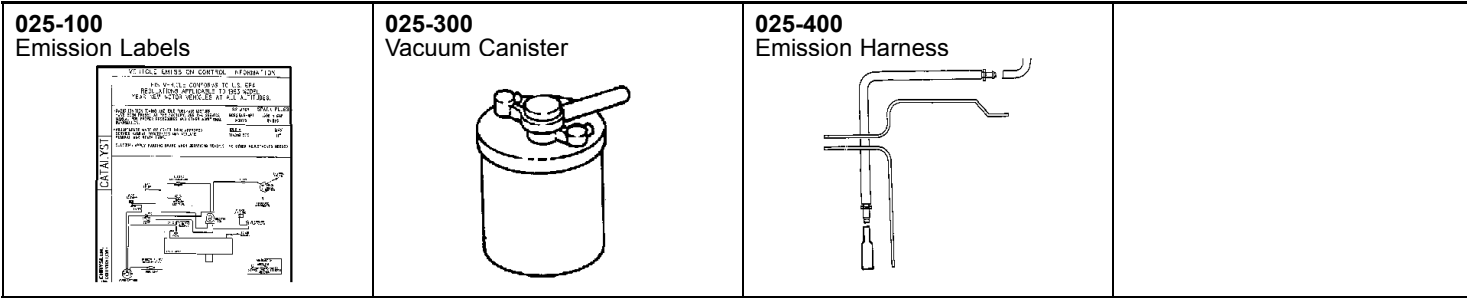
Vacuum Canister

Vacuum Canister Fig. 25 - 315

Emission Harness

Emission Control Vacuum Harness Fig. 25 - 410

Leak Detection Pump Fig. 25 - 420



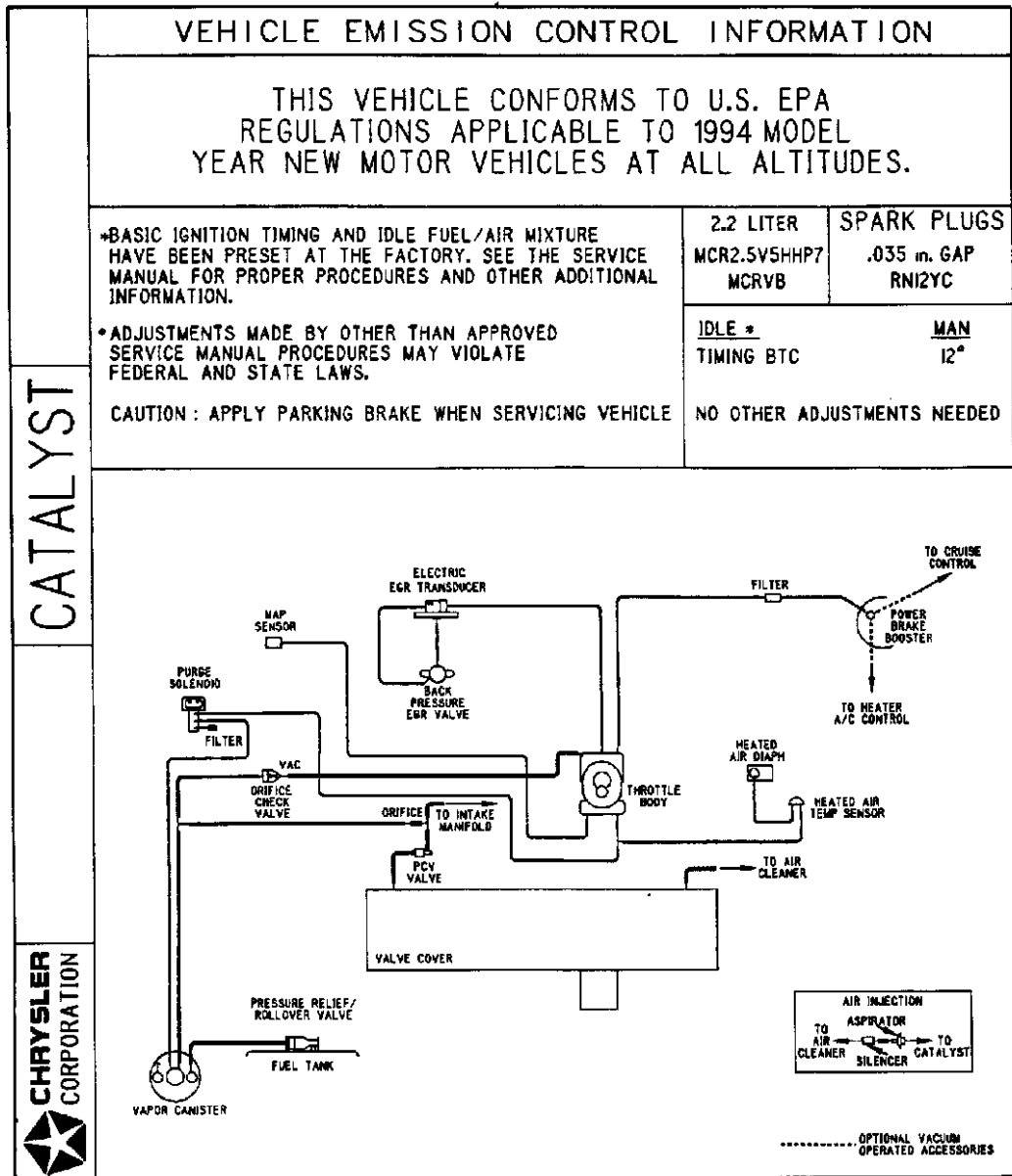
Emission Labels
Figure 25-110

ITEM	PART NUMBER	QTY	LINE	SERIES	BODY	ENGINE	TRANS	TRIM	DESCRIPTION
------	-------------	-----	------	--------	------	--------	-------	------	-------------

NOTE: EPE=2.5L Power Tech I-4, ERH= 4.0l Power Tech I-6.

1

									LABEL, Emission
	53032246AA	1				EPE			Federal
	53032247AA	1				EPE			Canada
	53032248AA	1				EPE			Europe II, Europe III
	53032250AA	1				EPE			California
		1				EPE			Northeastern States
	53032253AA	1				ERH			Federal
	53032254AA	1				ERH			Canada
	53032258AA	1				ERH			Europe II
	53032259AA	1				ERH			California
		1				ERH			Northeastern States
	53032261AA	1				ERH			Europe III



WRANGLER (TJ)

SERIES
H = Sport
L = SE
P = Sahara

LINE
J = Wrangler 4WD
U = Wrangler 4WD (RHD)

BODY
77 = 93.4 WB

ENGINE
EPE = ENGINE - 2.5L POWER TECH I-4 Cyl.
ERH = ENGINE - 4.0L POWER TECH I-6

TRANSMISSION
DDD = TRANSMISSION - 5-SPEED HD MANUAL
DDQ = TRANSMISSION - 5-SPEED MANUAL
DGD = TRANSMISSION - 3-SPD. AUTOMATIC,30RH
DGG = TRANSMISSION - 3-SPD. AUTOMATIC,32RH
DGO = All Automatic Transmissions
DBB = All Manual Transmissions
DD0 = All 5 Speed Manual Transmissions

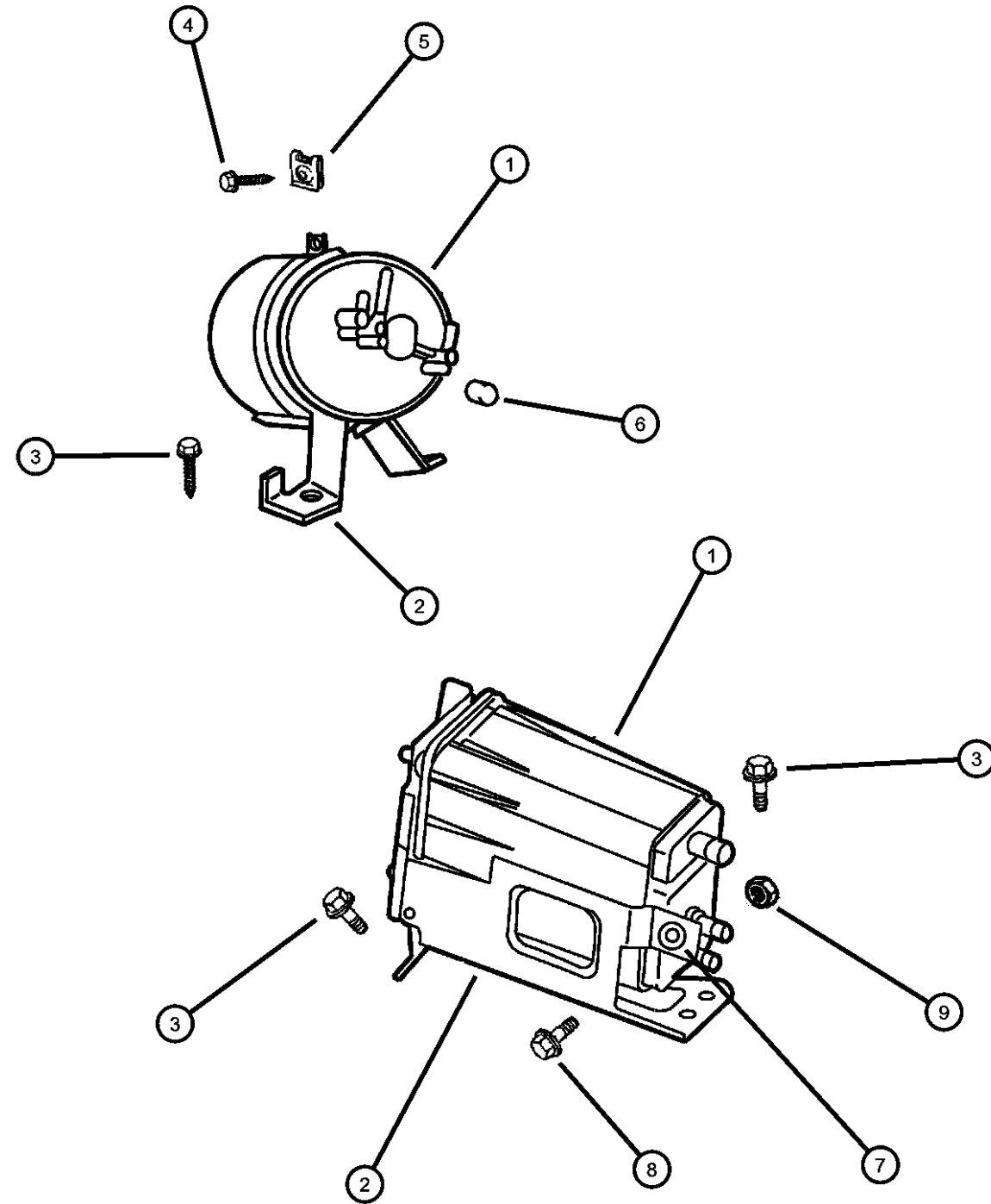
AR = use ase required - = Non illustrated part

2000 TJ

Vacuum Canister
Figure 25-315

ITEM	PART NUMBER	QTY	LINE	SERIES	BODY	ENGINE	TRANS	TRIM	DESCRIPTION
------	-------------	-----	------	--------	------	--------	-------	------	-------------

Note;EPO= All 2.5 Gas Engines, ERO= All 4.0 Gas Engines.



1	53030838	1	U			ER0			CANISTER, Vapor Europe III
		1	J			ER0			Europe III
		1				EPO, ER0			Federal, California
	53031904AB	1				EPO, ER0			Europe II, Leaded Gas
2	53013031AB	1	J			ER0			BRACKET, Vapor Canister Europe III
		1				EPO, ER0			Federal, California
	53013164AA	1	U			ER0			Europe III
	53030617AC	1				EPO, ER0			Europe II, Leaded Gas
3	53030617AC	1							SCREW, M6x1.00x20.00, (NOT SERVICED),
4	06035399	1				EPO, ER0			SCREW, .25-20
5	00153355	1				EPO, ER0			U-NUT, .25-20
6	04192074	1				EPO, ER0			CAP, Vapor Canister
7	04669177	2				EPO, ER0			GROMMET, Air Cleaner Bracket
8	06101452	1				EPO, ER0			SCREW AND WASHER, Hex Head, M8x1.25x20
9	06101467	1				EPO, ER0			NUT, Hex Flange, M8x1.25

WRANGLER (TJ)

SERIES LINE
H = Sport J = Wrangler 4WD
L = SE U = Wrangler 4WD (RHD)
P = Sahara

BODY
77 = 93.4 WB

ENGINE
EPE = ENGINE - 2.5L POWER
TECH I-4 Cyl.
ERH = ENGINE - 4.0L
POWER TECH I-6

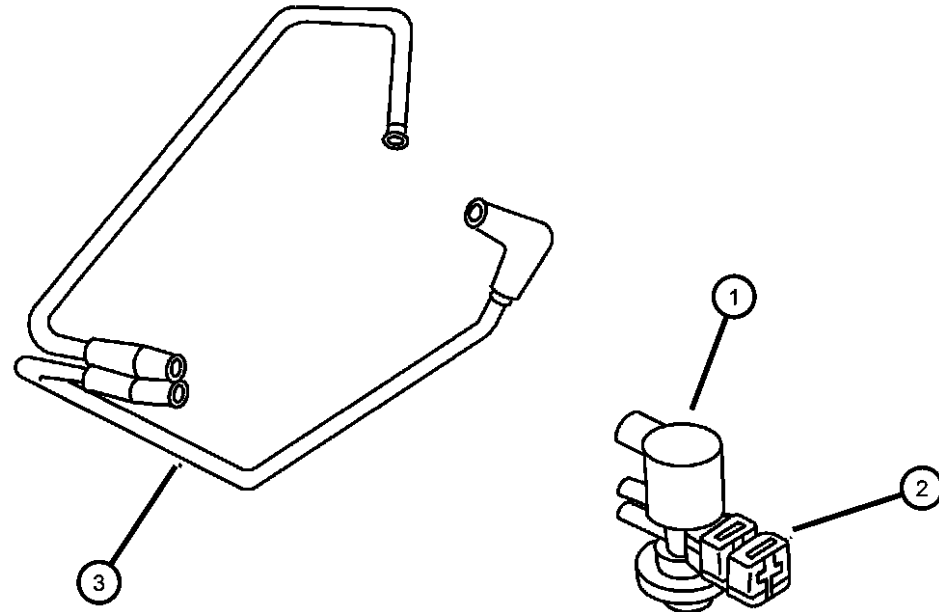
TRANSMISSION
DDD = TRANSMISSION - 5-SPEED
HD MANUAL
DDQ = TRANSMISSION - 5-SPEED
MANUAL
DGD = TRANSMISSION - 3-SPD.
AUTOMATIC,30RH
DGG = TRANSMISSION - 3-SPD.
AUTOMATIC,32RH
DGO = All Automatic Transmissions
DBB = All Manual Transmissions
DDO = All 5 Speed Manual
Transmissions

AR = use ase required - = Non illustrated part

2000 TJ

**Emission Control Vacuum Harness
Figure 25-410**

ITEM	PART NUMBER	QTY	LINE	SERIES	BODY	ENGINE	TRANS	TRIM	DESCRIPTION
NOTE: EP0=All 2.5L Gas Engines ER0=All 4.0L Engines									
1	04669475AB	1				EP0, ER0			SOLENOID, Duty Cycle Purge
2	04796704	1				EP0, ER0			BRACKET, Duty Cycle Purge Solenoid, w/Bushing
3									HARNESS, Vacuum Canister Purge
	04854133AB	1				EP0			Emissions - California
	04854134AC	1	J			ER0			Emissions - Federal
	04854160	1				EP0			Emissions- Europe III
	04854163AB	1				ER0			[Emissions- Europe II]
	53013326AA	1	U			ER0			Emissions - EuropeanIII
-4	04591090	1				EP0			PORT, Emission Testing



WRANGLER (TJ)

SERIES LINE
H = Sport J = Wrangler 4WD
L = SE U = Wrangler 4WD (RHD)
P = Sahara

BODY
77 = 93.4 WB

ENGINE
EPE = ENGINE - 2.5L POWER TECH I-4 Cyl.
ERH = ENGINE - 4.0L POWER TECH I-6

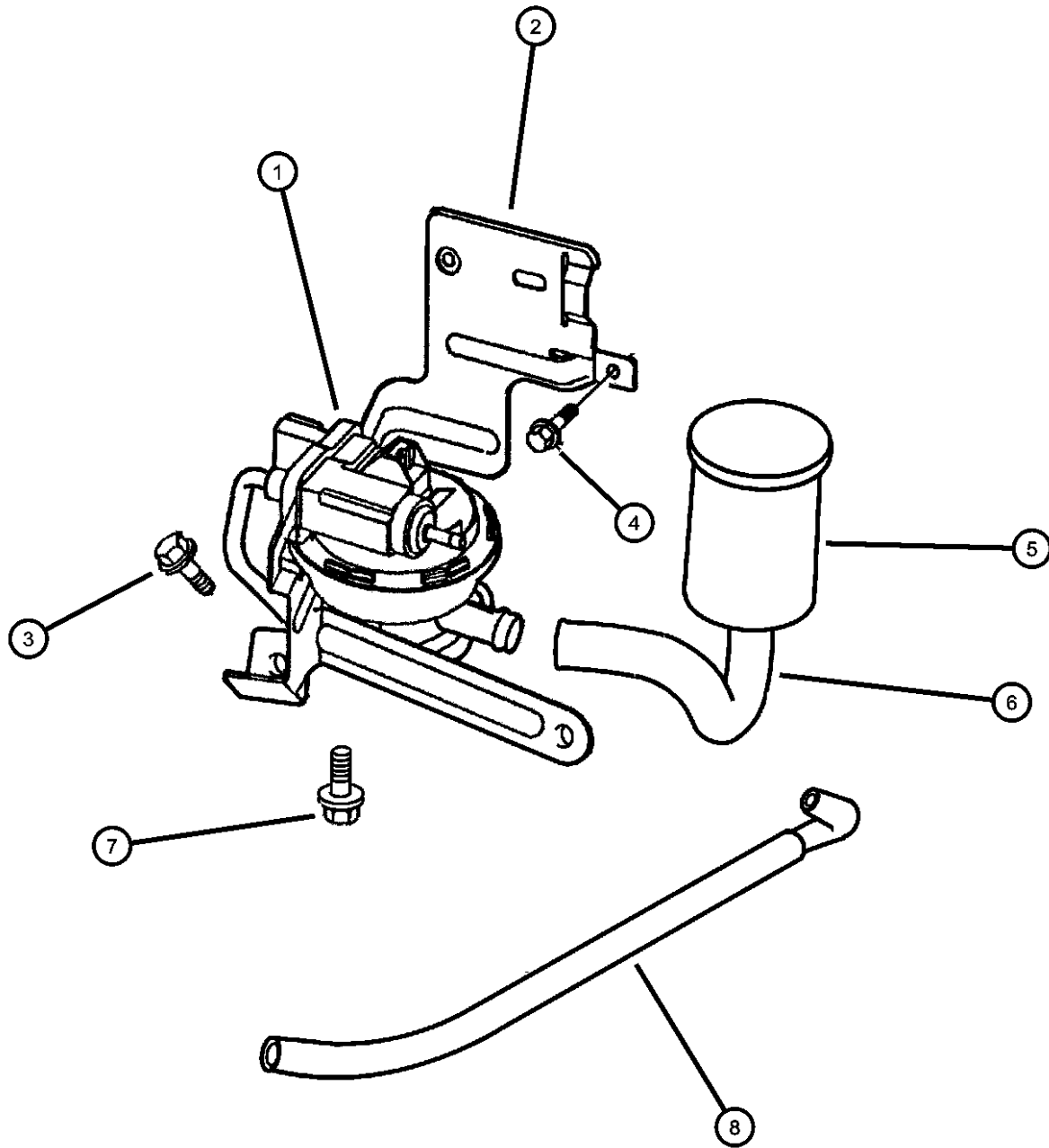
TRANSMISSION
DDD = TRANSMISSION - 5-SPEED HD MANUAL
DDQ = TRANSMISSION - 5-SPEED MANUAL
DGD = TRANSMISSION - 3-SPD. AUTOMATIC,30RH
DGG = TRANSMISSION - 3-SPD. AUTOMATIC,32RH
DG0 = All Automatic Transmissions
DBB = All Manual Transmissions
DD0 = All 5 Speed Manual Transmissions

AR = use ase required - = Non illustrated part

2000 TJ

**Leak Detection Pump
Figure 25-420**

ITEM	PART NUMBER	QTY	LINE	SERIES	BODY	ENGINE	TRANS	TRIM	DESCRIPTION
Note; EPO= All 2.5 Gas Engines, ERO= All 4.0 Gas Engines.									
1	53013114AA	1	J			EPO, ERO			PUMP, Leak Detection
2	04854172	1	J			EPO, ERO			BRACKET, Leak Detection Pump
3	04854172	1							SCREW, M6x1.00x20.00, (NOT SERVICED)
4	04854172	1							SCREW, M6x1.00x11.00, (NOT SERVICED)
5	04612901	1	J			EPO, ERO			FILTER, Fuel Vapor Vent
6	04854195	1	J			EPO, ERO			HOSE, Leak Detection Pump
7	06035482	3	J			EPO, ERO			SCREW, Tapping, .19-16x.375
8	04854195AC	1	J			EPO, ERO			HOSE, Leak Detection Pump to Canister



WRANGLER (TJ)

SERIES	LINE
H = Sport	J = Wrangler 4WD
L = SE	U = Wrangler 4WD (RHD)
P = Sahara	

BODY
77 = 93.4 WB

ENGINE
EPE = ENGINE - 2.5L POWER TECH I-4 Cyl.
ERH = ENGINE - 4.0L POWER TECH I-6

TRANSMISSION
DDD = TRANSMISSION - 5-SPEED HD MANUAL
DDQ = TRANSMISSION - 5-SPEED MANUAL
DGD = TRANSMISSION - 3-SPD. AUTOMATIC,30RH
DGG = TRANSMISSION - 3-SPD. AUTOMATIC,32RH
DG0 = All Automatic Transmissions
DBB = All Manual Transmissions
DD0 = All 5 Speed Manual Transmissions

AR = use ase required - = Non illustrated part

Group - DTJ

Doors and Related Parts

Group - DTJ Doors and Related Parts

Illustration Title

Group-Fig. No.

Front Door

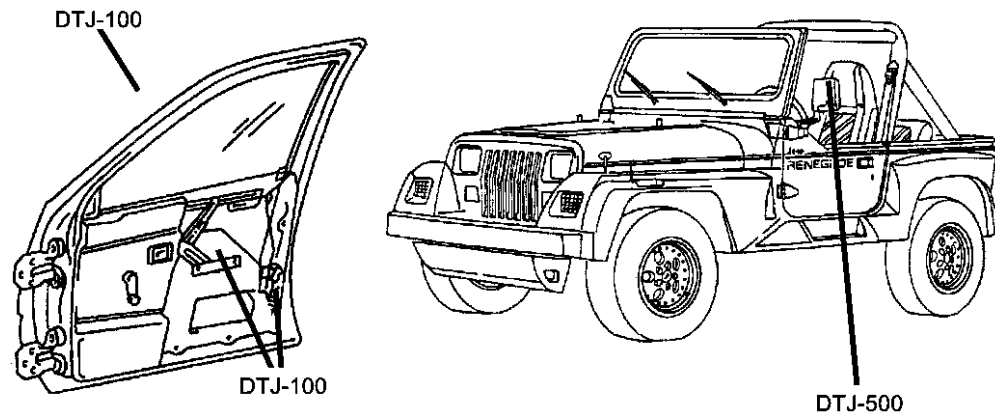
Door, Full Front Shell And Hinges	Fig. DTJ - 110
Door, Full Front Glass And Regulator	Fig. DTJ - 120
Door, Full Front Lock And Controls	Fig. DTJ - 130
Door, Half Front Shell And Hinges	Fig. DTJ - 160
Door, Half Front Lock And Controls	Fig. DTJ - 170

Exterior Mirror

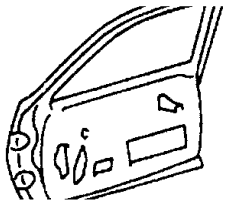
Mirror, Exterior	Fig. DTJ - 510
------------------------	----------------

Weatherstrips and Seals

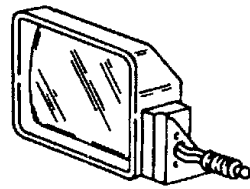
Door Weatherstrips And Runs	Fig. DTJ - 610
-----------------------------------	----------------



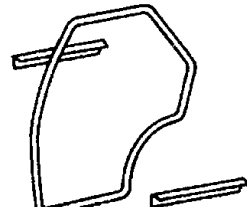
DTJ-100
Front Door



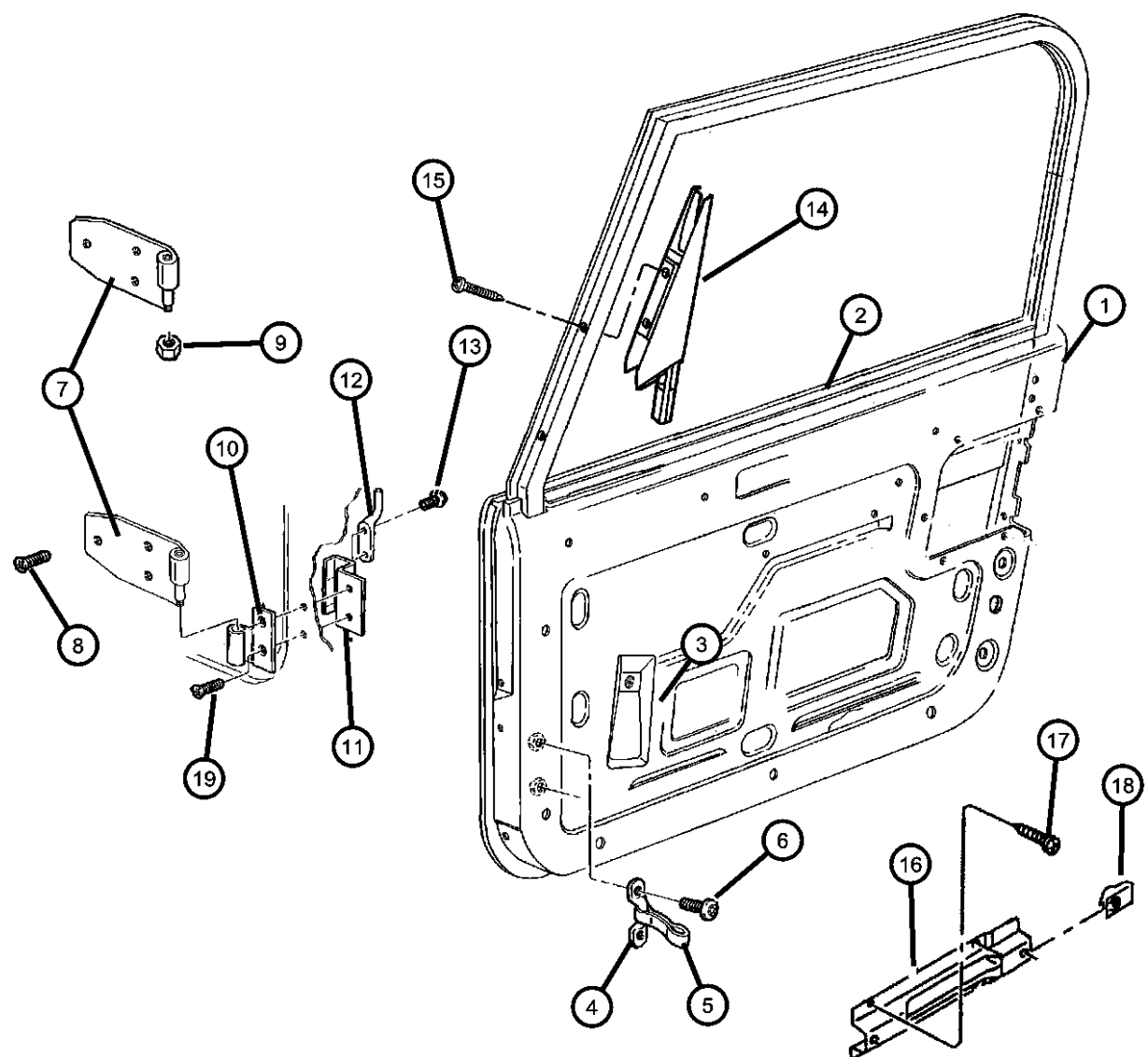
DTJ-500
Exterior Mirror



DTJ-600
Weatherstrips and Seals



**Door, Full Front Shell And Hinges
Figure DTJ-110**



ITEM	PART NUMBER	QTY	LINE	SERIES	BODY	ENGINE	TRANS	TRIM	DESCRIPTION
1									DOOR, Front, Shell
	55176536AC	1							Right
	55176537AC	1							Left
2									PANEL, Door Outer
	55176540	1							Right
	55176541	1							Left
3									WATERSHIELD, Front Door
	55175786AD	1							Right
	55175787AD	1							Left
4	55013666	2							FOOTMAN LOOP, Hold Down
5	55176339	2							CHECK, Front Door
6	06036102AA	4							SCREW, .19-24.50
7									HINGE, Door Half
	55176366	1							Lower Right
	55176367	1							Lower Left
	55176368	1							Upper Right
	55176369	1							Upper Left
8	06504443	12							SCREW
9	06504417	4							NUT, Hex, M8x1.25
10									HINGE, Body Half
	55075560AB	1							Lower Body Half, Right
	55075561AB	1							Lower Body Half, Left
11	J5459281	2							TAPPING PLATE, Door Hinge Body Half
12	J5459286	2							PIN, Restraint Strap
13	06501979	2							SCREW AND WASHER, Hex Head, M6x1x17
14									PANEL, Door Outer
	55176568AB	1							Sail, Right
	55176569AB	1							Sail, Left
15	55176569AB	1							SCREW, (NOT SERVICED),

WRANGLER (TJ)

SERIES LINE
H = Sport J = Wrangler 4WD
L = SE U = Wrangler 4WD (RHD)
P = Sahara

BODY
77 = 93.4 WB

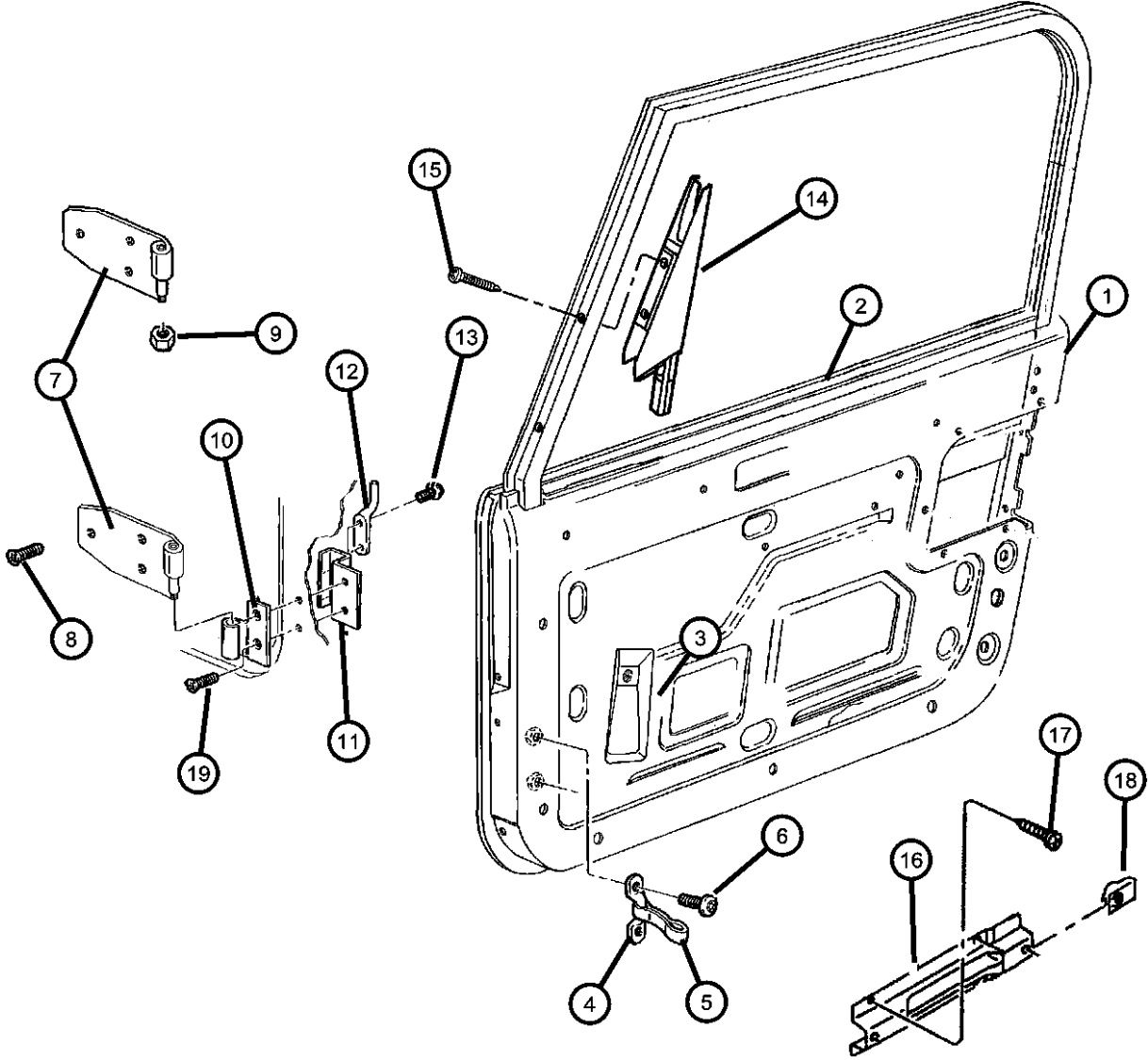
ENGINE
EPE = ENGINE - 2.5L POWER TECH I-4 Cyl.
ERH = ENGINE - 4.0L POWER TECH I-6

TRANSMISSION
DDD = TRANSMISSION - 5-SPEED HD MANUAL
DDQ = TRANSMISSION - 5-SPEED MANUAL
DGD = TRANSMISSION - 3-SPD. AUTOMATIC,30RH
DGG = TRANSMISSION - 3-SPD. AUTOMATIC,32RH
DG0 = All Automatic Transmissions
DBB = All Manual Transmissions
DD0 = All 5 Speed Manual Transmissions

AR = use ase required - = Non illustrated part

**Door, Full Front Shell And Hinges
Figure DTJ-110**

ITEM	PART NUMBER	QTY	LINE	SERIES	BODY	ENGINE	TRANS	TRIM	DESCRIPTION
16	55175848AC	2							BRACKET, Grab Handle
17	55175848AC	2							SCREW, (NOT SERVICED)
18	06504993AA	4							NUT
19	06035757	4							SCREW

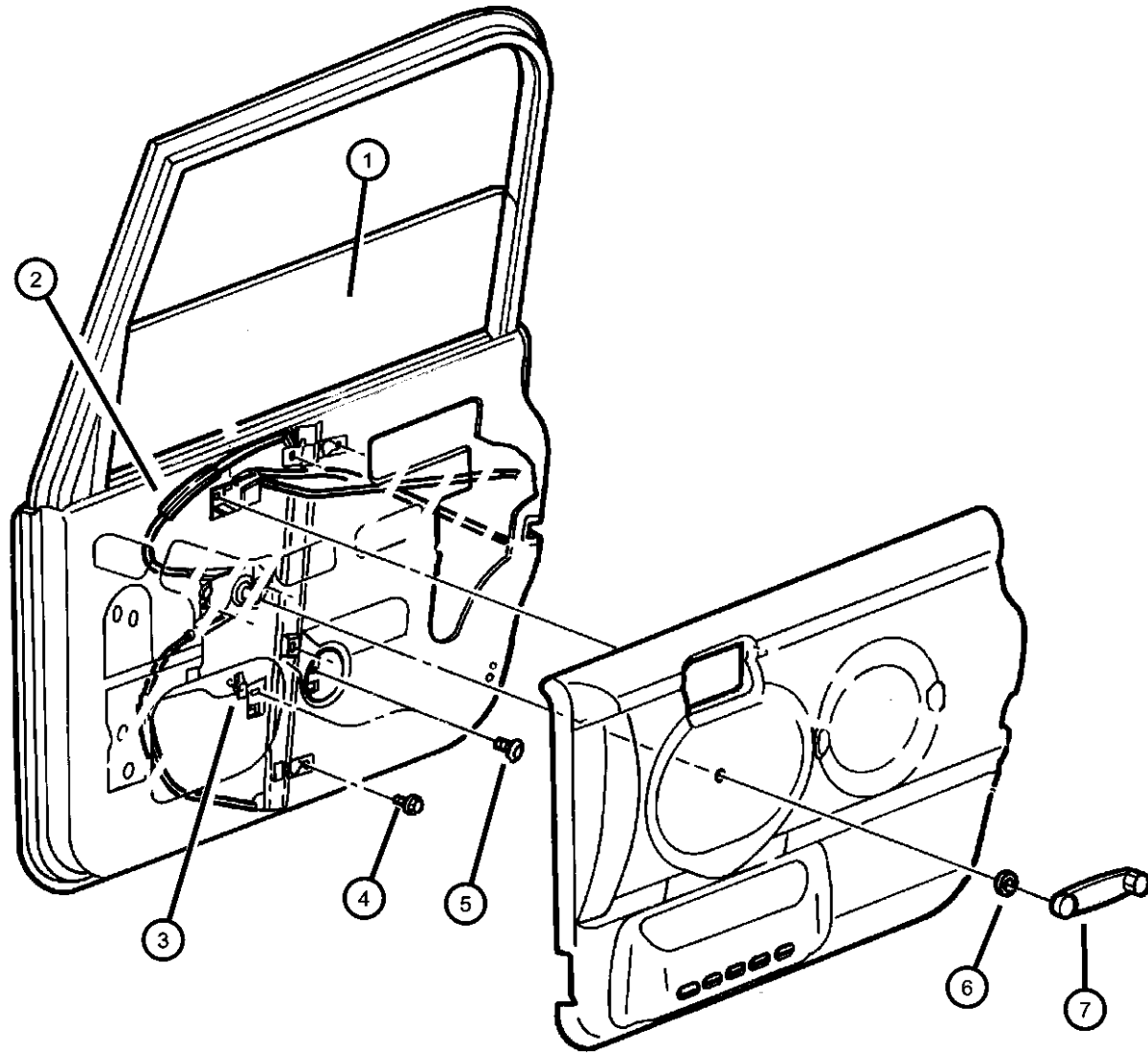


WRANGLER (TJ)

SERIES	LINE	BODY	ENGINE	TRANSMISSION
H = Sport	J = Wrangler 4WD	77 = 93.4 WB	EPE = ENGINE - 2.5L POWER TECH I-4 Cyl.	DDD = TRANSMISSION - 5-SPEED HD MANUAL
L = SE	U = Wrangler 4WD (RHD)		ERH = ENGINE - 4.0L POWER TECH I-6	DDQ = TRANSMISSION - 5-SPEED MANUAL
P = Sahara				DGD = TRANSMISSION - 3-SPD. AUTOMATIC,30RH
				DGG = TRANSMISSION - 3-SPD. AUTOMATIC,32RH
				DG0 = All Automatic Transmissions
				DBB = All Manual Transmissions
				DD0 = All 5 Speed Manual Transmissions

AR = use ase required - = Non illustrated part

**Door, Full Front Glass And Regulator
Figure DTJ-120**



ITEM	PART NUMBER	QTY	LINE	SERIES	BODY	ENGINE	TRANS	TRIM	DESCRIPTION
1	55175324	1							GLASS, Door Right
	55175325	1							Left
2	55076024	1							REGULATOR, Front Door Window Right
	55076025	1							Left
3	55176412	4							GROMMET, Body
4	55176412	4							SCREW, (NOT SERVICED)
5	06035224	4							SCREW, Pan Head Special, .25x10x.625
6	55076218	2							SPACER, Door Handle
7	0FW80PX9	2							HANDLE, Window Regulator, Glass

WRANGLER (TJ)

SERIES	LINE
H = Sport	J = Wrangler 4WD
L = SE	U = Wrangler 4WD (RHD)
P = Sahara	

BODY
77 = 93.4 WB

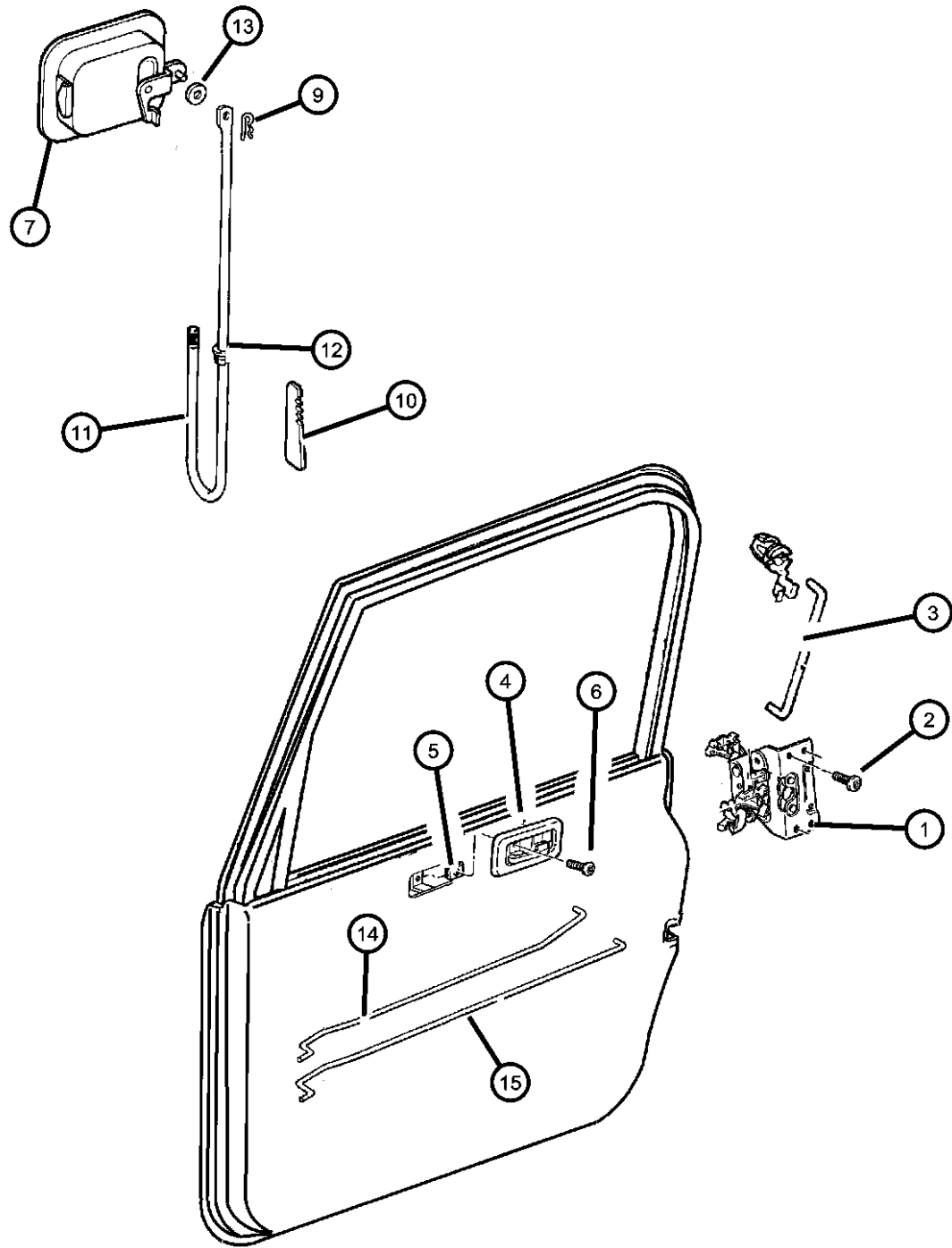
ENGINE
EPE = ENGINE - 2.5L POWER
TECH I-4 Cyl.
ERH = ENGINE - 4.0L
POWER TECH I-6

TRANSMISSION
DDD = TRANSMISSION - 5-SPEED
HD MANUAL
DDQ = TRANSMISSION - 5-SPEED
MANUAL
DGD = TRANSMISSION - 3-SPD.
AUTOMATIC,30RH
DGG = TRANSMISSION - 3-SPD.
AUTOMATIC,32RH
DG0 = All Automatic Transmissions
DBB = All Manual Transmissions
DD0 = All 5 Speed Manual
Transmissions

AR = use ase required - = Non illustrated part

2000 TJ

**Door, Full Front Lock And Controls
Figure DTJ-130**



ITEM	PART NUMBER	QTY	LINE	SERIES	BODY	ENGINE	TRANS	TRIM	DESCRIPTION
1	55075990AE	1							LATCH, Front Door Right
	55075991AE	1							Left
2	06033876	6							SCREW, Tapping, M6.3x1.8x38.1
3	55075989	2							LINK, Latch Locking
4	55176476AB	1							HANDLE, Inside Release Right
	55176477AB	1							Left
5	06503998	2							NUT, U Multi Thread, M5 x .80
6	06505026AA	2							SCREW, M5x16, Remote Control
7	55176382AE	1							HANDLE, Exterior Door Right
	55176383AE	1							Left
-8	06505026AA	2							SCREW, M5x16
9	J4005122	2							PIN, Hitch
10	55076221	4							KEEPER, Outside Handle
11	55075992	1							LINK, Latch Release Exterior Handle to Latch, Right
	55075993	1							Exterior Handle to Latch, Left
12	55176399	2							BUSHING, Door Handle
13	55176399	2							WASHER, (NOT SERVICED)
14	55176628AB	1							LINK, Door Latch Right
	55176629AB	1							Left
15	55176630	1							LINK, Door Latch Right
	55176631	1							Left

WRANGLER (TJ)

SERIES

H = Sport
L = SE
P = Sahara

LINE

J = Wrangler 4WD
U = Wrangler 4WD (RHD)

BODY

77 = 93.4 WB

ENGINE

EPE = ENGINE - 2.5L POWER
TECH I-4 Cyl.
ERH = ENGINE - 4.0L
POWER TECH I-6

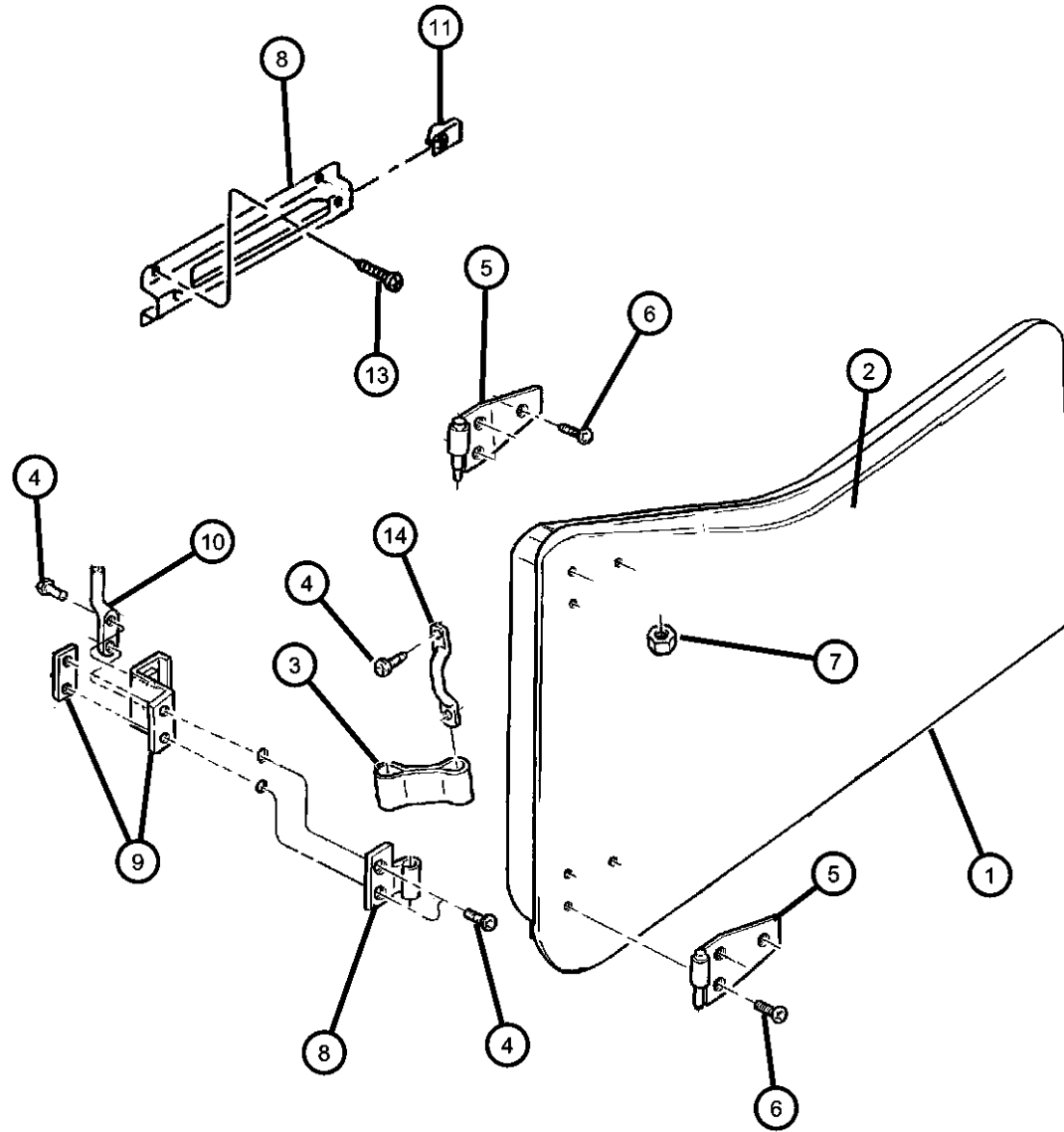
TRANSMISSION

DDD = TRANSMISSION - 5-SPEED
HD MANUAL
DDQ = TRANSMISSION - 5-SPEED
MANUAL
DGD = TRANSMISSION - 3-SPD.
AUTOMATIC,30RH
DGG = TRANSMISSION - 3-SPD.
AUTOMATIC,32RH
DG0 = All Automatic Transmissions
DBB = All Manual Transmissions
DD0 = All 5 Speed Manual
Transmissions

AR = use ase required - = Non illustrated part

2000 TJ

**Door, Half Front Shell And Hinges
Figure DTJ-160**



ITEM	PART NUMBER	QTY	LINE	SERIES	BODY	ENGINE	TRANS	TRIM	DESCRIPTION
1									DOOR, Front
	55174846AB	1							Right
	55174847AB	1							Left
2									PANEL, Door Outer
	55175196	1							Right
	55175197	1							Left
3	55176339	2							CHECK, Front Door
4	06035757	8							SCREW
5									HINGE, Door Half
	55176366	1							Lower, Right
	55176367	1							Lower, Left
	55176368	1							Upper, Right
	55176369	1							Upper, Left
6	06504443	12							SCREW
7	06504417	4							NUT, Hex, M8x1.25
8									HINGE, Body Half
	55075560AB	1							Lower Body Half, Right
	55075561AB	1							Lower Body Half, Left
9	J5459281	2							TAPPING PLATE, Door Hinge Body Half
10	J5459286	2							PIN, Restraint Strap
11	06504993AA	4							NUT
12	55175849AC	2							BRACKET, Grab Handle
13	55175849AC	2							SCREW, (NOT SERVICED)
14	55013666	2							FOOTMAN LOOP, Hold Down
15	06035757	4							SCREW

WRANGLER (TJ)

SERIES	LINE
H = Sport	J = Wrangler 4WD
L = SE	U = Wrangler 4WD (RHD)
P = Sahara	

BODY
77 = 93.4 WB

ENGINE
EPE = ENGINE - 2.5L POWER
TECH I-4 Cyl.
ERH = ENGINE - 4.0L
POWER TECH I-6

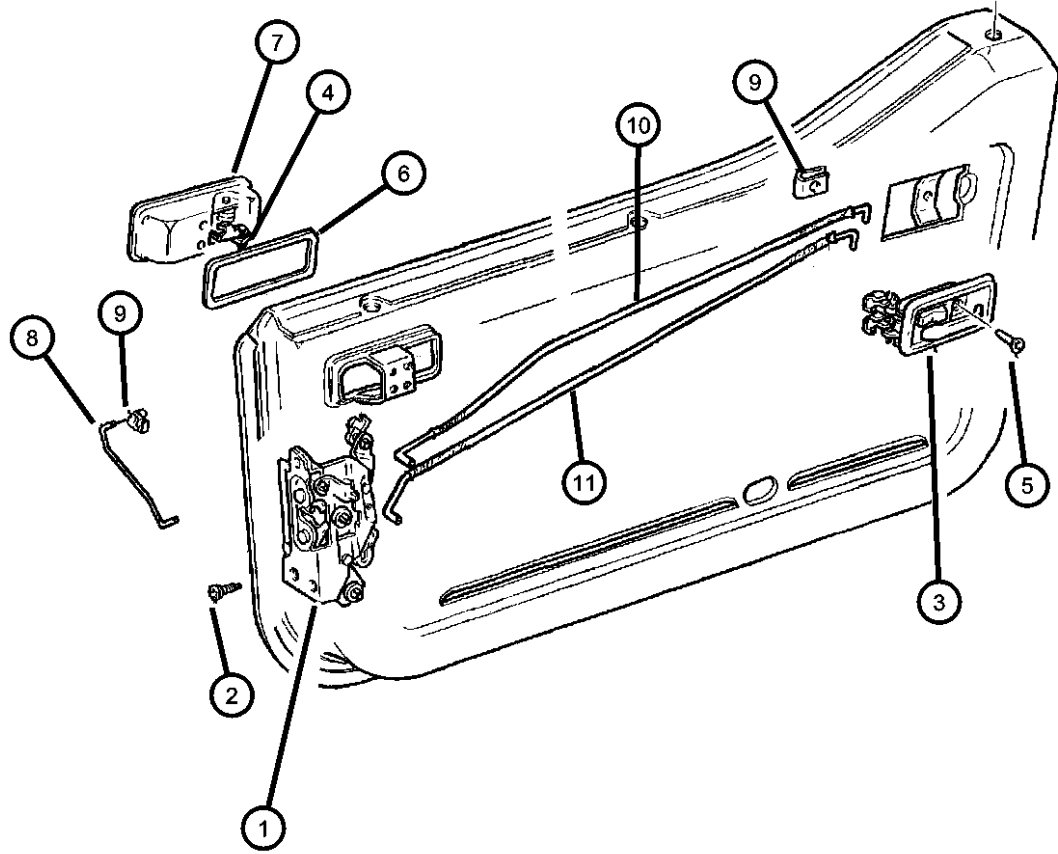
TRANSMISSION
DDD = TRANSMISSION - 5-SPEED
HD MANUAL
DDQ = TRANSMISSION - 5-SPEED
MANUAL
DGD = TRANSMISSION - 3-SPD.
AUTOMATIC,30RH
DGG = TRANSMISSION - 3-SPD.
AUTOMATIC,32RH
DG0 = All Automatic Transmissions
DBB = All Manual Transmissions
DD0 = All 5 Speed Manual
Transmissions

AR = use ase required - = Non illustrated part

2000 TJ

**Door, Half Front Lock And Controls
Figure DTJ-170**

ITEM	PART NUMBER	QTY	LINE	SERIES	BODY	ENGINE	TRANS	TRIM	DESCRIPTION
1									LATCH, Front Door
	55075982AB	1							Right
	55075983AB	1							Left
2	06033876	6							SCREW, Tapping, M6.3x1.8x38.1, Latch
3									HANDLE, Inside Release
	55176476AB	1							Right
	55176477AB	1							Left
4	55075974AB	2							LINK, Latch Locking
5	06505026AA	2							SCREW, M5x16
6	J3743608	2							SEAL, Handle, Exterior Handle
7									HANDLE, Exterior Door
	55176548AB	1							Right
	55176549AB	1							Left
8									LINK, Latch Release
	55075976	1							Right
	55075977	1							Left
9	06503998	2							NUT, U Multi Thread, M5 x .80
10									LINK, Door Latch
	55176626	1							Right
	55176627	1							Left
11									LINK, Door Latch
	55176624	1							Right
	55176625	1							Left



WRANGLER (TJ)

SERIES LINE
H = Sport J = Wrangler 4WD
L = SE U = Wrangler 4WD (RHD)
P = Sahara

BODY
77 = 93.4 WB

ENGINE
EPE = ENGINE - 2.5L POWER
TECH I-4 Cyl.
ERH = ENGINE - 4.0L
POWER TECH I-6

TRANSMISSION
DDD = TRANSMISSION - 5-SPEED
HD MANUAL
DDQ = TRANSMISSION - 5-SPEED
MANUAL
DGD = TRANSMISSION - 3-SPD.
AUTOMATIC,30RH
DGG = TRANSMISSION - 3-SPD.
AUTOMATIC,32RH
DG0 = All Automatic Transmissions
DBB = All Manual Transmissions
DD0 = All 5 Speed Manual
Transmissions

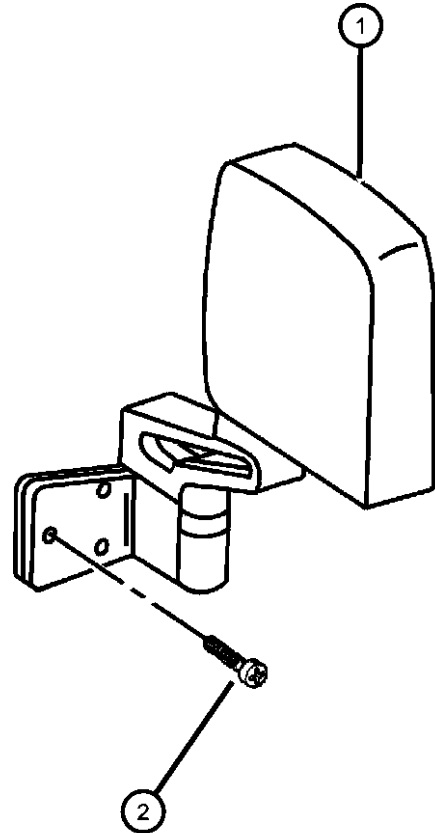
AR = use ase required - = Non illustrated part

2000 TJ

**Mirror, Exterior
Figure DTJ-510**

ITEM	PART NUMBER	QTY	LINE	SERIES	BODY	ENGINE	TRANS	TRIM	DESCRIPTION
------	-------------	-----	------	--------	------	--------	-------	------	-------------

Note: Sales Code GSE = Mirror Right
 Note: Sales Code GRE = Mirror Left
 Note: Sales Code GSV = Mirror Right Manual
 Note: Sales Code GRV = Mirror Left Manual



1									MIRROR, Outside Rearview
	55154880	1							GSE, Right
	55154881	1							GSE, Left
	55154882	1	J						GSV, Right
	55154883	1	J						GRV, Left
	55155588	1	J						Middle East, Right
	55155589	1	J						Middle East, Left
2	06034566	6							SCREW, Tapping Flange Head, .25-20x.875, Mirror

WRANGLER (TJ)

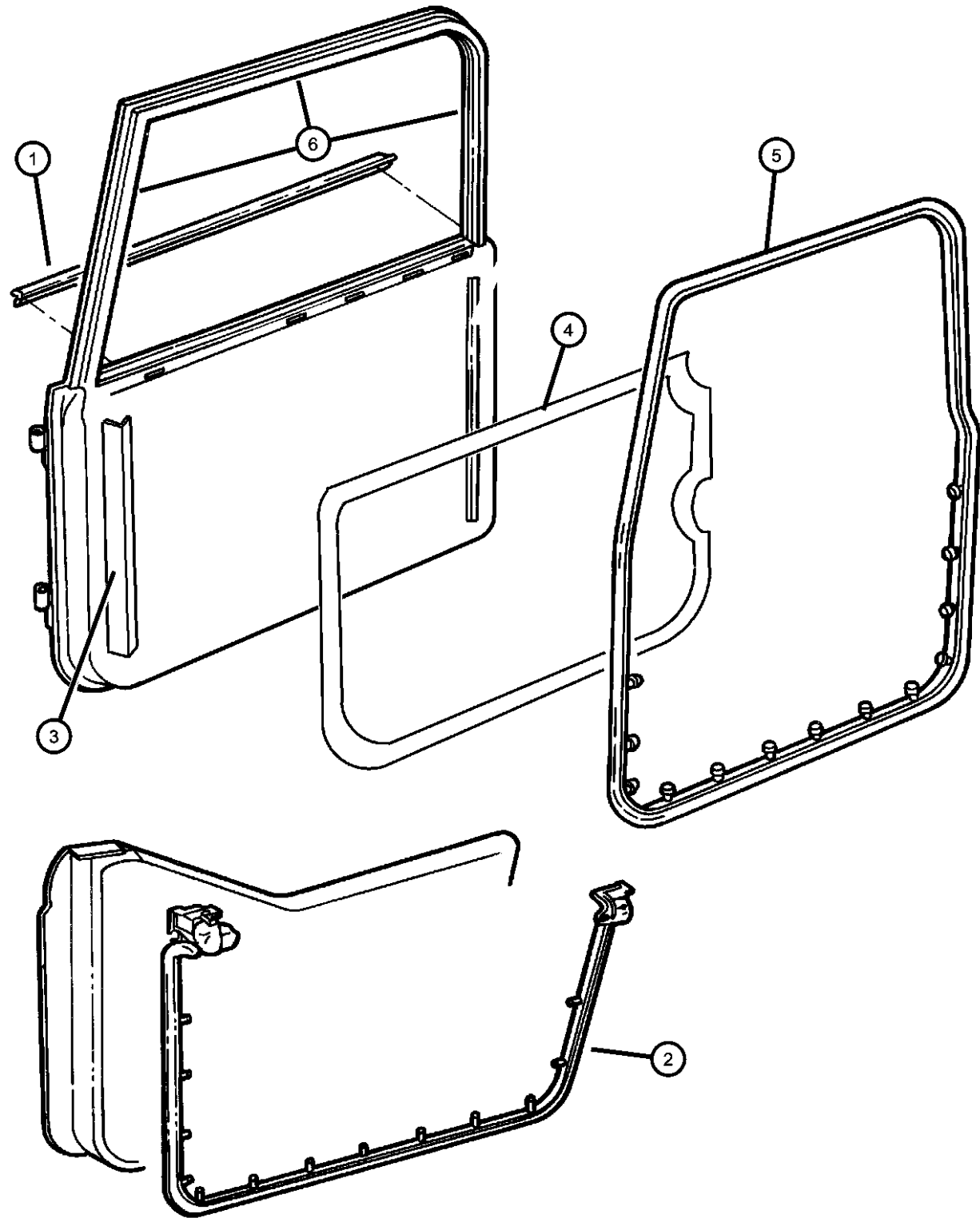
SERIES LINE
 H = Sport J = Wrangler 4WD
 L = SE U = Wrangler 4WD (RHD)
 P = Sahara

BODY
 77 = 93.4 WB

ENGINE
 EPE = ENGINE - 2.5L POWER
 TECH I-4 Cyl.
 ERH = ENGINE - 4.0L
 POWER TECH I-6

TRANSMISSION
 DDD = TRANSMISSION - 5-SPEED
 HD MANUAL
 DDQ = TRANSMISSION - 5-SPEED
 MANUAL
 DGD = TRANSMISSION - 3-SPD.
 AUTOMATIC,30RH
 DGG = TRANSMISSION - 3-SPD.
 AUTOMATIC,32RH
 DG0 = All Automatic Transmissions
 DBB = All Manual Transmissions
 DD0 = All 5 Speed Manual
 Transmissions

**Door Weatherstrips And Runs
Figure DTJ-610**



ITEM	PART NUMBER	QTY	LINE	SERIES	BODY	ENGINE	TRANS	TRIM	DESCRIPTION
1	55176564AC	1							WEATHERSTRIP, Door Belt Right
	55176565AC	1							Left
2	55177258AB	1							WEATHERSTRIP, Front Door Right
	55177259AB	1							Left
3	55175750AB	2							WEATHERSTRIP, Glass Channel RunFront
4	55175786AD	1							WATERSHIELD, Front Door Right
	55175787AD	1							Left
5	55177260AB	1							WEATHERSTRIP, Front Door Right
	55177261AB	1							Left
6	55175226AB	2							WEATHERSTRIP, Glass Channel Run

WRANGLER (TJ)

SERIES	LINE
H = Sport	J = Wrangler 4WD
L = SE	U = Wrangler 4WD (RHD)
P = Sahara	

BODY
77 = 93.4 WB

ENGINE
EPE = ENGINE - 2.5L POWER
TECH I-4 Cyl.
ERH = ENGINE - 4.0L
POWER TECH I-6

TRANSMISSION
DDD = TRANSMISSION - 5-SPEED
HD MANUAL
DDQ = TRANSMISSION - 5-SPEED
MANUAL
DGD = TRANSMISSION - 3-SPD.
AUTOMATIC,30RH
DGG = TRANSMISSION - 3-SPD.
AUTOMATIC,32RH
DG0 = All Automatic Transmissions
DBB = All Manual Transmissions
DD0 = All 5 Speed Manual
Transmissions

AR = use ase required - = Non illustrated part

Group - ETJ

Exterior Ornamentation

Group - ETJ Exterior Ornamentation

Illustration Title

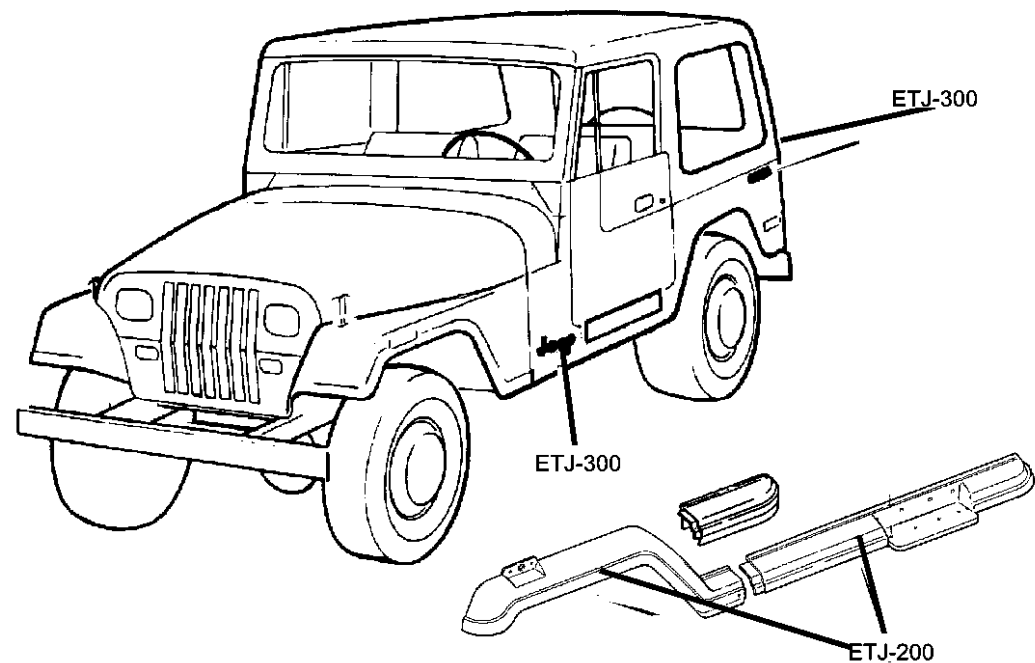
Group-Fig. No.

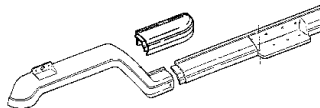
Moldings and Ornamentation

Moldings..... Fig. ETJ - 210

Decals and Tapestripes

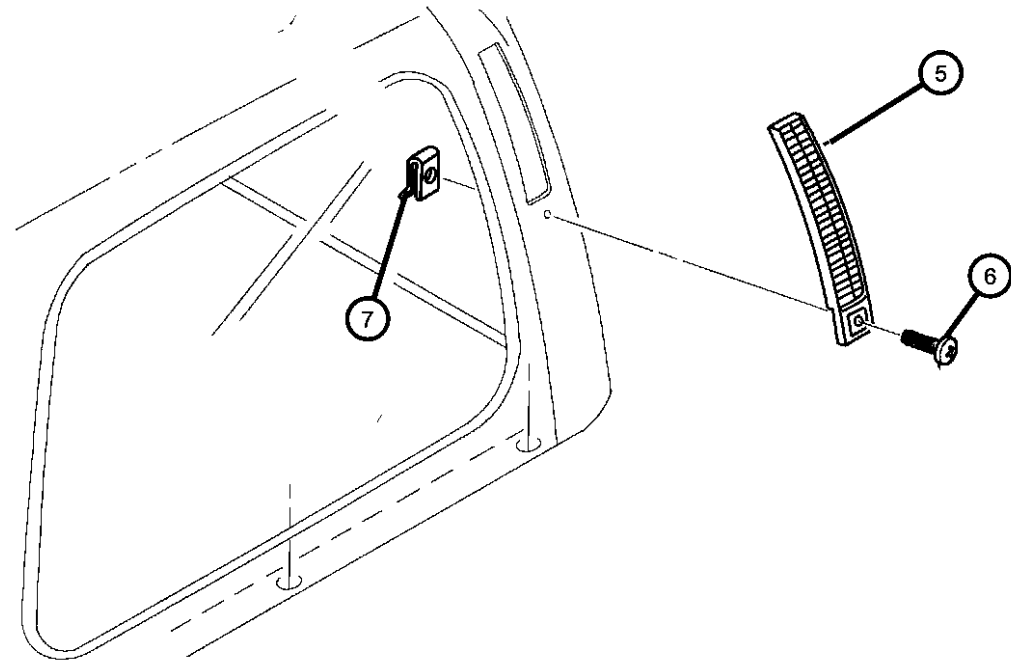
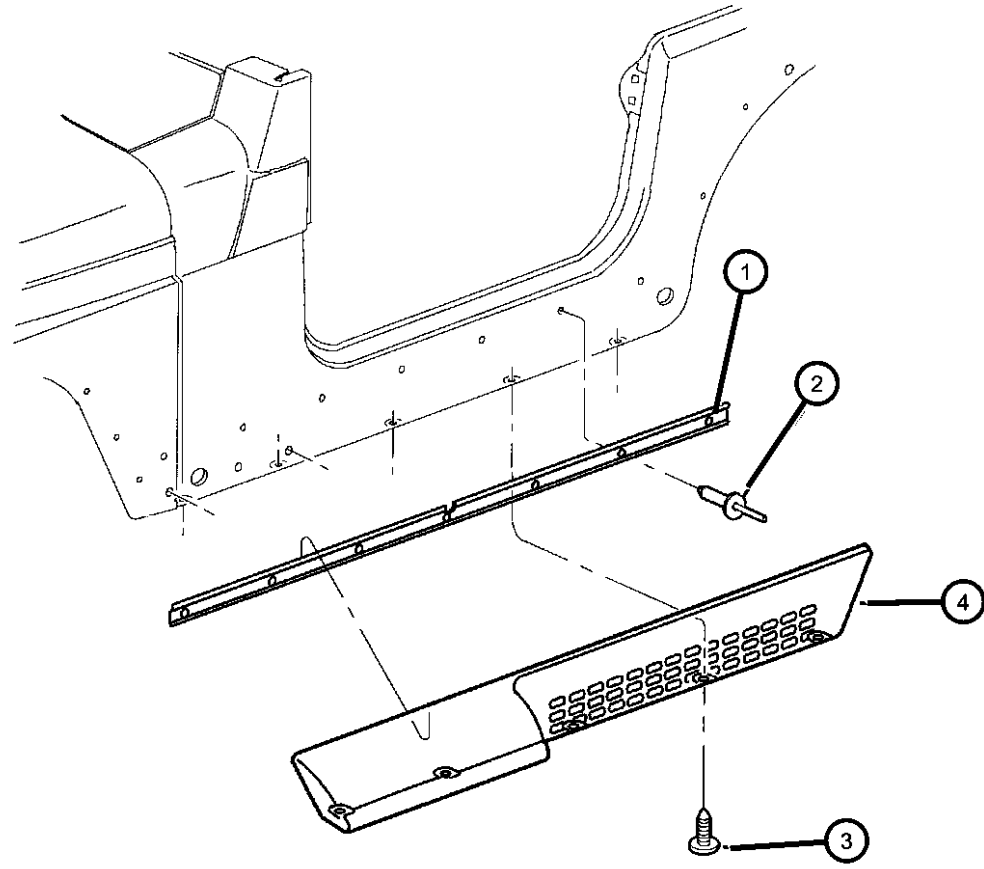
Decals..... Fig. ETJ - 310



<p>ETJ-200 Moldings and Ornamentation</p> 	<p>ETJ-300 Decals and Tapestripes</p> <p>JEEP</p> <p>WRANGLER</p>		
---	--	--	--

**Mouldings
Figure ETJ-210**

ITEM	PART NUMBER	QTY	LINE	SERIES	BODY	ENGINE	TRANS	TRIM	DESCRIPTION
1	55174995AB	2		P					RAIL, Sill Molding Hanger
2	34201597	14		P					RIVET, Dome Head Blind, .1875x.625
3	06030441	2	J						PIN, Retainer
4									MOLDING, Body Side, Service Dealer Paint
	5DS76TX8	1		P					Lower Sill, Right
	5DS77TX8	1		P					Lower Sill, Left
5									EXHAUSTER, Front Door
	55036306	1							Right
	55036307	1							Left
6	55036307	1							SCREW, (NOT SERVICED)
7	55036307	1							NUT, (NOT SERVICED)
-8	55155566	2							PROTECTOR, Door Opening



WRANGLER (TJ)

SERIES	LINE
H = Sport	J = Wrangler 4WD
L = SE	U = Wrangler 4WD (RHD)
P = Sahara	

BODY
77 = 93.4 WB

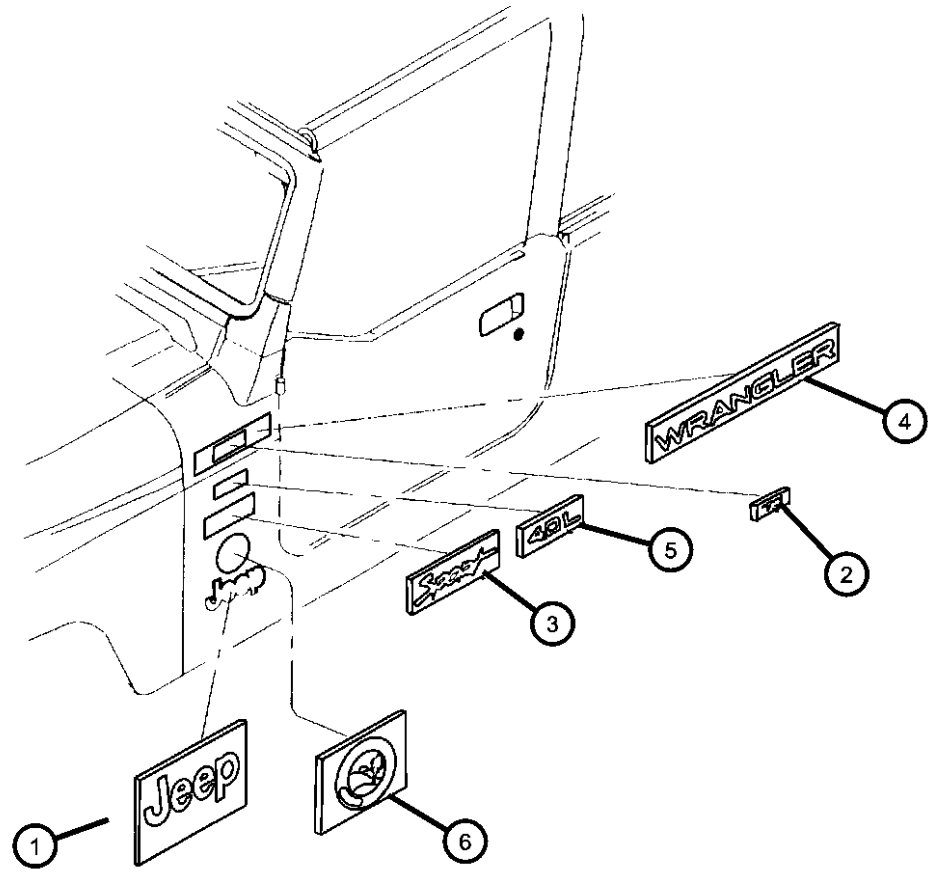
ENGINE
EPE = ENGINE - 2.5L POWER TECH I-4 Cyl.
ERH = ENGINE - 4.0L POWER TECH I-6

TRANSMISSION
DDD = TRANSMISSION - 5-SPEED HD MANUAL
DDQ = TRANSMISSION - 5-SPEED MANUAL
DGD = TRANSMISSION - 3-SPD. AUTOMATIC,30RH
DGG = TRANSMISSION - 3-SPD. AUTOMATIC,32RH
DG0 = All Automatic Transmissions
DBB = All Manual Transmissions
DD0 = All 5 Speed Manual Transmissions

AR = use ase required - = Non illustrated part

2000 TJ

**Decals
Figure ETJ-310**



ITEM	PART NUMBER	QTY	LINE	SERIES	BODY	ENGINE	TRANS	TRIM	DESCRIPTION
1	5FC84TA2	2							DECAL, Bodyside, JEEP [KWP]
	5FC84TA9	2							[KWR]
2	5FE56TA2	2	J						DECAL [KVP]
	5FE56TA9	2	J						[KVR]
3	5FC81HA2	2							DECAL, Bodyside, SPORT [KFP]
	5FC81HA9	2							[KFR]
4	5FC83TA2	2							DECAL, Bodyside, Wrangler [KXP]
	5FC83TA9	2							[KXR]
5	5FC85TA2	2							DECAL, 4.0L High Output [KYP]
	5FC85TA9	2							[KYR]
6	5FE52WGK	2							DECAL, Sahara, [KBT]
-7	55155566	2							PROTECTOR, Door Opening, Lower Door

WRANGLER (TJ)

SERIES

H = Sport
L = SE
P = Sahara

LINE

J = Wrangler 4WD
U = Wrangler 4WD (RHD)

BODY

77 = 93.4 WB

ENGINE

EPE = ENGINE - 2.5L POWER
TECH I-4 Cyl.
ERH = ENGINE - 4.0L
POWER TECH I-6

TRANSMISSION

DDD = TRANSMISSION - 5-SPEED
HD MANUAL
DDQ = TRANSMISSION - 5-SPEED
MANUAL
DGD = TRANSMISSION - 3-SPD.
AUTOMATIC,30RH
DGG = TRANSMISSION - 3-SPD.
AUTOMATIC,32RH
DG0 = All Automatic Transmissions
DBB = All Manual Transmissions
DD0 = All 5 Speed Manual
Transmissions

AR = use ase required - = Non illustrated part

Group - ITJ

Interior Trim

Group - ITJ Interior Trim

Illustration Title

Group-Fig. No.

Headliner and Visor

Sunvisors Fig. ITJ - 110

Carpet

Carpets And Interior Trim Panels Fig. ITJ - 310

Door Trim Panels- Front and Rear

Door Trim Panels Half Doors & Full Doors Fig. ITJ - 410

Front Seats and Attaching Parts

Front Seats Fig. ITJ - 510

Rear Seats and Attaching Parts

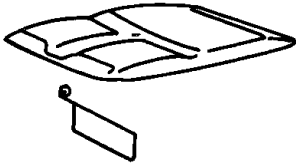
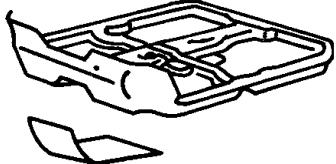
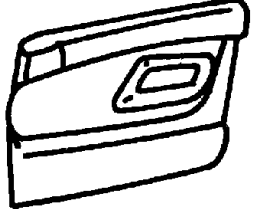
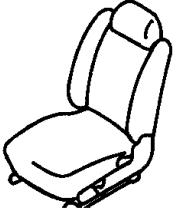
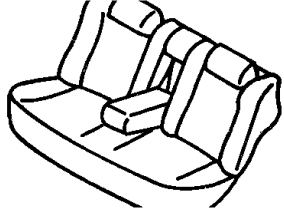
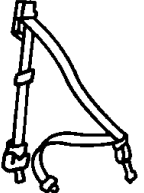
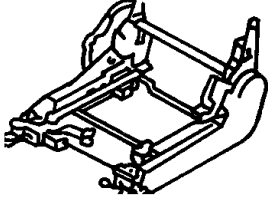
Seat Assemblies, Seat Covers Rear Seat..... Fig. ITJ - 610

Seat Belts-Front and Rear

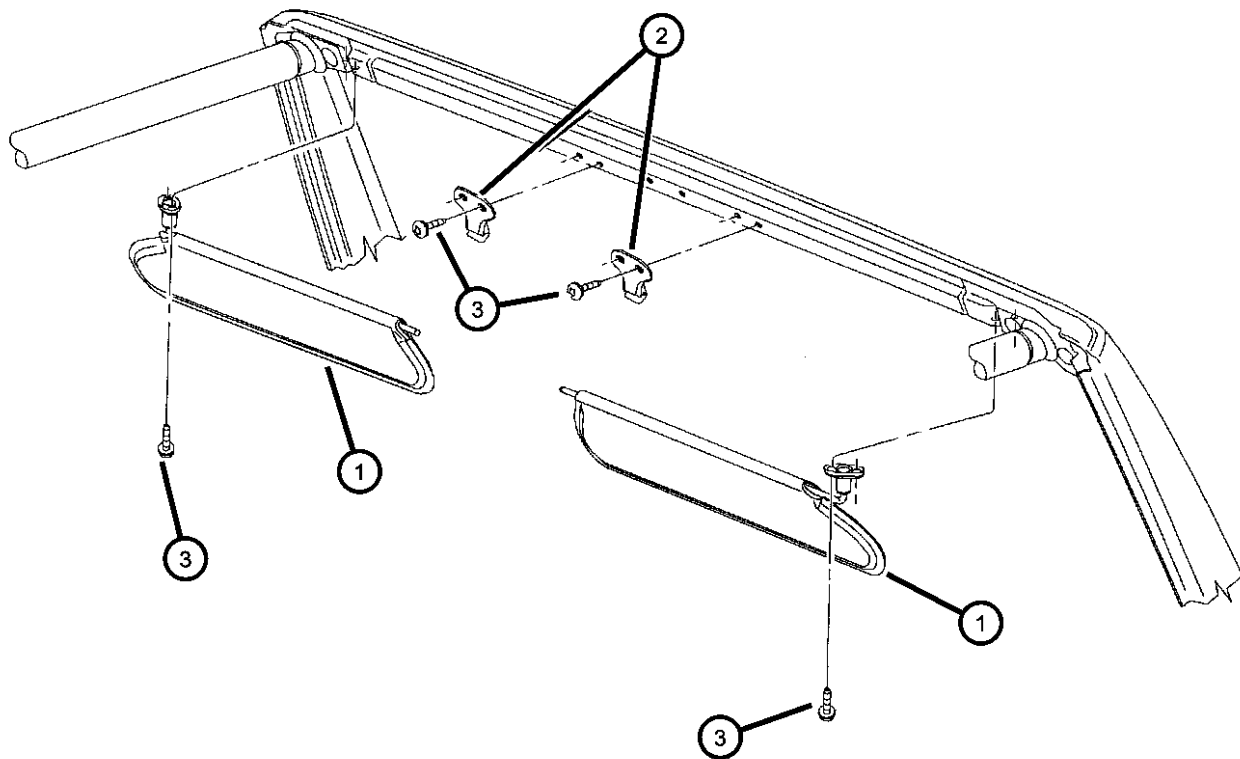
Seat Belts..... Fig. ITJ - 710

Adjusters, Covers, Shields, and Risers

Seat Assemblies, Adjusters, Recliners Fig. ITJ - 810

<p>ITJ-100 Headliner and Visor</p> 	<p>ITJ-300 Carpet</p> 	<p>ITJ-400 Door Trim Panels- Front and Rear</p> 	<p>ITJ-500 Front Seats and Attaching Parts</p> 
<p>ITJ-600 Rear Seats and Attaching Parts</p> 	<p>ITJ-700 Seat Belts-Front and Rear</p> 	<p>ITJ-800 Adjusters, Covers, Shields, and Risers</p> 	

**Sunvisors
Figure ITJ-110**



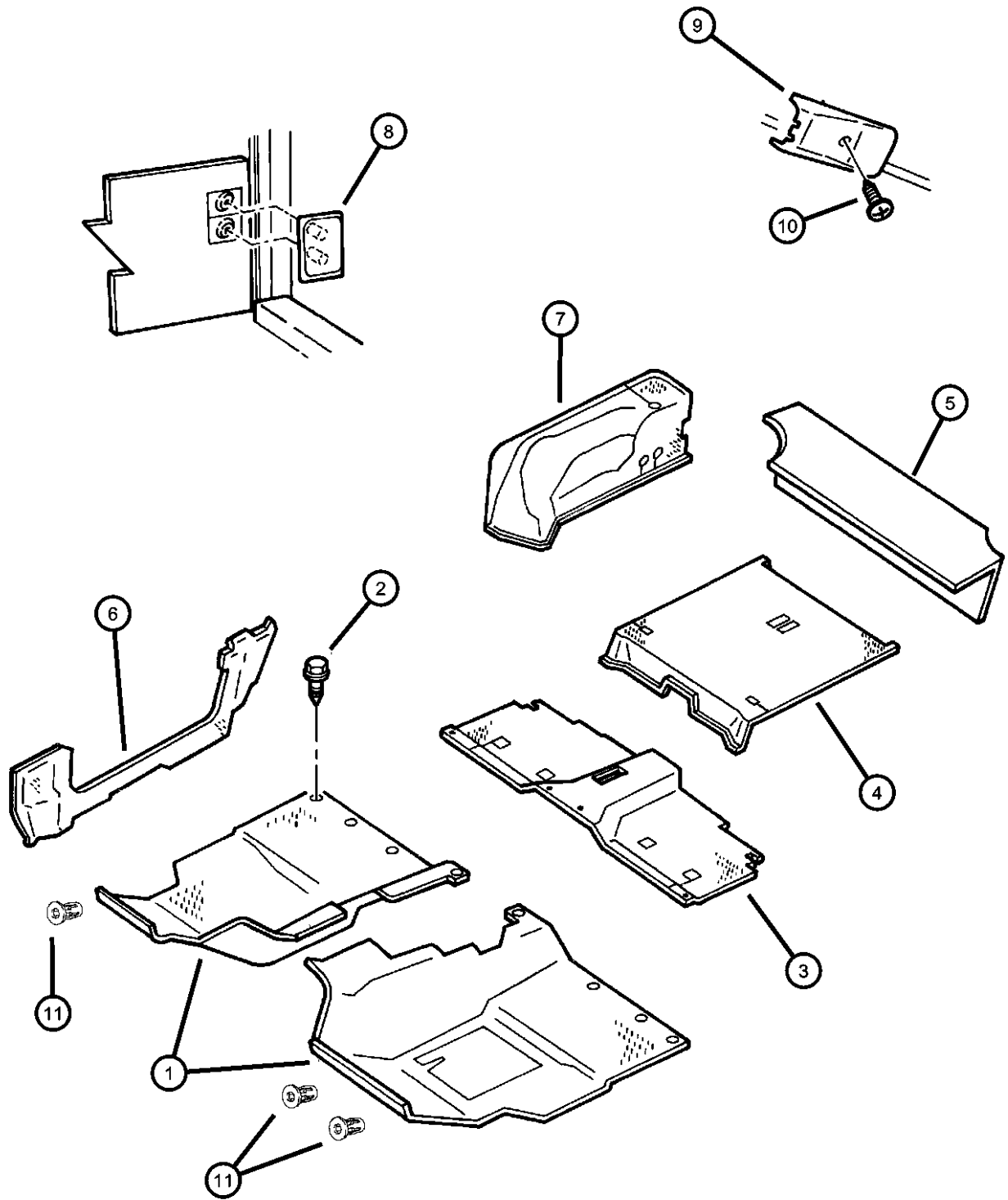
ITEM	PART NUMBER	QTY	LINE	SERIES	BODY	ENGINE	TRANS	TRIM	DESCRIPTION
1									VISOR
	5EP34LAZAE	1	J					*O0	[AZ, K5], Right
	5EP34RK5AE	1	J					*O0	[KG], Right
	5EP35LAZAE	1	J					*O0	[AZ, K5], Left
	5EP35RK5AE	1	J					*O0	[KG], Left
	5FP02LAZAE	1	U					*O0	[AZ, K5], Right
	5FP02RK5AE	1	U					*O0	[KG], Right
	5FP03LAZAE	1	U					*O0	[AZ, K5], Left
	5FP03RK5AE	1	U					*O0	[KG], Left
2	55217264AB	2							SUPPORT, Visor
3	55217264AB	2							SCREW, .164-18x.75, (NOT SERVICED)
-4	55217264AB	2							LABEL, Transfer Case Shift, (NOT REQUIRED)
-5	55196783AA	1	J						LABEL, Airbag, (NOT REQUIRED), Referral
-6									LABEL, Air Bag Warning
	55315001AA	1	J						CANADA, Passenger Airbag Disarm Warning
	55350848AA	2	J						English/French

WRANGLER (TJ)

SERIES	LINE	BODY	ENGINE	TRANSMISSION
H = Sport	J = Wrangler 4WD	77 = 93.4 WB	EPE = ENGINE - 2.5L POWER TECH I-4 Cyl.	DDD = TRANSMISSION - 5-SPEED HD MANUAL
L = SE	U = Wrangler 4WD (RHD)		ERH = ENGINE - 4.0L POWER TECH I-6	DDQ = TRANSMISSION - 5-SPEED MANUAL
P = Sahara				DGD = TRANSMISSION - 3-SPD. AUTOMATIC,30RH
				DGG = TRANSMISSION - 3-SPD. AUTOMATIC,32RH
				DG0 = All Automatic Transmissions
				DBB = All Manual Transmissions
				DD0 = All 5 Speed Manual Transmissions

AR = use ase required - = Non illustrated part

Carpets And Interior Trim Panels
Figure ITJ-310



ITEM	PART NUMBER	QTY	LINE	SERIES	BODY	ENGINE	TRANS	TRIM	DESCRIPTION
1									CARPET, Front Floor
	5FV51LAZAD	1	J					*00	[AZ], Left
	5FV51VK9AD	1	J					*00	[KG, K5], Left
	5FW14LAZAE	1	U					*00	[AZ], Right
	5FW14VK9AE	1	U					*00	[KG, K5], Right
	5FW15LAZAD	1	U					*00	[AZ], Left
	5FW15VK9AD	1	U					*00	[KG, K5], Left
	5FW50LAZAF	1	J					*00	[AZ], Right
	5FW50VK9AF	1	J					*00	[KG, K5], Right
2	J4007545	2							SCREW AND WASHER, Snap Head, .164-18x.375
3									CARPET, Rear Floor
	5FV48LAZ	1						*00	[AZ], With Full Console
	5FV48VK9	1						*00	[KG, K5], With Full Console
	5FV49LAZ	1						*00	[AZ], With Mini Console
	5FV49VK9	1						*00	[KG, K5], With Mini Console
4									CARPET, Cargo Floor
	5FW16LAZAB	1						*00	[AZ]
	5FW16VK9AB	1						*00	[KG, K5]
5									PANEL, Add A Trunk
	5FV251AZAC	1						*00	[AZ]
	5FV251K9AC	1						*00	[KG, K5]
6									CARPET, Floor
	5GA74VK9AB	1						*00	[KG], Right
	5GA75VK9AB	1						*00	[KG], Left
7									CARPET, Wheelhouse
	5FV16LAZAC	1						*00	[AZ], Right
	5FV16VK9AC	1						*00	[KG, K5], Right
	5FV17LAZAD	1						*00	[AZ], Left
	5FV17VK9AD	1						*00	[KG, K5], Left

WRANGLER (TJ)

SERIES LINE
H = Sport J = Wrangler 4WD
L = SE U = Wrangler 4WD (RHD)
P = Sahara

BODY
77 = 93.4 WB

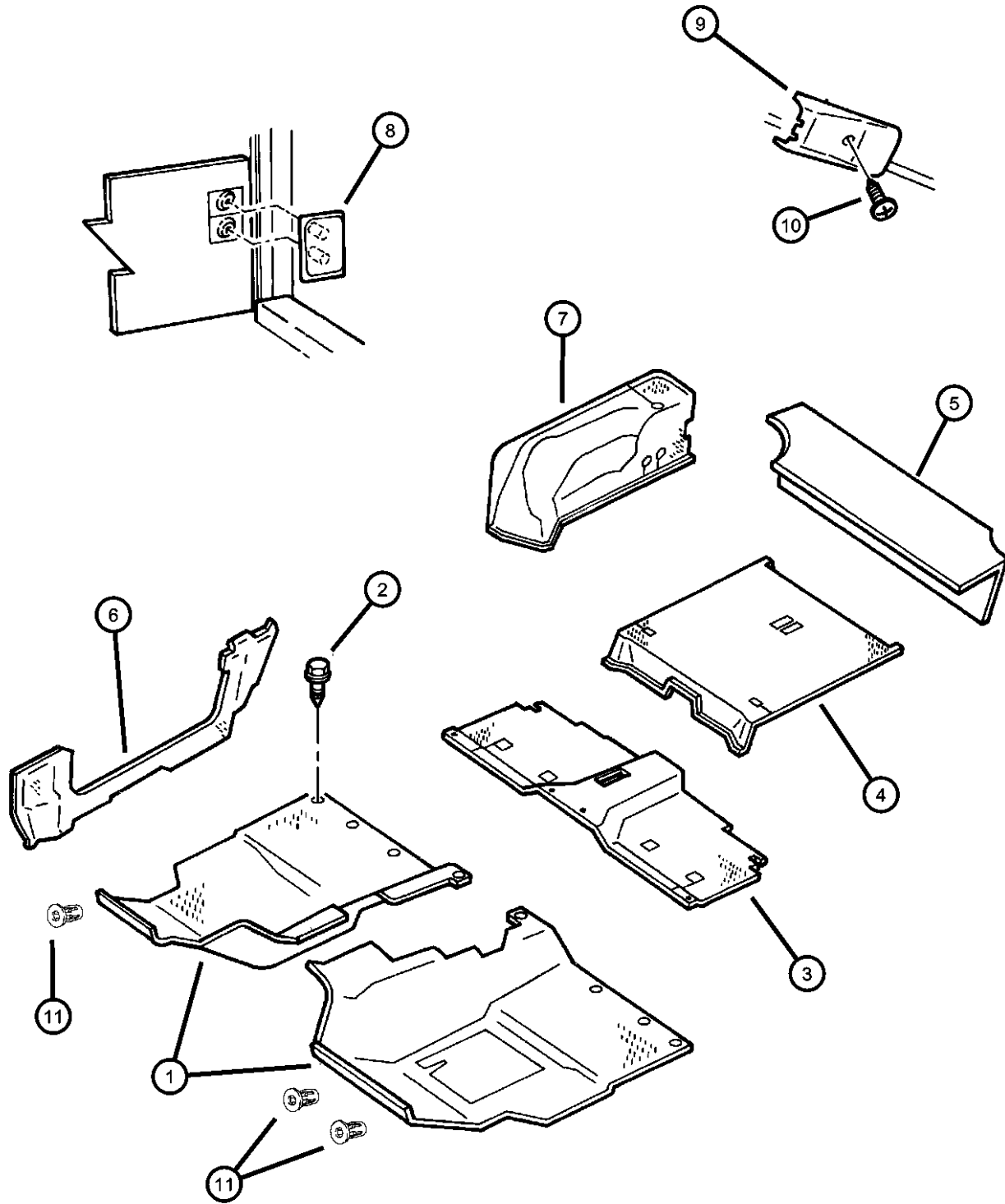
ENGINE
EPE = ENGINE - 2.5L POWER TECH I-4 Cyl.
ERH = ENGINE - 4.0L POWER TECH I-6

TRANSMISSION
DDD = TRANSMISSION - 5-SPEED HD MANUAL
DDQ = TRANSMISSION - 5-SPEED MANUAL
DGD = TRANSMISSION - 3-SPD. AUTOMATIC,30RH
DGG = TRANSMISSION - 3-SPD. AUTOMATIC,32RH
DG0 = All Automatic Transmissions
DBB = All Manual Transmissions
DD0 = All 5 Speed Manual Transmissions

AR = use ase required - = Non illustrated part

**Carpets And Interior Trim Panels
Figure ITJ-310**

ITEM	PART NUMBER	QTY	LINE	SERIES	BODY	ENGINE	TRANS	TRIM	DESCRIPTION
8	5FV17VK9AD	1							COVER, Wheelhouse Carpet, (NOT REQUIRED),
9	55217099	1							COVER, Contact Button
10	55217099	1							SCREW, .164-18x.500, (NOT SERVICED)
11									NUT, Push On
	06503274	5	U						
		4	J						



WRANGLER (TJ)

SERIES	LINE
H = Sport	J = Wrangler 4WD
L = SE	U = Wrangler 4WD (RHD)
P = Sahara	

BODY
77 = 93.4 WB

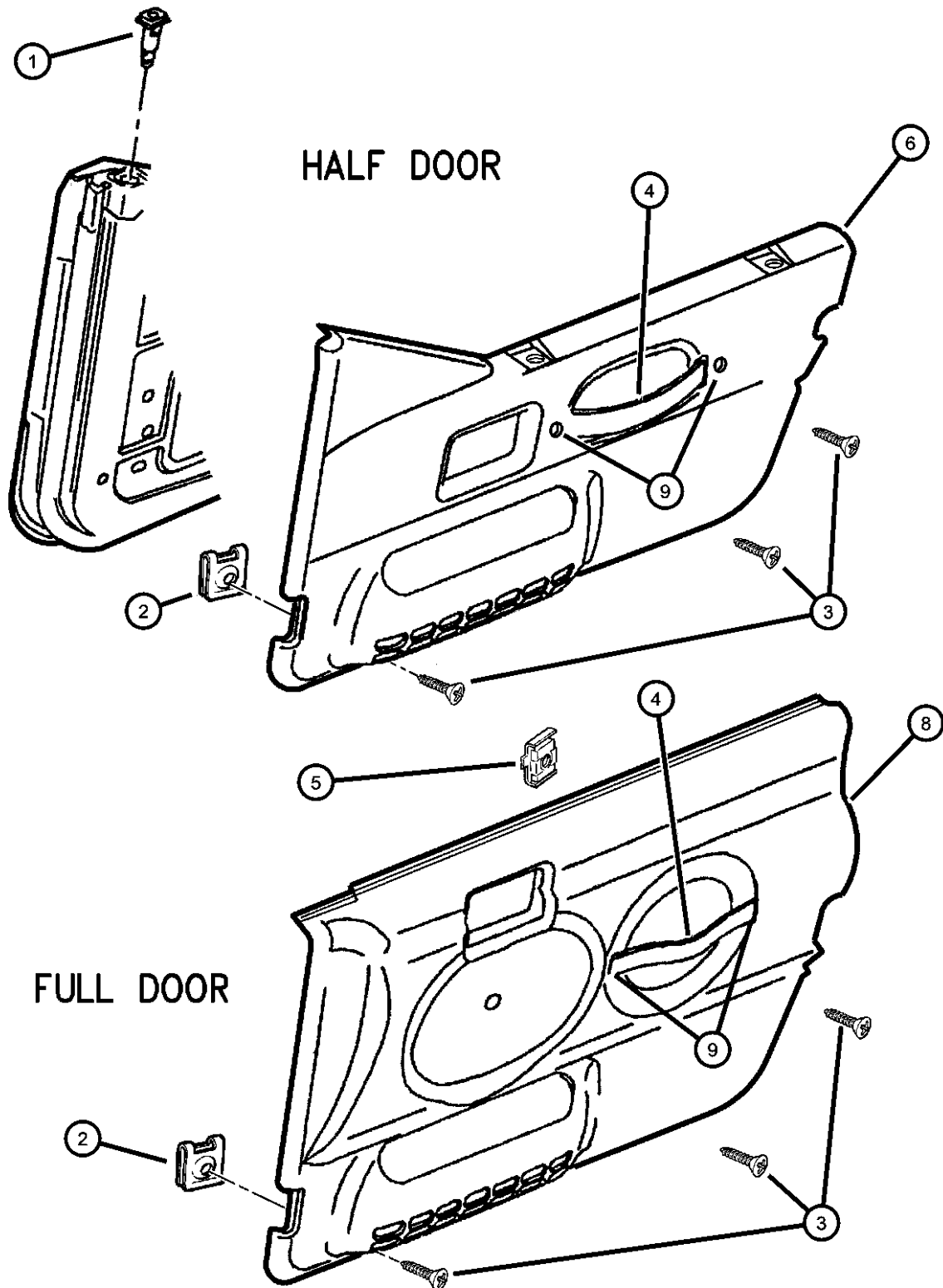
ENGINE
EPE = ENGINE - 2.5L POWER TECH I-4 Cyl.
ERH = ENGINE - 4.0L POWER TECH I-6

TRANSMISSION
DDD = TRANSMISSION - 5-SPEED HD MANUAL
DDQ = TRANSMISSION - 5-SPEED MANUAL
DGD = TRANSMISSION - 3-SPD. AUTOMATIC,30RH
DGG = TRANSMISSION - 3-SPD. AUTOMATIC,32RH
DG0 = All Automatic Transmissions
DBB = All Manual Transmissions
DD0 = All 5 Speed Manual Transmissions

AR = use ase required - = Non illustrated part

2000 TJ

**Door Trim Panels Half Doors & Full Doors
Figure ITJ-410**



ITEM	PART NUMBER	QTY	LINE	SERIES	BODY	ENGINE	TRANS	TRIM	DESCRIPTION
1	5EJ64LAZ	6						*00	GROMMET, Door Window Stabilizer [AZ]
	5EJ64RK5	6						*00	[KG, K5]
2	34201872	4							NUT, Snap In, M4.2 x 1.41, Door Trim Mounting
3	06504617	6							SCREW, M4.2-1.41x13
4	5ES43TAZ	1						*00	HANDLE, Door Interior
5	06504993AA	4							NUT, Door Pull Strap Mounting
6	5DY641K5AB	1						*00	PANEL, Door Trim [KG, K5], Right
	5DY64LAZAB	1						*00	[AZ], Right
	5DY651K5AB	1						*00	[KG, K5], Left
	5DY65LAZAB	1						*00	[AZ], Left
-7									PIN, Push
	5FP84LAZ	4						*00	[AZ]
	5FP84RK5	4						*00	[KG, K5]
8	5DY661K5	1						*00	PANEL, Door Trim [KG, K5], Right
	5DY66LAZ	1						*00	[AZ], Right
	5DY671K5	1						*00	[KG, K5], Left
	5DY67LAZ	1						*00	[AZ], Left
9	06035747	2						*00	SCREW, M4.2-1.41x13

WRANGLER (TJ)

SERIES LINE
H = Sport J = Wrangler 4WD
L = SE U = Wrangler 4WD (RHD)
P = Sahara

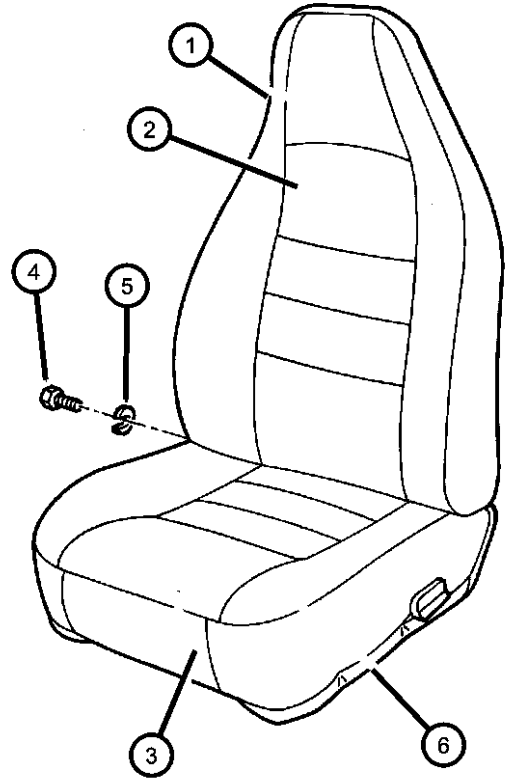
BODY
77 = 93.4 WB

ENGINE
EPE = ENGINE - 2.5L POWER TECH I-4 Cyl.
ERH = ENGINE - 4.0L POWER TECH I-6

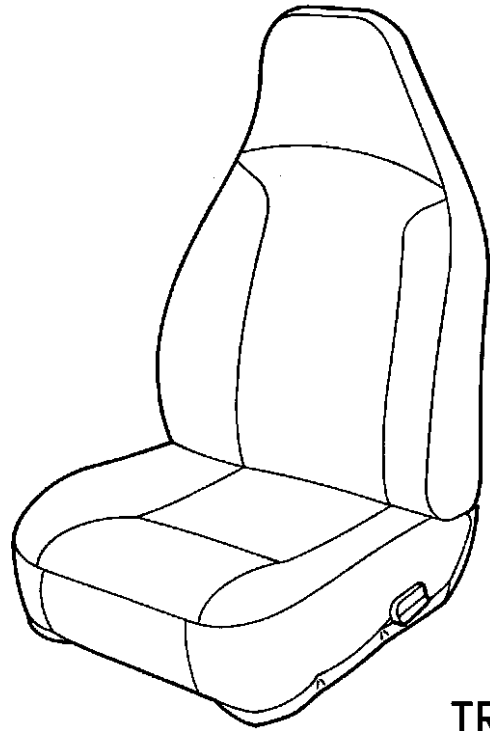
TRANSMISSION
DDD = TRANSMISSION - 5-SPEED HD MANUAL
DDQ = TRANSMISSION - 5-SPEED MANUAL
DGD = TRANSMISSION - 3-SPD. AUTOMATIC,30RH
DGG = TRANSMISSION - 3-SPD. AUTOMATIC,32RH
DGO = All Automatic Transmissions
DBB = All Manual Transmissions
DD0 = All 5 Speed Manual Transmissions

AR = use ase required - = Non illustrated part

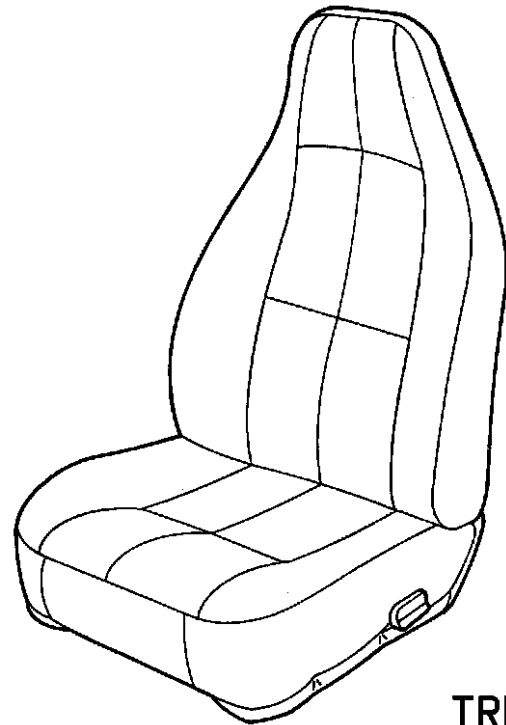
Front Seats
Figure ITJ-510



TRIM D6 & J6



TRIM K5



TRIM M5

ITEM	PART NUMBER	QTY	LINE	SERIES	BODY	ENGINE	TRANS	TRIM	DESCRIPTION
1									SEAT BACK, Front
	0SG661KGAA	1						*M5	[KG], Up to 5-15-00, Passenger
	0SG671KGAA	1						*M5	[KG], Up to 5-15-00, Driver
	0SG681KGAA	1	U					*M5	[KG], Up to 5-15-00, Passenger, Export
		1	J					*M5	[KG], Up to 5-15-00, Passenger, Export
	0SG701AZAA	1						*D6	[AZ], Up to 5-15-00, Passenger
		1						*J6	[AZ], Up to 5-15-00, Passenger
	0SG701K5AA	1						*D6	[K5], Up to 5-15-00, Passenger
		1						*J6	[K5], Up to 5-15-00, Passenger
	0SG711AZAA	1						*D6	[AZ], Up to 5-15-00, Driver
		1						*J6	[AZ], Driver
	0SG711K5AA	1						*D6	[K5], Up to 5-15-00, Driver
		1						*J6	[K5], Driver
	0SG721AZAA	1	J					*J6	[AZ], Up to 5-15-00, Passenger, Export
	0SG721K5AA	1	J					*J6	[K5], Up to 5-15-00, Passenger, Export
	0SG731AZAA	1	J					*J6	[AZ], Up to 5-15-00, Driver, Export
	0SG731K5AA	1	J					*J6	[K5], Up to 5-15-00, Driver, Export
	0SG761AZAA	1						*K5	[AZ], Up to 5-15-00, Passenger
	0SG761K5AA	1						*K5	[K5], Up to 5-15-00, Passenger
	0SG771AZAA	1						*K5	[AZ], Up to 5-15-00, Driver
		1	U					*J6	[AZ], Up to 5-15-00, Left Hand, Export
	0SG771K5AA	1	U					*J6	[K5], Up to 5-15-00, Left Hand, Export
		1						*K5	[K5], Up to 5-15-00, Driver
	0SG781AZAA	1	J					*K5	[AZ], Up to 5-15-00, Passenger, Export
		1	U					*J6	[AZ], Up to 5-15-00, Right Hand, Export
		1	U					*K5	[AZ], Up to 5-15-00, Passenger, Export

WRANGLER (TJ)

SERIES

H = Sport
L = SE
P = Sahara

LINE

J = Wrangler 4WD
U = Wrangler 4WD (RHD)

BODY

77 = 93.4 WB

ENGINE

EPE = ENGINE - 2.5L POWER TECH I-4 Cyl.
ERH = ENGINE - 4.0L POWER TECH I-6

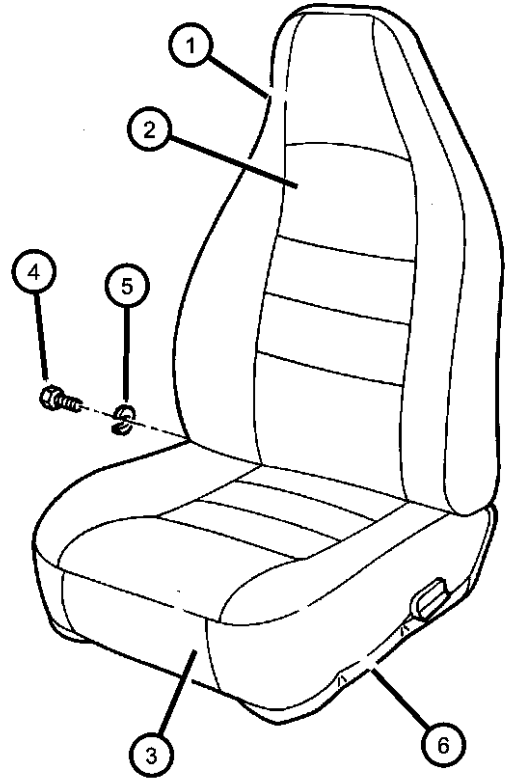
TRANSMISSION

DDD = TRANSMISSION - 5-SPEED HD MANUAL
DDQ = TRANSMISSION - 5-SPEED MANUAL
DGD = TRANSMISSION - 3-SPD. AUTOMATIC,30RH
DGG = TRANSMISSION - 3-SPD. AUTOMATIC,32RH
DGO = All Automatic Transmissions
DBB = All Manual Transmissions
DD0 = All 5 Speed Manual Transmissions

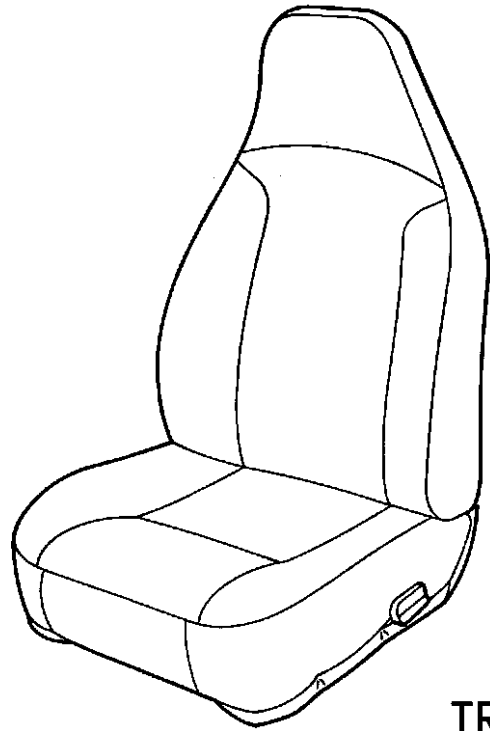
AR = use ase required - = Non illustrated part

2000 TJ

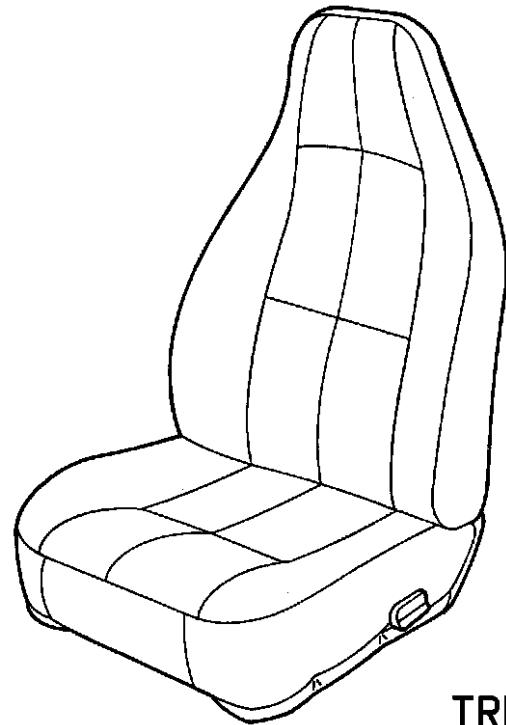
Front Seats
Figure ITJ-510



TRIM D6 & J6



TRIM K5



TRIM M5

ITEM	PART NUMBER	QTY	LINE	SERIES	BODY	ENGINE	TRANS	TRIM	DESCRIPTION
	0SG781K5AA	1	U					*J6	[K5], Up to 5-15-00, Right Hand, Export
		1	U					*K5	[K5], Up to 5-15-00, Passenger, Export
		1	J					*K5	[K5], Up to 5-15-00, Passenger, Export
	0UP501KGAA	1						*M5	[KG], After 5-15-00, Driver
	0UP511KGAA	1						*M5	[KG], After 5-15-00, Passenger
	0UP521AZAA	1						*J6	[AZ], After 5-15-00, Passenger
		1	U					*J6	[AZ], After 5-15-00, Right Hand, Export
		1						*D6	[AZ], After 5-15-00, Passenger
	0UP521K5AA	1						*J6	[K5], After 5-15-00, Passenger
		1	U					*J6	[K5], After 5-15-00, Right Hand, Export
		1						*D6	[K5], After 5-15-00, Passenger
	0UP531AZAA	1	J					*J6	[AZ], After 5-15-00, Driver, Export
		1	U					*J6	[AZ], After 5-15-00, Left Hand, Export
	0UP531K5AA	1	J					*J6	[K5], After 5-15-00, Driver, Export
		1	U					*J6	[K5], After 5-15-00, Left Hand, Export
	0UP541AZAA	1						*K5	[AZ], After 5-15-00, Passenger
	0UP541K5AA	1						*K5	[K5], After 5-15-00, Passenger
	0UP551AZAA	1						*K5	[AZ], After 5-15-00, Driver
	0UP551K5AA	1						*K5	[K5], After 5-15-00, Driver
2									COVER, Front Seat Back
	0SG791AZAA	1	J					*J6	[AZ], Driver, Export
	0SG791K5AA	1	J					*J6	[K5], Driver, Export
	0SG801KGAA	1						*M5	[KG], Passenger
	0SG811KGAA	1						*M5	[KG], Driver
	0SG821AZAA	1						*D6	[AZ], Passenger
		1						*J6	[AZ], Passenger

WRANGLER (TJ)

SERIES

H = Sport
L = SE
P = Sahara

LINE

J = Wrangler 4WD
U = Wrangler 4WD (RHD)

BODY

77 = 93.4 WB

ENGINE

EPE = ENGINE - 2.5L POWER TECH I-4 Cyl.
ERH = ENGINE - 4.0L POWER TECH I-6

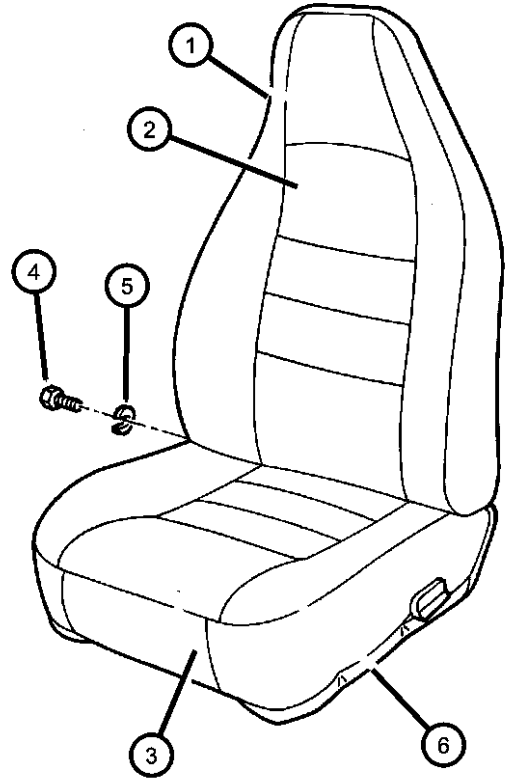
TRANSMISSION

DDD = TRANSMISSION - 5-SPEED HD MANUAL
DDQ = TRANSMISSION - 5-SPEED MANUAL
DGD = TRANSMISSION - 3-SPD. AUTOMATIC,30RH
DGG = TRANSMISSION - 3-SPD. AUTOMATIC,32RH
DGO = All Automatic Transmissions
DBB = All Manual Transmissions
DD0 = All 5 Speed Manual Transmissions

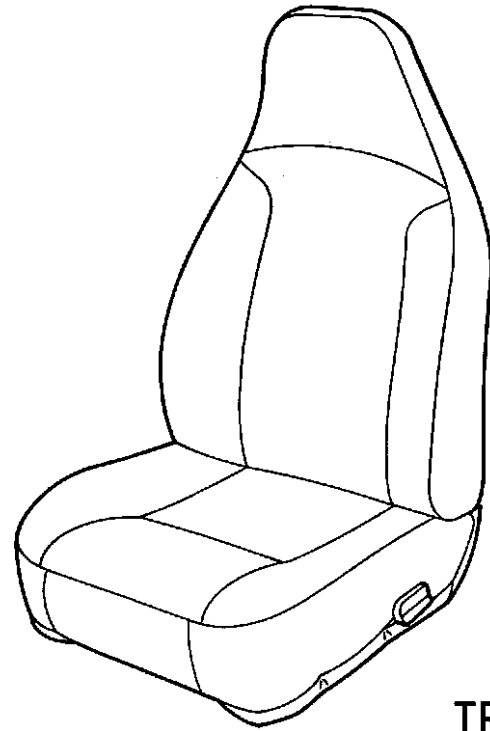
AR = use ase required - = Non illustrated part

2000 TJ

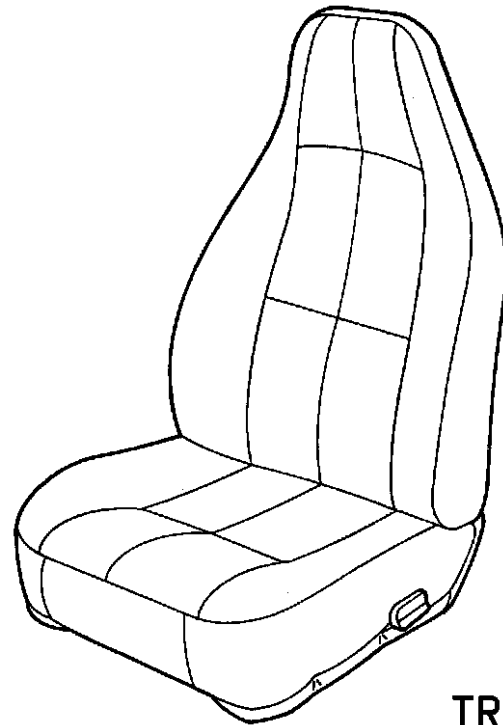
Front Seats
Figure ITJ-510



TRIM D6 & J6



TRIM K5



TRIM M5

ITEM	PART NUMBER	QTY	LINE	SERIES	BODY	ENGINE	TRANS	TRIM	DESCRIPTION
	0SG821K5AA	1						*D6	[K5], Passenger
		1						*J6	[K5], Passenger
	0SG831AZAA	1						*D6	[AZ], Driver
		1						*J6	[AZ], Driver
	0SG831K5AA	1						*D6	[K5], Driver
		1						*J6	[K5], Driver
	0SG841AZAA	1						*K5	[AZ], Passenger
		1	U					*J6	[AZ], Passenger
	0SG841K5AA	1						*J6	[K5], Passenger
		1						*K5	[K5], Passenger
	0SG851AZAA	1						*K5	[AZ], Driver
		1	U					*J6	[AZ], Driver
	0SG851K5AA	1						*J6	[K5], Driver
		1	U					*K5	[K5], Driver
3									COVER AND PAD, Cushion
	0PY521KG	1						*M5	[KG], Right
	0PY531KG	1						*M5	[KG], Left
	0PY581AZ	1						*K5	[AZ], Right
		1	U					*J6	[AZ], Right
	0PY581K5	1						*J6	[K5], Right
		1	U					*K5	[K5], Right
	0PY591AZ	1						*K5	[AZ], Left
		1	U					*J6	[AZ], Left
	0PY591K5	1						*J6	[K5], Left
		1	U					*K5	[K5], Left
	0RZ661AZAA	1						*D6	[AZ], Right
		1						*J6	[AZ], Right
	0RZ661K5AA	1						*D6	[K5], Right
		1						*J6	[K5], Right
	0RZ671AZAA	1						*D6	[AZ], Left

WRANGLER (TJ)

SERIES

H = Sport
L = SE
P = Sahara

LINE

J = Wrangler 4WD
U = Wrangler 4WD (RHD)

BODY

77 = 93.4 WB

ENGINE

EPE = ENGINE - 2.5L POWER TECH I-4 Cyl.
ERH = ENGINE - 4.0L POWER TECH I-6

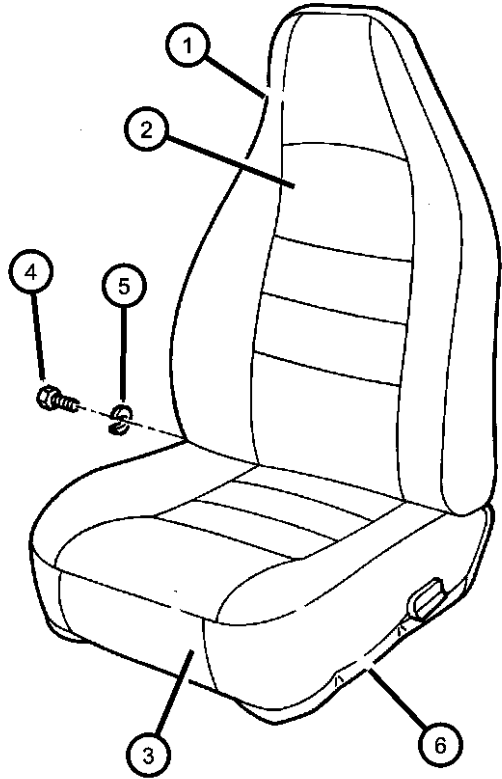
TRANSMISSION

DDD = TRANSMISSION - 5-SPEED HD MANUAL
DDQ = TRANSMISSION - 5-SPEED MANUAL
DGD = TRANSMISSION - 3-SPD. AUTOMATIC,30RH
DGG = TRANSMISSION - 3-SPD. AUTOMATIC,32RH
DG0 = All Automatic Transmissions
DBB = All Manual Transmissions
DD0 = All 5 Speed Manual Transmissions

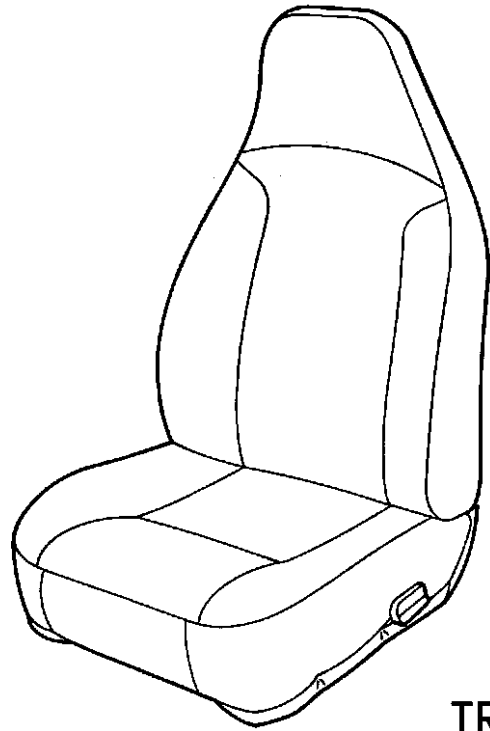
AR = use ase required - = Non illustrated part

2000 TJ

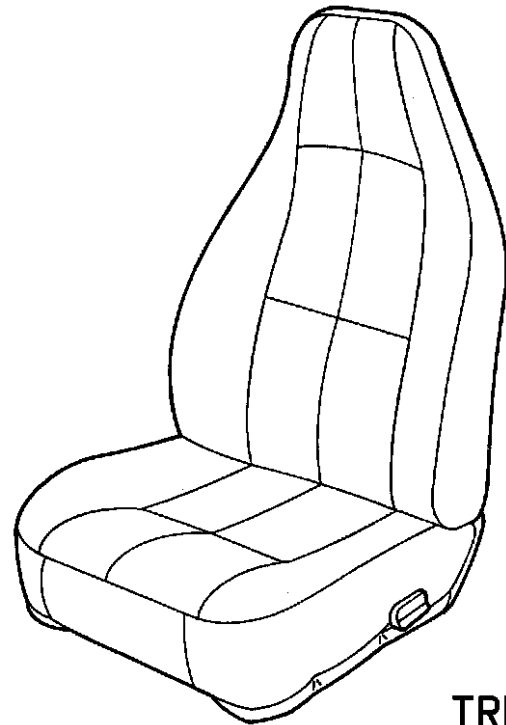
Front Seats
Figure ITJ-510



TRIM D6 & J6



TRIM K5



TRIM M5

ITEM	PART NUMBER	QTY	LINE	SERIES	BODY	ENGINE	TRANS	TRIM	DESCRIPTION
		1						*J6	[AZ], Left
	0RZ671K5AA	1						*D6	[K5], Left
		1						*J6	[K5], Left
4									BOLT, Shoulder, I.B.-Back To Cushion-Pivot
	04797554	1						*J6	
		1	U					*M5	
		1						*K5	
		1						*D6	
5									U-NUT, Seat Back
	04713982	1						*D6	Without Easy Entry
		1						*J6	Without Easy Entry
		1	J					*M5	Without Easy Entry
		1	U					*M5	Without Easy Entry
		1						*K5	Without Easy Entry
	04874145	1						*D6	With Easy Entry
		1						*J6	With Easy Entry
		1						*M5	With Easy Entry
		1						*K5	With Easy Entry
6									FRAME, Front Seat
	05012160AA	1						*M5	Right
		1						*K5	Right
		1						*D6	Right
		1						*J6	Right
	05012161AA	1						*M5	Left
		1						*K5	Left
		1						*D6	Left
		1						*J6	Left
-7	06502137	2							BOLT, Hex Flange Head, M10x1.50x35

WRANGLER (TJ)

SERIES

H = Sport
L = SE
P = Sahara

LINE

J = Wrangler 4WD
U = Wrangler 4WD (RHD)

BODY

77 = 93.4 WB

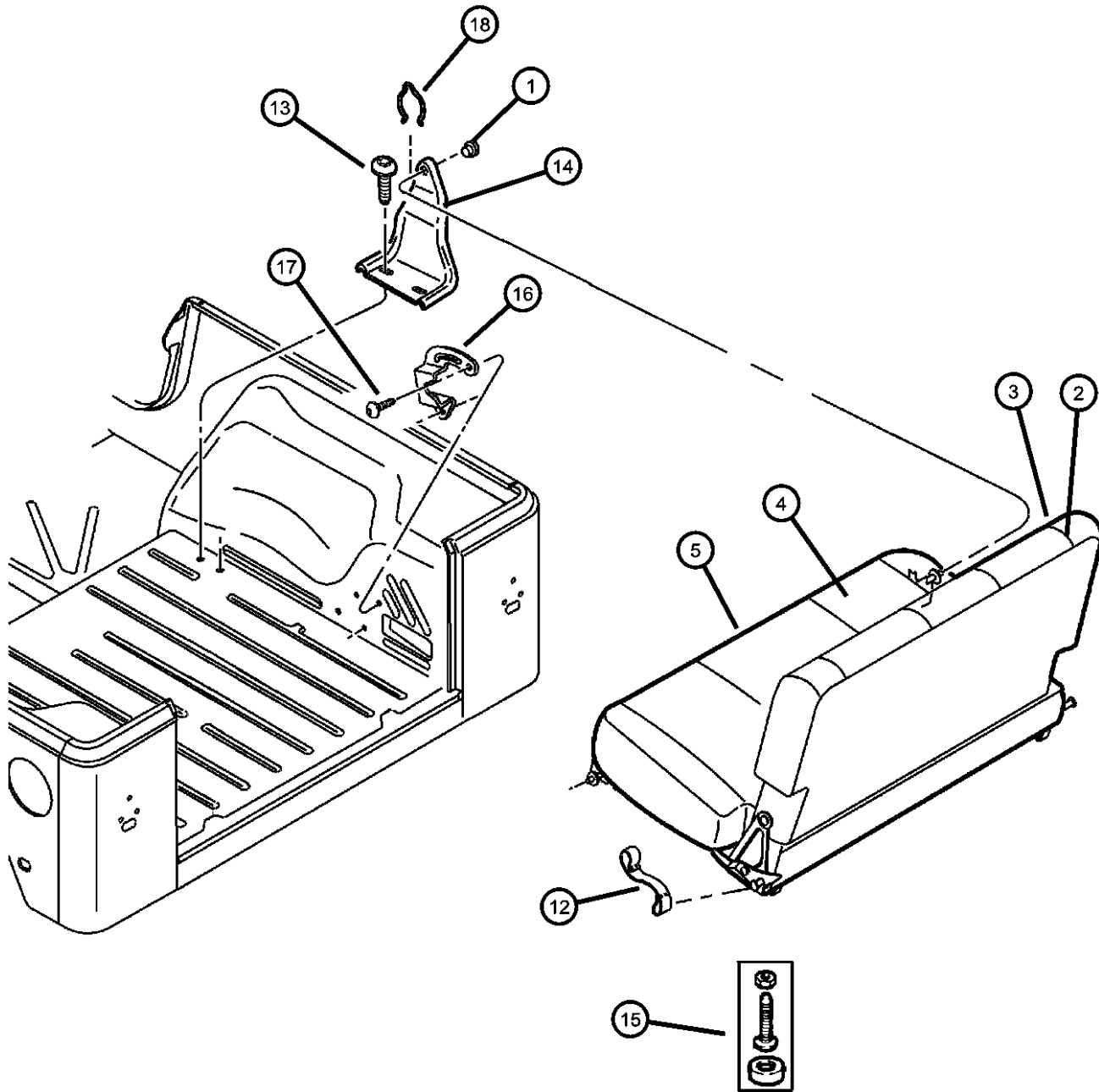
ENGINE

EPE = ENGINE - 2.5L POWER TECH I-4 Cyl.
ERH = ENGINE - 4.0L POWER TECH I-6

TRANSMISSION

DDD = TRANSMISSION - 5-SPEED HD MANUAL
DDQ = TRANSMISSION - 5-SPEED MANUAL
DGD = TRANSMISSION - 3-SPD. AUTOMATIC,30RH
DGG = TRANSMISSION - 3-SPD. AUTOMATIC,32RH
DG0 = All Automatic Transmissions
DBB = All Manual Transmissions
DD0 = All 5 Speed Manual Transmissions

**Seat Assemblies, Seat Covers Rear Seat
Figure ITJ-610**



ITEM	PART NUMBER	QTY	LINE	SERIES	BODY	ENGINE	TRANS	TRIM	DESCRIPTION
1	05103469AA	1							BUSHING, Pivot
2									COVER, Rear Seat Back
	0PY701KG	1						*M5	[KG]
	0PY831AZ	1	U					*J6	[AZ], Export
		1						*K5	[AZ]
	0PY831K5	1	U					*J6	[K5], Export
		1						*K5	[K5]
	0PY871AZ	1						*J6	[AZ]
	0PY871K5	1						*J6	[K5]
3									SEAT BACK, Rear
	0PY431KG	1						*M5	[KG]
	0PY481AZ	1	U					*J6	[AZ], Export
		1						*K5	[AZ]
	0PY481K5	1	U					*J6	[K5], Export
		1						*K5	[K5]
	0PY501AZ	1						*J6	[AZ]
	0PY501K5	1						*J6	[K5]
4									COVER, Rear Seat Cushion
	0RH471AZAA	1						*K5	[AZ]
		1	U					*J6	[AZ], Export
	0RH471K5AA	1	U					*J6	[K5], Export
		1						*K5	[K5]
	0RH481AZAA	1						*J6	[AZ]
	0RH481K5AA	1						*J6	[K5]
5									CUSHION, Rear Seat
	0TP371KGAA	1						*M5	[KG]
	0TP381AZAA	1						*K5	[AZ]
		1	U					*J6	[AZ], Export
	0TP381K5AA	1						*K5	[K5]
		1	U					*J6	[K5], Export

WRANGLER (TJ)

SERIES LINE
H = Sport J = Wrangler 4WD
L = SE U = Wrangler 4WD (RHD)
P = Sahara

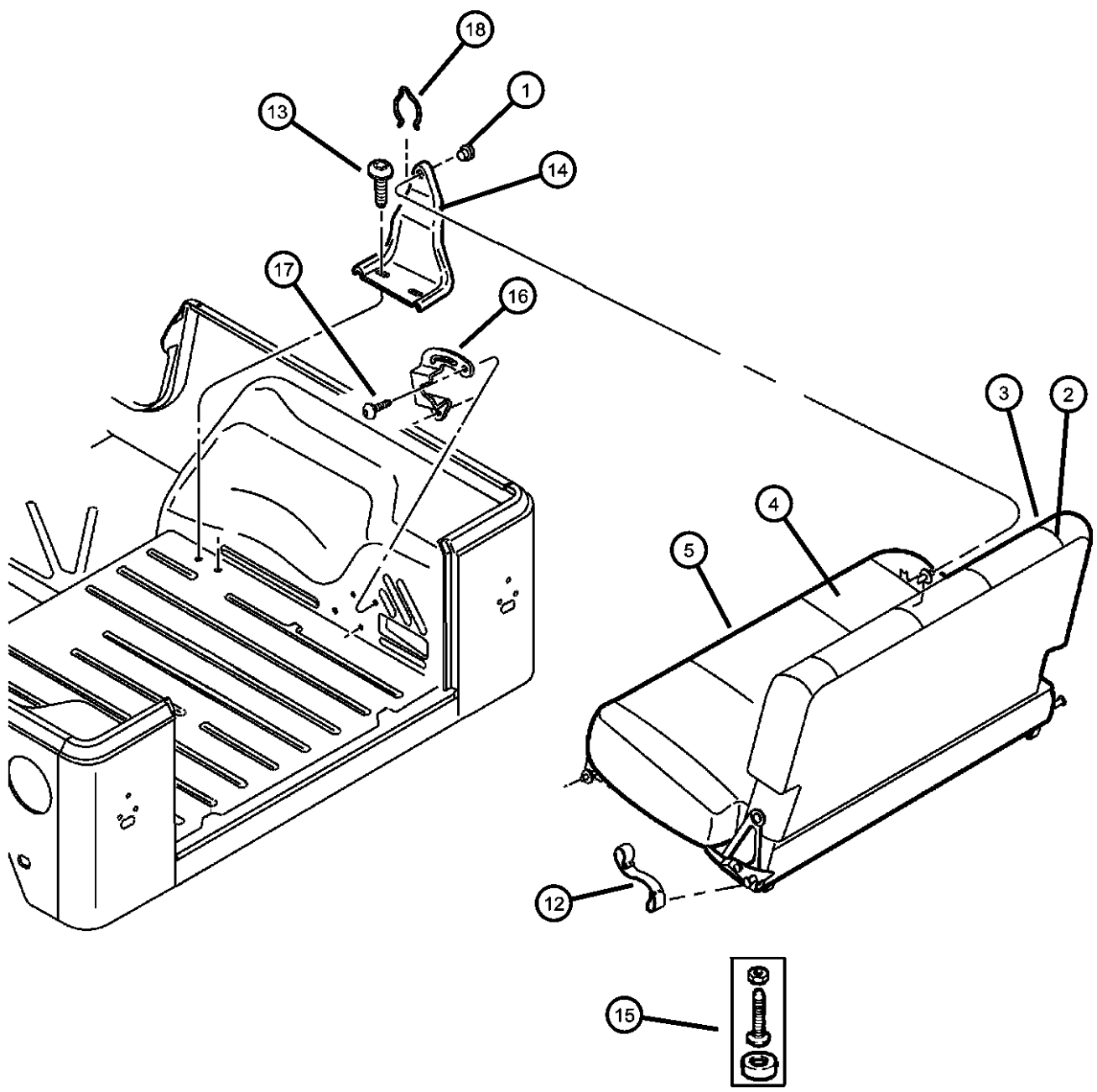
BODY
77 = 93.4 WB

ENGINE
EPE = ENGINE - 2.5L POWER
TECH I-4 Cyl.
ERH = ENGINE - 4.0L
POWER TECH I-6

TRANSMISSION
DDD = TRANSMISSION - 5-SPEED
HD MANUAL
DDQ = TRANSMISSION - 5-SPEED
MANUAL
DGD = TRANSMISSION - 3-SPD.
AUTOMATIC,30RH
DGG = TRANSMISSION - 3-SPD.
AUTOMATIC,32RH
DG0 = All Automatic Transmissions
DBB = All Manual Transmissions
DD0 = All 5 Speed Manual
Transmissions

AR = use ase required - = Non illustrated part

**Seat Assemblies, Seat Covers Rear Seat
Figure ITJ-610**



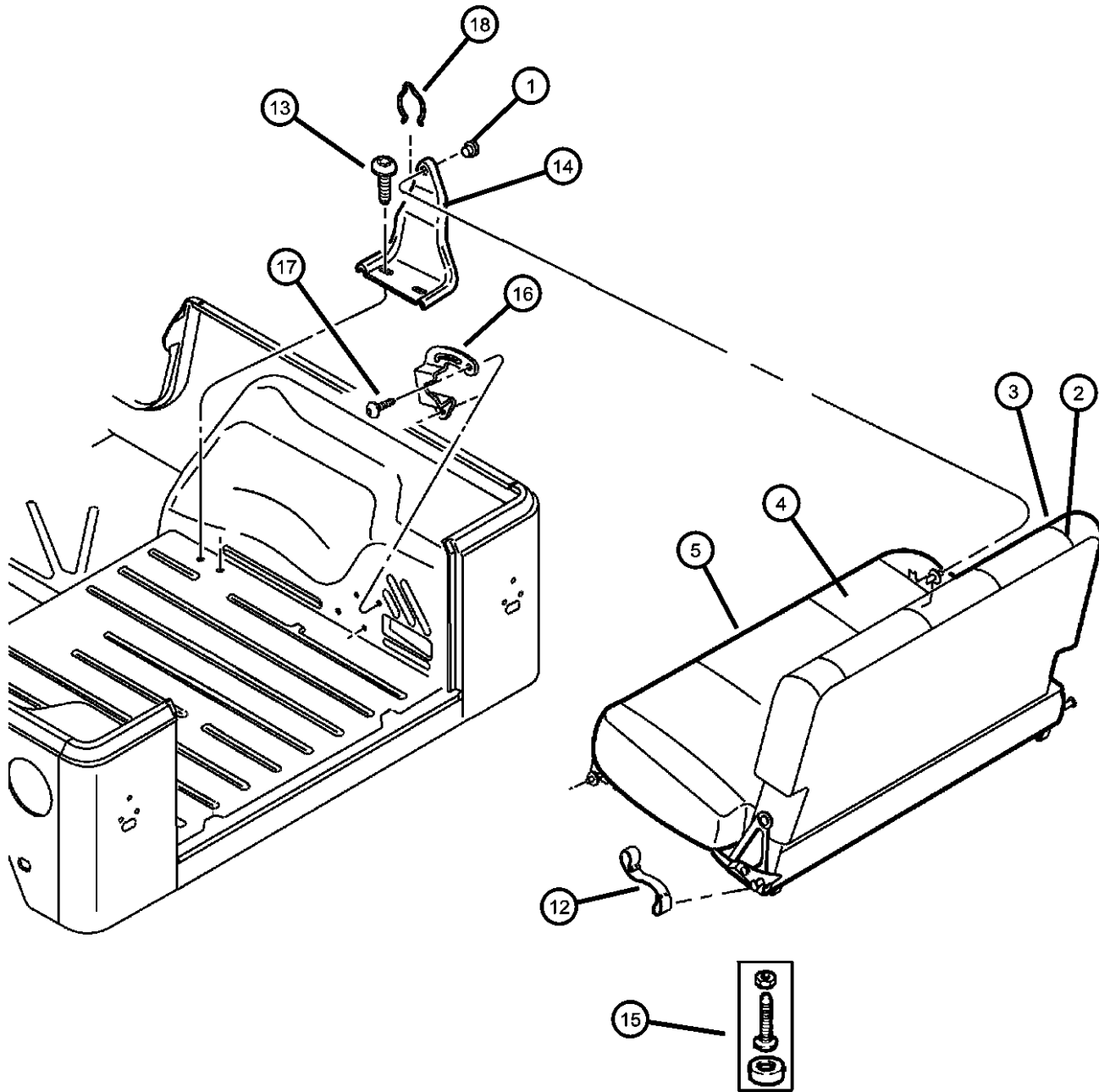
ITEM	PART NUMBER	QTY	LINE	SERIES	BODY	ENGINE	TRANS	TRIM	DESCRIPTION
	0TP391AZAA	1						*J6	[AZ]
	0TP391K5AA	1						*J6	[K5]
-6									LEVER, Rear Seat Release
	04713794	1						*J6	
		1						*K5	
		1						*M5	
-7									RIVNUT, Seat Latch Cover, (NOT REQUIRED)
-8									SPRING, Seat Release Lever
	04713795	1						*J6	
		1						*K5	
		1						*M5	
-9									WASHER, Rear Seat Pivot, Black Nylon
	04713799	1						*J6	
		1						*K5	
		1						*M5	
-10									BOLT, Shoulder
	04638585	1						*J6	
		1						*K5	
		1						*M5	
-11									U-NUT, Seat Back, Used with Bolt 4638585
	04713982	1						*D6	
		1						*K5	
		1						*M5	
12	55196450	1							STRAP, Retaining
13	06500664	4							SCREW AND WASHER, Hex Head, M8x1.25x35
14									BRACKET, Rear Seat Pivot
	55217130AB	1							Right
	55217131AB	1							Left

WRANGLER (TJ)							
SERIES	LINE	BODY	ENGINE	TRANSMISSION			
H = Sport	J = Wrangler 4WD	77 = 93.4 WB	EPE = ENGINE - 2.5L POWER TECH I-4 Cyl.	DDD = TRANSMISSION - 5-SPEED HD MANUAL			
L = SE	U = Wrangler 4WD (RHD)		ERH = ENGINE - 4.0L POWER TECH I-6	DDQ = TRANSMISSION - 5-SPEED MANUAL			
P = Sahara				DGD = TRANSMISSION - 3-SPD. AUTOMATIC,30RH			
				DGG = TRANSMISSION - 3-SPD. AUTOMATIC,32RH			
				DG0 = All Automatic Transmissions			
				DBB = All Manual Transmissions			
				DD0 = All 5 Speed Manual Transmissions			

AR = use ase required - = Non illustrated part

**Seat Assemblies, Seat Covers Rear Seat
Figure ITJ-610**

ITEM	PART NUMBER	QTY	LINE	SERIES	BODY	ENGINE	TRANS	TRIM	DESCRIPTION
15	04874151	1						*J6	BUMPER, Seat, Cushion Base
		1						*K5	
		1						*M5	
16	55217128AB	1							BRACKET, Seat Latch
	55217129AB	1							Right
									Left
17	06034564	4							SCREW, Pan Head, .312-18x1
18	06504571	2							PIN, Rear Seat



WRANGLER (TJ)

SERIES LINE

H = Sport

L = SE

P = Sahara

J = Wrangler 4WD

U = Wrangler 4WD (RHD)

BODY

77 = 93.4 WB

ENGINE

EPE = ENGINE - 2.5L POWER TECH I-4 Cyl.

ERH = ENGINE - 4.0L POWER TECH I-6

TRANSMISSION

DDD = TRANSMISSION - 5-SPEED HD MANUAL

DDQ = TRANSMISSION - 5-SPEED MANUAL

DGD = TRANSMISSION - 3-SPD. AUTOMATIC,30RH

DGG = TRANSMISSION - 3-SPD. AUTOMATIC,32RH

DG0 = All Automatic Transmissions

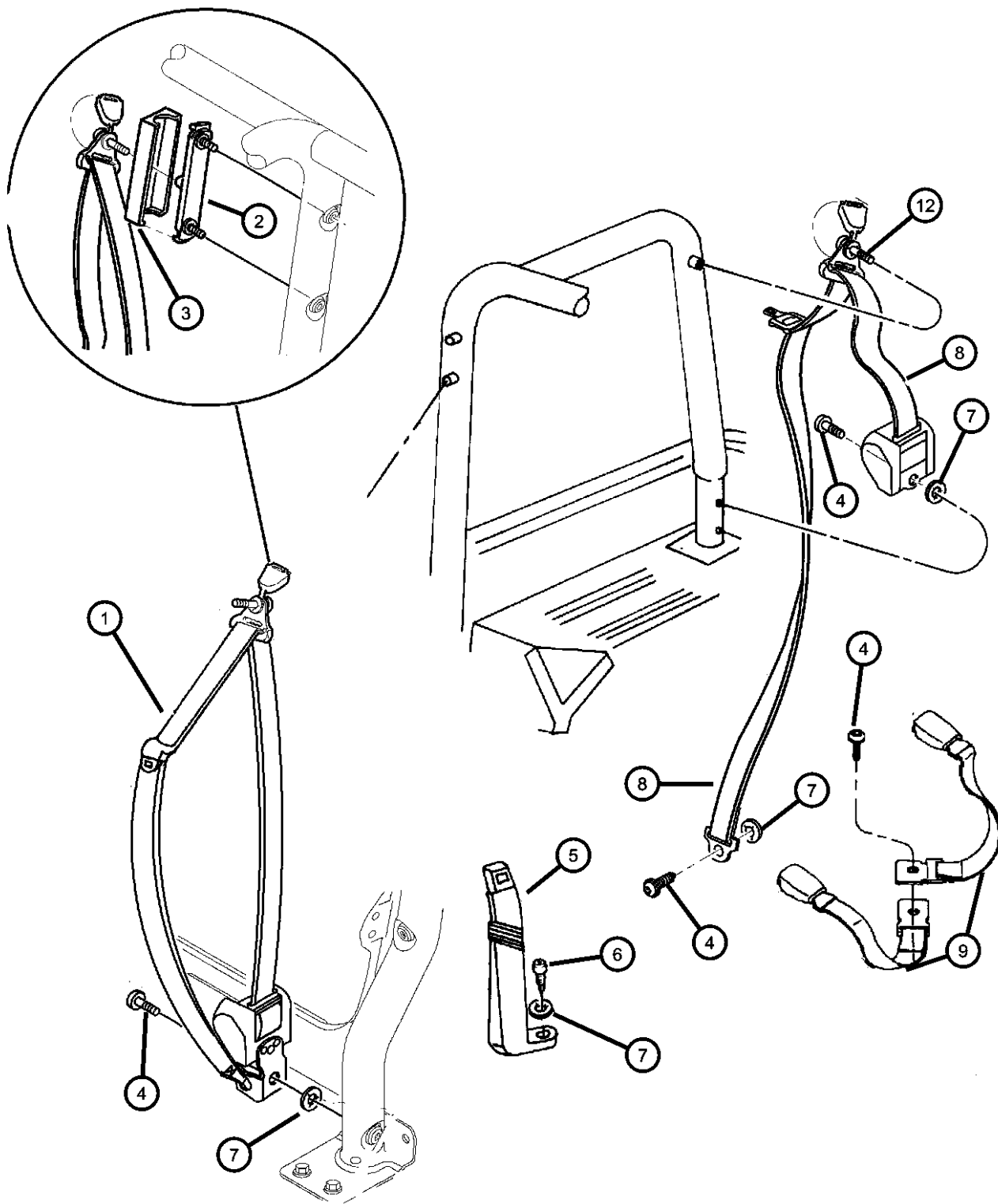
DBB = All Manual Transmissions

DD0 = All 5 Speed Manual Transmissions

AR = use ase required - = Non illustrated part

2000 TJ

Seat Belts
Figure ITJ-710



ITEM	PART NUMBER	QTY	LINE	SERIES	BODY	ENGINE	TRANS	TRIM	DESCRIPTION
1	5EV70LAZAE	1						*O0	SEAT BELT, Front Outer Right
	5EV71LAZAE	1						*O0	Left
	5EV72LAZAD	1						*O0	Right, Export
	5EV73LAZAD	1						*O0	Left, Export
2	55217173AB	2							ADJUSTER, Seat Belt Turning Loop
3	5EZ70TAZ	2						*O0	COVER, Turning Loop
4	06036187AA	2							SCREW, Pan Head
5	5FU06LAZ	1						*D6	SEAT BELT, Buckle Half Right
		1						*J6	Right
		1						*K5	Right
		1						*M5	Right
	5FU07LAZ	1						*D6	Left
		1						*J6	Left
		1						*K5	Left
		1						*M5	Left
	5FU08LAZ	1	J					*J6	Left, Export
		1	J					*K5	Left, Export
		1	J					*M5	Left, Export
		1	U					*J6	Left, Export
		1	U					*K5	Left, Export
		1	U					*M5	Left, Export
	5FV34LAZ	1	U					*J6	Right, Export
		1	U					*K5	Right, Export
		1	U					*M5	Right, Export
6	04874129	1						*D6	BOLT, Seat Belt
		1						*J6	
		1						*K5	

WRANGLER (TJ)

SERIES LINE
 H = Sport J = Wrangler 4WD
 L = SE U = Wrangler 4WD (RHD)
 P = Sahara

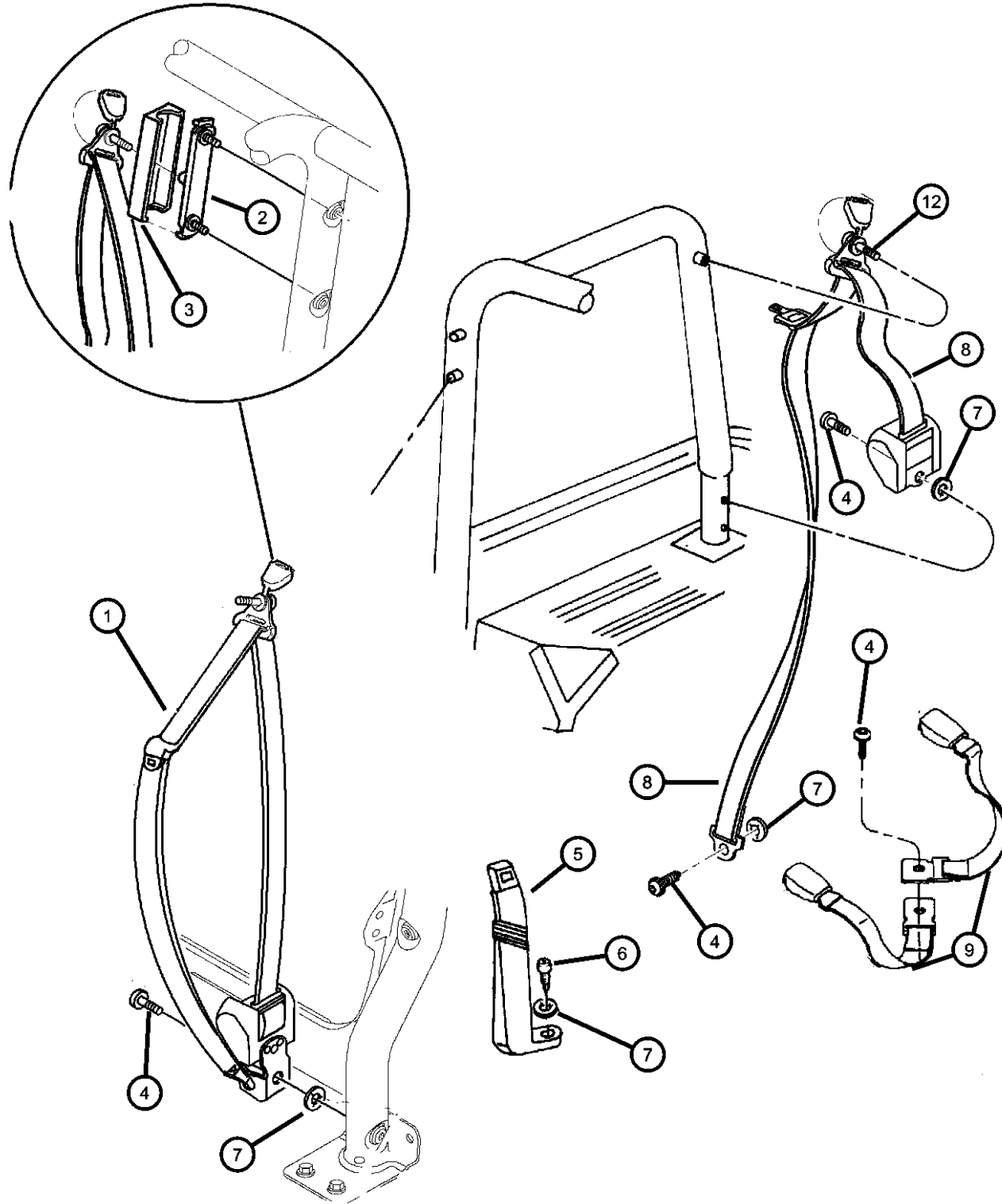
BODY
 77 = 93.4 WB

ENGINE
 EPE = ENGINE - 2.5L POWER
 TECH I-4 Cyl.
 ERH = ENGINE - 4.0L
 POWER TECH I-6

TRANSMISSION
 DDD = TRANSMISSION - 5-SPEED
 HD MANUAL
 DDQ = TRANSMISSION - 5-SPEED
 MANUAL
 DGD = TRANSMISSION - 3-SPD.
 AUTOMATIC,30RH
 DGG = TRANSMISSION - 3-SPD.
 AUTOMATIC,32RH
 DG0 = All Automatic Transmissions
 DBB = All Manual Transmissions
 DD0 = All 5 Speed Manual
 Transmissions

AR = use ase required - = Non illustrated part

**Seat Belts
Figure ITJ-710**



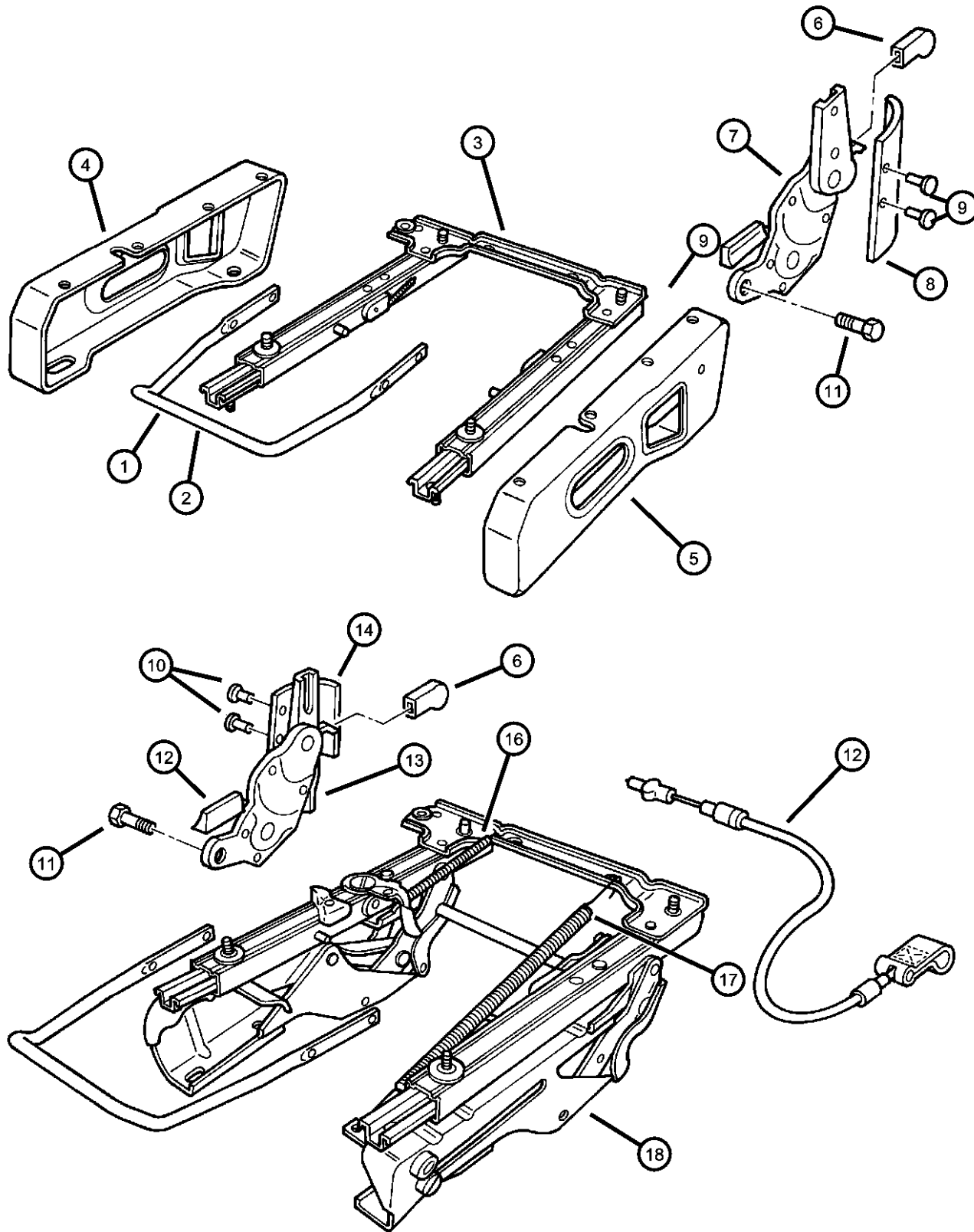
ITEM	PART NUMBER	QTY	LINE	SERIES	BODY	ENGINE	TRANS	TRIM	DESCRIPTION
7		1						*M5	WASHER, Seat Belt Attaching
	04798898	1						*D6	
		1						*J6	
		1						*K5	
		1						*M5	
8									SEAT BELT, Rear Outer
	5EV62LAZAC	2						*O0	
	5EV66LAZAB	2						*O0	Export
9	5FX94LAZAA	1						*O0	SEAT BELT, Buckle Half
-10	04740415	1							EXTENDER, Seat Belt
-11									SCREW, Button Head, .375-24x.62, Front Traveling Inboard Buckle Mounting
	06035115	2						*J6	
		2						*D6	
		2						*K5	
		2						*M5	
12	06036294AA	2						*O0	BOLT, Shoulder

WRANGLER (TJ)

SERIES	LINE	BODY	ENGINE	TRANSMISSION
H = Sport	J = Wrangler 4WD	77 = 93.4 WB	EPE = ENGINE - 2.5L POWER TECH I-4 Cyl.	DDD = TRANSMISSION - 5-SPEED HD MANUAL
L = SE	U = Wrangler 4WD (RHD)		ERH = ENGINE - 4.0L POWER TECH I-6	DDQ = TRANSMISSION - 5-SPEED MANUAL
P = Sahara				DGD = TRANSMISSION - 3-SPD. AUTOMATIC,30RH
				DGG = TRANSMISSION - 3-SPD. AUTOMATIC,32RH
				DG0 = All Automatic Transmissions
				DBB = All Manual Transmissions
				DD0 = All 5 Speed Manual Transmissions

AR = use ase required - = Non illustrated part

Seat Assemblies, Adjusters, Recliners
Figure ITJ-810



ITEM	PART NUMBER	QTY	LINE	SERIES	BODY	ENGINE	TRANS	TRIM	DESCRIPTION
------	-------------	-----	------	--------	------	--------	-------	------	-------------

Sales Code [CAG] = Easy Access Tip and Slide

1	05016742AA	1						*M5	HANDLE, Towel Bar
		1						*K5	Right
		1						*D6	Right
		1						*J6	Right
	05016743AA	1						*M5	Left
		1						*K5	Left
		1						*D6	Left
		1						*J6	Left
2		1							HANDLE, (NOT REQUIRED)
3	04874120	1						*D6	ADJUSTER, Manual Seat
		1						*J6	Without Tip and Slide, Sales Code [CAG], Driver
									Without Tip and Slide, Sales Code [CAG], Driver
4	05014290AA	1						*D6	RISER, Seat
		1						*J6	Inboard, Driver
5	05014291AA	1						*D6	RISER, Seat
		1						*J6	Inboard, Driver
6	04796720	1						*D6	KNOB, Seat Recliner
		1						*J6	Outboard, Driver
		1						*K5	Outboard, Driver
		1						*M5	
7	04874113	1							RECLINER, Front Seat Back
		1						*D6	Up to 5-15-00, Driver
		1						*J6	Up to 5-15-00, Driver
		1						*K5	Up to 5-15-00, Driver

WRANGLER (TJ)

SERIES

H = Sport
L = SE
P = Sahara

LINE

J = Wrangler 4WD
U = Wrangler 4WD (RHD)

BODY

77 = 93.4 WB

ENGINE

EPE = ENGINE - 2.5L POWER TECH I-4 Cyl.
ERH = ENGINE - 4.0L POWER TECH I-6

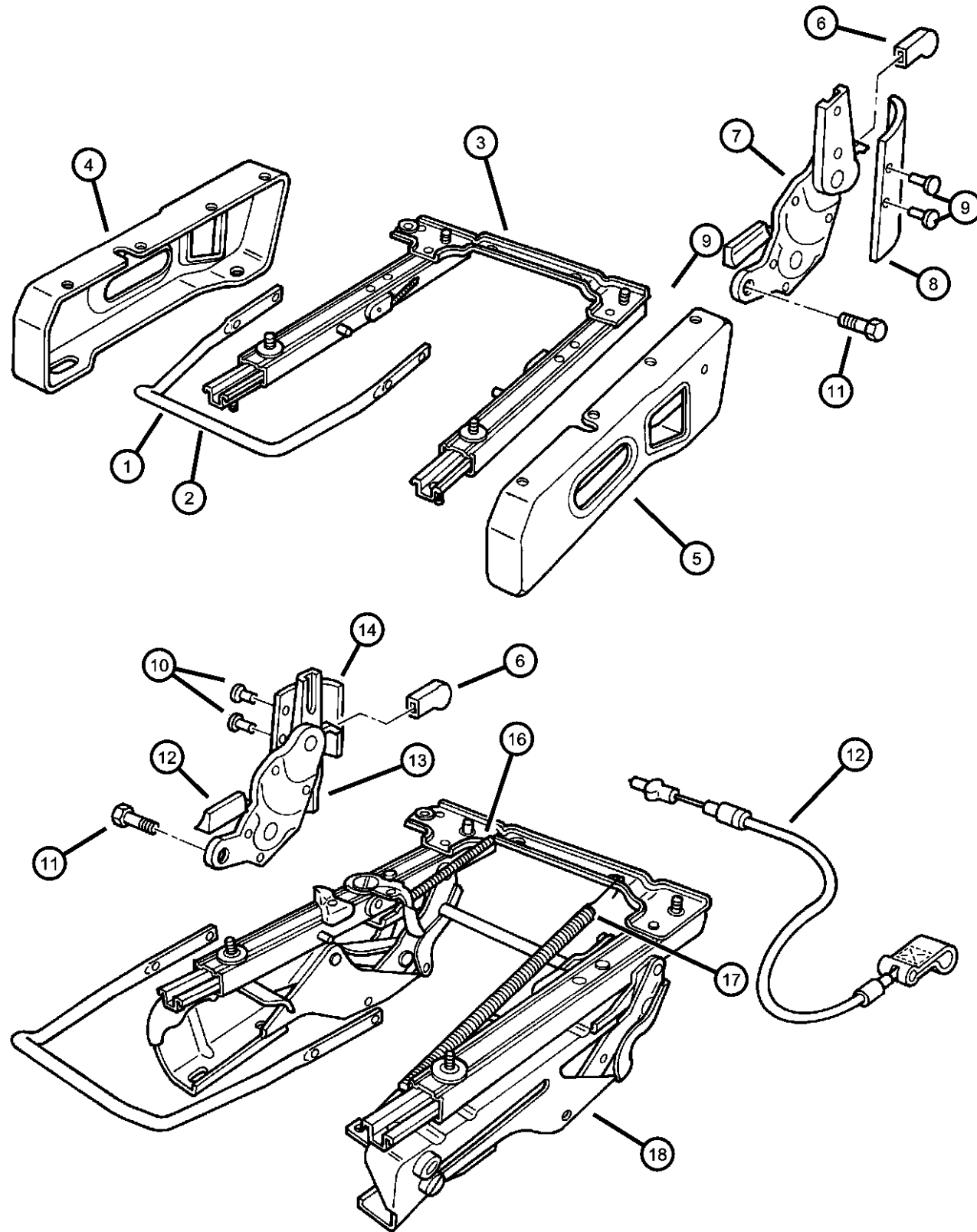
TRANSMISSION

DDD = TRANSMISSION - 5-SPEED HD MANUAL
DDQ = TRANSMISSION - 5-SPEED MANUAL
DGD = TRANSMISSION - 3-SPD. AUTOMATIC,30RH
DGG = TRANSMISSION - 3-SPD. AUTOMATIC,32RH
DG0 = All Automatic Transmissions
DBB = All Manual Transmissions
DD0 = All 5 Speed Manual Transmissions

AR = use ase required - = Non illustrated part

2000 TJ

Seat Assemblies, Adjusters, Recliners
Figure ITJ-810



ITEM	PART NUMBER	QTY	LINE	SERIES	BODY	ENGINE	TRANS	TRIM	DESCRIPTION
		1						*M5	Up to 5-15-00, Driver
	05012149AA	1	J					*J6	Up to 5-15-00, Driver, Export
		1	U					*J6	Up to 5-15-00
		1	U					*K5	Up to 5-15-00
	05019787AA	1	J					*M5	After 5-15-00, Driver
		1						*D6	After 5-15-00, Driver
		1	J					*J6	After 5-15-00, Driver
		1	J					*K5	After 5-15-00, Driver, Export
		1	U					*J6	After 5-15-00, Driver, Export
		1	U					*K5	After 5-15-00
8									SHIELD SIDE, Seat
	04874117	1						*D6	With Easy Entry
		1						*J6	With Easy Entry
		1						*K5	With Easy Entry
		1						*M5	With Easy Entry
9									SCREW, M4.2-1.41x13
	04874111	1						*D6	
		1						*J6	
		1						*K5	
		1						*M5	
10									BOLT, Recliner to Seat Back
	04720768	1						*D6	
		1						*J6	
		1						*K5	
		1						*M5	
11									BOLT, Recliner To Cushion, Front Seat
	04796793	1						*D6	
		1						*J6	
		1						*K5	

WRANGLER (TJ)

SERIES LINE
H = Sport J = Wrangler 4WD
L = SE U = Wrangler 4WD (RHD)
P = Sahara

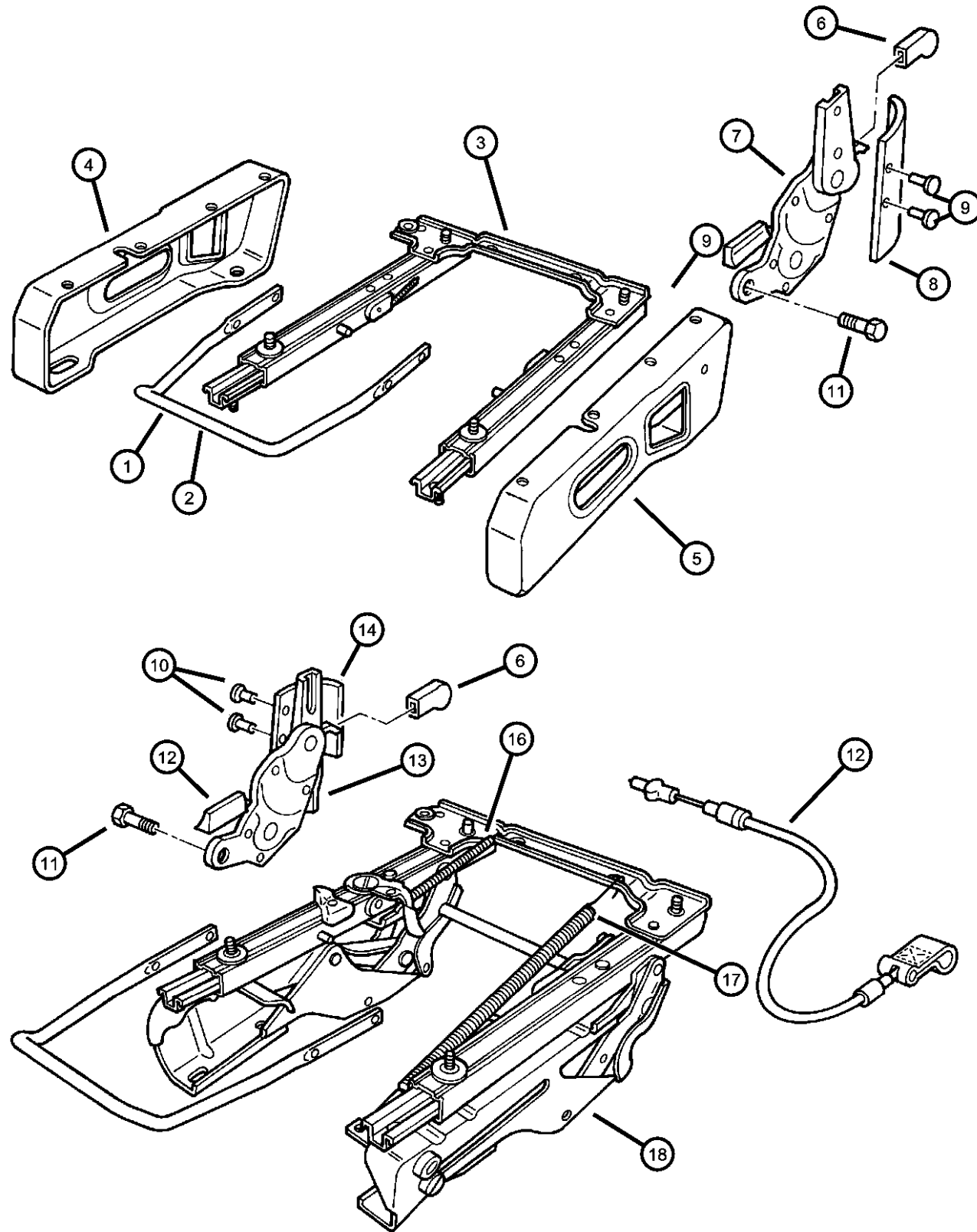
BODY
77 = 93.4 WB

ENGINE
EPE = ENGINE - 2.5L POWER
TECH I-4 Cyl.
ERH = ENGINE - 4.0L
POWER TECH I-6

TRANSMISSION
DDD = TRANSMISSION - 5-SPEED
HD MANUAL
DDQ = TRANSMISSION - 5-SPEED
MANUAL
DGD = TRANSMISSION - 3-SPD.
AUTOMATIC,30RH
DGG = TRANSMISSION - 3-SPD.
AUTOMATIC,32RH
DG0 = All Automatic Transmissions
DBB = All Manual Transmissions
DD0 = All 5 Speed Manual
Transmissions

AR = use ase required - = Non illustrated part

Seat Assemblies, Adjusters, Recliners
Figure ITJ-810



ITEM	PART NUMBER	QTY	LINE	SERIES	BODY	ENGINE	TRANS	TRIM	DESCRIPTION
12		1						*M5	CABLE, Seat Adjuster, Cable and Pull Strap
	05014292AA	1						*D6	Up to 5-15-00, Recliner, Easy Entry
		1						*J6	Up to 5-15-00, Recliner, Easy Entry
		1						*K5	Up to 5-15-00, Recliner, Easy Entry
		1						*M5	Up to 5-15-00, Recliner, Easy Entry
	05019785AA	1	J					*M5	After 5-15-00, Recliner, Easy Entry
		1						*D6	After 5-15-00, Recliner, Easy Entry
		1						*J6	After 5-15-00, Recliner, Easy Entry
		1	J					*K5	After 5-15-00, Recliner, Easy Entry
		1	U					*K5	After 5-15-00, Recliner, Easy Entry
		1	U					*M5	After 5-15-00, Recliner, Easy Entry
13									RECLINER, Front Seat Back
	04874112	1						*D6	Up to 5-15-00, Passenger
		1						*J6	Up to 5-15-00, Passenger
		1						*K5	Up to 5-15-00, Passenger
		1						*M5	Up to 5-15-00, Passenger
	05012148AA	1	J					*J6	Up to 5-15-00, Passenger, Export
		1	U					*J6	Up to 5-15-00, Passenger, Export
		1	U					*K5	Up to 5-15-00, Passenger, Export
	05019786AA	1	J					*M5	After 5-15-00, Passenger
		1						*D6	After 5-15-00, Passenger, Export
		1						*J6	After 5-15-00, Passenger
		1	J					*K5	After 5-15-00, Passenger

WRANGLER (TJ)

SERIES LINE
H = Sport J = Wrangler 4WD
L = SE U = Wrangler 4WD (RHD)
P = Sahara

BODY
77 = 93.4 WB

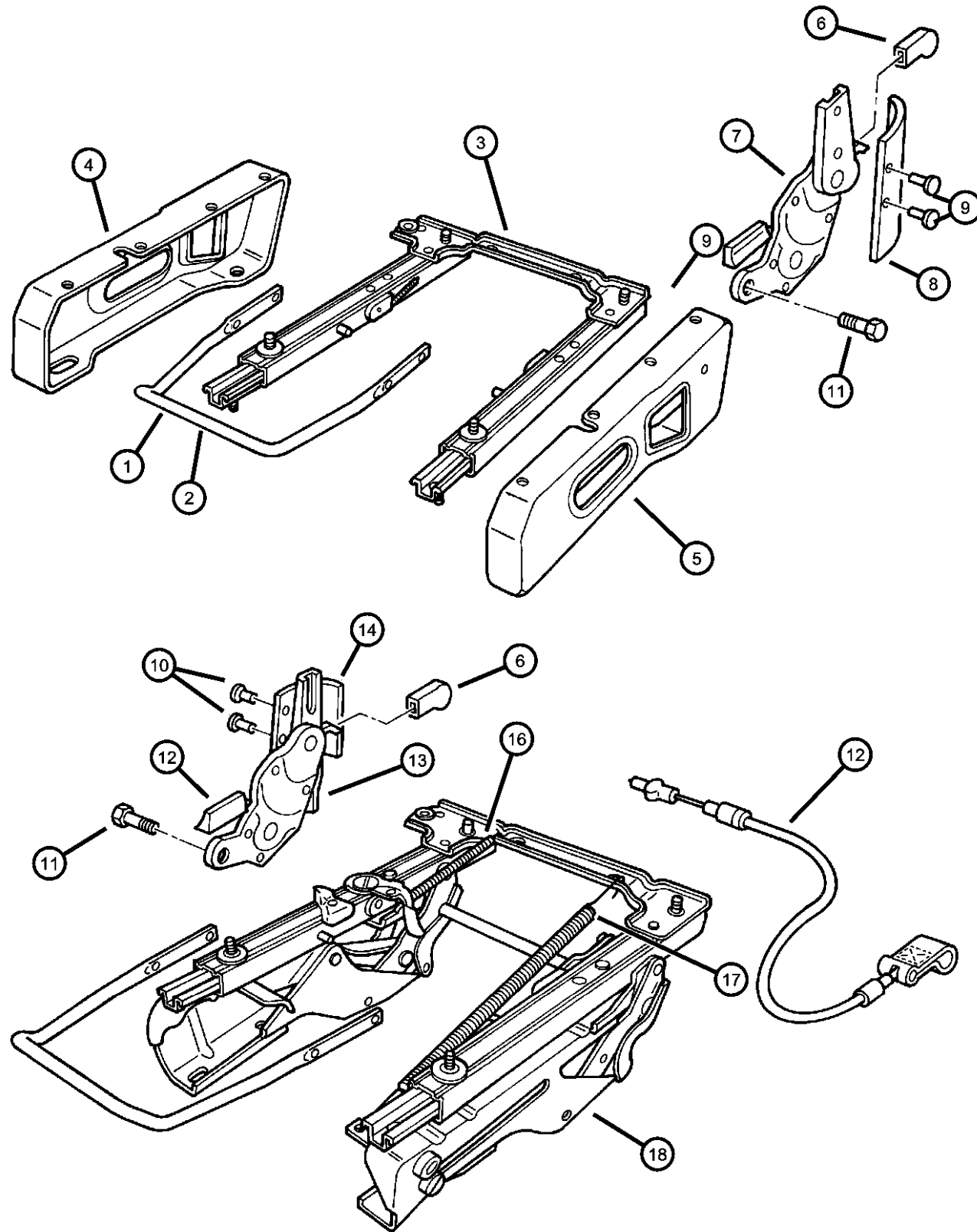
ENGINE
EPE = ENGINE - 2.5L POWER TECH I-4 Cyl.
ERH = ENGINE - 4.0L POWER TECH I-6

TRANSMISSION
DDD = TRANSMISSION - 5-SPEED HD MANUAL
DDQ = TRANSMISSION - 5-SPEED MANUAL
DGD = TRANSMISSION - 3-SPD. AUTOMATIC,30RH
DGG = TRANSMISSION - 3-SPD. AUTOMATIC,32RH
DGO = All Automatic Transmissions
DBB = All Manual Transmissions
DDO = All 5 Speed Manual Transmissions

AR = use ase required - = Non illustrated part

2000 TJ

Seat Assemblies, Adjusters, Recliners
Figure ITJ-810



ITEM	PART NUMBER	QTY	LINE	SERIES	BODY	ENGINE	TRANS	TRIM	DESCRIPTION
		1	U					*K5	After 5-15-00, Passenger, Export
		1	U					*M5	After 5-15-00
14	04874116	1							SHIELD SIDE, Seat
		1						*D6	Easy Entry Cable
		1						*J6	Easy Entry Cable
		1						*K5	Easy Entry Cable
		1						*M5	Easy Entry Cable
-15	04874111	1							SCREW, M4.2-1.41x13
		1						*D6	
		1						*J6	
		1						*K5	
		1						*M5	
16	04874266	1							SPRING, Seat Lever Return
		1						*D6	Short
		1						*J6	Short
		1						*K5	Short
		1						*M5	Short
17	04874267	1							SPRING, Seat Release Lever
		1						*D6	Long
		1						*J6	Long
		2						*K5	Long
		2						*M5	Long
	05012162AA	1	J					*K5	Long, Export
		1	J					*M5	Long, Export
		1	U					*J6	Long, Export
		1	J					*J6	Long, Export
		1	U					*K5	Long, Export
		1	U					*M5	Long, Export
18									ADJUSTER, Manual Seat

WRANGLER (TJ)

SERIES

H = Sport
L = SE
P = Sahara

LINE

J = Wrangler 4WD
U = Wrangler 4WD (RHD)

BODY

77 = 93.4 WB

ENGINE

EPE = ENGINE - 2.5L POWER
TECH I-4 Cyl.
ERH = ENGINE - 4.0L
POWER TECH I-6

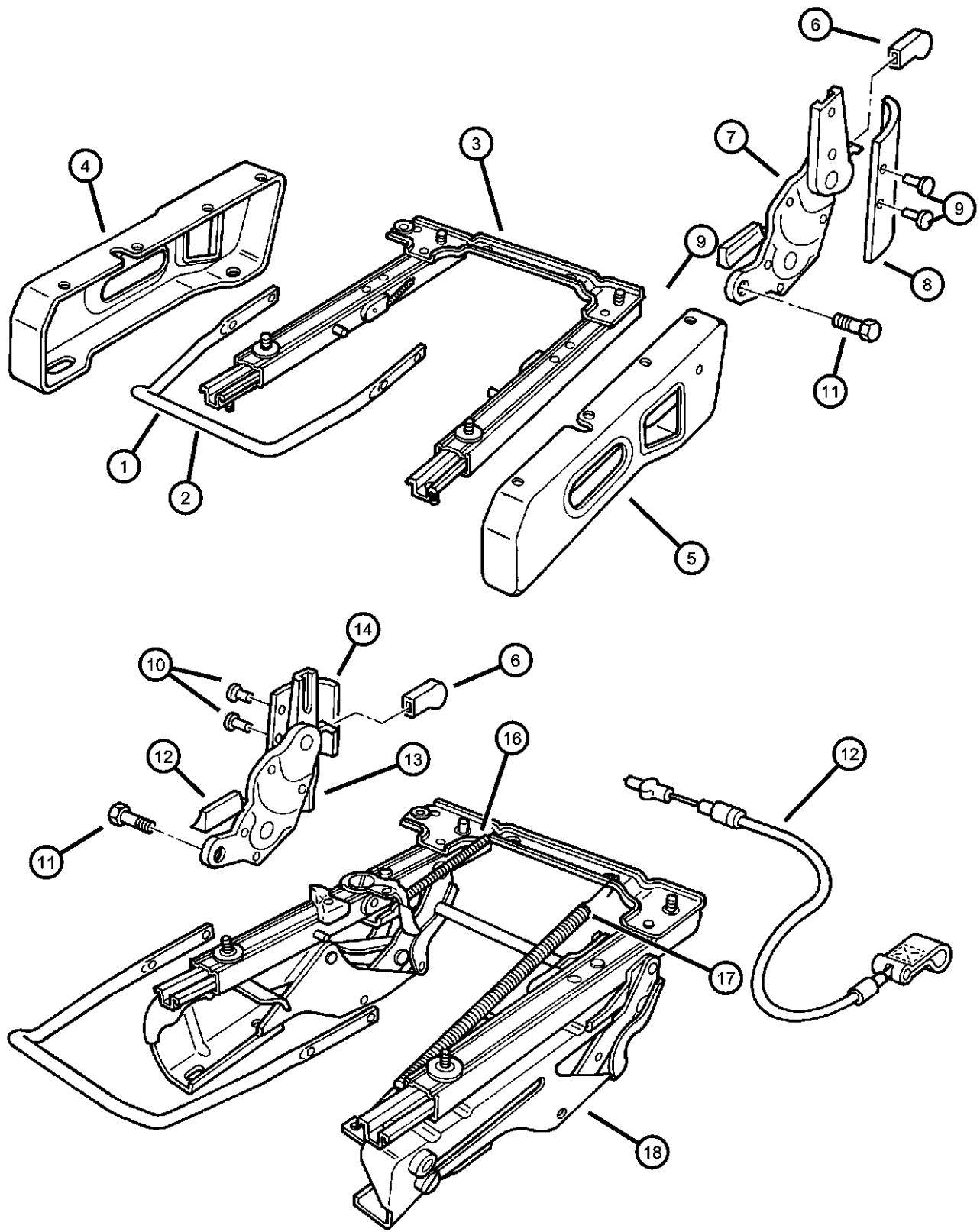
TRANSMISSION

DDD = TRANSMISSION - 5-SPEED
HD MANUAL
DDQ = TRANSMISSION - 5-SPEED
MANUAL
DGD = TRANSMISSION - 3-SPD.
AUTOMATIC,30RH
DGG = TRANSMISSION - 3-SPD.
AUTOMATIC,32RH
DG0 = All Automatic Transmissions
DBB = All Manual Transmissions
DD0 = All 5 Speed Manual
Transmissions

AR = use ase required - = Non illustrated part

2000 TJ

Seat Assemblies, Adjusters, Recliners
Figure ITJ-810



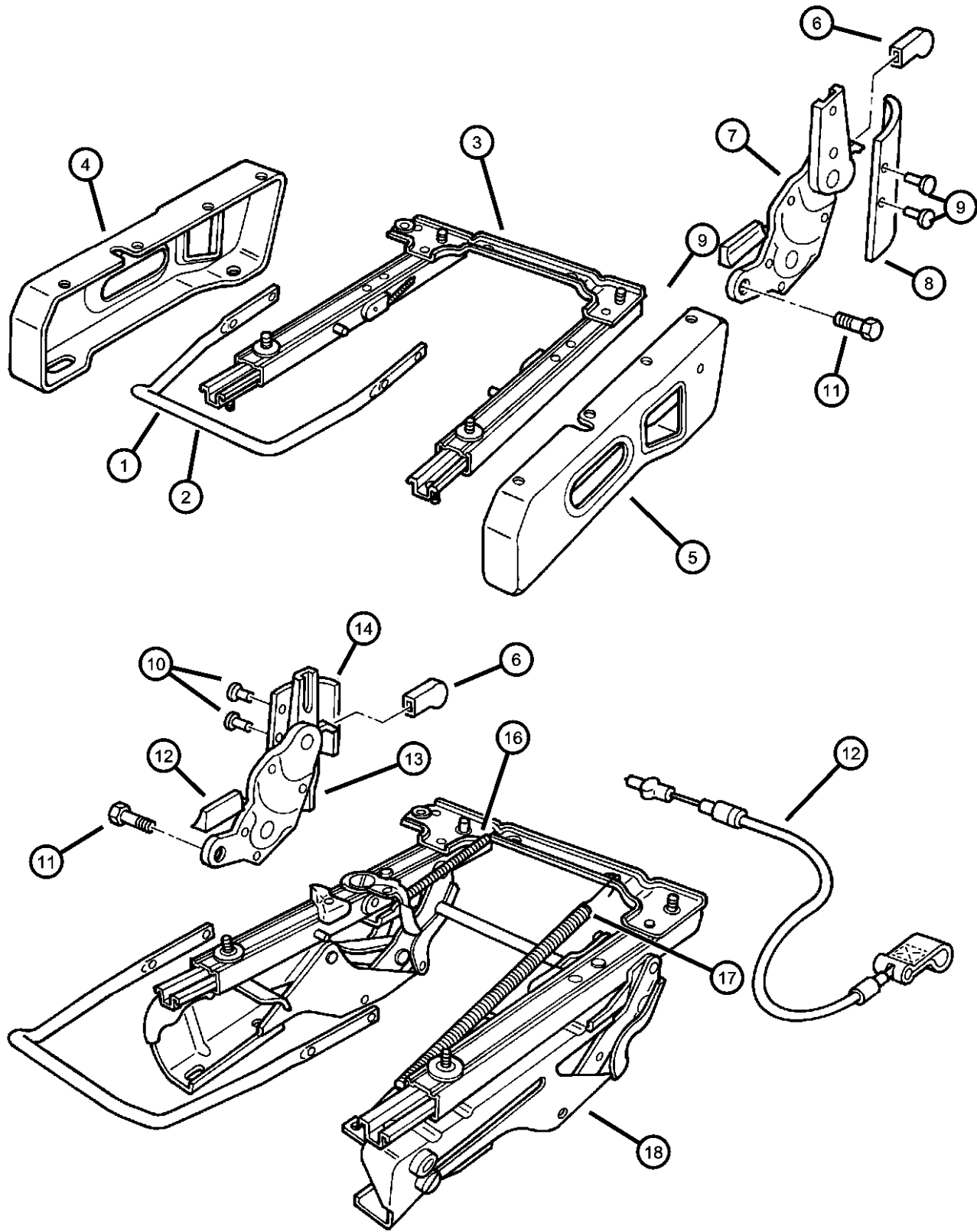
ITEM	PART NUMBER	QTY	LINE	SERIES	BODY	ENGINE	TRANS	TRIM	DESCRIPTION
	04874143	1						*D6	With Tip and Slide, Sales Code [CAG], Passenger
		1						*J6	With Tip and Slide, Sales Code [CAG], Passenger
		1						*K5	With Tip and Slide, Sales Code [CAG], Passenger
		1						*M5	With Tip and Slide, Sales Code [CAG], Passenger
	04874144	1						*D6	With Tip and Slide, Sales Code [CAG], Driver
		1						*K5	With Tip and Slide, Sales Code [CAG], Driver
		1						*M5	With Tip and Slide, Sales Code [CAG], Driver
		1						*J6	With Tip and Slide, Sales Code [CAG], Driver
	05012150AA	1	J					*J6	Right, Export
		1	J					*K5	Right, Export
		1	J					*M5	Right, Export
		1	U					*J6	Right, Export
		1	U					*K5	Right, Export
		1	U					*M5	Right, Export
	05012151AA	1	J					*J6	Left, Export
		1	J					*K5	Left, Export
		1	J					*M5	Left, Export
		1	U					*J6	Left, Export
		1	U					*K5	Left, Export
		1	U					*M5	Left, Export
-19									CABLE, Seat Adjuster, Seat Track
	04886308AA	1						*D6	28 Inches Long, (Also serviced in 4874143)
		1						*J6	28 Inches Long, (Also serviced in 4874143)
		1						*K5	28 Inches Long, (Also serviced in 4874143)

WRANGLER (TJ)
 SERIES LINE BODY ENGINE TRANSMISSION
 H = Sport J = Wrangler 4WD 77 = 93.4 WB EPE = ENGINE - 2.5L POWER TECH I-4 Cyl.
 L = SE U = Wrangler 4WD (RHD) ERH = ENGINE - 4.0L POWER TECH I-6
 P = Sahara

DDD = TRANSMISSION - 5-SPEED HD MANUAL
 DDQ = TRANSMISSION - 5-SPEED MANUAL
 DGD = TRANSMISSION - 3-SPD. AUTOMATIC,30RH
 DGG = TRANSMISSION - 3-SPD. AUTOMATIC,32RH
 DG0 = All Automatic Transmissions
 DBB = All Manual Transmissions
 DD0 = All 5 Speed Manual Transmissions

AR = use ase required - = Non illustrated part

Seat Assemblies, Adjusters, Recliners
Figure ITJ-810



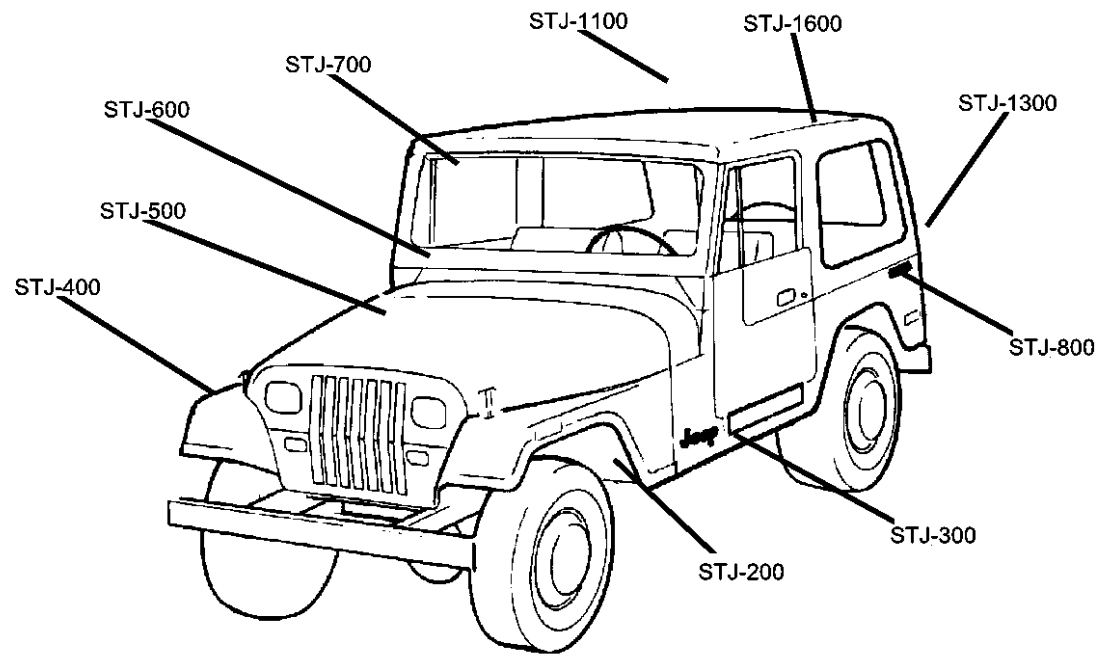
ITEM	PART NUMBER	QTY	LINE	SERIES	BODY	ENGINE	TRANS	TRIM	DESCRIPTION
		1						*M5	28 Inches Long, (Also serviced in 4874143)
	04886309AA	1						*D6	40 Inches Long, (Also Serviced in 4874144)
		1						*J6	40 Inches Long, (Also Serviced in 4874144)
		1						*K5	40 Inches Long, (Also Serviced in 4874144)
		1						*M5	40 Inches Long, (Also Serviced in 4874144)
	05012163AA	1	J					*J6	Also Serviced in 5012150AA & 5012151AA, Contained Within Seat Track, Export
		1	J					*K5	Also Serviced in 5012150AA & 5012151AA, Contained Within Seat Track, Export
		1	J					*M5	Also Serviced in 5012150AA & 5012151AA, Contained Within Seat Track, Export
		1	U					*J6	Also Serviced in 5012150AA & 5012151AA, Contained Within Seat Track, Export
		1	U					*K5	Also Serviced in 5012150AA & 5012151AA, Contained Within Seat Track, Export
		1	U					*M5	Also Serviced in 5012150AA & 5012151AA, Contained Within Seat Track, Export
-20	J4006832	2							BOLT, Pan Head, .437-20x1.375, Passenger & Driver Seat To Floor Pan

WRANGLER (TJ)					
SERIES	LINE	BODY	ENGINE	TRANSMISSION	
H = Sport	J = Wrangler 4WD	77 = 93.4 WB	EPE = ENGINE - 2.5L POWER TECH I-4 Cyl.	DDD = TRANSMISSION - 5-SPEED HD MANUAL	
L = SE	U = Wrangler 4WD (RHD)		ERH = ENGINE - 4.0L POWER TECH I-6	DDQ = TRANSMISSION - 5-SPEED MANUAL	
P = Sahara				DGD = TRANSMISSION - 3-SPD. AUTOMATIC,30RH	
				DGG = TRANSMISSION - 3-SPD. AUTOMATIC,32RH	
				DG0 = All Automatic Transmissions	
				DBB = All Manual Transmissions	
				DD0 = All 5 Speed Manual Transmissions	

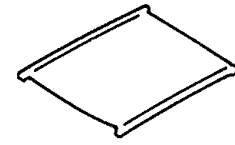
AR = use ase required - = Non illustrated part

Group - STJ

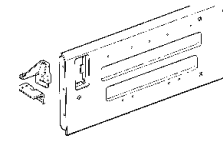
Body Sheet Metal Except Doors



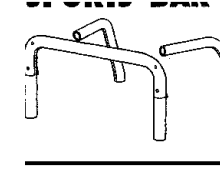
STJ-1100
Roof - Hard & Soft Top



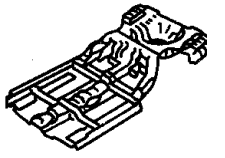
STJ-1300
Tailgate



STJ-1600
Luggage Rack



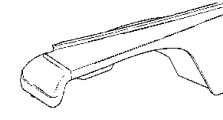
STJ-200
Floor Pans



STJ-300
Plugs



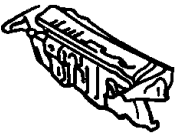
STJ-400
Front Fenders



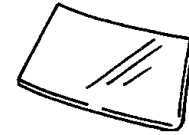
STJ-500
Hood and Hood Release



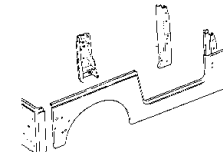
STJ-600
Cowl and Dash Panel



STJ-700
Glass and Rear View Mirror



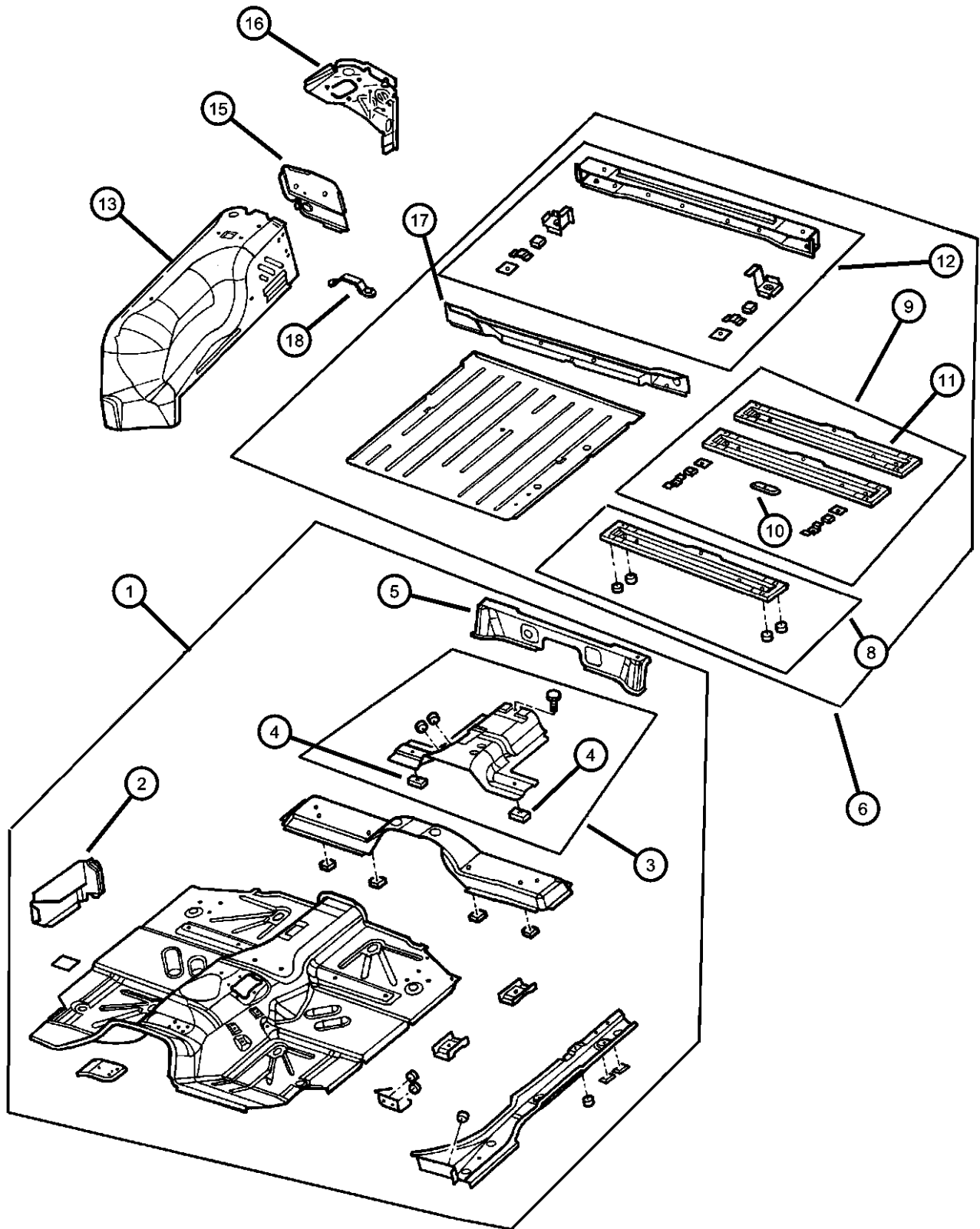
STJ-800
Aperture Panel



Group - STJ Body Sheet Metal Except Doors

Illustration Title	Group-Fig. No.
Floor Pans	
Pan, Floor Front And Rear	Fig. STJ - 210
Plugs	
Plugs	Fig. STJ - 310
Front Fenders	
Fender And Flare, Front	Fig. STJ - 410
Hood and Hood Release	
Hood, Lock, Catches.....	Fig. STJ - 510
Cowl and Dash Panel	
Panels, Cowl And Dash.....	Fig. STJ - 610
Glass and Rear View Mirror	
Glass, Windshield, Backlite, Quarter Windshield Frame, Hinges.....	Fig. STJ - 710
Aperture Panel	
Panels, Body Side.....	Fig. STJ - 810
Roof - Hard & Soft Top	
Soft Top And Windows.....	Fig. STJ - 1110
Top Enclosure, Hard	Fig. STJ - 1120
Tailgate	
Tailgate.....	Fig. STJ - 1310
Add-a-Trunk	Fig. STJ - 1320
Luggage Rack	
Sport Bar Wrangler.....	Fig. STJ - 1610

Pan, Floor Front And Rear
Figure STJ-210



ITEM	PART NUMBER	QTY	LINE	SERIES	BODY	ENGINE	TRANS	TRIM	DESCRIPTION
1	55346185AF	1							PAN, Floor
2									PANEL, Cowl Side
	55174828	1							Right
	55174829AB	1							Left
3	55175209	1							REINFORCEMENT, Park Brake Mounting
4	06033150	2							NUT PLATE, .25-20
5	55174809AB	1							RISER, Seat
6	55174811AC	1							PAN, Floor
-7	06035880	2	U						NUT, Rivet, Child Restraint, AUSTRALIA
8	55176240	1							CROSSMEMBER, Seat Belt Mount
9	55176241	1							CROSSMEMBER, Underbody, Body Mount #4
10	04490835AB	1							REINFORCEMENT, Shoulder Belt
11	55176237	1							CROSSMEMBER, Rear Floor
12	55175788AD	1							SILL, Rear
13									PANEL, Wheelhouse
	55175230AC	1							Right
	55175231AC	1							Left
-14	04490111	1							TAPPING PLATE, Also Serviced in Panel, Wheelhouse
15									PANEL, Rear Closure
	55176526AC	1							Horseshoe Shaped, Right
	55176527AC	1							As Illustrated, Left
16									REINFORCEMENT, Wheelhouse
	55175064AB	1							Right
	55175065AB	1							Left
17	55175790	1							PANEL, Rear Body Closing, Lower Center Panel
18	55013668	8							CHECK, Front Door

WRANGLER (TJ)

SERIES LINE BODY
H = Sport J = Wrangler 4WD 77 = 93.4 WB
L = SE U = Wrangler 4WD (RHD)
P = Sahara

BODY
77 = 93.4 WB

ENGINE
EPE = ENGINE - 2.5L POWER TECH I-4 Cyl.
ERH = ENGINE - 4.0L POWER TECH I-6

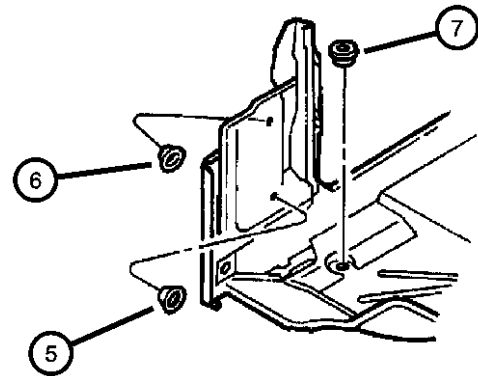
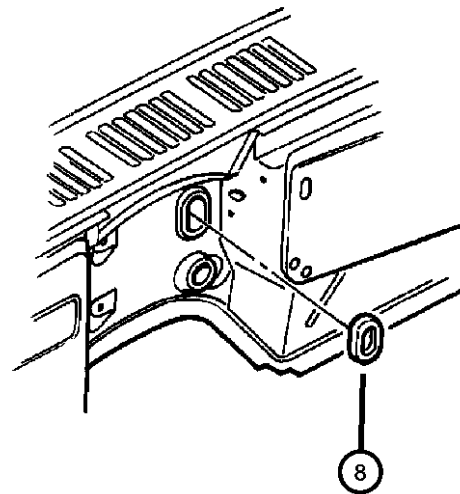
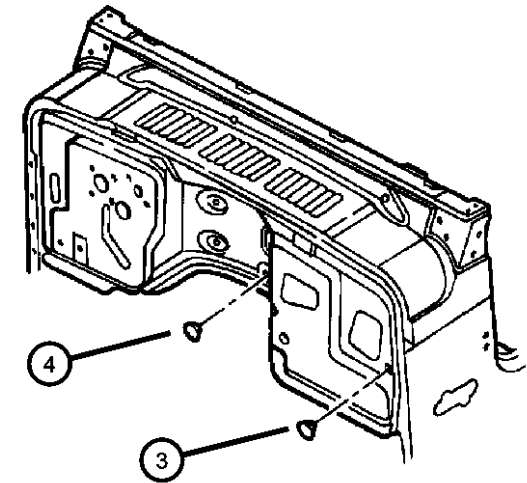
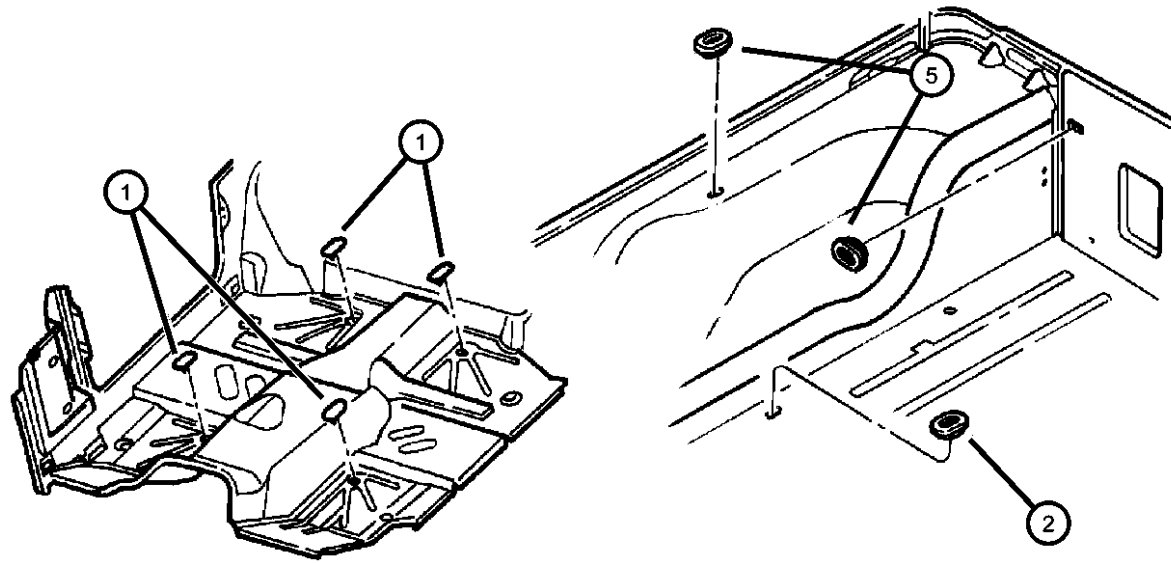
TRANSMISSION
DDD = TRANSMISSION - 5-SPEED HD MANUAL
DDQ = TRANSMISSION - 5-SPEED MANUAL
DGD = TRANSMISSION - 3-SPD. AUTOMATIC,30RH
DGG = TRANSMISSION - 3-SPD. AUTOMATIC,32RH
DGO = All Automatic Transmissions
DBB = All Manual Transmissions
DDO = All 5 Speed Manual Transmissions

AR = use ase required - = Non illustrated part

2000 TJ

Plugs
Figure STJ-310

ITEM	PART NUMBER	QTY	LINE	SERIES	BODY	ENGINE	TRANS	TRIM	DESCRIPTION
1	04586055	8							PLUG, Floor PanFront
2	06004507	2							PLUG, Body, 25.4mm x 38.1mm, Rubber, Rear Floor Pan
3	02424864	1							PLUG, Body, 1.75 Diameter
4	55257380AA	AR							PLUG, Dash Panel Rear Body Wiring
5	01774076	2							PLUG
6	55176729AA	2							PLUG, Cowl Side
7	04646855	2							PLUG, Floor Pan
8	04646855	2							PLUG, Body, 4.0mm X 76.4mm, (NOT SERVICED)



WRANGLER (TJ)

SERIES

H = Sport
L = SE
P = Sahara

LINE

J = Wrangler 4WD
U = Wrangler 4WD (RHD)

BODY

77 = 93.4 WB

ENGINE

EPE = ENGINE - 2.5L POWER TECH I-4 Cyl.
ERH = ENGINE - 4.0L POWER TECH I-6

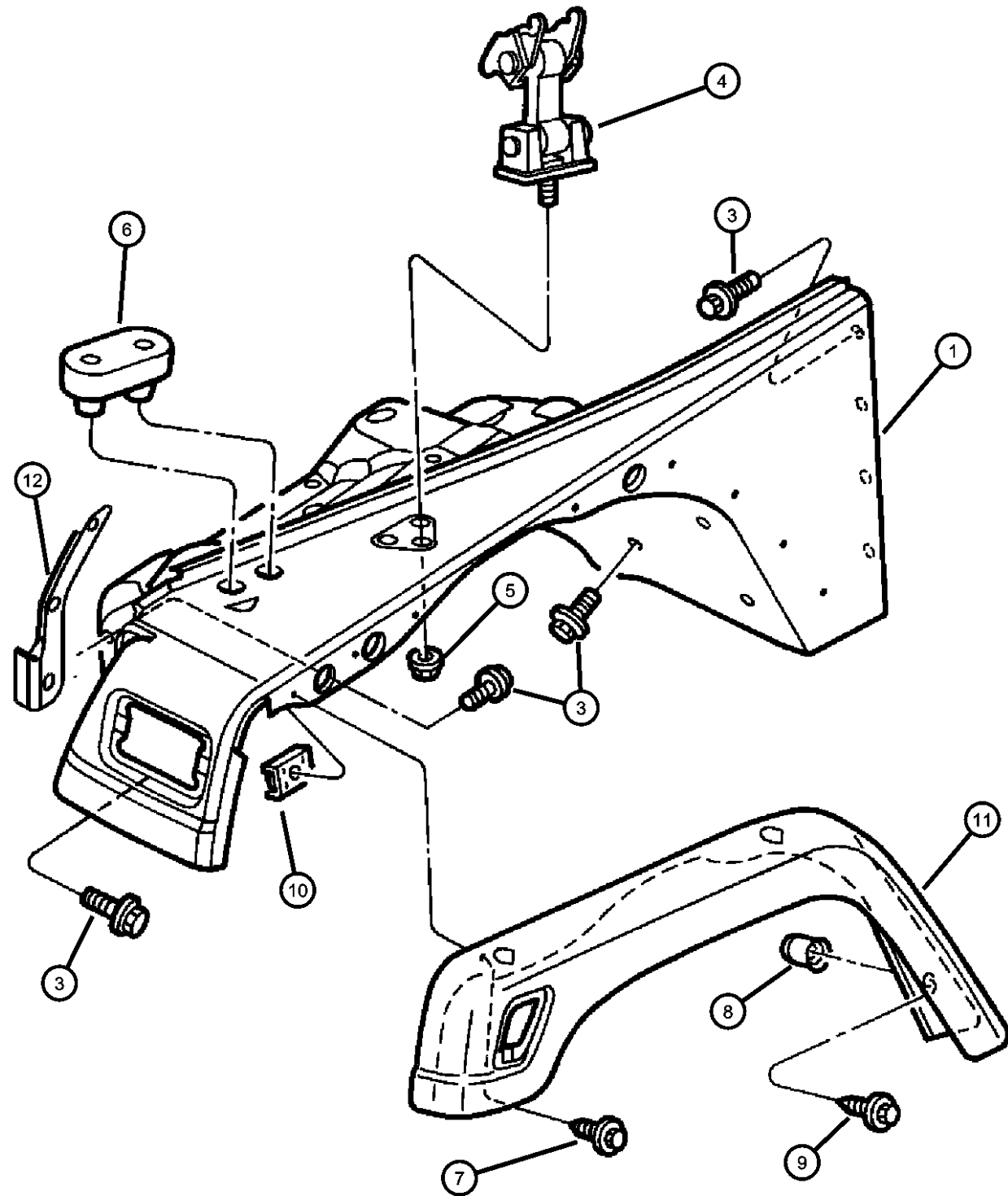
TRANSMISSION

DDD = TRANSMISSION - 5-SPEED HD MANUAL
DDQ = TRANSMISSION - 5-SPEED MANUAL
DGD = TRANSMISSION - 3-SPD. AUTOMATIC,30RH
DGG = TRANSMISSION - 3-SPD. AUTOMATIC,32RH
DGO = All Automatic Transmissions
DBB = All Manual Transmissions
DD0 = All 5 Speed Manual Transmissions

AR = use ase required - = Non illustrated part

2000 TJ

Fender And Flare, Front
Figure STJ-410



ITEM	PART NUMBER	QTY	LINE	SERIES	BODY	ENGINE	TRANS	TRIM	DESCRIPTION
1	05003950AC	1							PANEL, Fender Right
	05003951AC	1							Left
-2	55174658	2							SHIELD, SplashFront
3	06100583	8							BOLT AND CONED WASHER, Hex Head, M8x25x20
4	55176636AD	2							CATCH, Hood
5	06101445	2							NUT AND WASHER, Hex Nut-Coned Washer, M8 x 1.25
6	J4007541	2							BUMPER, Fender, Oblong Head in Front Fender as Hood Cushion
7	J4007541	2							SCREW AND WASHER, [.190-16x.750], (NOT SERVICED)
8	06504601	6							NUT, Rivet Round, M5x0.80x11.09
9	06504601	6							SCREW AND WASHER, M5x.080x20.00, (NOT SERVICED)
10									NUT, Plastic
	J4004868	14							Front
		10							Rear
11									EXTENSION, Fender
	0QP94DX8	1							[K5X], Black High Gloss, SAHARA, Right
	0QP94DX9	1							[K5Z], Black, Flat, SAHARA, Right
	0QP94SG8	1							[K5G], Forest Green, SAHARA, Right
	0QP94SW1	1							[K5W], White, SAHARA, Right
	0QP94WTD	1							[K5S], Sand, SAHARA, Right
	0QP95DX8	1							[K5X], Black High Gloss, SAHARA, Left
	0QP95DX9	1							[K5Z], Black, Flat, SAHARA, Left
	0QP95SG8	1							[K5G], Forest Green, SAHARA, Left
	0QP95SW1	1							[K5W], White, SAHARA, Left
	0QP95WTD	1							[K5S], Sand, SAHARA, Left
	55254918	1							[K30], Black, Textured, Right

WRANGLER (TJ)

SERIES LINE
H = Sport J = Wrangler 4WD
L = SE U = Wrangler 4WD (RHD)
P = Sahara

BODY
77 = 93.4 WB

ENGINE
EPE = ENGINE - 2.5L POWER
TECH I-4 Cyl.
ERH = ENGINE - 4.0L
POWER TECH I-6

TRANSMISSION
DDD = TRANSMISSION - 5-SPEED
HD MANUAL
DDQ = TRANSMISSION - 5-SPEED
MANUAL
DGD = TRANSMISSION - 3-SPD.
AUTOMATIC,30RH
DGG = TRANSMISSION - 3-SPD.
AUTOMATIC,32RH
DG0 = All Automatic Transmissions
DBB = All Manual Transmissions
DD0 = All 5 Speed Manual
Transmissions

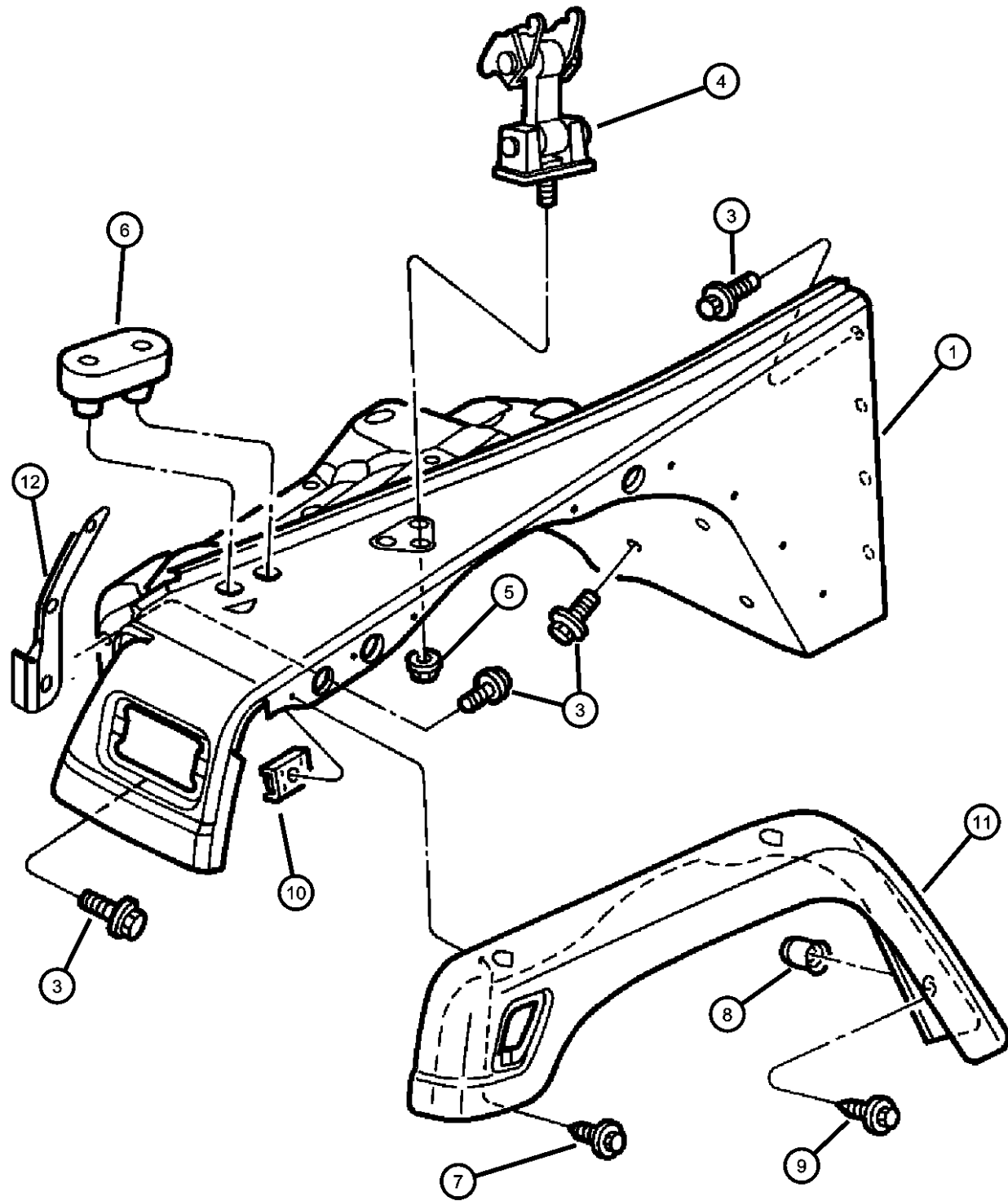
AR = use ase required - = Non illustrated part

2000 TJ

Fender And Flare, Front
Figure STJ-410

ITEM	PART NUMBER	QTY	LINE	SERIES	BODY	ENGINE	TRANS	TRIM	DESCRIPTION
------	-------------	-----	------	--------	------	--------	-------	------	-------------

12	55254919	1							[K30], Black, Textured, Left
	55176456AB	1							REINFORCEMENT, Fender Right
	55176457AB	1							Left



WRANGLER (TJ)

SERIES	LINE
H = Sport	J = Wrangler 4WD
L = SE	U = Wrangler 4WD (RHD)
P = Sahara	

BODY
77 = 93.4 WB

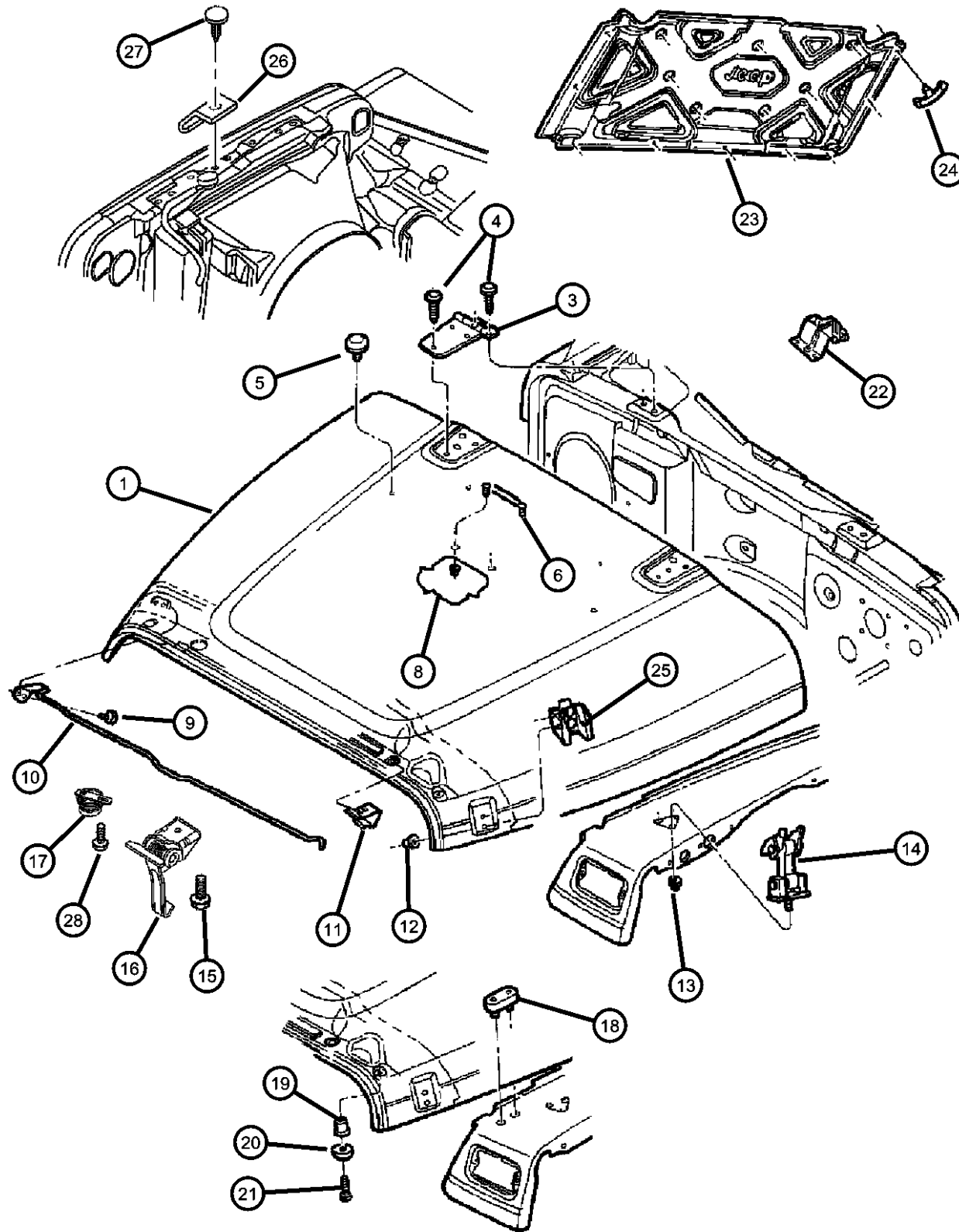
ENGINE
EPE = ENGINE - 2.5L POWER TECH I-4 Cyl.
ERH = ENGINE - 4.0L POWER TECH I-6

TRANSMISSION
DDD = TRANSMISSION - 5-SPEED HD MANUAL
DDQ = TRANSMISSION - 5-SPEED MANUAL
DGD = TRANSMISSION - 3-SPD. AUTOMATIC,30RH
DGG = TRANSMISSION - 3-SPD. AUTOMATIC,32RH
DG0 = All Automatic Transmissions
DBB = All Manual Transmissions
DD0 = All 5 Speed Manual Transmissions

AR = use ase required - = Non illustrated part

2000 TJ

Hood, Lock, Catches
Figure STJ-510



ITEM	PART NUMBER	QTY	LINE	SERIES	BODY	ENGINE	TRANS	TRIM	DESCRIPTION
1	05066182AA	1							HOOD After 2/7/00, (Prop Rod Hole is Rectangular)
	55176594AE	1							Up to 2/7/00, (Prop Rod Hole is Round)
-2	55176589	AR							SHIM
3	55075559	2							HINGE, Hood
4	06503154	6							SCREW AND WASHER, Round Head, M8x1.25x20
5	55075590	2							BUMPER, Hood
6	55176422	1							BRACKET, Windshield Hold Down
-7	06036102AA	2							SCREW, .19-24.50
8	06502028	2							NUT AND WASHER, Hex Nut-Coned Washer, M4 x 0.70
9	06034980	2							SCREW, Pan Head, .19-24x.437, Hood Prop Rod Mounting
10	55176635AD	1							ROD, Hood Prop
11	55075480AC	1							CLIP, Prop Rod Up to 2/7/00, (Prop Rod Hole is Round)
	J4007456	1							After 2/7/00, (Prop Rod Hole is Rectangular), Plastic
12	06504030	4							NUT AND WASHER, Hex, M6x1
13	06101445	2							NUT AND WASHER, Hex Nut-Coned Washer, M8 x 1.25
14	55176636AD	2							CATCH, Hood
15	55176636AD	2							SCREW AND WASHER, (NOT SERVICED)
16	55176731AE	1							HOOK, Hood Safety Catch
17	55176732AB	1							SPRING, Hood Pop Up
18	J4007541	2							BUMPER, Fender, Oblong
19	J4005237	2							NUT, Hex, .19-32x430, Well Type Hood Bumper Support
20	55176291	2							BUMPER, Steel Insert
21	06034205	2							SCREW, Pan Head, .19-32x.625, Hood Bumper Support
22	55175096	2							REINFORCEMENT, Hood Hinge

WRANGLER (TJ)

SERIES LINE
H = Sport J = Wrangler 4WD
L = SE U = Wrangler 4WD (RHD)
P = Sahara

BODY
77 = 93.4 WB

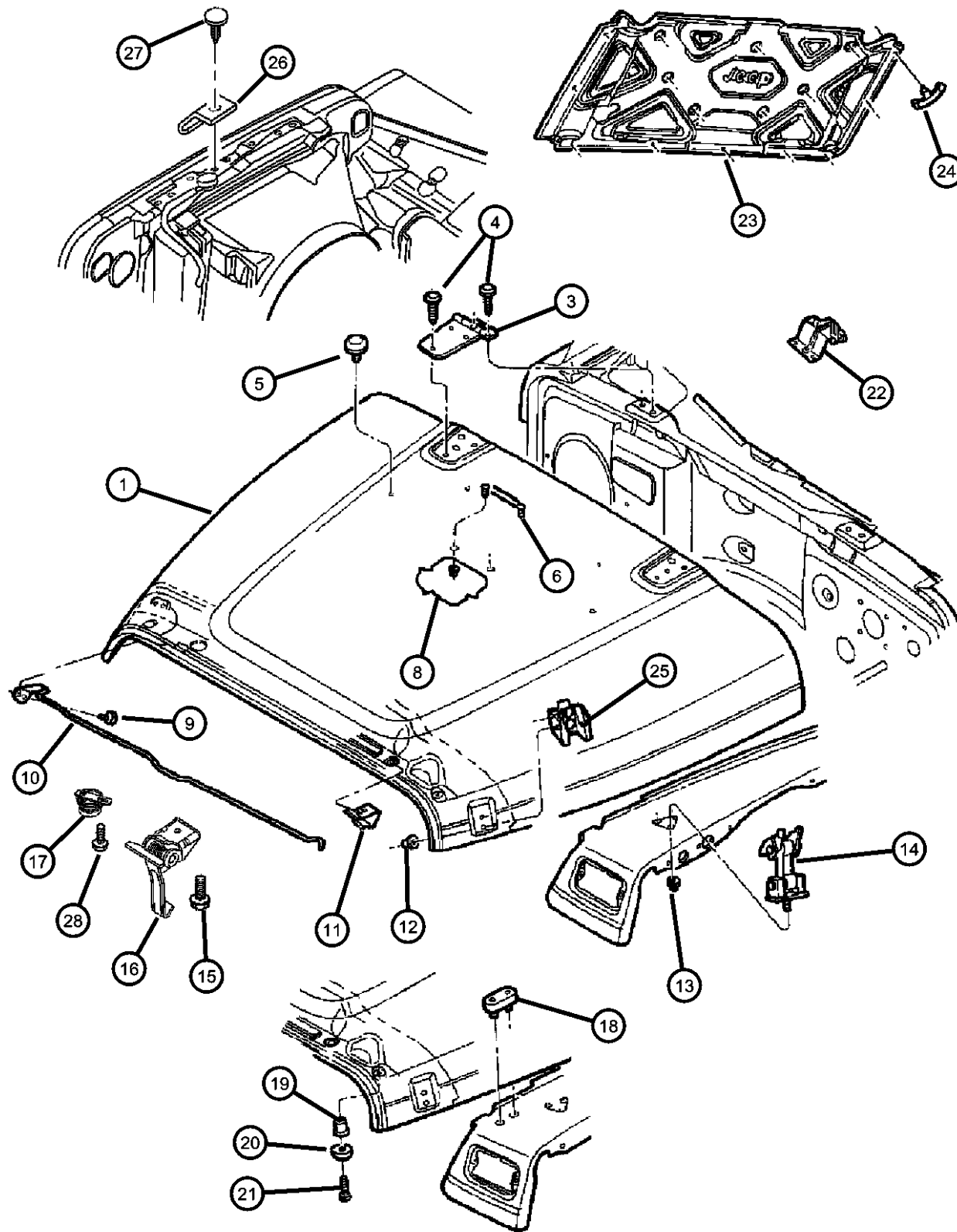
ENGINE
EPE = ENGINE - 2.5L POWER TECH I-4 Cyl.
ERH = ENGINE - 4.0L POWER TECH I-6

TRANSMISSION
DDD = TRANSMISSION - 5-SPEED HD MANUAL
DDQ = TRANSMISSION - 5-SPEED MANUAL
DGD = TRANSMISSION - 3-SPD. AUTOMATIC,30RH
DGG = TRANSMISSION - 3-SPD. AUTOMATIC,32RH
DGO = All Automatic Transmissions
DBB = All Manual Transmissions
DD0 = All 5 Speed Manual Transmissions

AR = use ase required - = Non illustrated part

2000 TJ

Hood, Lock, Catches
Figure STJ-510



ITEM	PART NUMBER	QTY	LINE	SERIES	BODY	ENGINE	TRANS	TRIM	DESCRIPTION
23	55175096	2							INSULATION, Hood, (NOT REQUIRED)
24	55175096	2							RETAINER, Hood Insulation, .415x.690, (NOT REQUIRED)
25	55176428AC	2							BRACKET, Hood Catch
26	55032768	1							SKID PLATE, Secondary Hood Catch
27	06500787	1							RIVET, M5x11.30
28	06500787	1							SCREW, .190-16x.500, (NOT SERVICED)

WRANGLER (TJ)

SERIES LINE BODY
H = Sport J = Wrangler 4WD 77 = 93.4 WB
L = SE U = Wrangler 4WD (RHD)
P = Sahara

BODY
77 = 93.4 WB

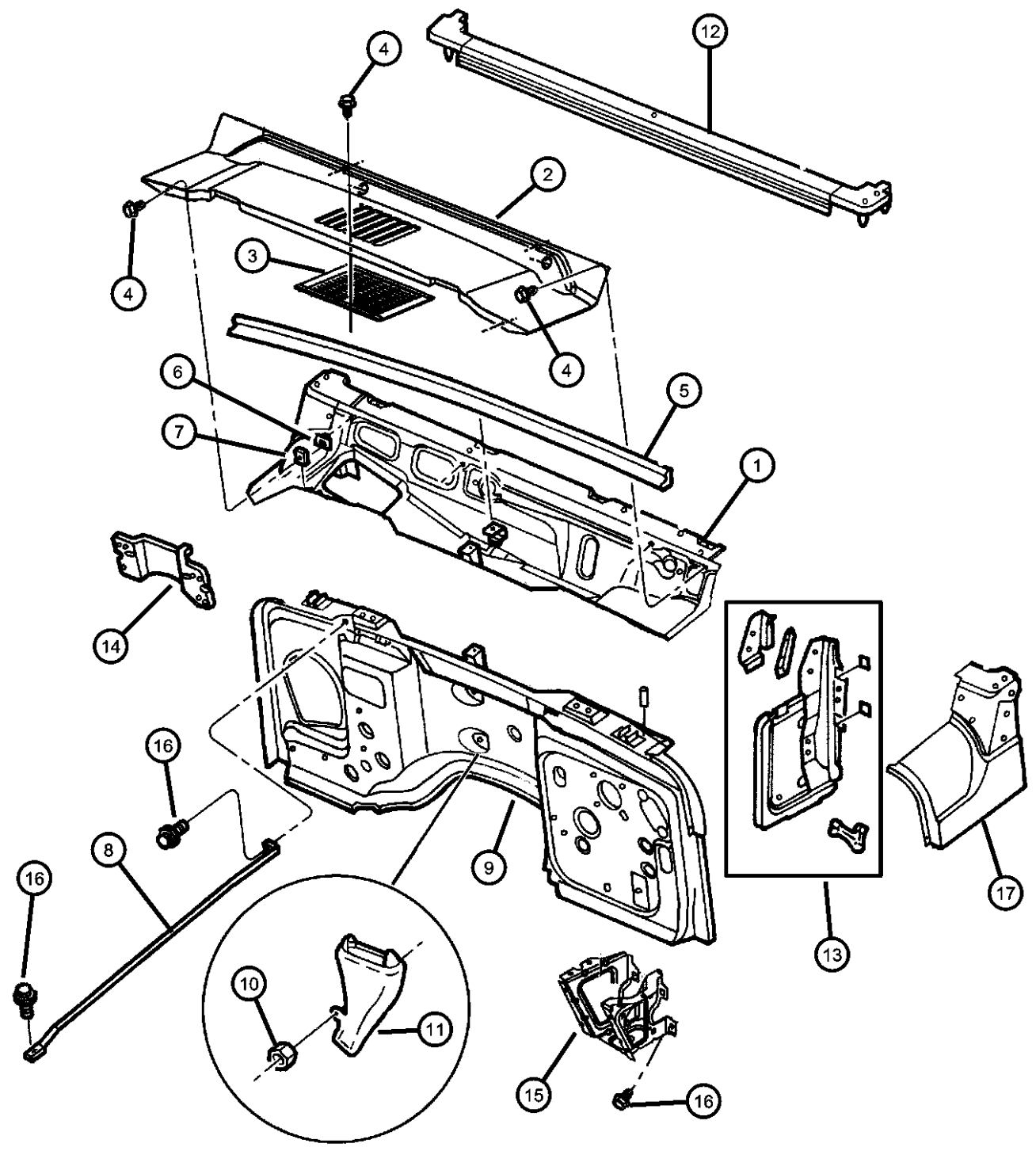
ENGINE
EPE = ENGINE - 2.5L POWER TECH I-4 Cyl.
ERH = ENGINE - 4.0L POWER TECH I-6

TRANSMISSION
DDD = TRANSMISSION - 5-SPEED HD MANUAL
DDQ = TRANSMISSION - 5-SPEED MANUAL
DGD = TRANSMISSION - 3-SPD. AUTOMATIC,30RH
DGG = TRANSMISSION - 3-SPD. AUTOMATIC,32RH
DGO = All Automatic Transmissions
DBB = All Manual Transmissions
DDO = All 5 Speed Manual Transmissions

AR = use ase required - = Non illustrated part

2000 TJ

**Panels, Cowl And Dash
Figure STJ-610**



ITEM	PART NUMBER	QTY	LINE	SERIES	BODY	ENGINE	TRANS	TRIM	DESCRIPTION
1	55174624AC	1	J						PANEL, Cowl
	55174625AC	1	U						
2	55174636AB	1	J						GRILLE, Cowl Panel
	55174637AC	1	U						
3	55037422AA	1							SCREEN, Cowl
4	55037422AA	1							SCREW, .164-15x1.21, (NOT SERVICED)
5	55174640	1							WEATHERSTRIP, Hood to Cowl
6	06506063AA	4	J						NUT, Snap In
		4	U						
7	00152490	3	J						NUT, Spring, .16-18
		3	U						
8	55176588	2							BRACKET, Dash Panel to Plenum
9	55174644AB	1	J						PANEL, Dash
	55174645AB	1	U						
10	06100048	1							NUT, Hex, M6x1.00
11	55176555	1							DRAIN, Heater and A/C
12	55176566AE	1							WEATHERSTRIP, Windshield to Cowl
13	55176092	1	J						PANEL, Cowl Side
		1	U						Upper Right
	55176093	1	J						Upper Right
		1	U						Upper Left
		1	J						Upper Left
14	55176011	1	J						BRACKET, Module

WRANGLER (TJ)

SERIES LINE
H = Sport J = Wrangler 4WD
L = SE U = Wrangler 4WD (RHD)
P = Sahara

BODY
77 = 93.4 WB

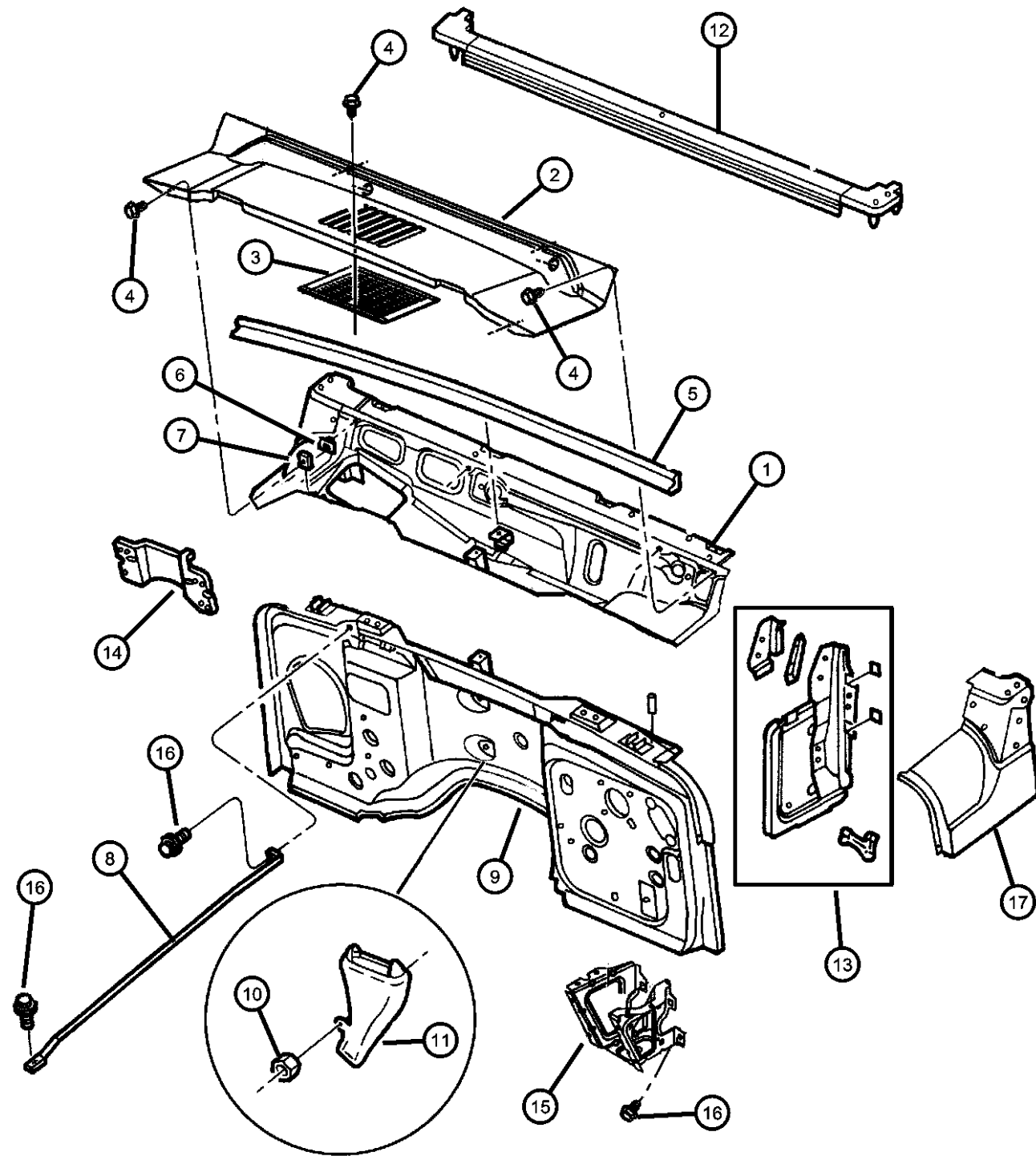
ENGINE
EPE = ENGINE - 2.5L POWER TECH I-4 Cyl.
ERH = ENGINE - 4.0L POWER TECH I-6

TRANSMISSION
DDD = TRANSMISSION - 5-SPEED HD MANUAL
DDQ = TRANSMISSION - 5-SPEED MANUAL
DGD = TRANSMISSION - 3-SPD. AUTOMATIC,30RH
DGG = TRANSMISSION - 3-SPD. AUTOMATIC,32RH
DGO = All Automatic Transmissions
DBB = All Manual Transmissions
DDO = All 5 Speed Manual Transmissions

AR = use ase required - = Non illustrated part

**Panels, Cowl And Dash
Figure STJ-610**

ITEM	PART NUMBER	QTY	LINE	SERIES	BODY	ENGINE	TRANS	TRIM	DESCRIPTION
------	-------------	-----	------	--------	------	--------	-------	------	-------------



15	55176099	1	U						REINFORCEMENT, Battery Tray
									Right
									Left
16	06100583	6							BOLT AND CONED WASHER, Hex Head, M8x25x20
17	06100583	6							PANEL, Cowl Top, Serviced in Panel Body Side, (NOT SERVICED)

WRANGLER (TJ)

SERIES	LINE
H = Sport	J = Wrangler 4WD
L = SE	U = Wrangler 4WD (RHD)
P = Sahara	

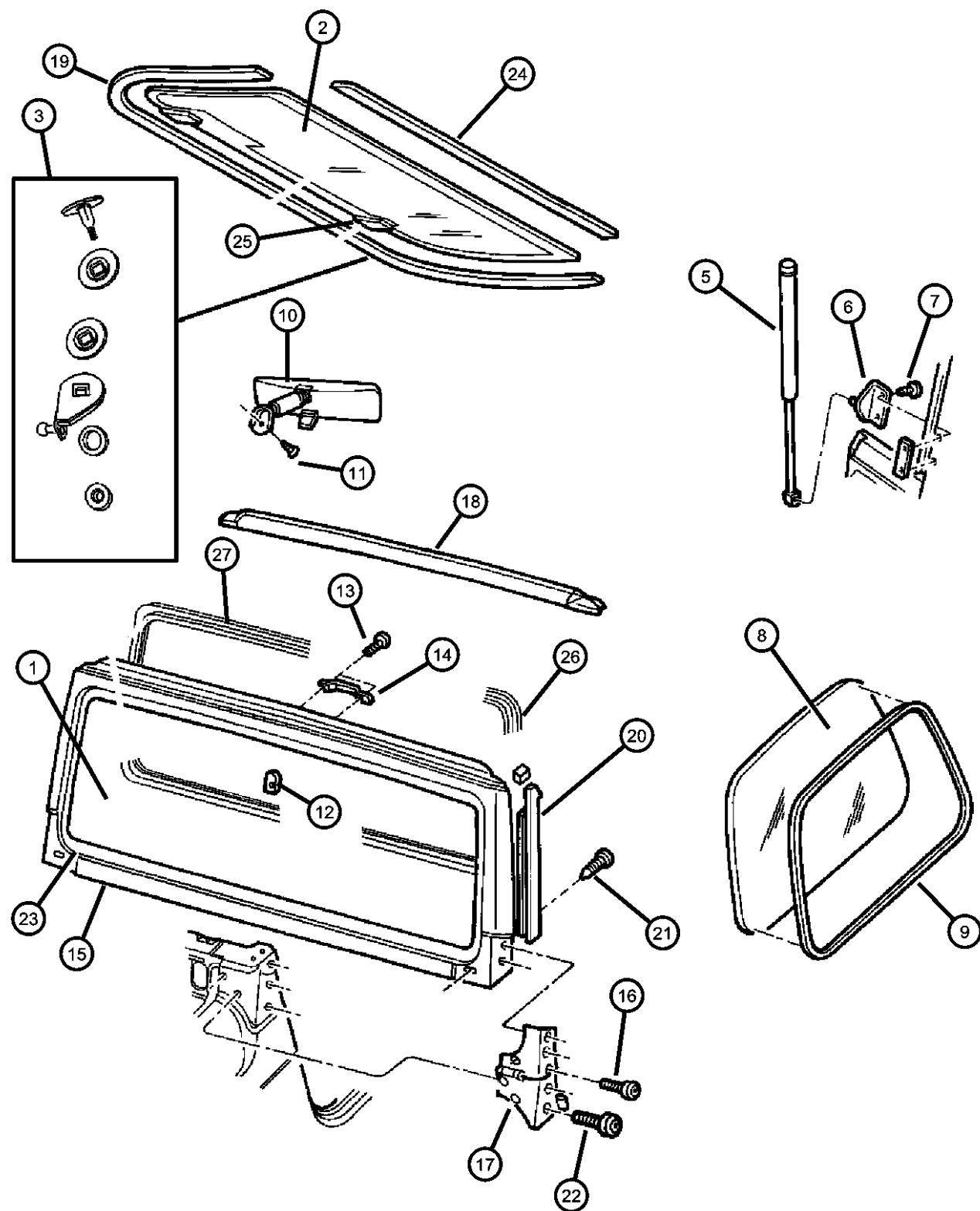
BODY
77 = 93.4 WB

ENGINE	TRANSMISSION
EPE = ENGINE - 2.5L POWER TECH I-4 Cyl.	DDD = TRANSMISSION - 5-SPEED HD MANUAL
ERH = ENGINE - 4.0L POWER TECH I-6	DDQ = TRANSMISSION - 5-SPEED MANUAL
	DGD = TRANSMISSION - 3-SPD. AUTOMATIC,30RH
	DGG = TRANSMISSION - 3-SPD. AUTOMATIC,32RH
	DG0 = All Automatic Transmissions
	DBB = All Manual Transmissions
	DD0 = All 5 Speed Manual Transmissions

AR = use ase required - = Non illustrated part

2000 TJ

Glass, Windshield, Backlite, Quarter Windshield Frame, Hinges
Figure STJ-710



ITEM	PART NUMBER	QTY	LINE	SERIES	BODY	ENGINE	TRANS	TRIM	DESCRIPTION
1	04874994	1							WINDSHIELD 10- Lite Pack
	04874995	1							30- Lite Pack
2	04883306	1							BACKLITE Tint, Heated
	04883306AB	1							Privacy, Heated
	04883307	1							Tinted
3	04883496AA	1							BRACKET, Ballstud Right
	04883497AA	1							Left
-4	04883497AA	1							BRACKET, Ballstud, (NOT REQUIRED)
5	55076310AB	2							PROP, Liftgate Mopar V-Line Alternative Part
	G0004249								
6	55076311AB	2							BALL STUD, Body Side
7	55076311AB	2							SCREW, M6x1.00x20.00, (NOT SERVICED)
8	55176278	1							GLASS, Quarter Window Tinted, Right
	55176279	1							Tinted, Left
	55176306	1							Privacy, Right
	55176307	1							Privacy, Left
9	55176577	2							MOLDING, Quarter Window
10	55009784AB	1							MIRROR, Inside Rear View
11	J4005766	1							SCREW, Pan Head, .164-32x.460
12	J3657374	1							SUPPORT, Rear View Mirror
13	J3657374	1							SCREW, .190-24x.500, (NOT SERVICED)
14	55013666	1							FOOTMAN LOOP, Hold Down
15	55174607AD	1							PANEL, Windshield Frame
16	06035898	2							SCREW AND WASHER, Truss Head, .312-18x1.12
17									HINGE, Door

WRANGLER (TJ)

SERIES LINE
H = Sport J = Wrangler 4WD
L = SE U = Wrangler 4WD (RHD)
P = Sahara

BODY
77 = 93.4 WB

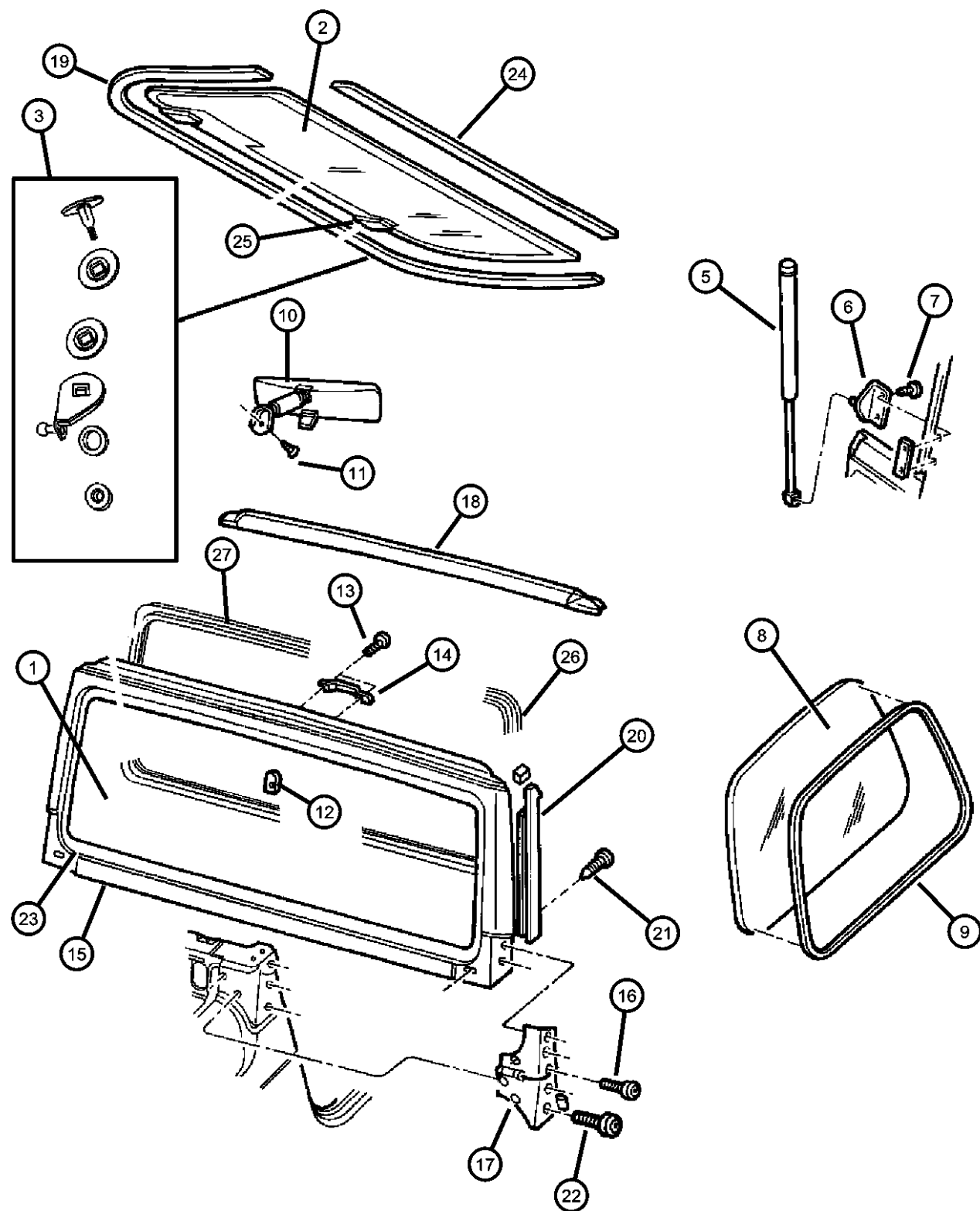
ENGINE
EPE = ENGINE - 2.5L POWER
TECH I-4 Cyl.
ERH = ENGINE - 4.0L
POWER TECH I-6

TRANSMISSION
DDD = TRANSMISSION - 5-SPEED
HD MANUAL
DDQ = TRANSMISSION - 5-SPEED
MANUAL
DGD = TRANSMISSION - 3-SPD.
AUTOMATIC,30RH
DGG = TRANSMISSION - 3-SPD.
AUTOMATIC,32RH
DGO = All Automatic Transmissions
DBB = All Manual Transmissions
DDO = All 5 Speed Manual
Transmissions

AR = use ase required - = Non illustrated part

2000 TJ

**Glass, Windshield, Backlite, Quarter Windshield Frame, Hinges
Figure STJ-710**



ITEM	PART NUMBER	QTY	LINE	SERIES	BODY	ENGINE	TRANS	TRIM	DESCRIPTION
	55075702AD	1							Right
	55075703AD	1							Left
18	55176512AE	1							SEAL, Header Opening
19	55175041AF	1							WEATHERSEAL, LIFTGATE
20									WEATHERSTRIP, Front Door
	55176618AB	1							Right
	55176619AB	1							Left
21	06035369	6							SCREW, Piercing, .164-15x1.25
22	06035757	8							SCREW
23	55176567AB	1							MOLDING, Windshield Reveal
24	55175042	1							WEATHERSTRIP, Backlite
25									HINGE, Liftglass
	05013722AA	1							Right
	05013723AA	1							Left
26	05013723AA	1							SEAL, Header Top And Side Rail, (NOT REQUIRED)
27	55176430AD	1							MOLDING, Windshield Garnish
-28	55009433	1							GASKET, Hinge To Glass
-29	55009434	1							BUSHING, Hinge to Glass
-30	55009788	1							SEAL, Hinge To Glass
-31	J4007384	1							NUT AND WASHER, Hex
-32	55019378	1							CAP, Hinge Cover
-33	55176464	1							GROMMET, Wiper Motor And Bracket
-34	55176421	2							TAPE, Anti Chip

WRANGLER (TJ)

SERIES LINE
H = Sport J = Wrangler 4WD
L = SE U = Wrangler 4WD (RHD)
P = Sahara

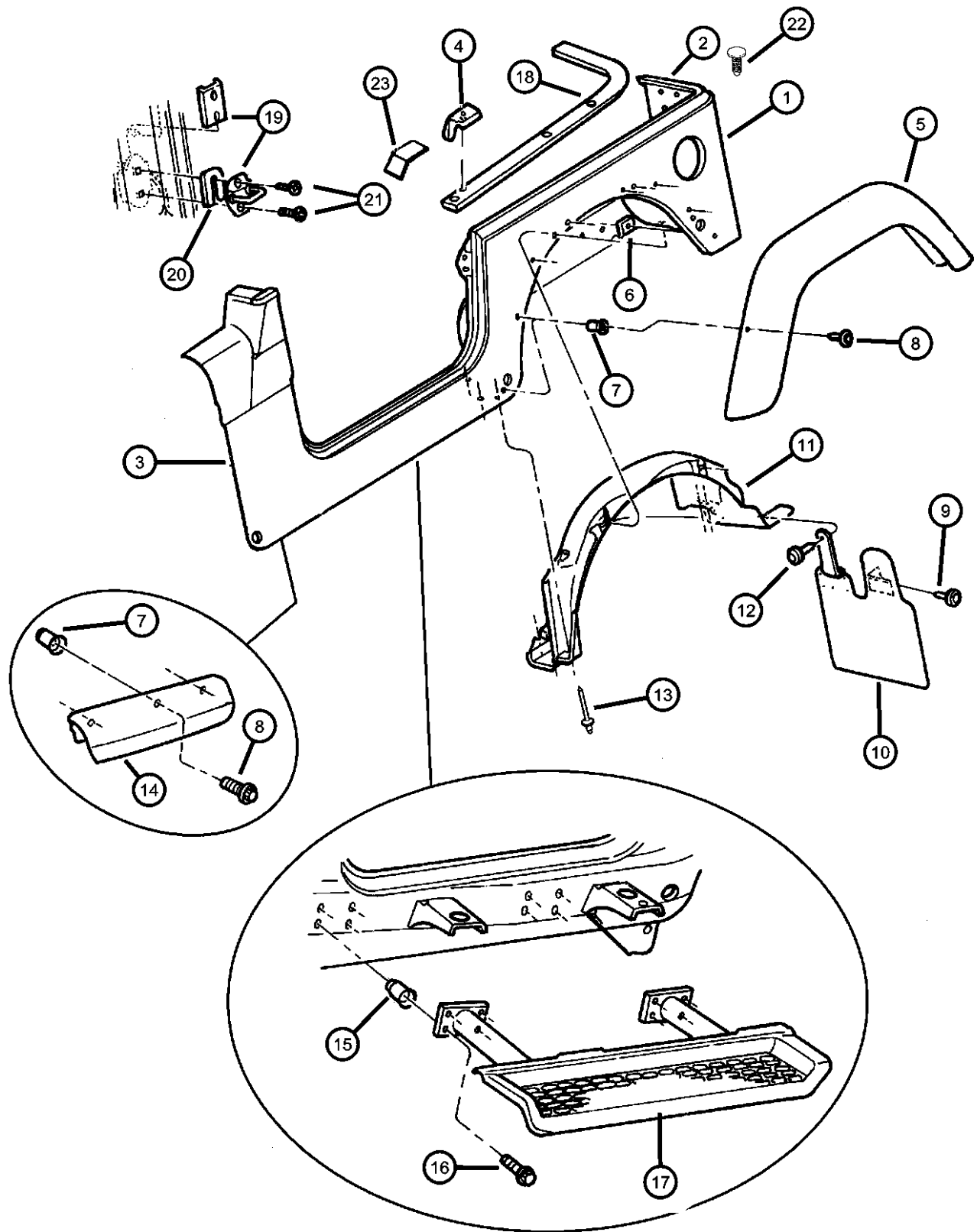
BODY
77 = 93.4 WB

ENGINE
EPE = ENGINE - 2.5L POWER
TECH I-4 Cyl.
ERH = ENGINE - 4.0L
POWER TECH I-6

TRANSMISSION
DDD = TRANSMISSION - 5-SPEED
HD MANUAL
DDQ = TRANSMISSION - 5-SPEED
MANUAL
DGD = TRANSMISSION - 3-SPD.
AUTOMATIC,30RH
DGG = TRANSMISSION - 3-SPD.
AUTOMATIC,32RH
DGO = All Automatic Transmissions
DBB = All Manual Transmissions
DDO = All 5 Speed Manual
Transmissions

AR = use ase required - = Non illustrated part

Panels, Body Side
Figure STJ-810



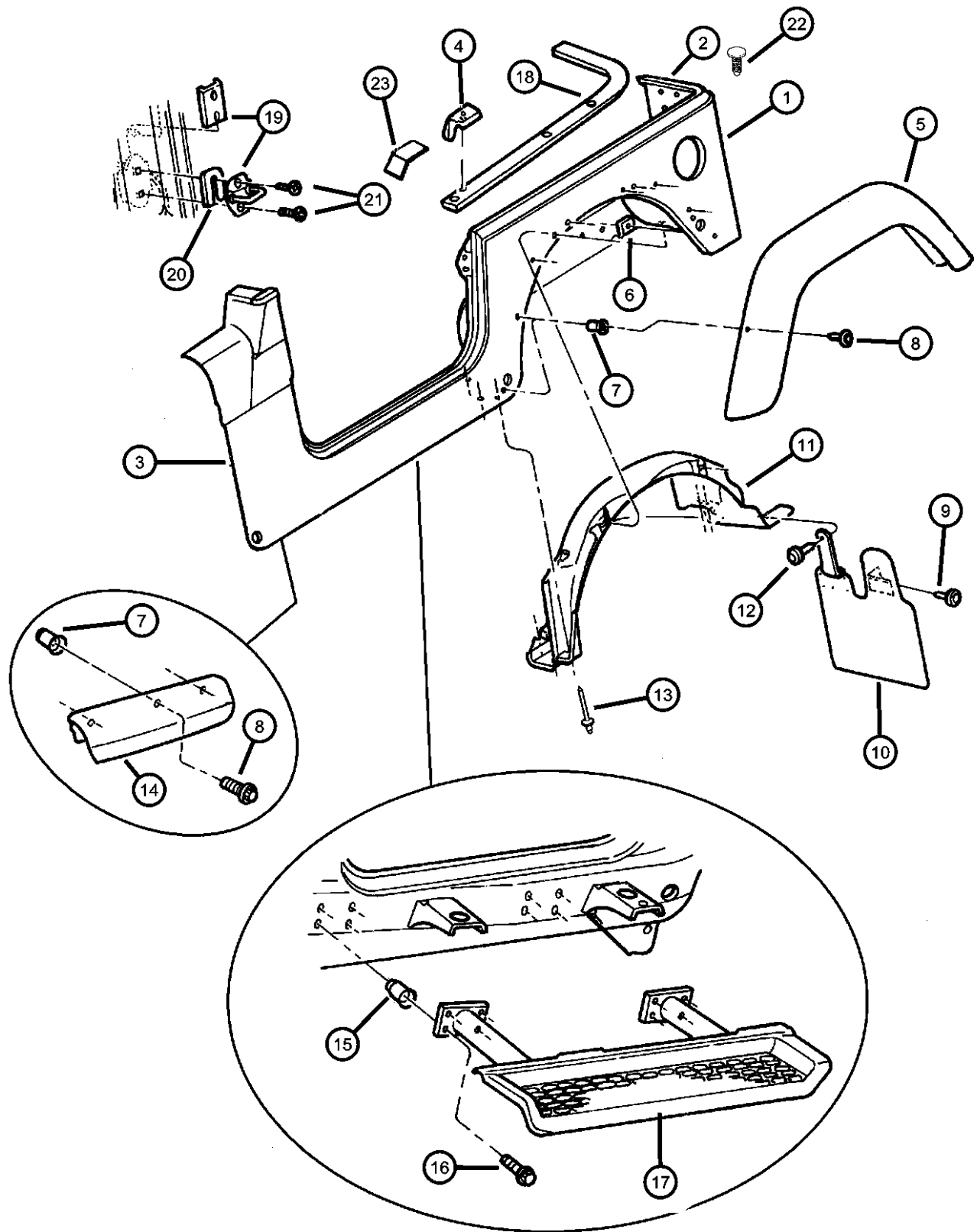
ITEM	PART NUMBER	QTY	LINE	SERIES	BODY	ENGINE	TRANS	TRIM	DESCRIPTION
1	04874196AB	1							PANEL, Body Side Right
	04874197AB	1							Left
2	55175664	1							PANEL, Rear Corner Right
	55175665	1							Left
3	55175024	1							REINFORCEMENT, Side Panel
4	55177256AA	1							SEAL, Mocket Right
	55177257AA	1							Left
5	55175726	1							EXTENSION, Wheel House Black, Textured, Right
	55175727	1							Black, Textured, Left
	5DS74DX8AB	1							Black,Clear Coat, SAHARA, Right
	5DS74DX9AB	1							Black, Flat, SAHARA, Right
	5DS74SG8AB	1							Forest Green, SAHARA, Right
	5DS74SW1AB	1							Stone White, SAHARA, Right
	5DS74WTDAB	1							Desert Sand, SAHARA, Right
	5DS75DX8AB	1							Black,Clear Coat, SAHARA, Left
	5DS75DX9AB	1							Black, Flat, SAHARA, Left
	5DS75SG8AB	1							Forest Green, SAHARA, Left
	5DS75SW1AB	1							Stone White, SAHARA, Left
	5DS75WTDAB	1							Desert Sand, SAHARA, Left
	6	J4004868	14						
		10							Rear
7	06504601	6							NUT, Rivet Round, M5x0.80x11.09
8	06504601	6							SCREW AND WASHER, M5X.80X20.00, (NOT SERVICED)
9	06504601	6							SCREW, (.190-16x.750), (NOT SERVICED)

WRANGLER (TJ)

SERIES	LINE	BODY	ENGINE	TRANSMISSION
H = Sport	J = Wrangler 4WD	77 = 93.4 WB	EPE = ENGINE - 2.5L POWER TECH I-4 Cyl.	DDD = TRANSMISSION - 5-SPEED HD MANUAL
L = SE	U = Wrangler 4WD (RHD)		ERH = ENGINE - 4.0L POWER TECH I-6	DDQ = TRANSMISSION - 5-SPEED MANUAL
P = Sahara				DGD = TRANSMISSION - 3-SPD. AUTOMATIC,30RH
				DGG = TRANSMISSION - 3-SPD. AUTOMATIC,32RH
				DG0 = All Automatic Transmissions
				DBB = All Manual Transmissions
				DD0 = All 5 Speed Manual Transmissions

AR = use ase required - = Non illustrated part

Panels, Body Side
Figure STJ-810



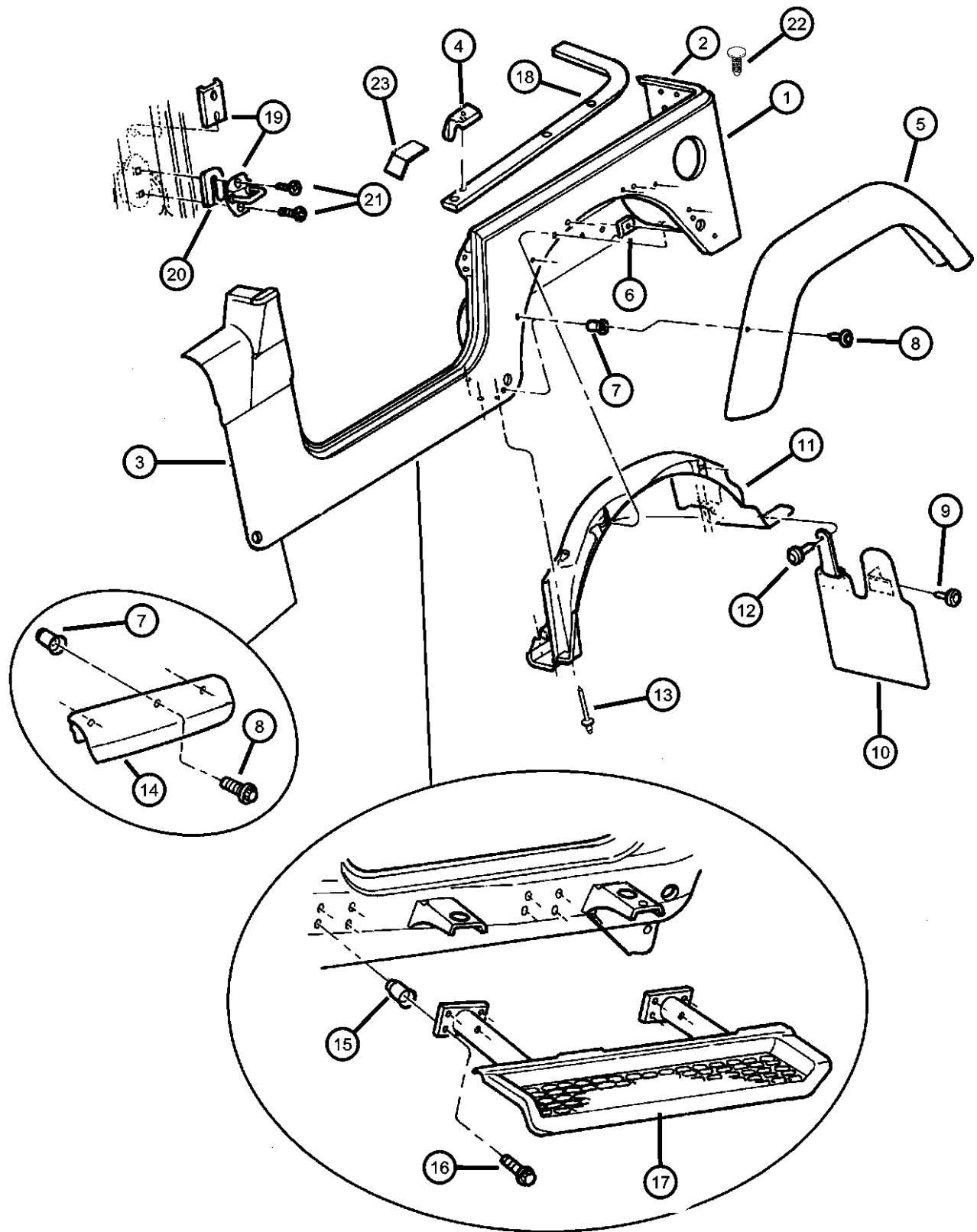
ITEM	PART NUMBER	QTY	LINE	SERIES	BODY	ENGINE	TRANS	TRIM	DESCRIPTION
10	55155696AA	1							SHIELD, Splash Right
	55155697AA	1							Left
11	55155632AB	1							SHIELD, Splash, Liner, Rear Wheelhouse Right
	55155633AB	1							Left
12	55155633AB	1							RIVET, (.250x.492), (NOT SERVICED)
13	06030441	10							PIN, Retainer
14	55254928	1							EXTENSION, Fender Black, Flat, SPORT, Right
	55254929	1							Black, Flat, SPORT, Left
	5DV12DX9	1							Black, Flat, SAHARA, Right
	5DV13DX9	1							Black, Flat, SAHARA, Left
15	06504397	14							NUT, M8-1.25
16	06501648	14							SCREW, Hex Flange Head, M8x1.25x25.00, Side Step STEP PAD, Side Step
17	55175158	1							Right
	55175159	1							Left
18	55175754AB	1							RETAINER, Belt Rail Right
	55175755AB	1							Left
19	04780259	2							STRIKER, Door
20	04520289	AR							SPACER, Door Latch Striker
	55075483	AR							2.0/2.5 Thick
21	06503120	4							SCREW AND WASHER, Button Head Torx, M8x1.25x39.50
22	06504662	4							RETAINER, Push On

WRANGLER (TJ)

SERIES	LINE	BODY	ENGINE	TRANSMISSION
H = Sport	J = Wrangler 4WD	77 = 93.4 WB	EPE = ENGINE - 2.5L POWER TECH I-4 Cyl.	DDD = TRANSMISSION - 5-SPEED HD MANUAL
L = SE	U = Wrangler 4WD (RHD)		ERH = ENGINE - 4.0L POWER TECH I-6	DDQ = TRANSMISSION - 5-SPEED MANUAL
P = Sahara				DGD = TRANSMISSION - 3-SPD. AUTOMATIC,30RH
				DGG = TRANSMISSION - 3-SPD. AUTOMATIC,32RH
				DG0 = All Automatic Transmissions
				DBB = All Manual Transmissions
				DD0 = All 5 Speed Manual Transmissions

AR = use ase required - = Non illustrated part

Panels, Body Side
Figure STJ-810



ITEM	PART NUMBER	QTY	LINE	SERIES	BODY	ENGINE	TRANS	TRIM	DESCRIPTION
------	-------------	-----	------	--------	------	--------	-------	------	-------------

23	06504662	4							
-24	55363274AA	1							

FOAM BLOCK, Upper B-Pillar,
(NOT REQUIRED)
LABEL, Mercury Warning, B Pillar
Below The Striker

WRANGLER (TJ)

SERIES	LINE
H = Sport	J = Wrangler 4WD
L = SE	U = Wrangler 4WD (RHD)
P = Sahara	

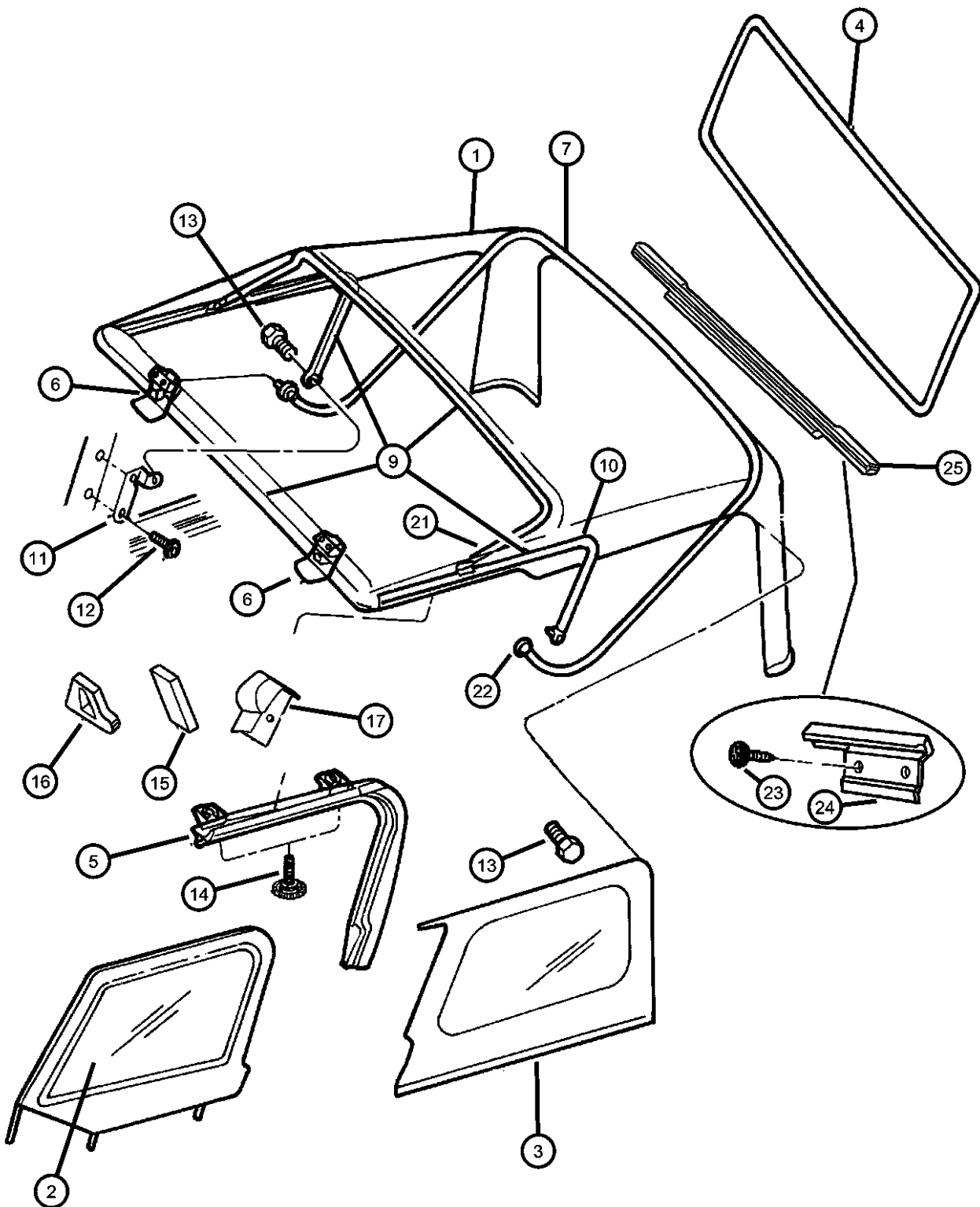
BODY
77 = 93.4 WB

ENGINE
EPE = ENGINE - 2.5L POWER TECH I-4 Cyl.
ERH = ENGINE - 4.0L POWER TECH I-6

TRANSMISSION
DDD = TRANSMISSION - 5-SPEED HD MANUAL
DDQ = TRANSMISSION - 5-SPEED MANUAL
DGD = TRANSMISSION - 3-SPD. AUTOMATIC,30RH
DGG = TRANSMISSION - 3-SPD. AUTOMATIC,32RH
DG0 = All Automatic Transmissions
DBB = All Manual Transmissions
DD0 = All 5 Speed Manual Transmissions

AR = use ase required - = Non illustrated part

Soft Top And Windows
Figure STJ-1110



ITEM	PART NUMBER	QTY	LINE	SERIES	BODY	ENGINE	TRANS	TRIM	DESCRIPTION
------	-------------	-----	------	--------	------	--------	-------	------	-------------

NOTE: Vehicles purchased with the Dual Top option [Hard Top & Soft Top Sales Code AEM] are shipped from the production plant with the kits containing the following parts:

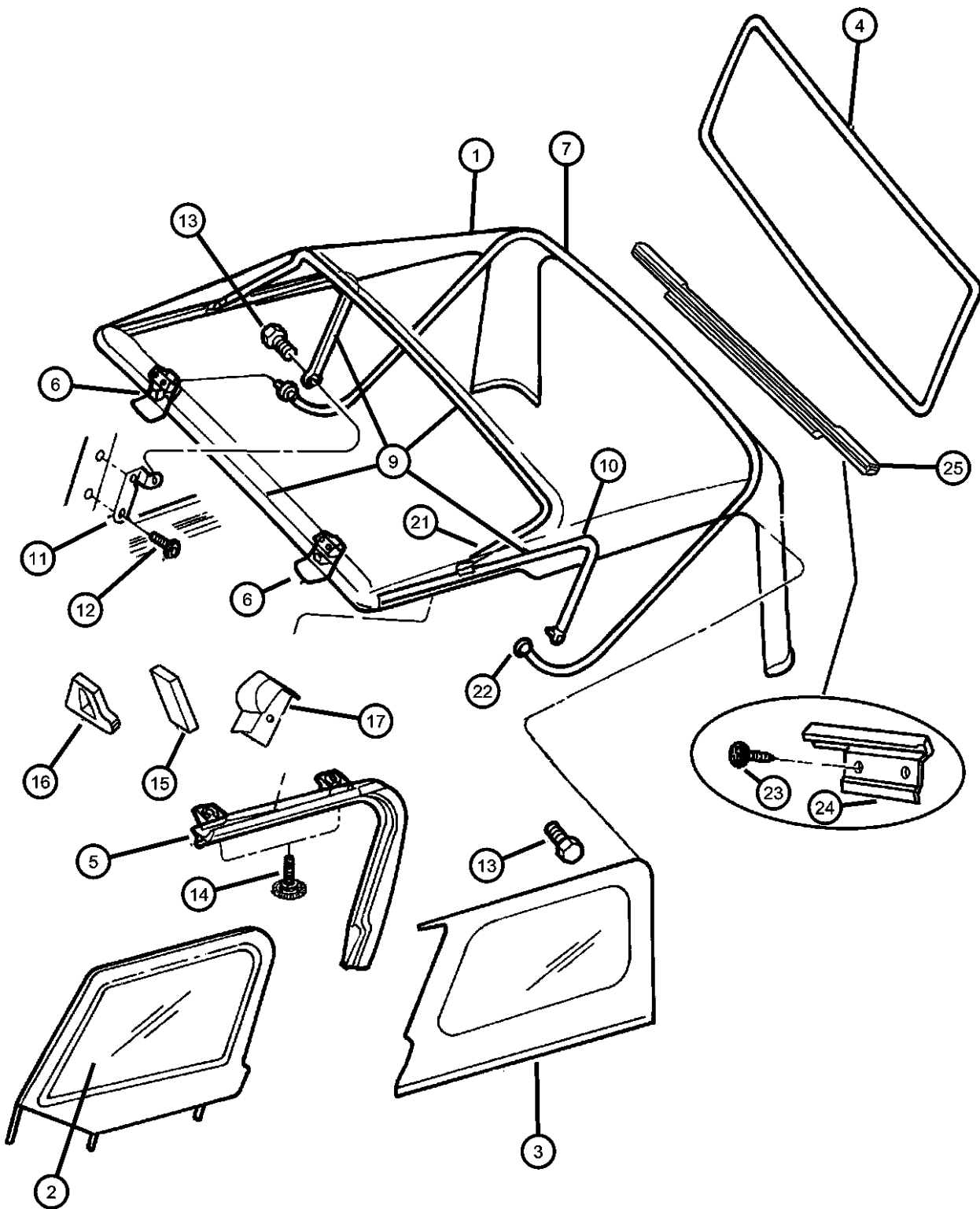
1	5FM99TW1AB	1							COVER, Soft Top
	5FM99TX7AB	1							White
	5FM99VK9AB	1							Black
									Tan
2	5FV23BX7AF	1							WINDOW, Half Door Soft Top
	5FV23SW1AF	1							Black, Left
	5FV23VK9AF	1							White, Left
	5FV22BX7AF	1							Tan, Left
	5FV22SW1AF	1							Black, Right
	5FV22VK9AF	1							White, Right
									Tan, Right
3	5EZ00BX7AB	1							WINDOW, Quarter
	5EZ00SW1AB	1							Black, Right
	5EZ01VK9AB	1							White, Right
	5EZ00VK9AB	1							Tan, Left
	5EZ01BX7AB	1							Tan, Right
	5EZ01SW1AB	1							Black, Left
									White, Left
4	5EZ03BX7AB	1							WINDOW, Tailgate
	5EZ03SW1AB	1							Black
	5EZ03VK9AB	1							White
									Tan
5	55175858AE	1							FRAME, Door Glass
	55175859AE	1							Right
									Left
6	55176287	2							LATCH AND BASE, Folding Top
7	55176442AB	1							BOW, Folding Top, Number 3
-8	04778470	1							SNAP KIT, Soft Top, Male, Soft Top Cover Attaching, Bow #3

WRANGLER (TJ)

SERIES	LINE	BODY	ENGINE	TRANSMISSION
H = Sport	J = Wrangler 4WD	77 = 93.4 WB	EPE = ENGINE - 2.5L POWER TECH I-4 Cyl.	DDD = TRANSMISSION - 5-SPEED HD MANUAL
L = SE	U = Wrangler 4WD (RHD)		ERH = ENGINE - 4.0L POWER TECH I-6	DDQ = TRANSMISSION - 5-SPEED MANUAL
P = Sahara				DGD = TRANSMISSION - 3-SPD. AUTOMATIC,30RH
				DGG = TRANSMISSION - 3-SPD. AUTOMATIC,32RH
				DG0 = All Automatic Transmissions
				DBB = All Manual Transmissions
				DD0 = All 5 Speed Manual Transmissions

AR = use ase required - = Non illustrated part

Soft Top And Windows
Figure STJ-1110



ITEM	PART NUMBER	QTY	LINE	SERIES	BODY	ENGINE	TRANS	TRIM	DESCRIPTION
9	04874281	1							BOW, Folding Top, Number 1, And Number 2, With Pivot, Includes Front Header
10	55176206	2							BUMPER, Rubber, Number 2 Bow Rest
11									BRACKET, Soft Top Bow 1 & 3
	55175802	1							Right
	55175803	1							Left
12	06503267	4							SCREW, Round Head, M6x1x25
13	06035797	4							SCREW, Shoulder, .190-24x.625
14	55176198	4							PIN, Release Lever
15	55176198	4							SEAL, Door, Also Serviced in Frame Door Glass, (NOT SERVICED)
16									SEAL, A-Pillar Blocker
	55176714AA	1							Right
	55176715AA	1							Left
17									SEAL, Header Top And Side Rail
	55176722AC	1							Right
	55176723AC	1							Left
-18	55176444	1							STRAP, Retaining, 2 Bow to 3 Bow Connect
-19	04897190AA	1							PULL STRAP KIT, Attaches to Zipper Pull, Contains 5 Straps
-20									BOOT, Folding Top
	5FZ85SW1AA	1							White
	5FZ85VK9AA	1							Tan
	5FZ85BX7AA	1							Black
21	55175813	2							KNUCKLE, Rear
22	55176064	2							KNUCKLE, Rear
23	55176064	2							SCREW AND WASHER, [.164-18x.625], (NOT SERVICED)
24									CLIP, Tailgate Opening
	55176738AA	1							Right

WRANGLER (TJ)

SERIES LINE
H = Sport J = Wrangler 4WD
L = SE U = Wrangler 4WD (RHD)
P = Sahara

BODY
77 = 93.4 WB

ENGINE
EPE = ENGINE - 2.5L POWER TECH I-4 Cyl.
ERH = ENGINE - 4.0L POWER TECH I-6

TRANSMISSION
DDD = TRANSMISSION - 5-SPEED HD MANUAL
DDQ = TRANSMISSION - 5-SPEED MANUAL
DGD = TRANSMISSION - 3-SPD. AUTOMATIC,30RH
DGG = TRANSMISSION - 3-SPD. AUTOMATIC,32RH
DGO = All Automatic Transmissions
DBB = All Manual Transmissions
DDO = All 5 Speed Manual Transmissions

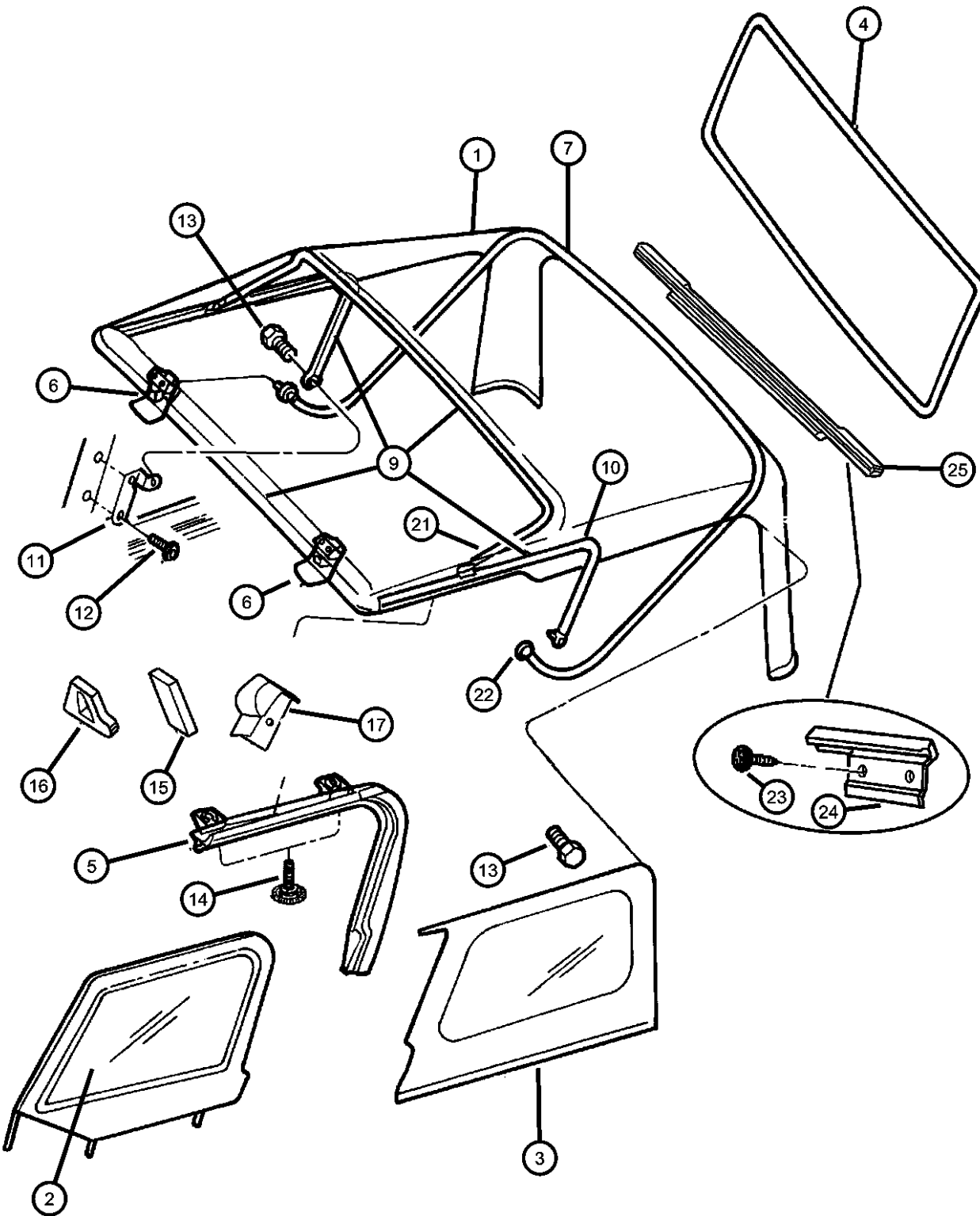
AR = use ase required - = Non illustrated part

2000 TJ

Soft Top And Windows
Figure STJ-1110

ITEM	PART NUMBER	QTY	LINE	SERIES	BODY	ENGINE	TRANS	TRIM	DESCRIPTION
------	-------------	-----	------	--------	------	--------	-------	------	-------------

	55176739AA	1							Left
25	55176736AB	1							RETAINER, Soft Top Rail
-26	55177245AA	1							TOOL, Wrench, Torx



WRANGLER (TJ)

SERIES LINE
 H = Sport J = Wrangler 4WD
 L = SE U = Wrangler 4WD (RHD)
 P = Sahara

BODY
 77 = 93.4 WB

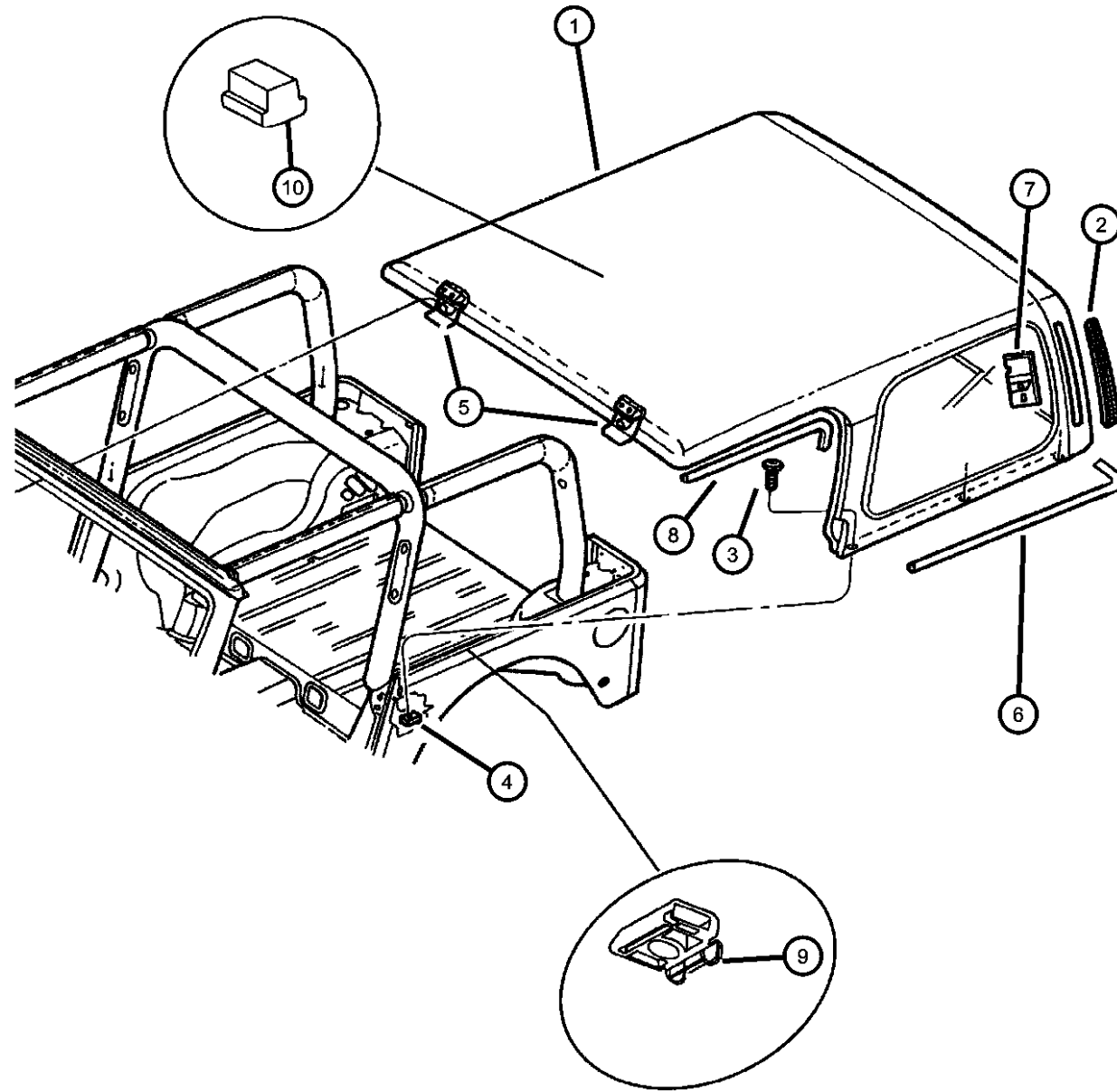
ENGINE
 EPE = ENGINE - 2.5L POWER
 TECH I-4 Cyl.
 ERH = ENGINE - 4.0L
 POWER TECH I-6

TRANSMISSION
 DDD = TRANSMISSION - 5-SPEED
 HD MANUAL
 DDQ = TRANSMISSION - 5-SPEED
 MANUAL
 DGD = TRANSMISSION - 3-SPD.
 AUTOMATIC,30RH
 DGG = TRANSMISSION - 3-SPD.
 AUTOMATIC,32RH
 DG0 = All Automatic Transmissions
 DBB = All Manual Transmissions
 DD0 = All 5 Speed Manual
 Transmissions

AR = use ase required - = Non illustrated part

2000 TJ

Top Enclosure, Hard
Figure STJ-1120



ITEM	PART NUMBER	QTY	LINE	SERIES	BODY	ENGINE	TRANS	TRIM	DESCRIPTION
1	5GN27BX7AB	1							HARDTOP, Shell Only Black
	5GN27SW1AB	1							White
	5GN27VK9AB	1							Tan
2	55036306	1							EXHAUSTER, Front Door Right
	55036307	1							Left
3	06035627	4							SCREW AND WASHER, Truss Head, .312-18x1.12
4	06036084AA	6							NUT, .312-18
5	55175816	2							LATCH AND BASE, Folding Top
6	55176372AB	1							SEAL, Enclosure To Body Right
	55176373AB	1							Left
7	55176190	1							COVER, Wiring Protector
8	55176190	1							MOLDING, Door Window Opening, (NOT REQUIRED)
9	55176746AB	4							RETAINER, Folding Top Deck Closure
10	55176466	2							BUMPER, Upper Slam
-11	55177489AA	1							ISOLATOR, FOAM
-12	55177245AA	1							TOOL, Wrench

WRANGLER (TJ)

SERIES LINE
H = Sport J = Wrangler 4WD
L = SE U = Wrangler 4WD (RHD)
P = Sahara

BODY
77 = 93.4 WB

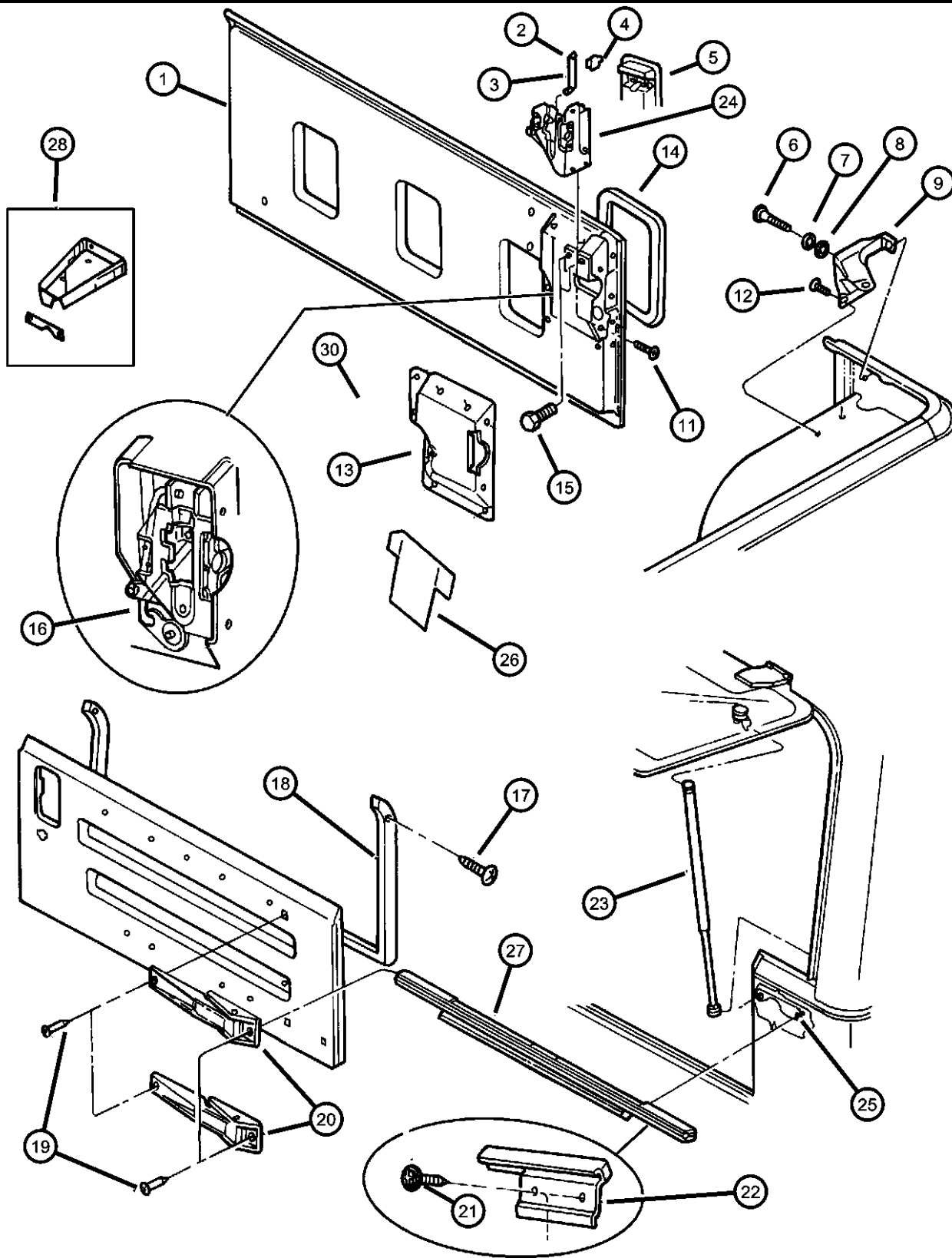
ENGINE
EPE = ENGINE - 2.5L POWER
TECH I-4 Cyl.
ERH = ENGINE - 4.0L
POWER TECH I-6

TRANSMISSION
DDD = TRANSMISSION - 5-SPEED
HD MANUAL
DDQ = TRANSMISSION - 5-SPEED
MANUAL
DGD = TRANSMISSION - 3-SPD.
AUTOMATIC,30RH
DGG = TRANSMISSION - 3-SPD.
AUTOMATIC,32RH
DGO = All Automatic Transmissions
DBB = All Manual Transmissions
DDO = All 5 Speed Manual
Transmissions

AR = use ase required - = Non illustrated part

2000 TJ

Tailgate
Figure STJ-1310



ITEM	PART NUMBER	QTY	LINE	SERIES	BODY	ENGINE	TRANS	TRIM	DESCRIPTION
1	55176340AC	1							TAILGATE
2	55008127AB	1							ROD, Tailgate Handle to Latch
3	55008127AB	1							SLEEVE, Anti-Rattle, Handle to Latch Rod, (NOT SERVICED)
4	04658677	1							CLIP, Latch Link
5	55176547	1							HANDLE, Liftgate
6	55177243AB	1							PIN, Latch Striker
7	55033620	AR							WASHER, Flat, .490x1.14x.060
8	55074800	AR							WASHER, Striker Latch
9	55176450AD	1							BRACKET, Tailgate Striker
-10	J4006303	2							RIVET, Dome Head Blind, .125x.275
11	J4007536	3							SCREW AND WASHER, Tapping, .312-18x.120
12	06505070AA	4							SCREW, Pan Head
13	55176533AC	1							COVER, Tailgate Latch
14	J3743608	1							SEAL, Handle, Outside Door Handle
15	06034980	2							SCREW, Pan Head, .19-24x.437
16	55076011	1							LINK, Key Cylinder To Latch
17	55076011	1							SCREW, .164-18x.625, (NOT SERVICED)
18	55175043AC	1							WEATHERSEAL, Tailgate
19	06035493	8							SCREW
20	55075567	2							HINGE, Tailgate
21	55075567	2							SCREW AND WASHER, .164-18x.625, (NOT SERVICED)
22									CLIP, Tailgate Opening
	55176738AA	1							Right
	55176739AA	1							Left
23	55076310AB	2							PROP, Liftgate
	G0004249								Mopar V-Line Alternative Part
24	55074947AC	1							LATCH, Tailgate
25	55176615	2							PLATE, Tailgate Latch

WRANGLER (TJ)

SERIES LINE
H = Sport J = Wrangler 4WD
L = SE U = Wrangler 4WD (RHD)
P = Sahara

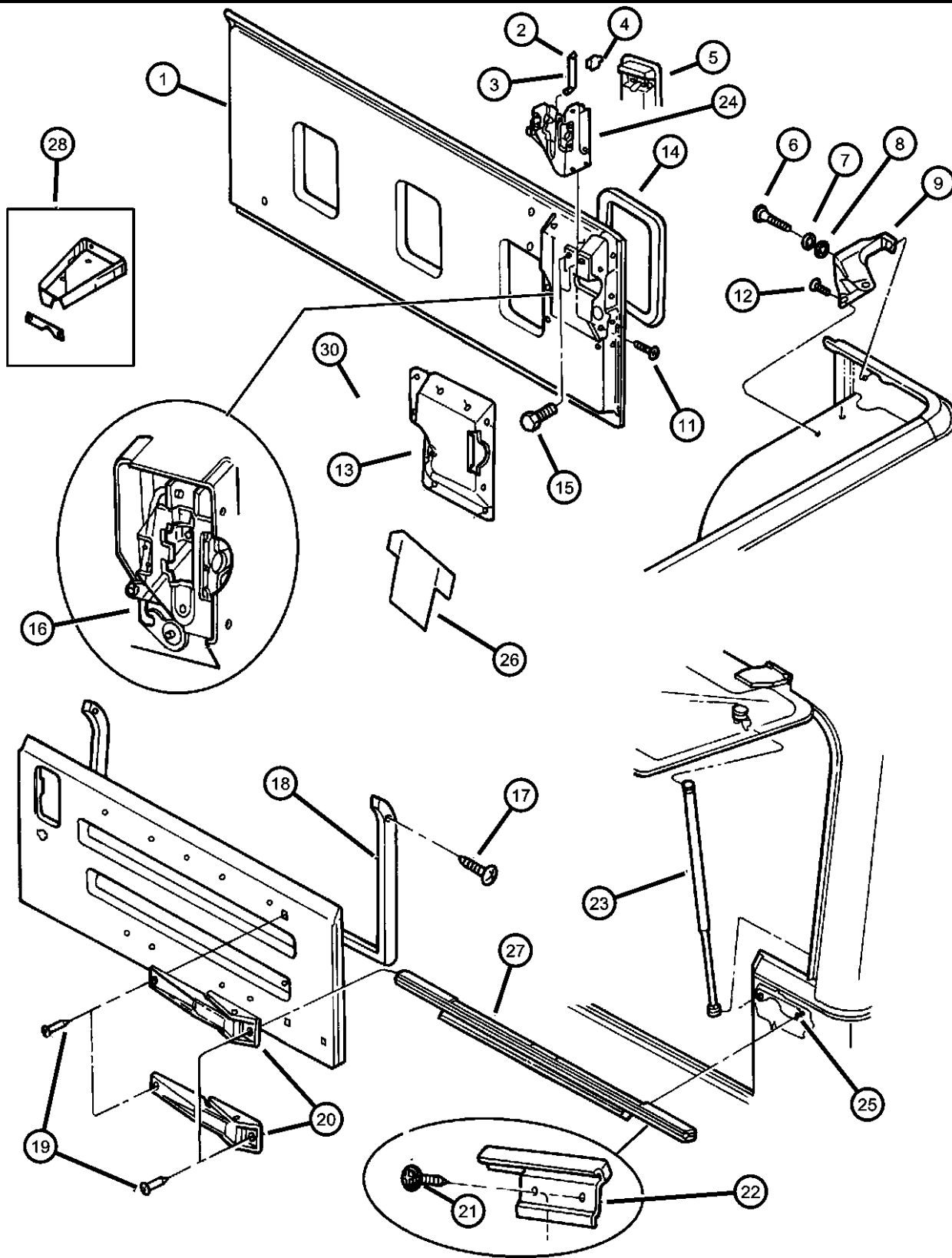
BODY
77 = 93.4 WB

ENGINE
EPE = ENGINE - 2.5L POWER TECH I-4 Cyl.
ERH = ENGINE - 4.0L POWER TECH I-6

TRANSMISSION
DDD = TRANSMISSION - 5-SPEED HD MANUAL
DDQ = TRANSMISSION - 5-SPEED MANUAL
DGD = TRANSMISSION - 3-SPD. AUTOMATIC,30RH
DGG = TRANSMISSION - 3-SPD. AUTOMATIC,32RH
DGO = All Automatic Transmissions
DBB = All Manual Transmissions
DD0 = All 5 Speed Manual Transmissions

AR = use ase required - = Non illustrated part

Tailgate
Figure STJ-1310



ITEM	PART NUMBER	QTY	LINE	SERIES	BODY	ENGINE	TRANS	TRIM	DESCRIPTION
26	55025280	1							WATERSHIELD, Tailgate Latch
27	55176736AB	1							RETAINER, Soft Top Rail
28	55175668	1							REINFORCEMENT, Tailgate Hinge
-29	J4004455	1							SCREW AND WASHER, Hex Head, .312-18x1.12
30	06505167AA	7							SCREW, Pan Head, M6x1x16

WRANGLER (TJ)

SERIES	LINE
H = Sport	J = Wrangler 4WD
L = SE	U = Wrangler 4WD (RHD)
P = Sahara	

BODY
77 = 93.4 WB

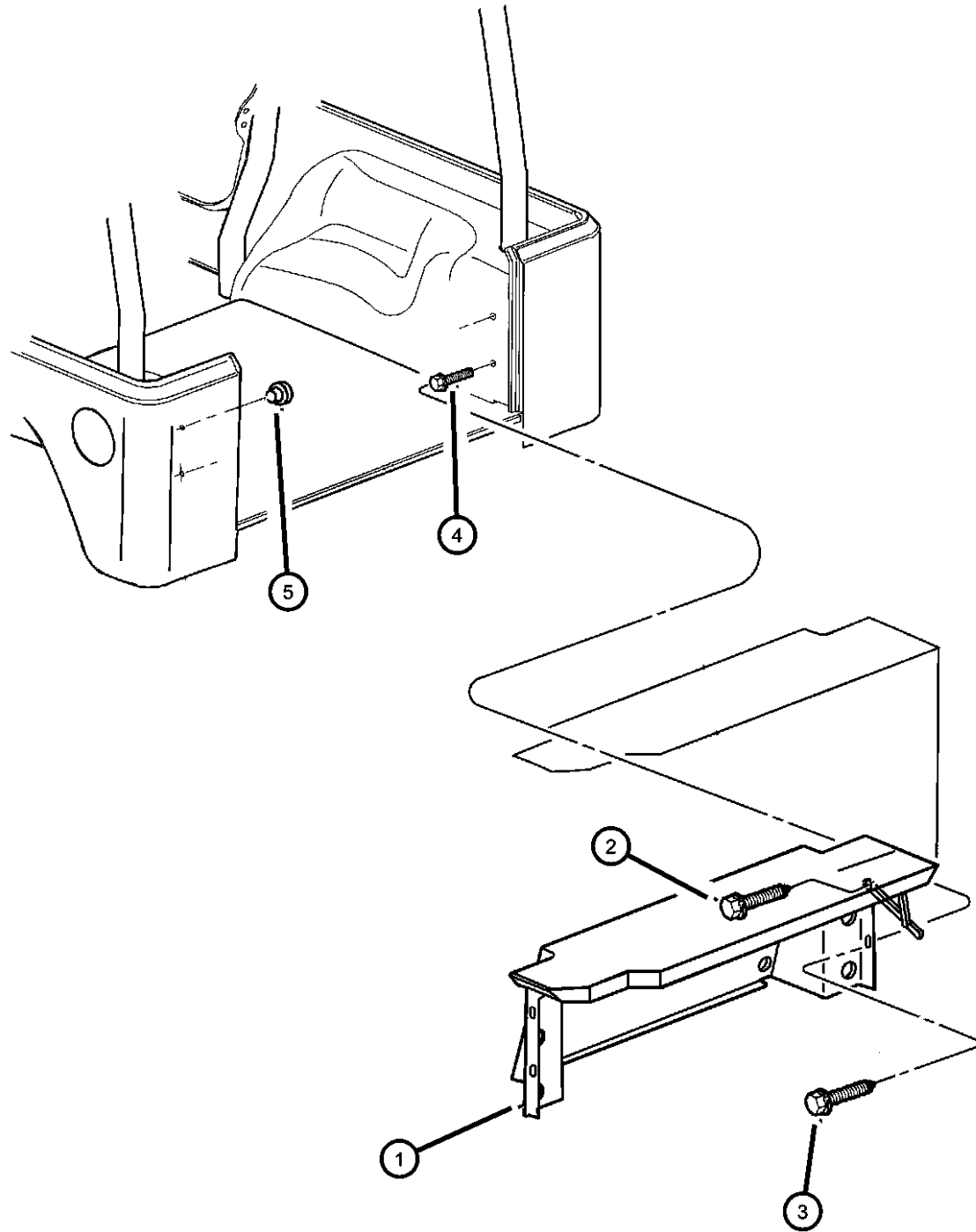
ENGINE
EPE = ENGINE - 2.5L POWER TECH I-4 Cyl.
ERH = ENGINE - 4.0L POWER TECH I-6

TRANSMISSION
DDD = TRANSMISSION - 5-SPEED HD MANUAL
DDQ = TRANSMISSION - 5-SPEED MANUAL
DGD = TRANSMISSION - 3-SPD. AUTOMATIC,30RH
DGG = TRANSMISSION - 3-SPD. AUTOMATIC,32RH
DG0 = All Automatic Transmissions
DBB = All Manual Transmissions
DD0 = All 5 Speed Manual Transmissions

AR = use ase required - = Non illustrated part

**Add-a-Trunk
Figure STJ-1320**

ITEM	PART NUMBER	QTY	LINE	SERIES	BODY	ENGINE	TRANS	TRIM	DESCRIPTION
1									PANEL, Add A Trunk
	5FV251AZAC	1							Agate
	5FV251K9AC	1							Tan
2	55216140	1							THUMBSCREW, M6x1-17
3	06101719	3							SCREW AND WASHER, Tapping, M6-1.0x20.0
4	06503245	4							NUT/RIVET, Cooler To Closure Panel, M6x1.00
5	06503245	4							PLUG, (NOT SERVICED)



WRANGLER (TJ)

SERIES	LINE
H = Sport	J = Wrangler 4WD
L = SE	U = Wrangler 4WD (RHD)
P = Sahara	

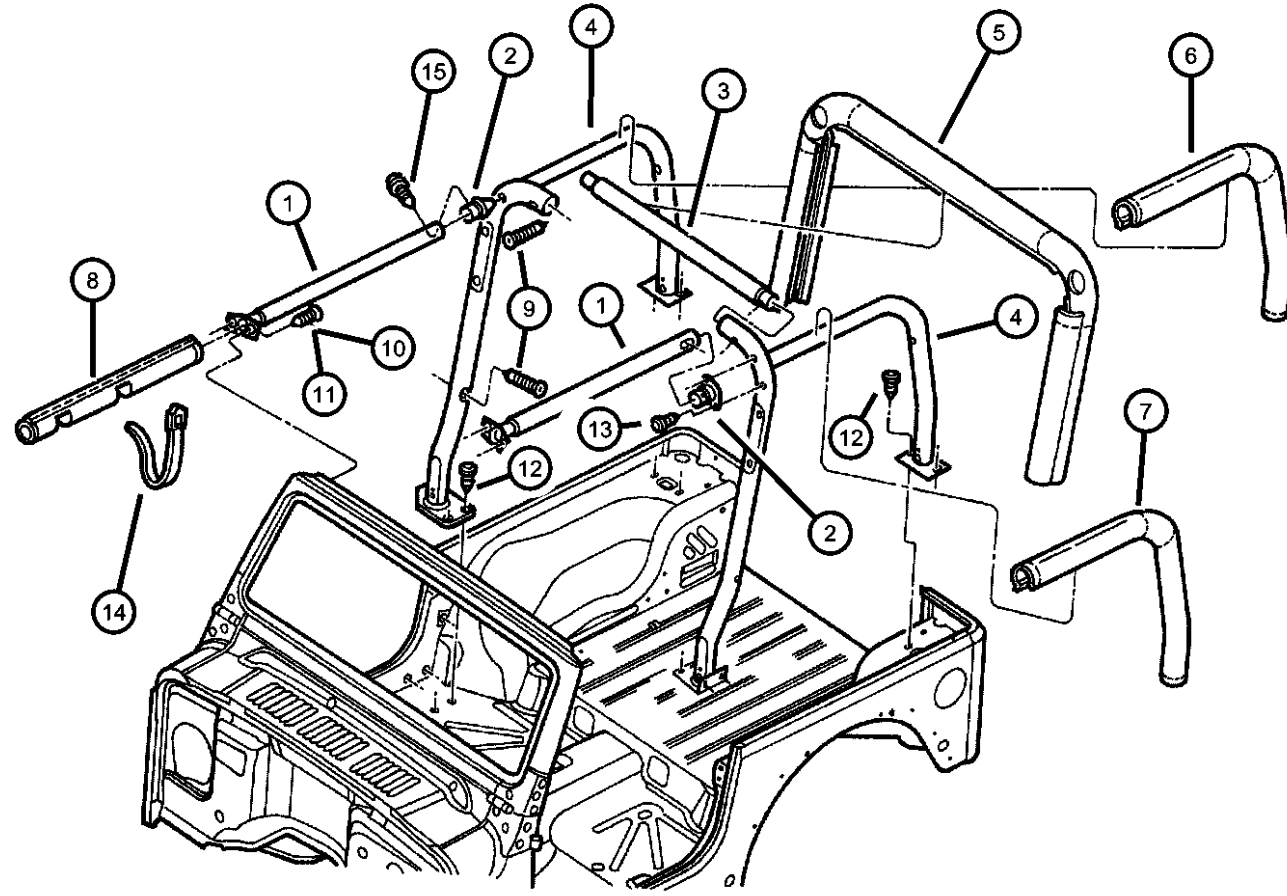
BODY
77 = 93.4 WB

ENGINE
EPE = ENGINE - 2.5L POWER
TECH I-4 Cyl.
ERH = ENGINE - 4.0L
POWER TECH I-6

TRANSMISSION
DDD = TRANSMISSION - 5-SPEED
HD MANUAL
DDQ = TRANSMISSION - 5-SPEED
MANUAL
DGD = TRANSMISSION - 3-SPD.
AUTOMATIC,30RH
DGG = TRANSMISSION - 3-SPD.
AUTOMATIC,32RH
DG0 = All Automatic Transmissions
DBB = All Manual Transmissions
DD0 = All 5 Speed Manual
Transmissions

AR = use ase required - = Non illustrated part

**Sport Bar Wrangler
Figure STJ-1610**



ITEM	PART NUMBER	QTY	LINE	SERIES	BODY	ENGINE	TRANS	TRIM	DESCRIPTION
1	55176504AD	1							SIDE BAR, Sport Bar Right
	55176505AD	1							Left
2	55176506	1							BRACKET, Side Right
	55176507	1							Left
3	55176022	1							BAR, Sport, Center
4	55176488	1							BAR, Sport Right
	55176489	1							Left
5	5FU79LAZAC	1							PAD, Sport Bar, Center Agate
	5FU79RK5AC	1							Camel
	5GA16LAZAB	1							Agate, Export
6	5FU81LAZ	1							PAD, Sport Bar, Right Agate, Without Speakers
	5FV08LAZ	1							Agate, With Speakers
	5FV08RK5	1							Camel, With Speakers
	5GA17LAZAA	1							Agate, Without Speakers, Export
7	5FU83LAZ	1							PAD, Sport Bar, Left Agate, Without Speakers
	5FV09LAZ	1							Agate, With Speakers
	5FV09RK5	1							Camel, With Speakers
	5GA18LAZAA	1							Agate, Without Speakers, Export
8	5EH59RK5	2							COVER, Side Bar Camel
	5EH59TAZ	2							Agate
9	06035970AA	2							SCREW, Pan Head
10	06035970AA	2							SCREW, (NOT REQUIRED)
11	06504050	4							SCREW, M8x1.25x25

WRANGLER (TJ)

SERIES LINE
H = Sport J = Wrangler 4WD
L = SE U = Wrangler 4WD (RHD)
P = Sahara

BODY
77 = 93.4 WB

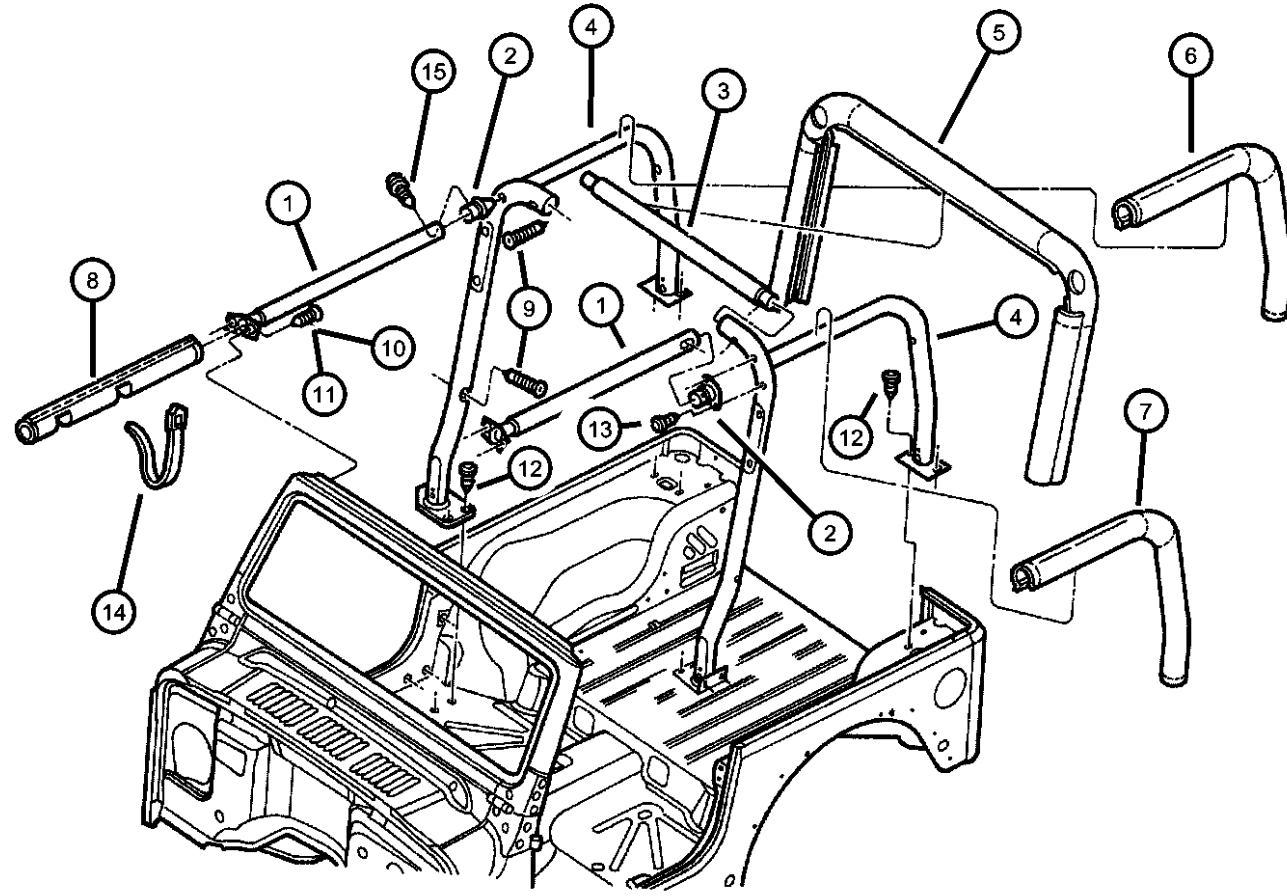
ENGINE
EPE = ENGINE - 2.5L POWER
TECH I-4 Cyl.
ERH = ENGINE - 4.0L
POWER TECH I-6

TRANSMISSION
DDD = TRANSMISSION - 5-SPEED
HD MANUAL
DDQ = TRANSMISSION - 5-SPEED
MANUAL
DGD = TRANSMISSION - 3-SPD.
AUTOMATIC,30RH
DGG = TRANSMISSION - 3-SPD.
AUTOMATIC,32RH
DG0 = All Automatic Transmissions
DBB = All Manual Transmissions
DD0 = All 5 Speed Manual
Transmissions

AR = use ase required - = Non illustrated part

2000 TJ

**Sport Bar Wrangler
Figure STJ-1610**



ITEM	PART NUMBER	QTY	LINE	SERIES	BODY	ENGINE	TRANS	TRIM	DESCRIPTION
12	06035935AA	12							SCREW AND WASHER
13	06035935AA	12							SCREW, M8x1.25x30, (NOT SERVICED)
14	55015916	5							STRAP, Side Bar Hold Down
15	06035970AA	2							SCREW, Pan Head, .437-20x1.150
-16	5FC98LAZAB	1							SHIELD, Sport Bar
-17	06035912	4							NUT, Snap In, .164-18
-18	06504665	4							PLUG, Push Lock

WRANGLER (TJ)

SERIES LINE
H = Sport J = Wrangler 4WD
L = SE U = Wrangler 4WD (RHD)
P = Sahara

BODY
77 = 93.4 WB

ENGINE
EPE = ENGINE - 2.5L POWER TECH I-4 Cyl.
ERH = ENGINE - 4.0L POWER TECH I-6

TRANSMISSION
DDD = TRANSMISSION - 5-SPEED HD MANUAL
DDQ = TRANSMISSION - 5-SPEED MANUAL
DGD = TRANSMISSION - 3-SPD. AUTOMATIC,30RH
DGG = TRANSMISSION - 3-SPD. AUTOMATIC,32RH
DG0 = All Automatic Transmissions
DBB = All Manual Transmissions
DD0 = All 5 Speed Manual Transmissions

AR = use ase required - = Non illustrated part